

[54] **TRICYCLE HAVING A PASSENGER CARRIER**

[75] **Inventor: Louellen A. Berger, New Orleans, La.**

[73] **Assignee: Sibling Cycle, Inc., New Orleans, La.**

[\*\*] **Term: 14 Years**

[21] **Appl. No.: 675,708**

[22] **Filed: Nov. 28, 1984**

[52] **U.S. Cl. .... D12/112**

[58] **Field of Search .... D12/112, 16, 85; 280/282, 202**

[56] **References Cited**

**U.S. PATENT DOCUMENTS**

- D. 242,439 11/1976 Gervais ..... D12/85
- D. 268,923 5/1983 Mann ..... D12/112
- D. 280,890 10/1985 Trudo et al. .... D12/112

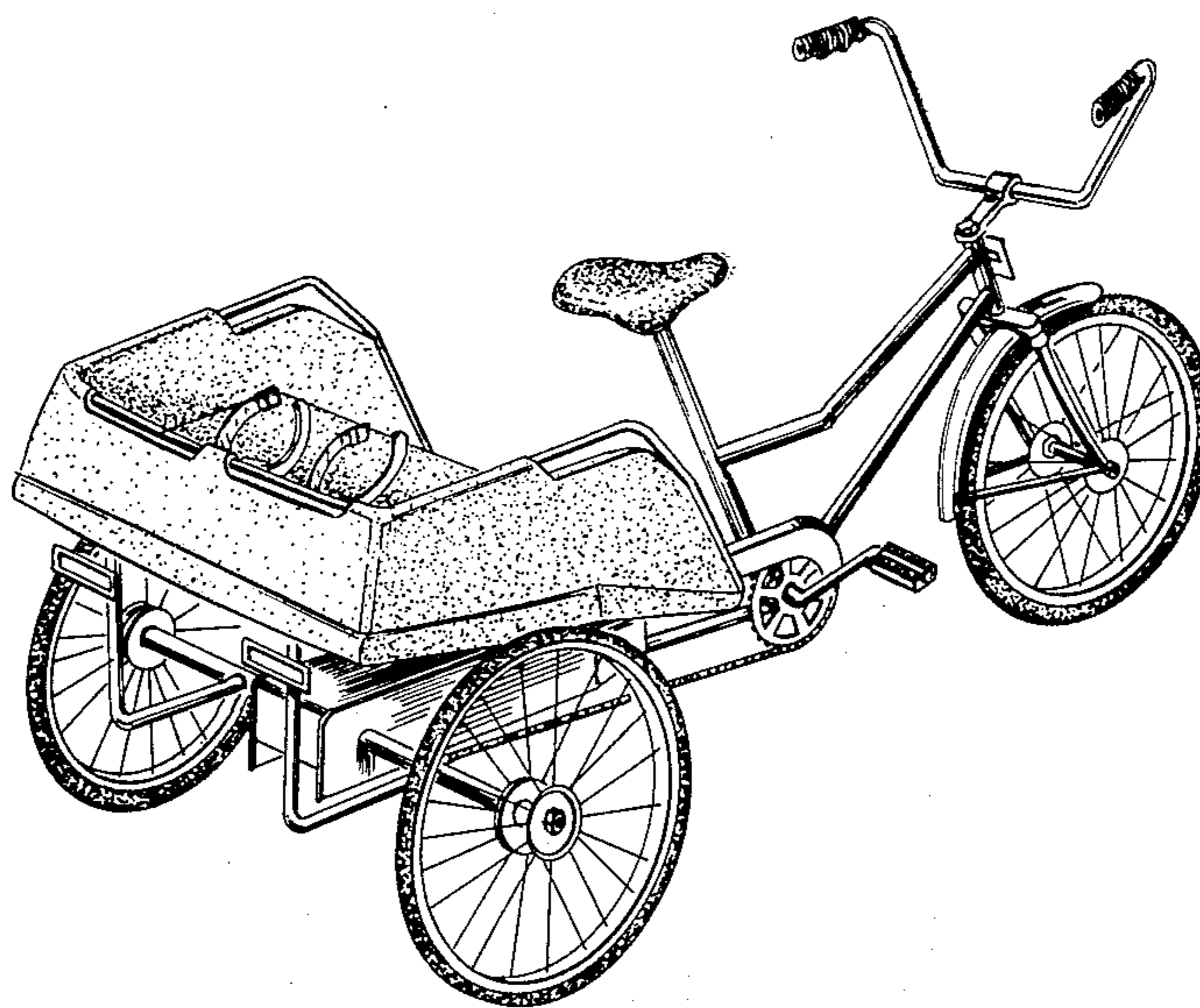
*Primary Examiner*—James M. Gandy  
*Attorney, Agent, or Firm*—Keaty & Keaty

[57] **CLAIM**

The ornamental design for a tricycle having a passenger carrier, as shown.

**DESCRIPTION**

FIG. 1 is a perspective view of a tricycle having a passenger carrier showing my new design; FIG. 2 is a rear elevational view thereof; FIG. 3 is a top plan view thereof; and FIG. 4 is a side elevational view thereof.



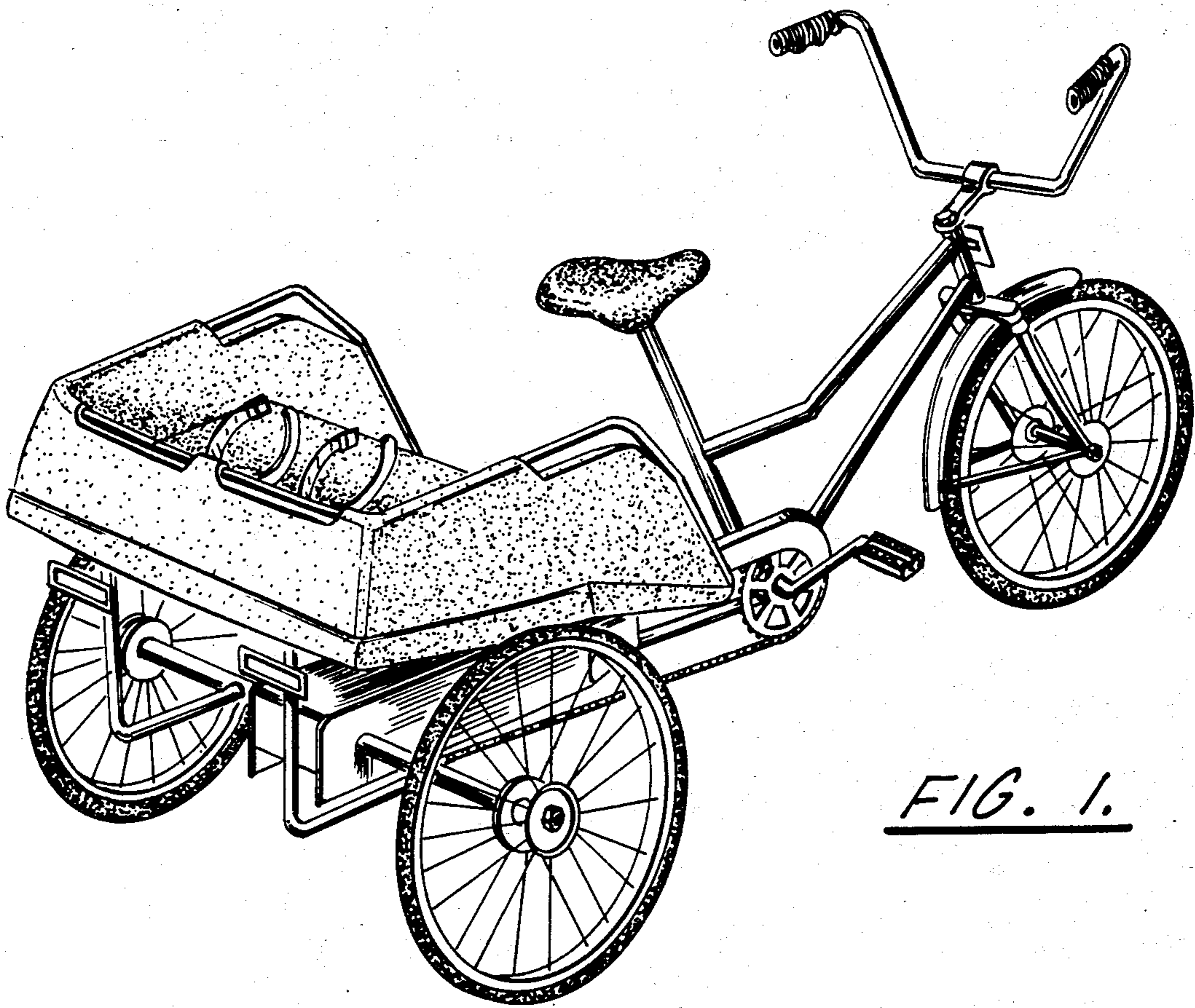


FIG. 1.

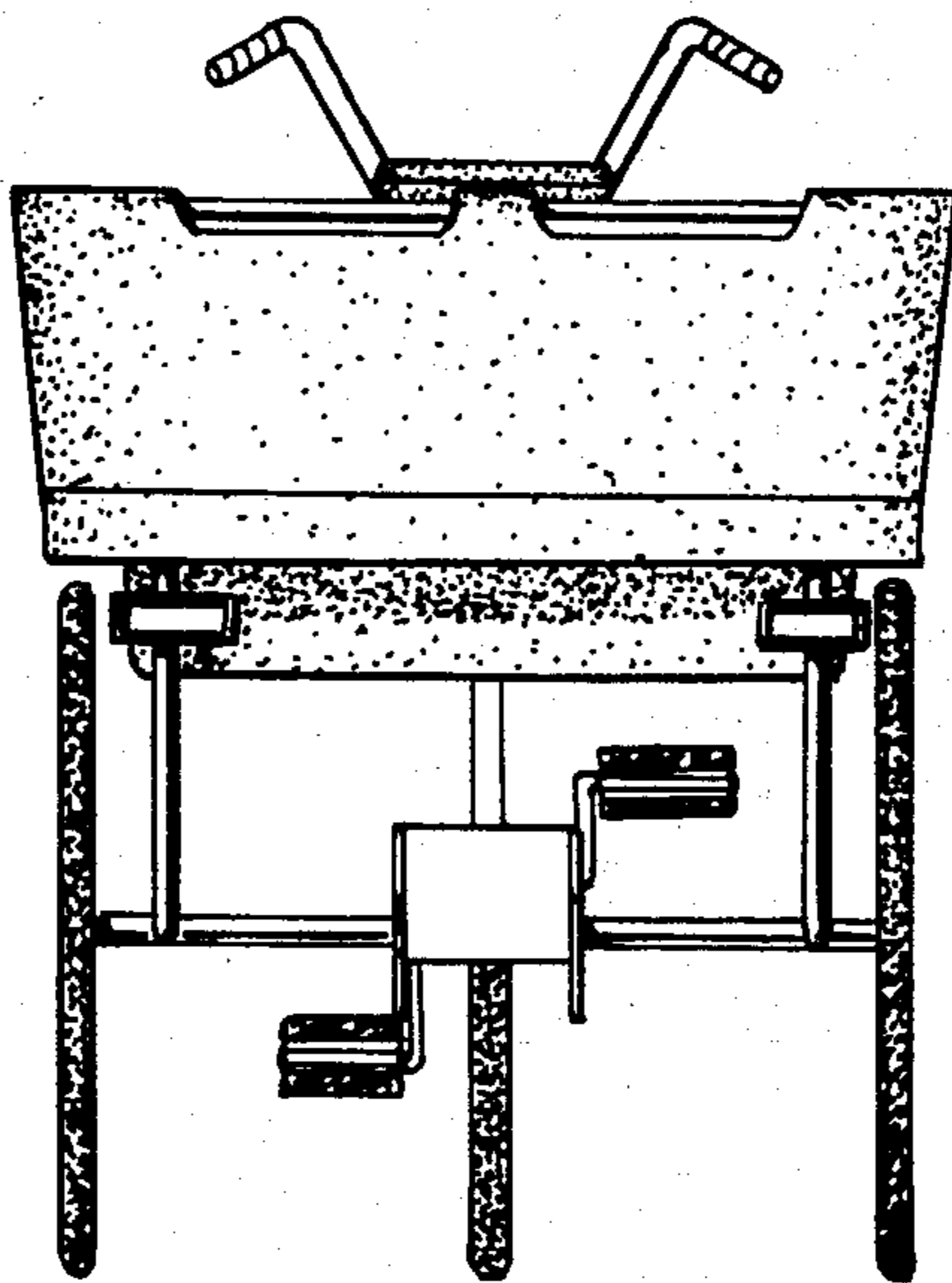


FIG. 2.

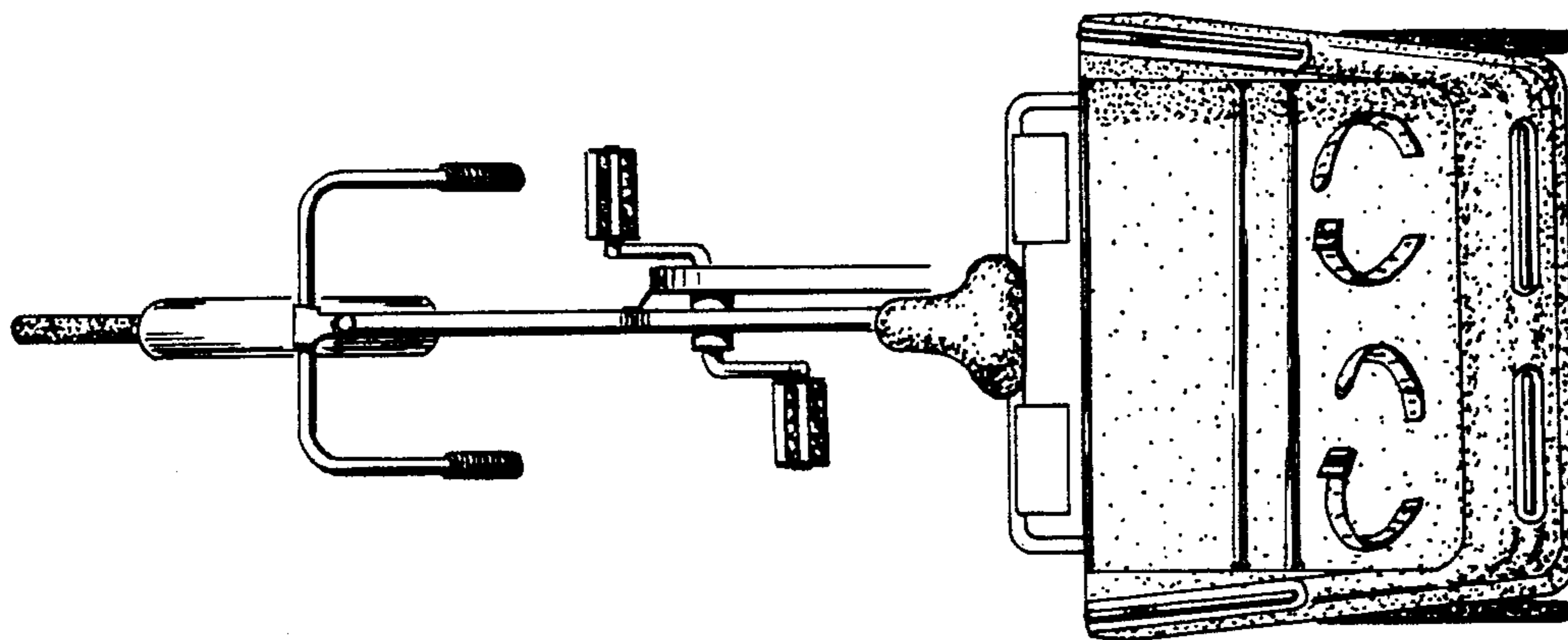


FIG. 3.

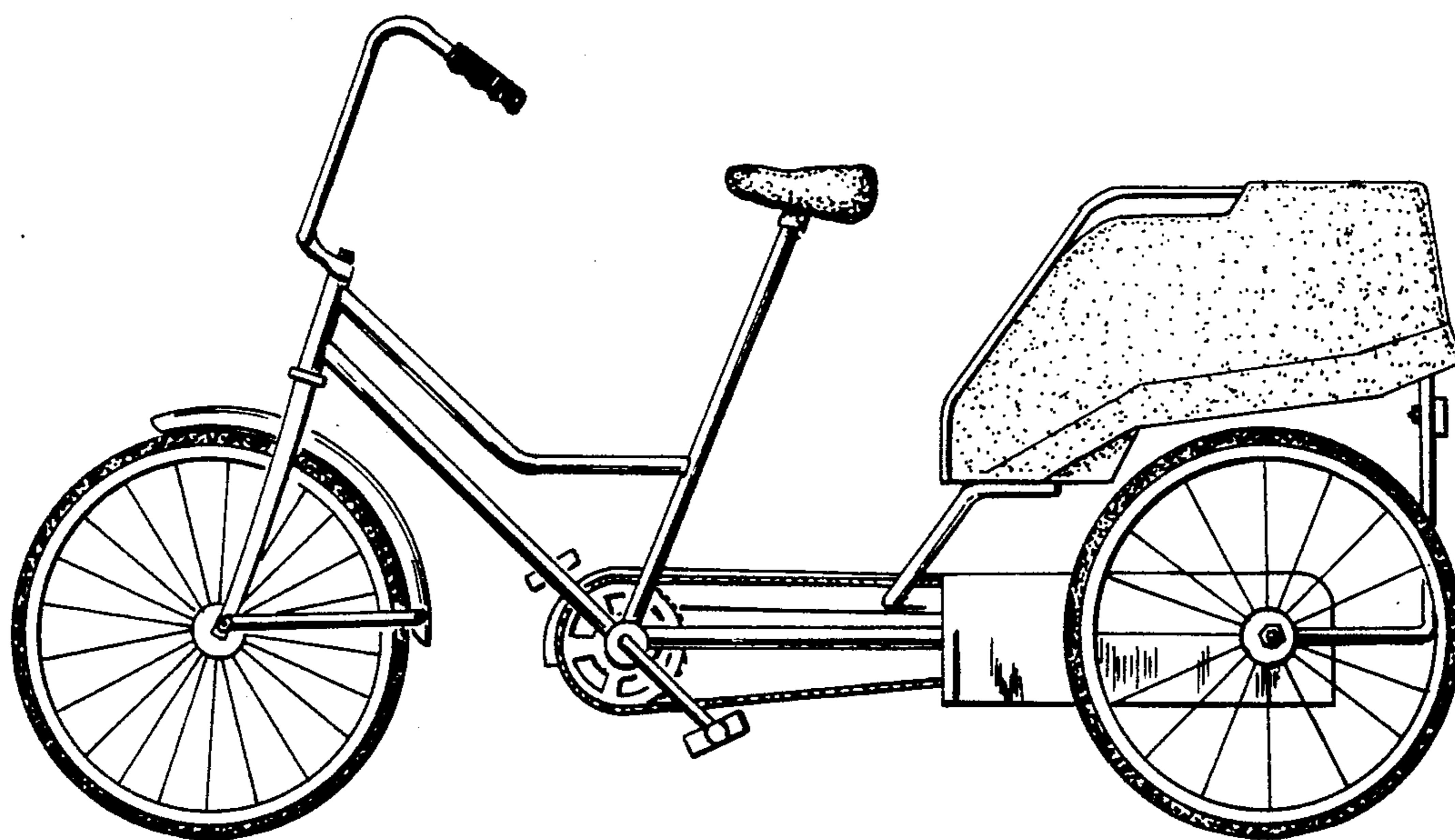


FIG. 4.