

[54] **TRICYCLE**

[75] **Inventor: Ray C. Phinney, East Aurora, N.Y.**

[73] **Assignee: The Quaker Oats Company, Chicago, Ill.**

[\*\*] **Term: 14 Years**

[21] **Appl. No.: 693,775**

[22] **Filed: Jan. 23, 1985**

[52] **U.S. Cl. .... D12/112**

[58] **Field of Search ..... D12/112, 110, 108; D21/80, 76; 280/282; 296/177**

[56] **References Cited**

**U.S. PATENT DOCUMENTS**

- D. 231,004 3/1974 Brightbill ..... D12/112
- D. 271,594 11/1983 Mercurio et al. .... D12/112
- D. 281,793 12/1985 Harrod ..... D12/110

**OTHER PUBLICATIONS**

1984/1985 Best Catalog, p. 412, Tomy Mighty Minicycle 13, lower right side of page.

*Primary Examiner*—James M. Gandy  
*Attorney, Agent, or Firm*—Cumpston & Shaw

[57] **CLAIM**

The ornamental design for a tricycle, as shown and described.

**DESCRIPTION**

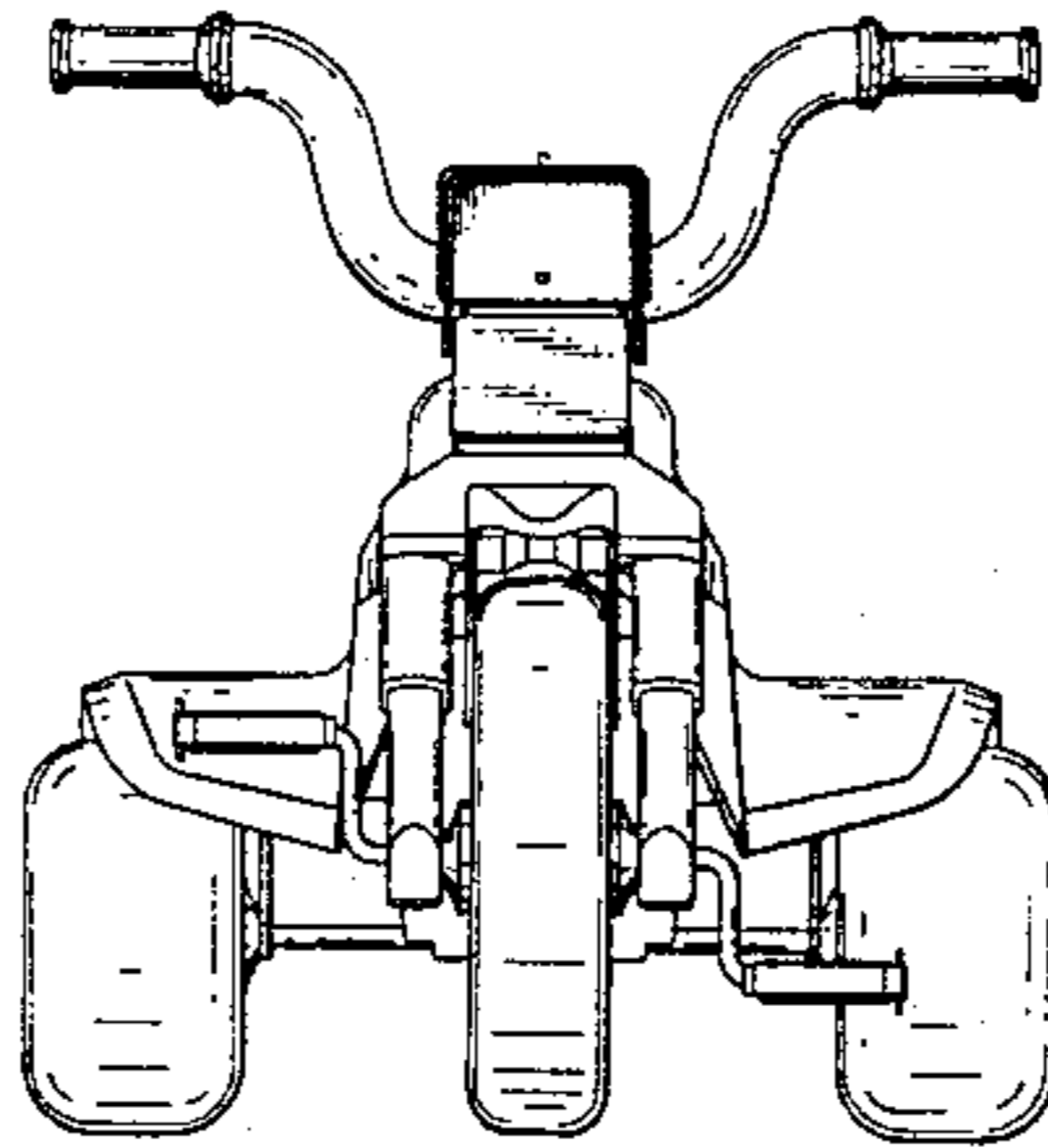
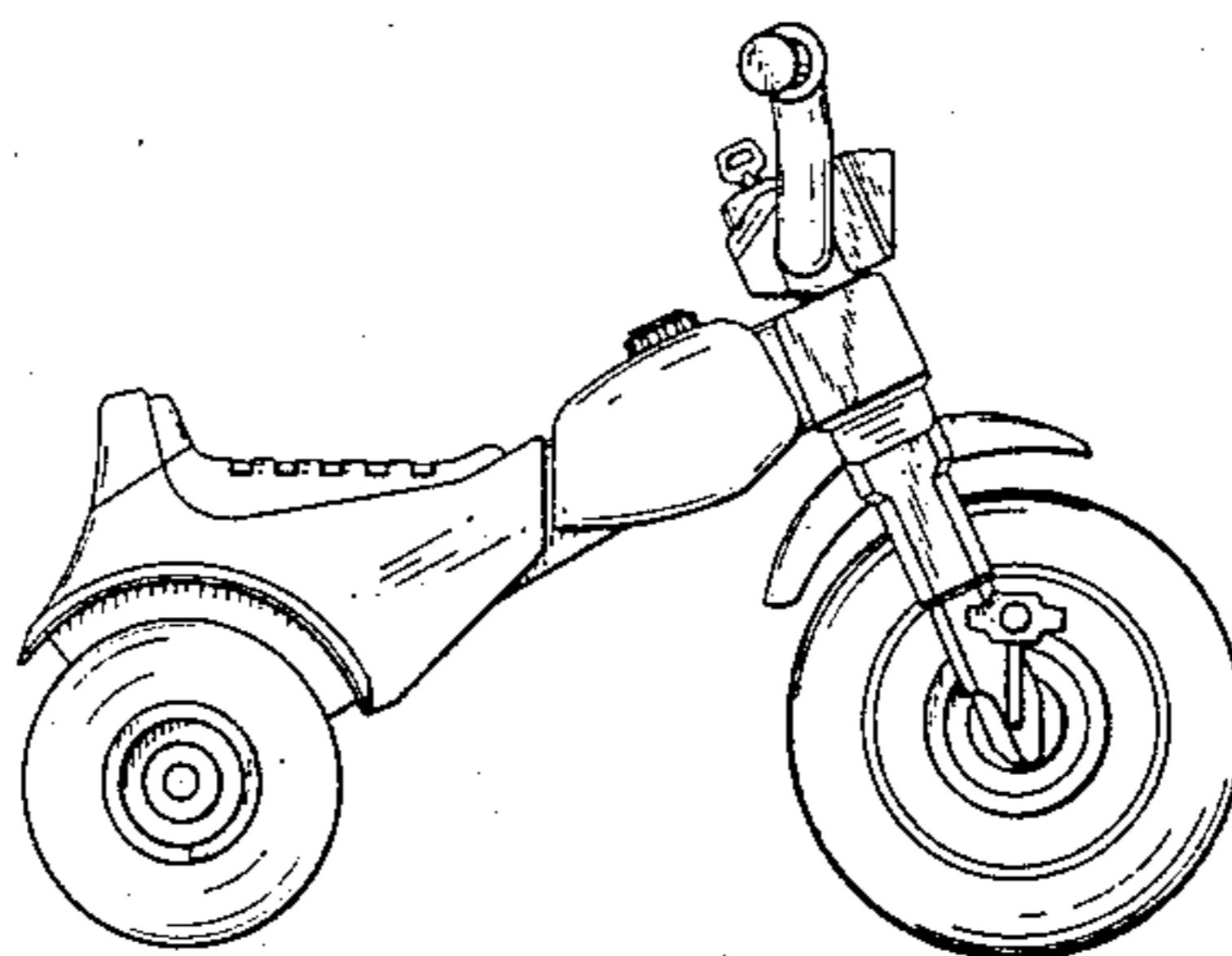
FIG. 1 right-side elevational view of a tricycle showing my new design, the left side being a mirror image thereof;

FIG. 2 is a front elevational view thereof;

FIG. 3 is a top plan view thereof;

FIG. 4 is a rear elevational view thereof; and

FIG. 5 is a bottom plan view thereof.



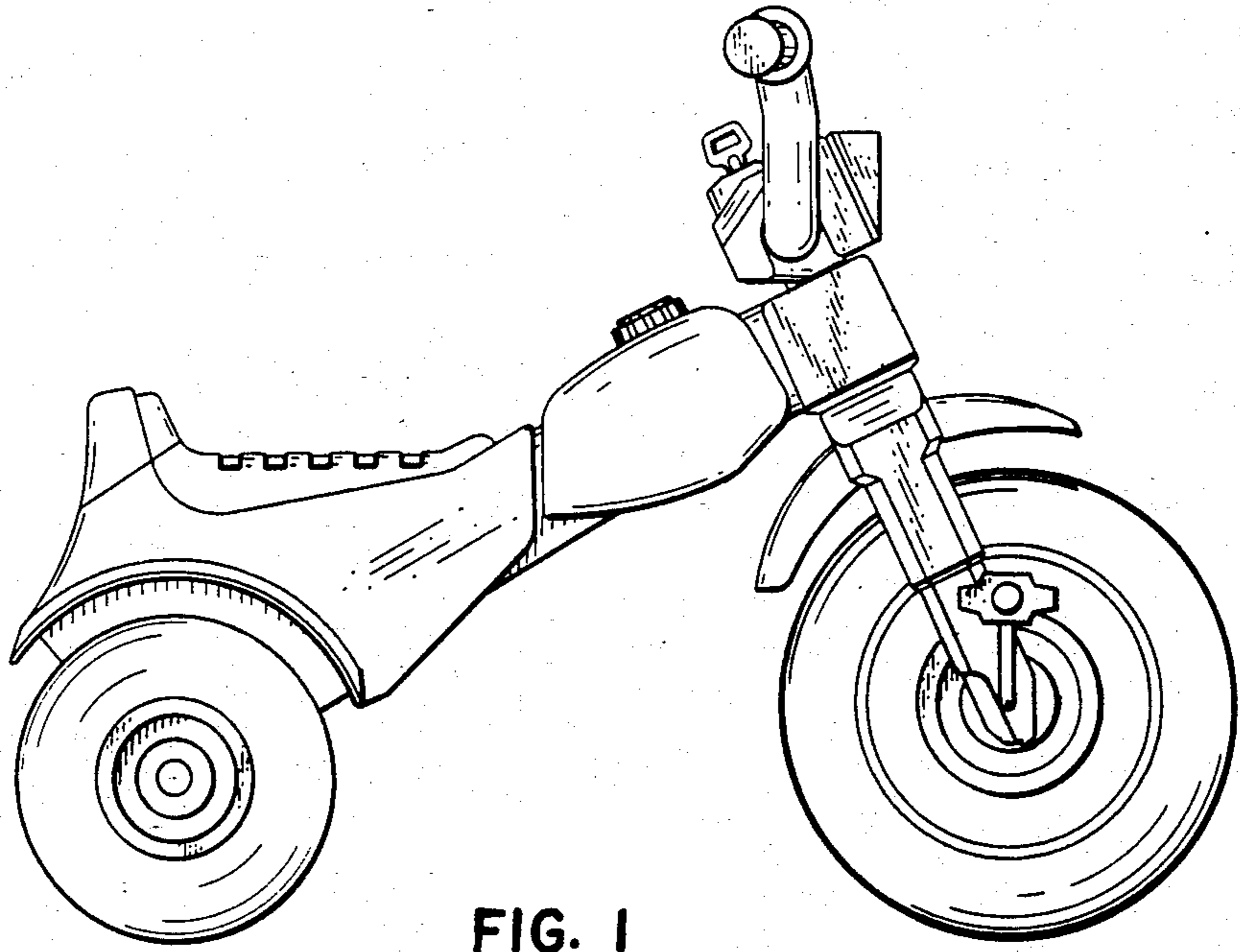


FIG. 1

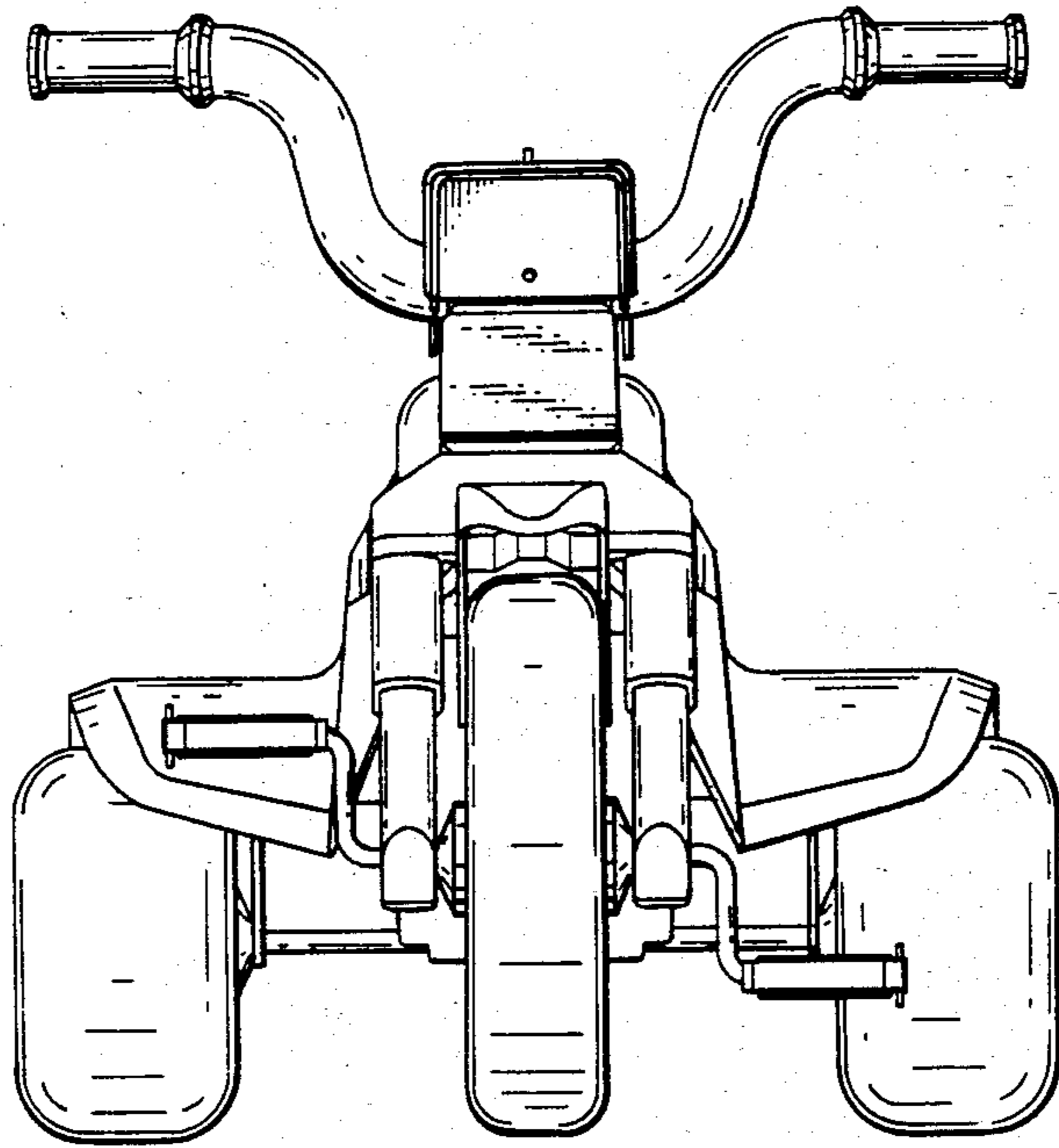


FIG. 2

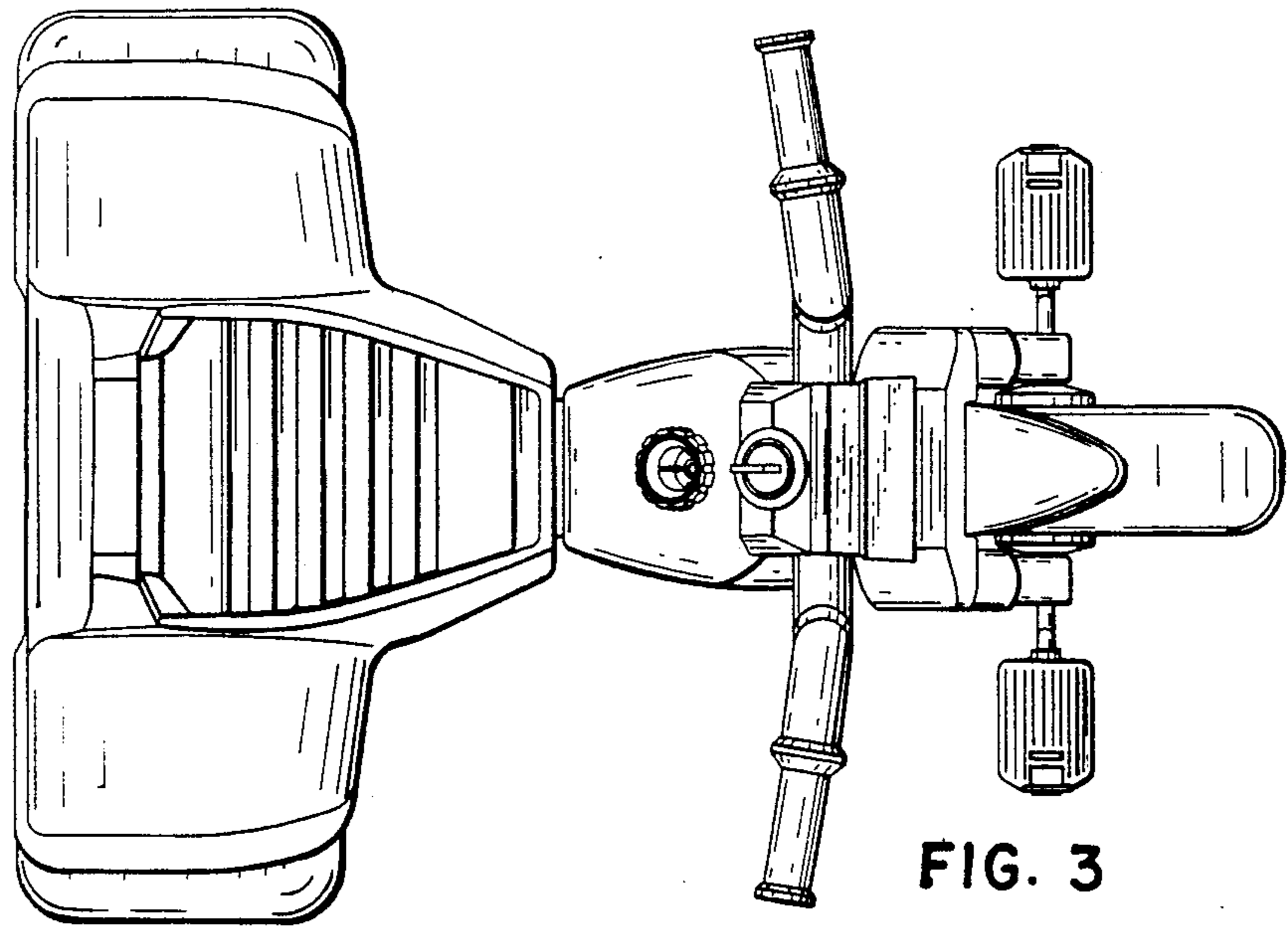


FIG. 3

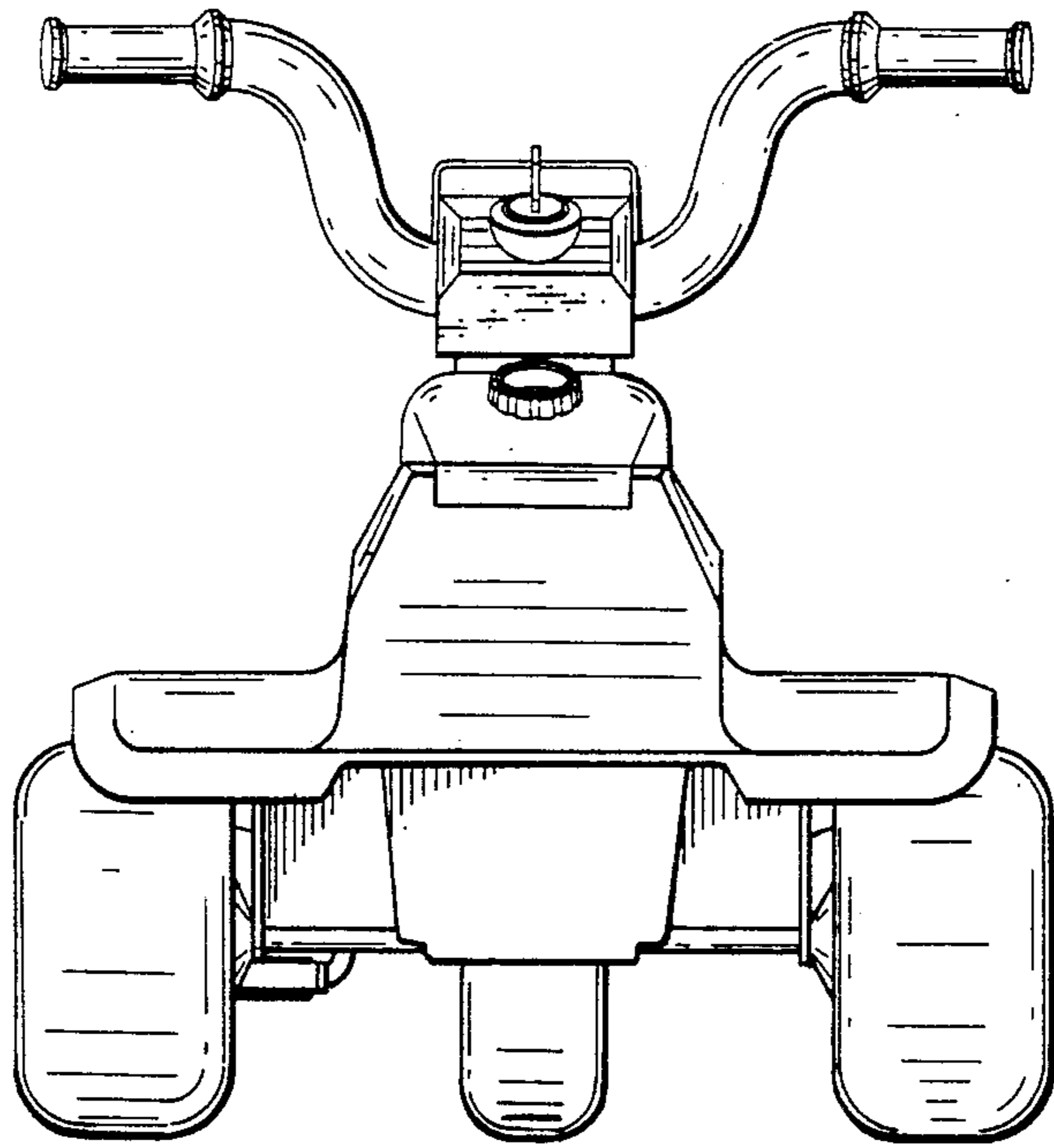


FIG. 4

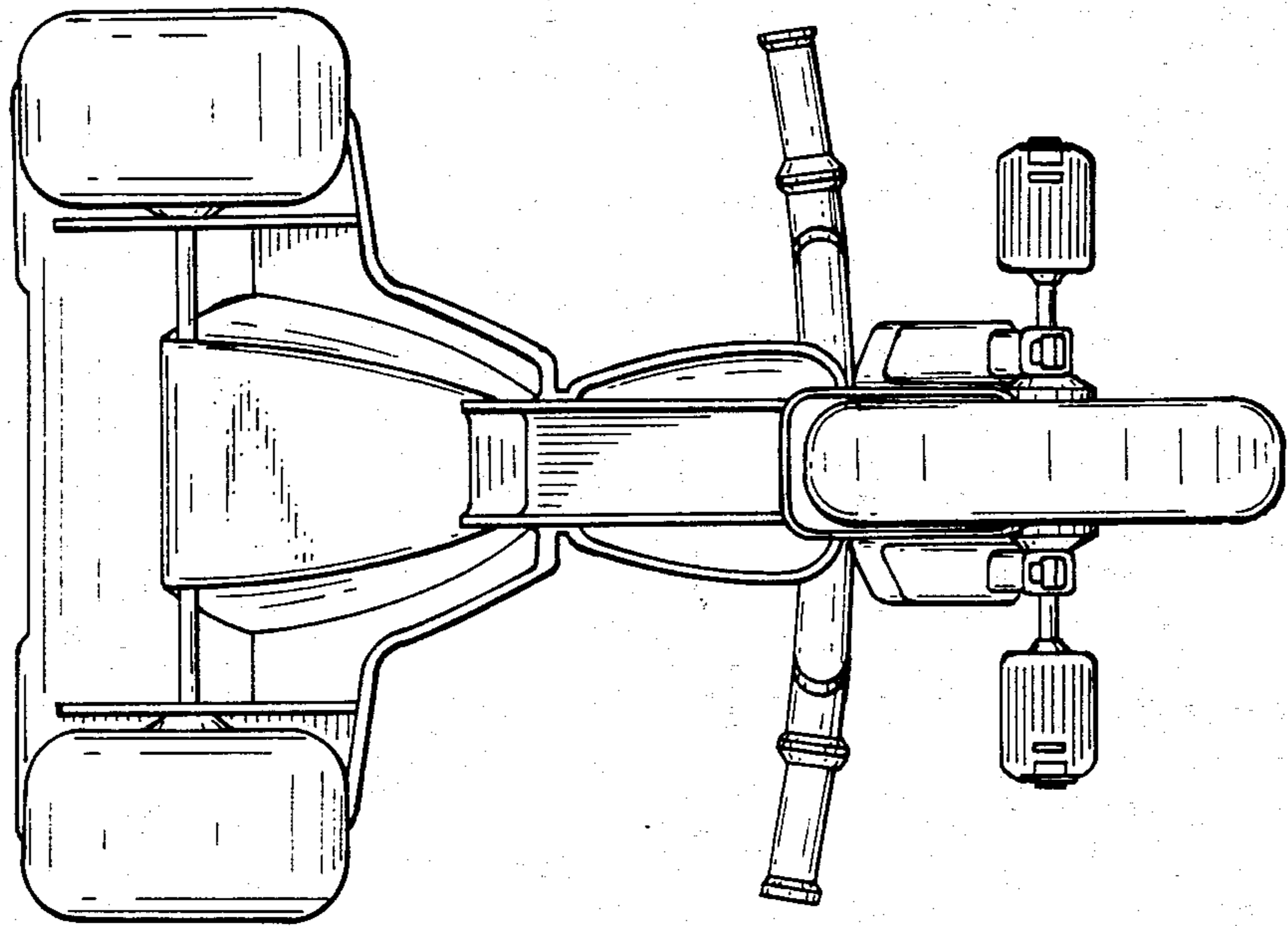


FIG. 5