

[54] FOUR WAY CORNER LEVEL

[76] Inventor: Robert H. Vander Werf, P.O. Box 4333, Redding, Calif. 96099

[**] Term: 14 Years

[21] Appl. No.: 614,969

[22] Filed: May 29, 1984

[52] U.S. Cl. D10/69

[58] Field of Search D10/69, 62, 65; 33/382, 33/390

[56] References Cited

U.S. PATENT DOCUMENTS

- D. 189,590 1/1961 White D10/62
- D. 253,581 12/1979 Vander Werf D10/69
- D. 255,504 6/1980 Vander Werf D10/69 X
- D. 257,330 10/1980 Vander Werf D10/69
- D. 261,626 11/1981 Vander Werf D10/69
- D. 269,663 7/1983 Smith D10/69

- 2,906,031 9/1959 Rice 33/382
- 3,266,155 8/1966 Staub 33/382 X
- 3,545,091 12/1970 Sebastiani 33/382 X
- 3,820,249 6/1974 Stone 33/382 X
- 3,826,013 7/1974 Baher 33/390

FOREIGN PATENT DOCUMENTS

- 67128 10/1913 Switzerland 33/382

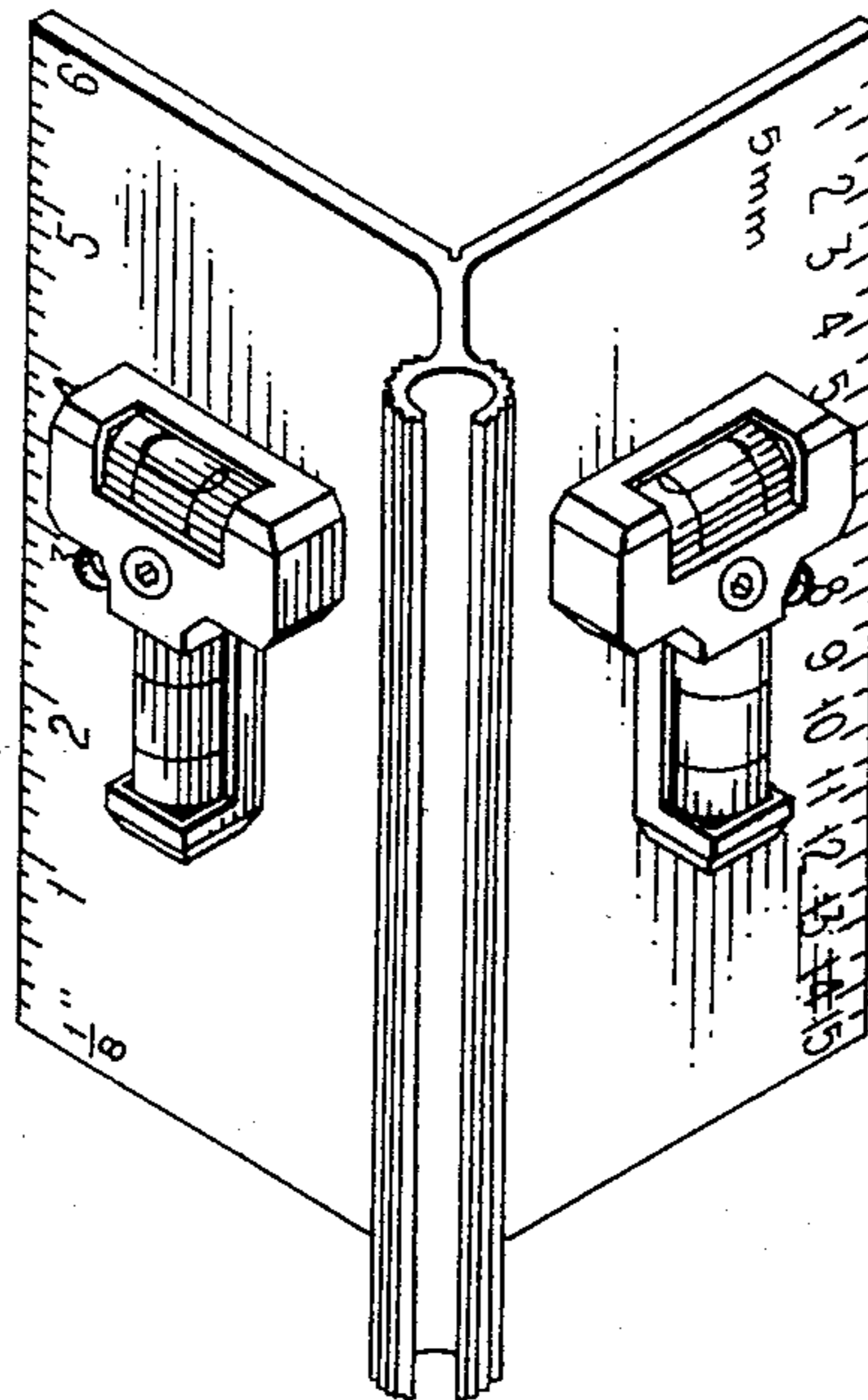
Primary Examiner—Nelson C. Holtje

[57] CLAIM

The ornamental design for a four way corner level, as shown and described.

DESCRIPTION

FIG. 1 is a front perspective view of a four way corner level showing my new design;
 FIG. 2 is a rear perspective view thereof;
 FIG. 3 is a top plan view thereof;
 FIG. 4 is a bottom plan view thereof.



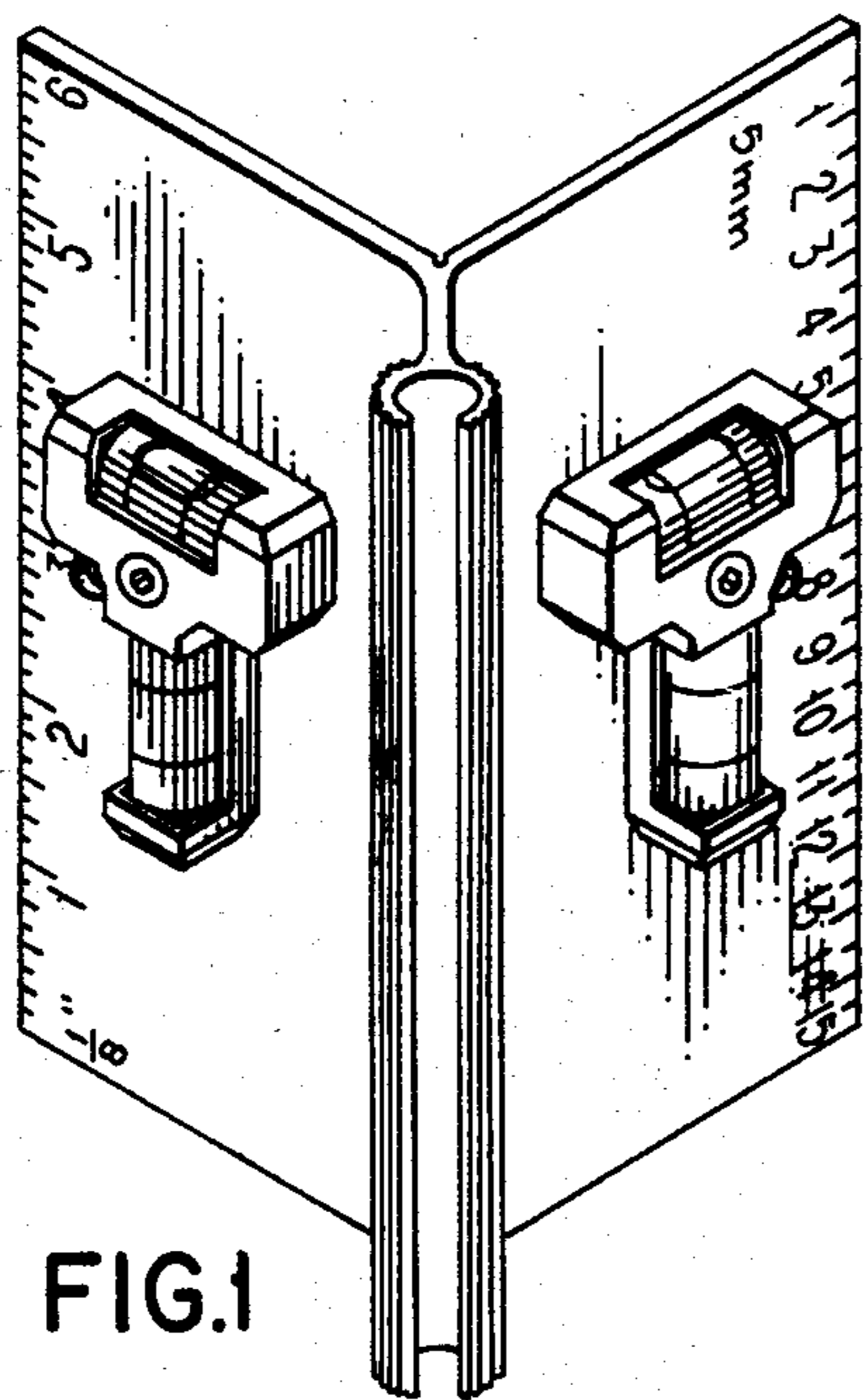


FIG. 1

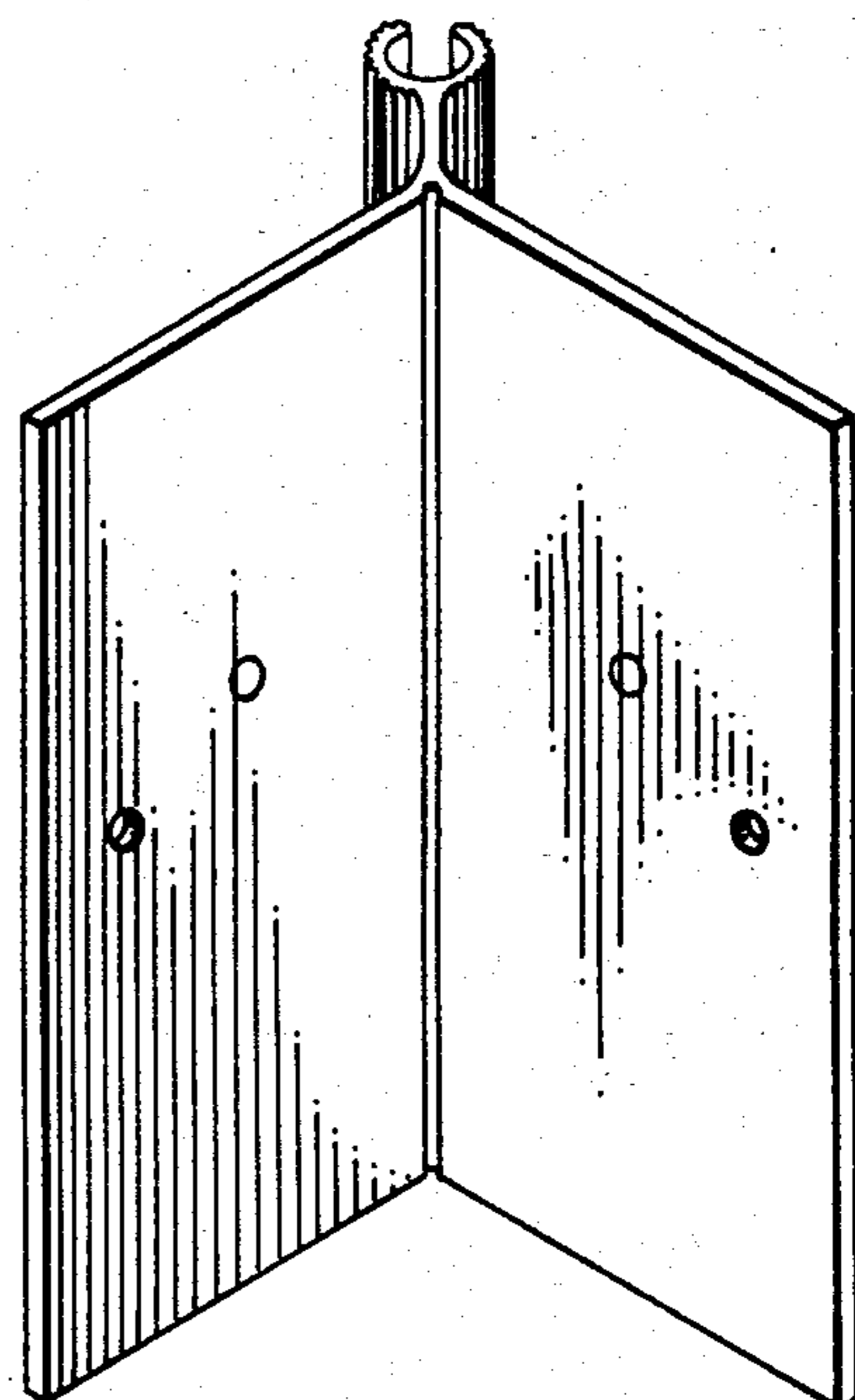


FIG. 2

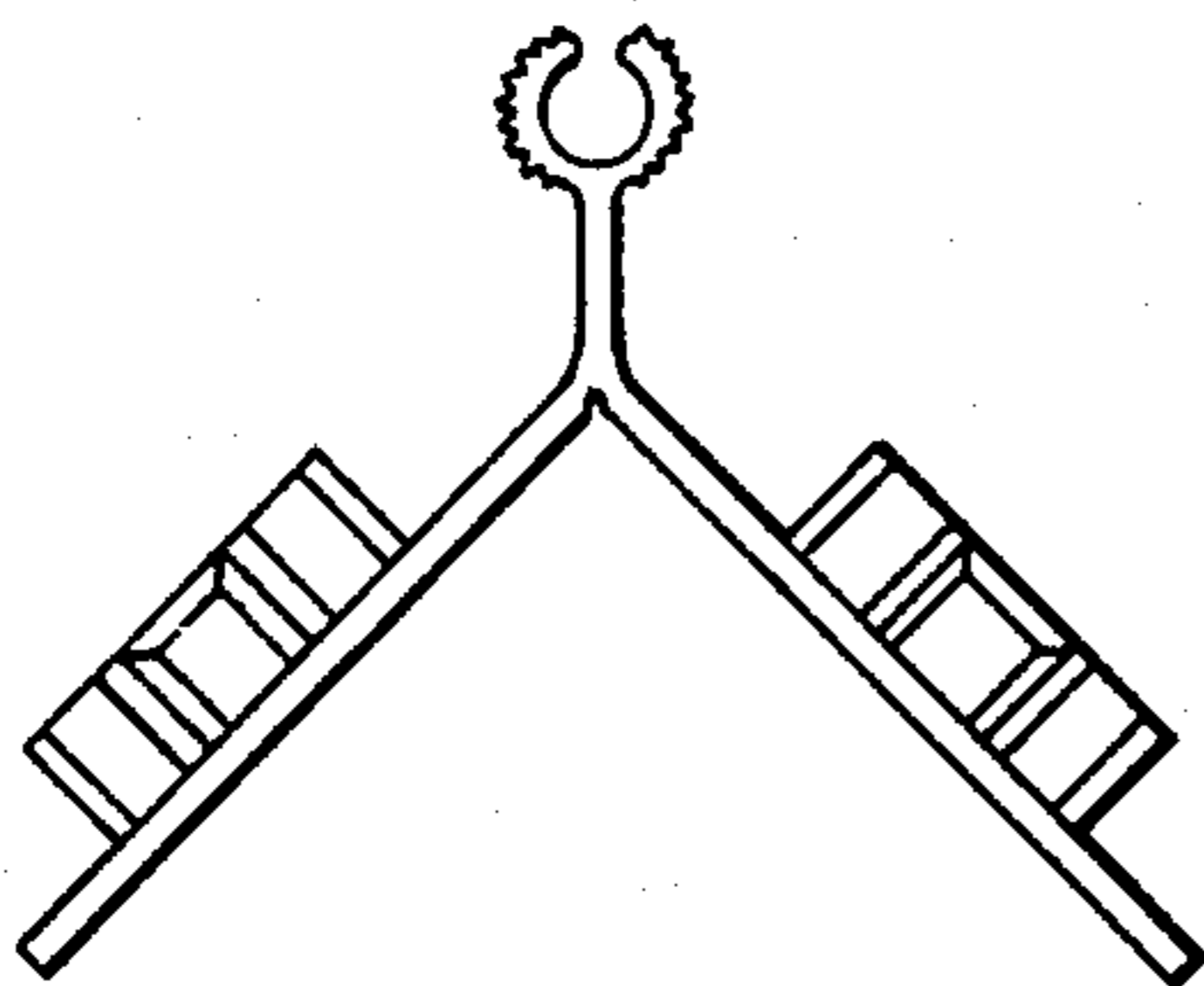


FIG. 4

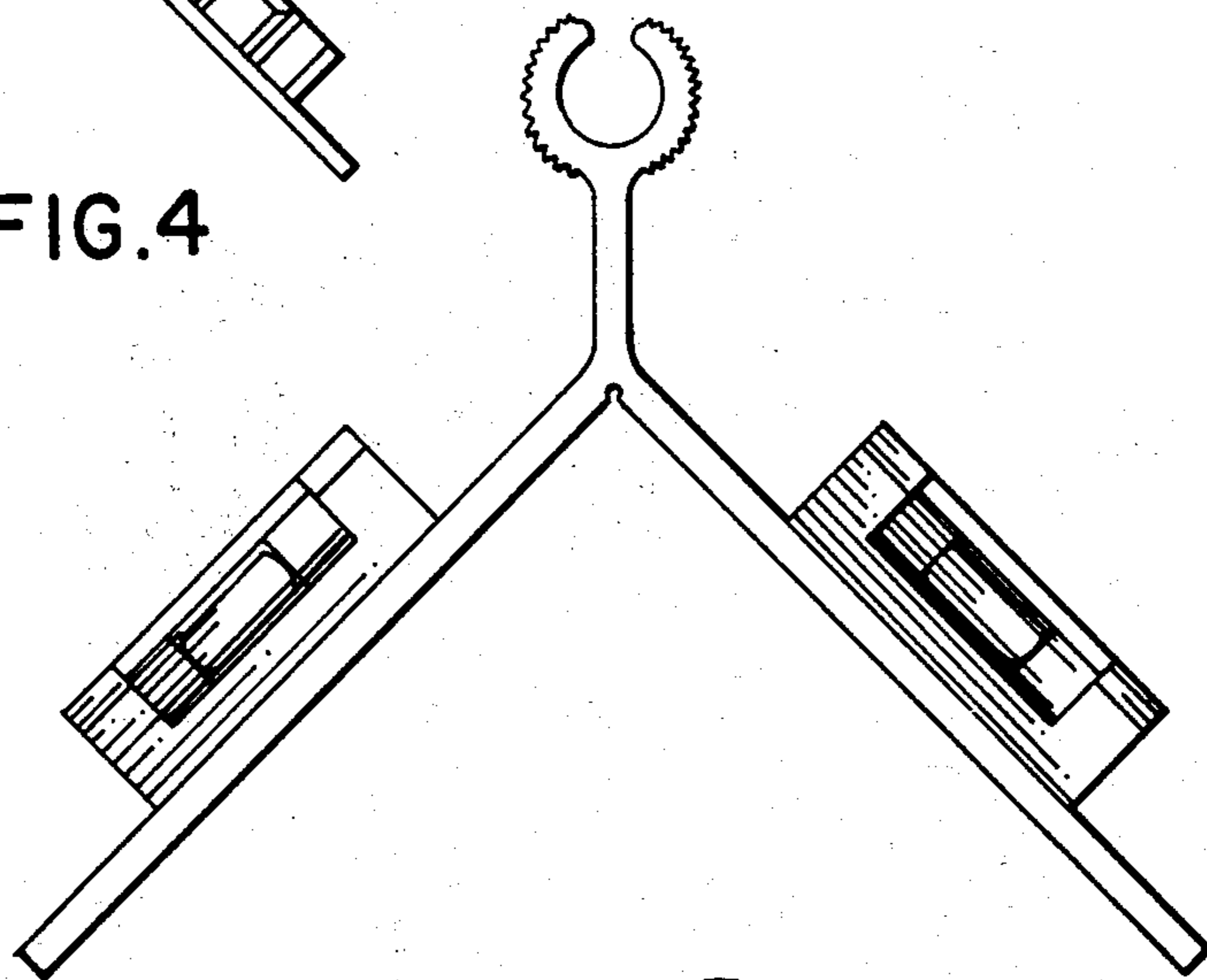


FIG. 3