

United States Patent [19]

Everett

[11] Patent Number: **Des. 289,256**

[45] Date of Patent: **** Apr. 14, 1987**

[54] **HOLDER BRACKET OR SIMILAR ARTICLE**

[75] Inventor: **Lynn E. Everett, New Philadelphia, Ohio**

[73] Assignee: **Tusco Manufacturing Co., Gnadenhutten, Ohio**

[**] Term: **14 Years**

[21] Appl. No.: **747,576**

[22] Filed: **Jun. 24, 1985**

[52] U.S. Cl. **D8/373; D8/367**

[58] Field of Search **D8/373, 381, 367, 370, D8/371; D6/323, 545; 248/225.2, 235**

[56] **References Cited**

U.S. PATENT DOCUMENTS

- D. 75,598 6/1928 Priest D8/370
- D. 168,820 2/1953 Beltrami D8/370

- D. 216,158 11/1969 Williams D8/381
- D. 254,290 2/1980 Smith D8/381
- 266,704 10/1882 Lufkin 248/302
- 847,275 3/1907 Bonenberger 248/235
- 2,291,178 7/1942 Vander Werp et al. 248/303
- 2,459,909 1/1949 Alofs 248/303
- 2,531,151 11/1950 Patt 248/303
- 4,335,865 6/1982 Cormier 248/225.2

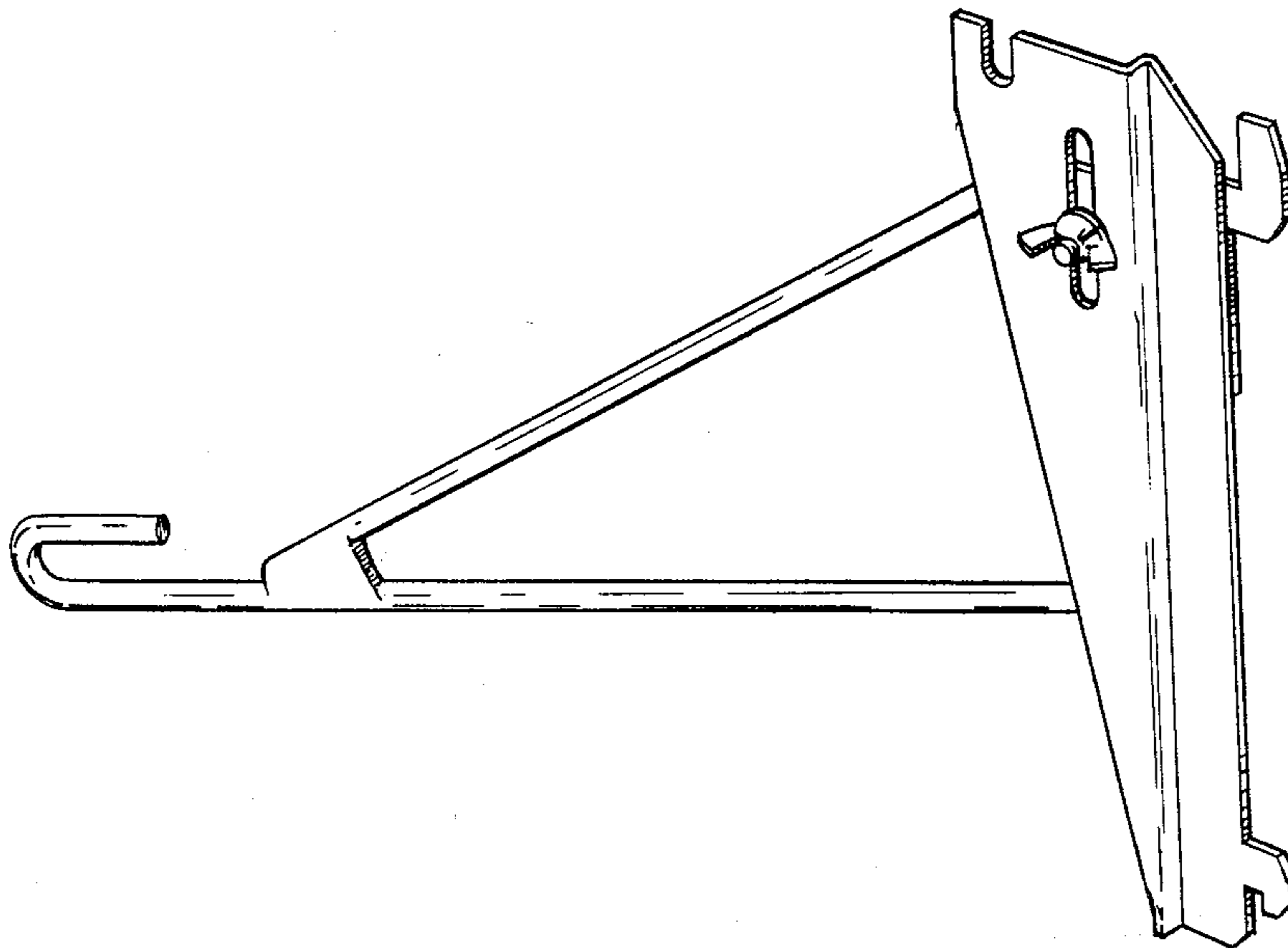
Primary Examiner—Wallace R. Burke
Assistant Examiner—Horace B. Fay
Attorney, Agent, or Firm—Marshall & Melhorn

[57] **CLAIM**

The ornamental design for a holder bracket or similar article, as shown and described.

DESCRIPTION

FIG. 1 is a front perspective view of a holder bracket or similar article showing my new design; and FIG. 2 is a rear perspective view thereof.



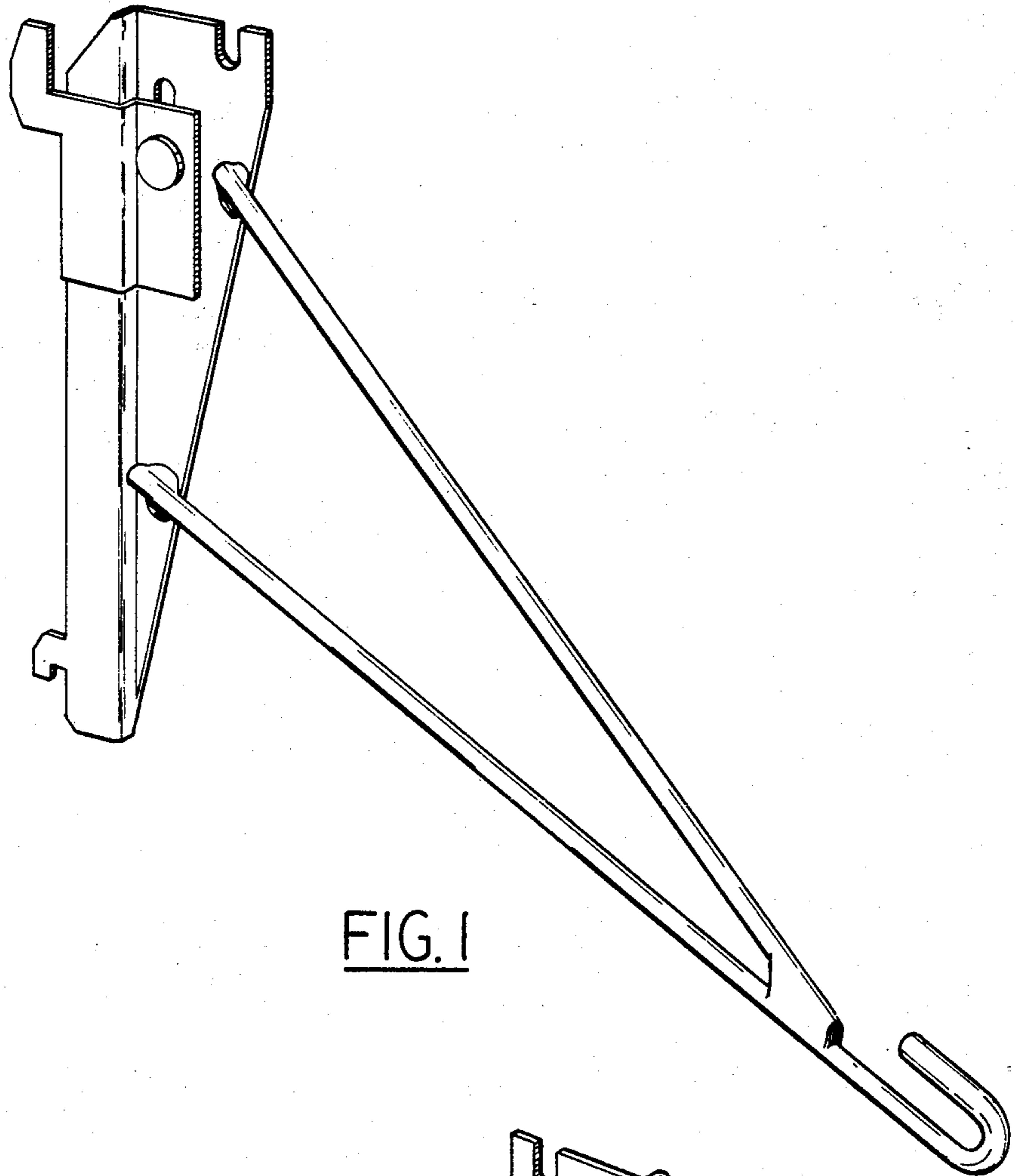


FIG. 1

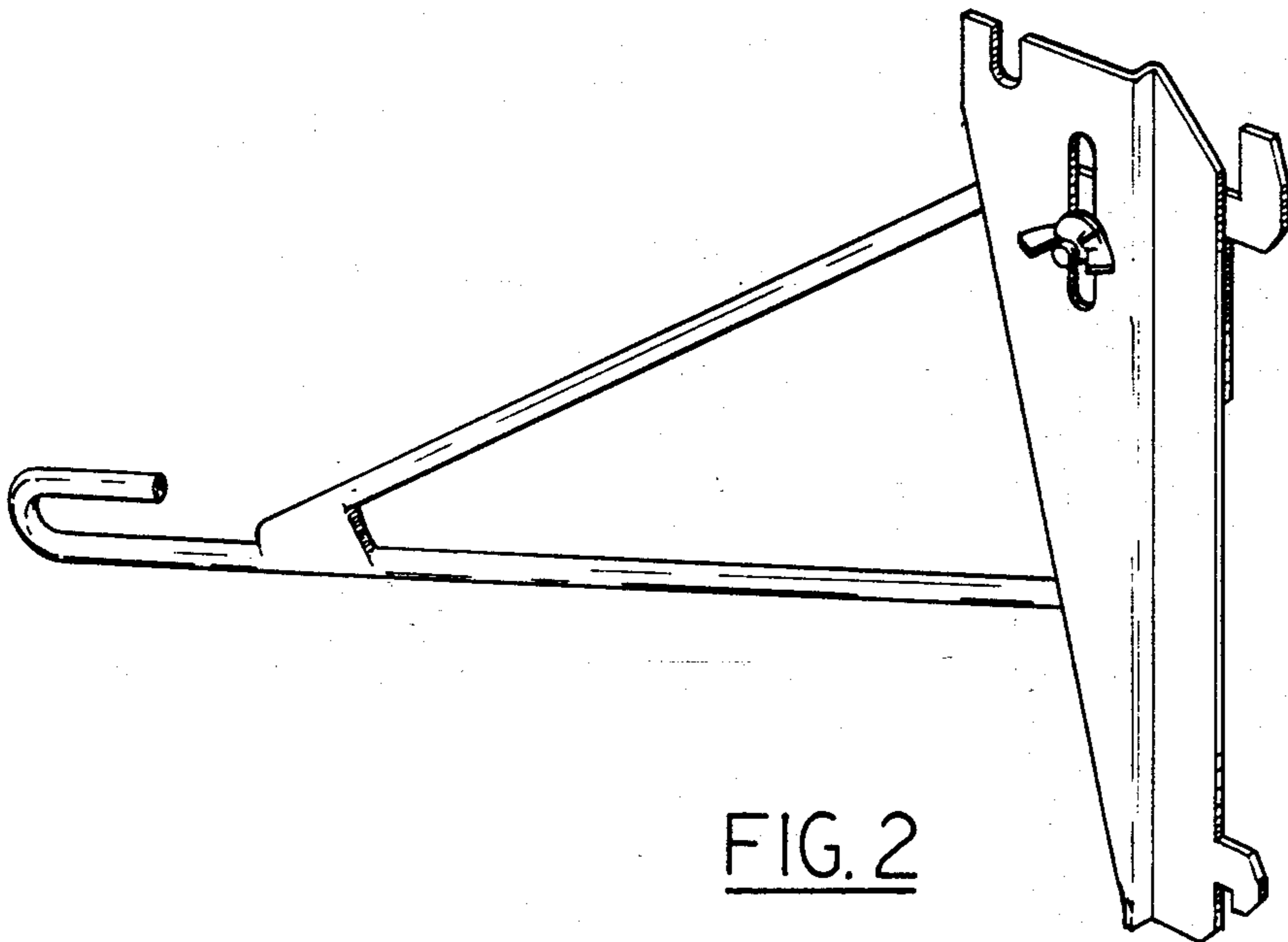


FIG. 2