

[54] MESS TRAY OR SIMILAR ARTICLE

[75] Inventor: Henry C. H. Wang, Taipei, Taiwan

[73] Assignee: Two Powers Enterprise Co. Ltd., Taipei, Taiwan

[\*\*] Term: 14 Years

[21] Appl. No.: 652,055

[22] Filed: Sep. 19, 1984

[52] U.S. Cl. .... D7/21; D6/406; D7/38

[58] Field of Search ..... D7/38, 37, 1, 3, 21; D6/406; 206/563, 564, 545; 220/23.8, 23.86, 23.83

[56] References Cited

U.S. PATENT DOCUMENTS

D. 192,244	7/1962	Bliss	.....	D6/406
D. 276,201	11/1984	Wolff	.....	D7/38
2,986,438	5/1961	Smathers et al.	.....	D7/38 X
3,233,563	2/1966	Mauchline	.....	D7/38 X

FOREIGN PATENT DOCUMENTS

13007 of 1913 United Kingdom ..... D7/38 X

OTHER PUBLICATIONS

*Home Furnishings Daily*, Jul. 16, 1958, p. 24, Tray And Plate Set, Schiller & Asmus, Inc.

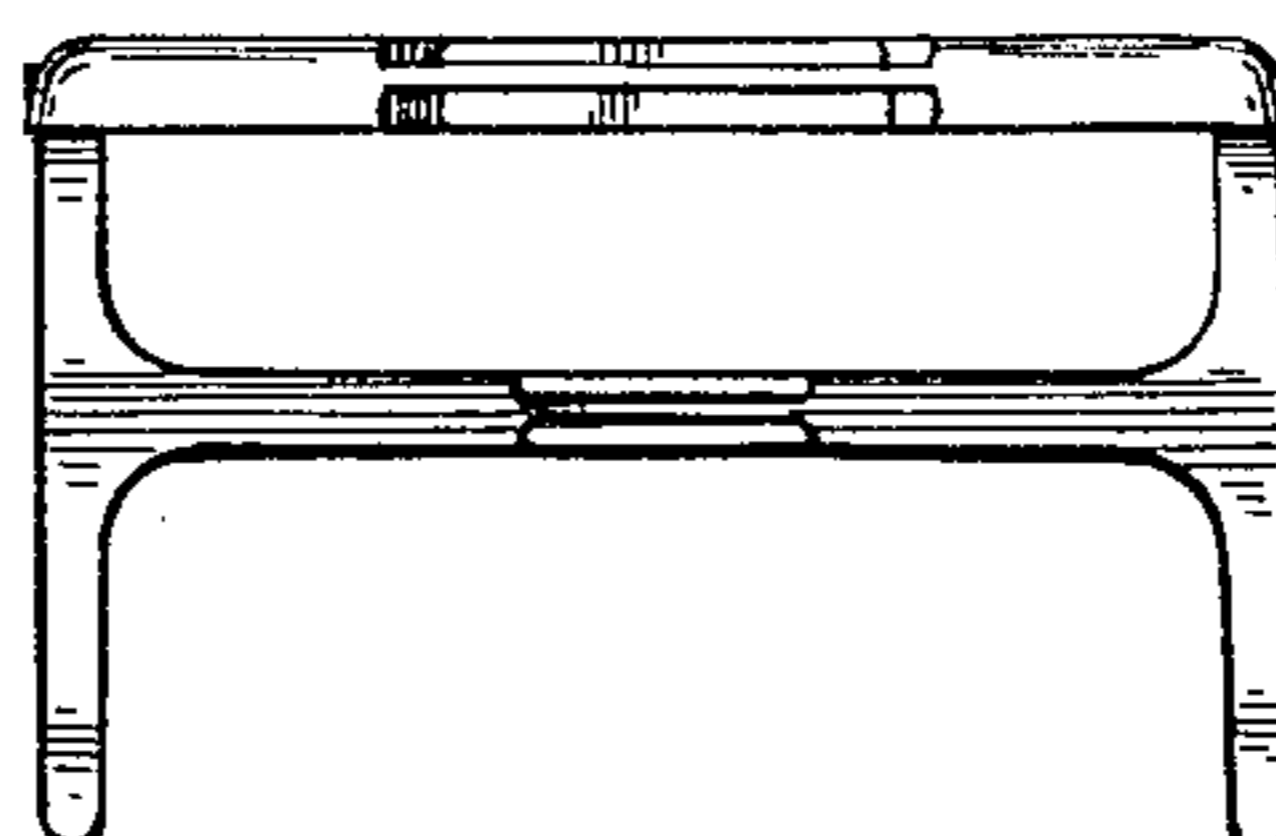
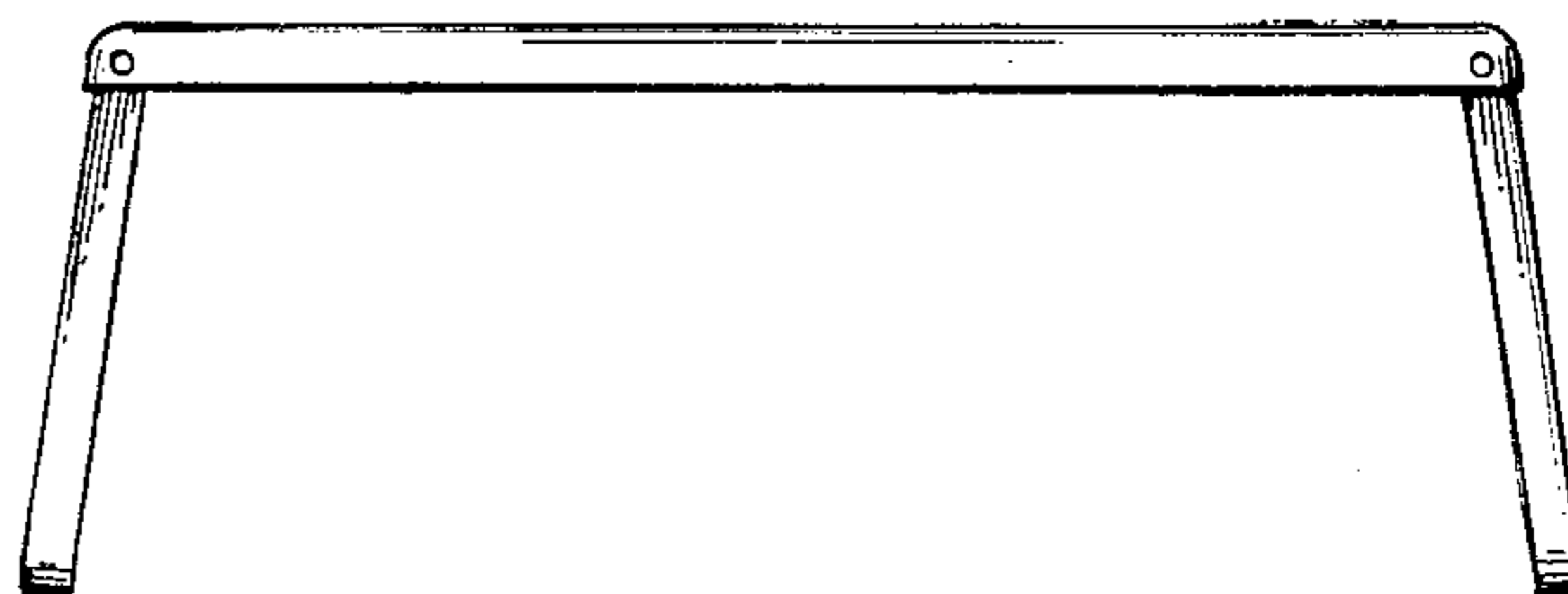
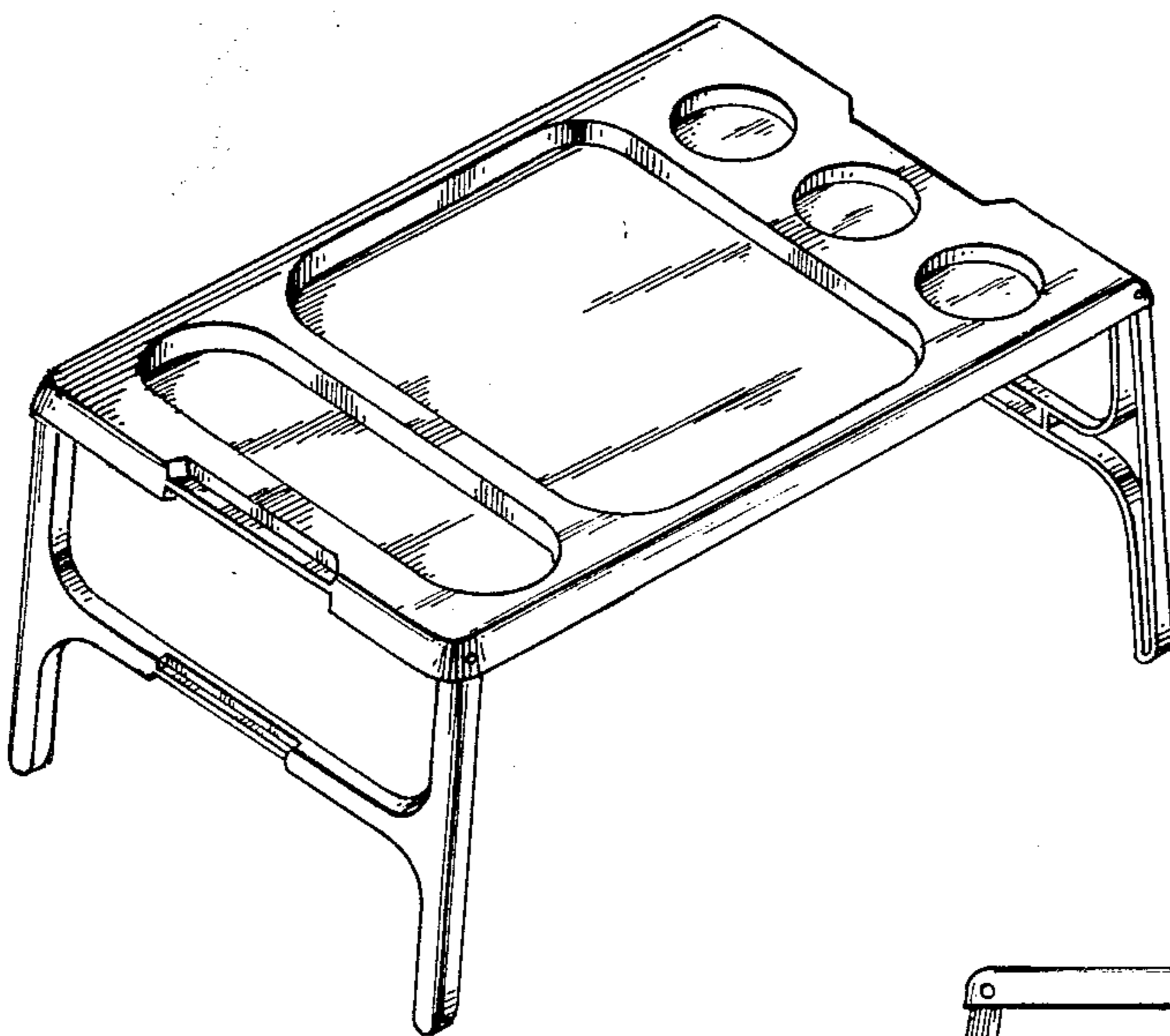
*Primary Examiner*—Winifred E. Herrmann  
*Attorney, Agent, or Firm*—Cushman, Darby & Cushman

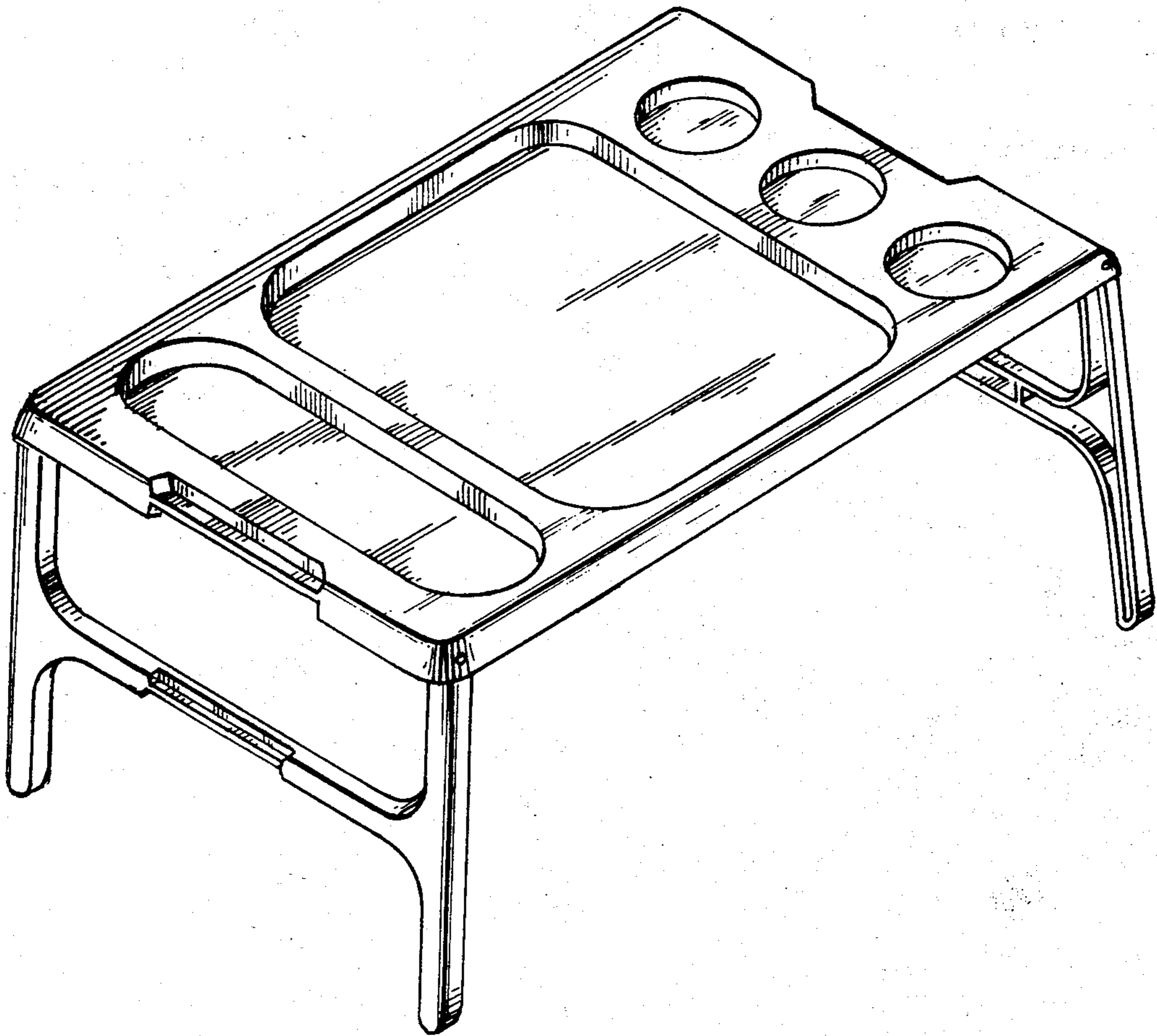
[57] CLAIM

The ornamental design for a mess tray or similar article, as shown.

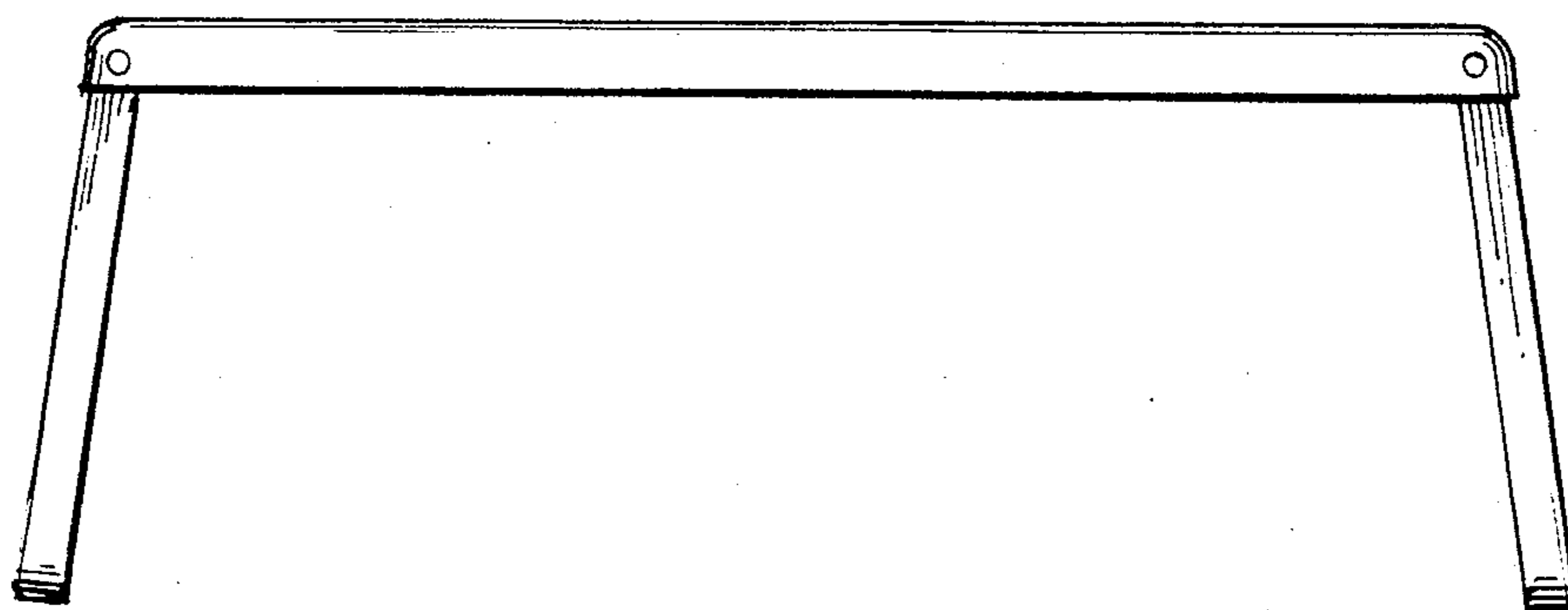
DESCRIPTION

FIG. 1 is a perspective view of a mess tray or similar article showing my new design;  
FIG. 2 is a front elevational view thereof;  
FIG. 3 is a rear elevational view thereof;  
FIG. 4 is a left side elevational view thereof;  
FIG. 5 is a right side elevational view thereof;  
FIG. 6 is a top plan view thereof; and  
FIG. 7 is a bottom plan view thereof.

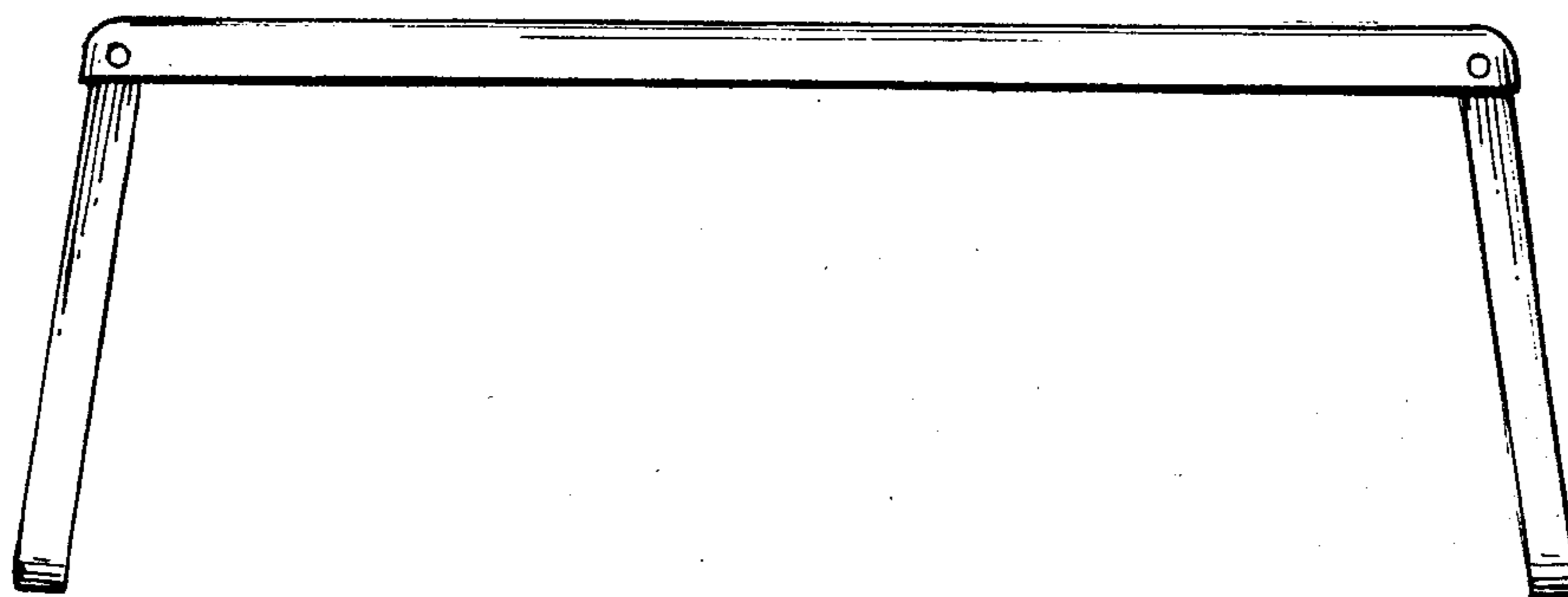




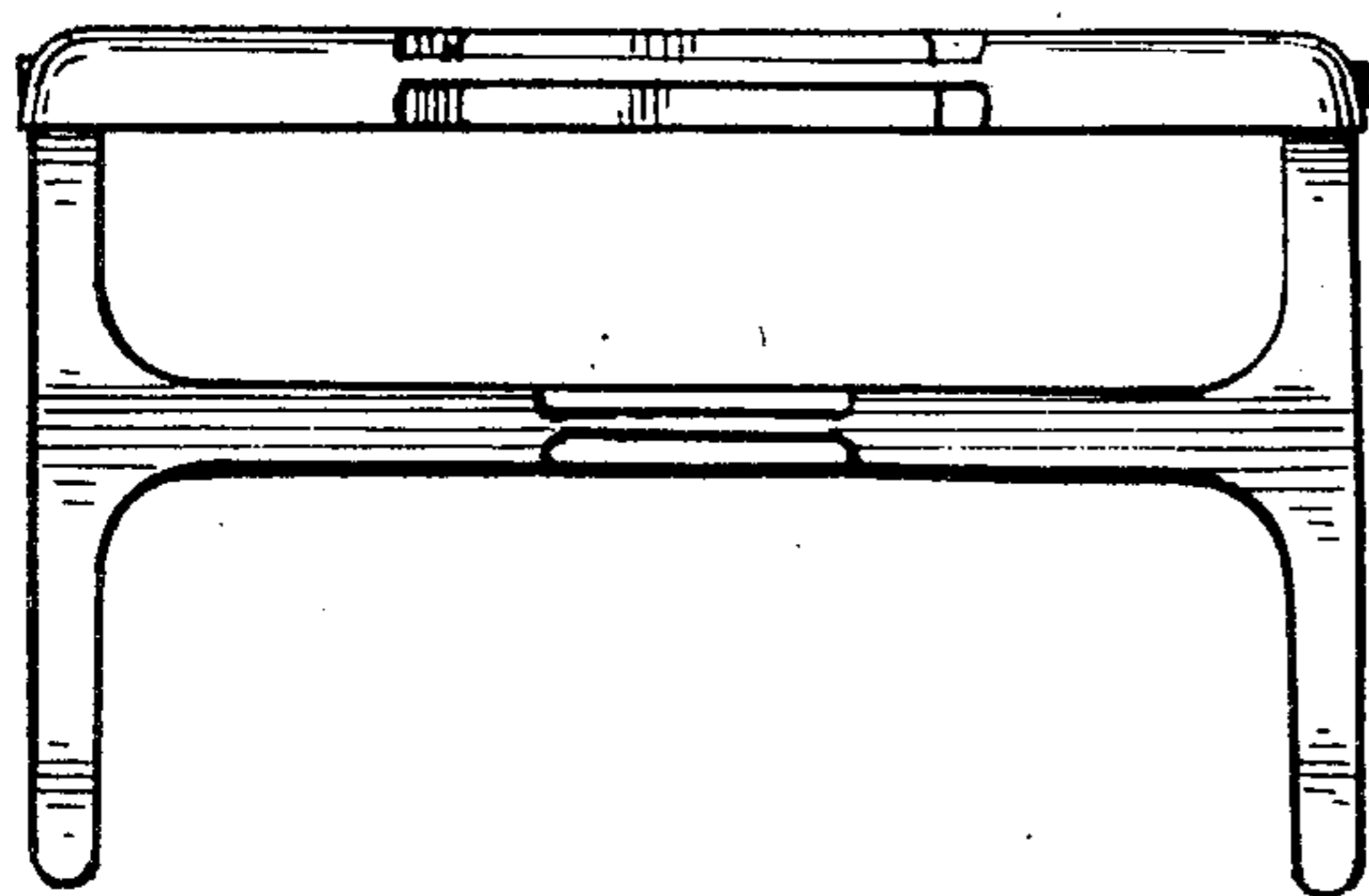
*FIG. 1*



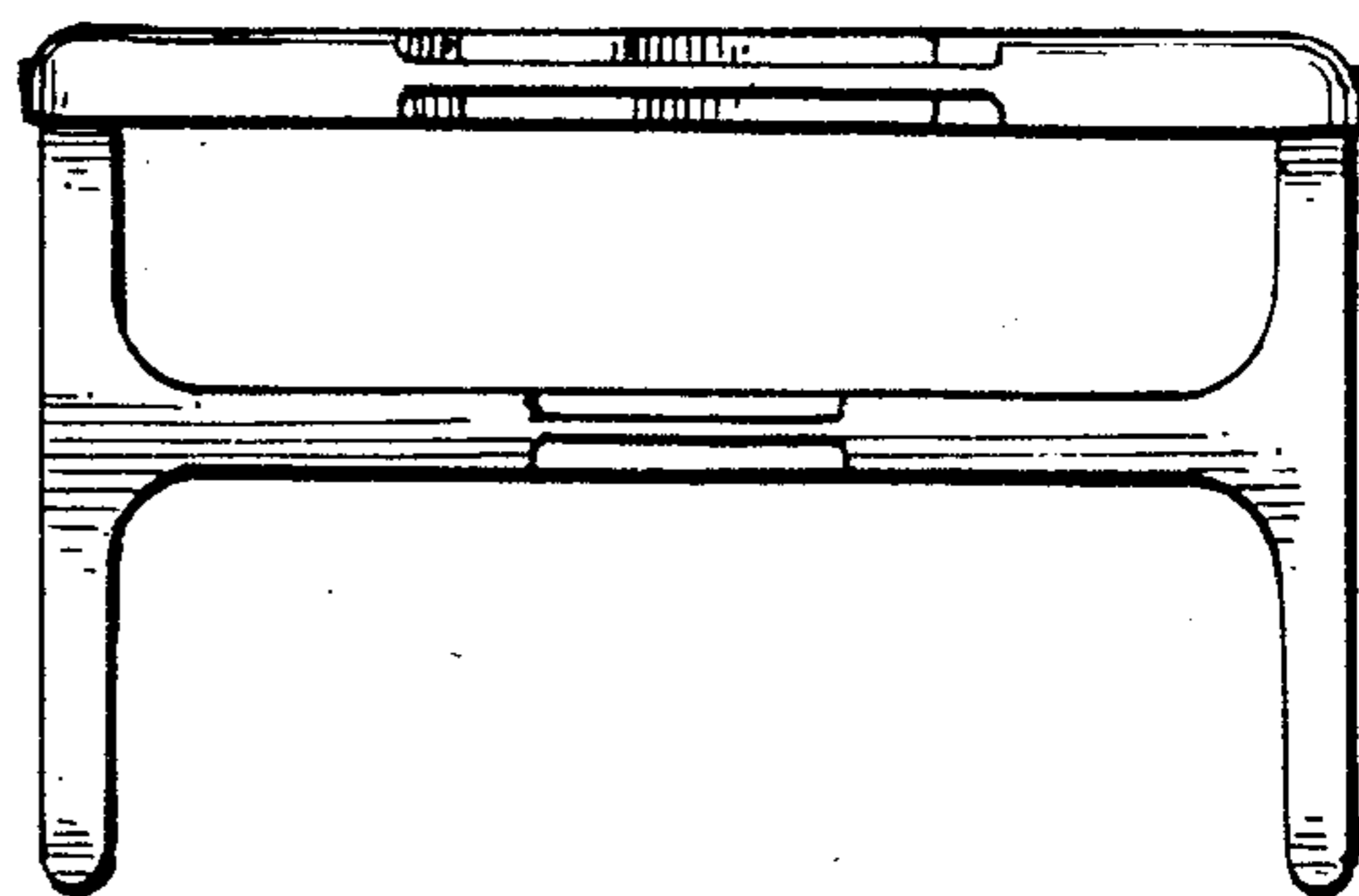
*FIG. 2*



*FIG. 3*



*FIG. 4*



*FIG. 5*

FIG. 6

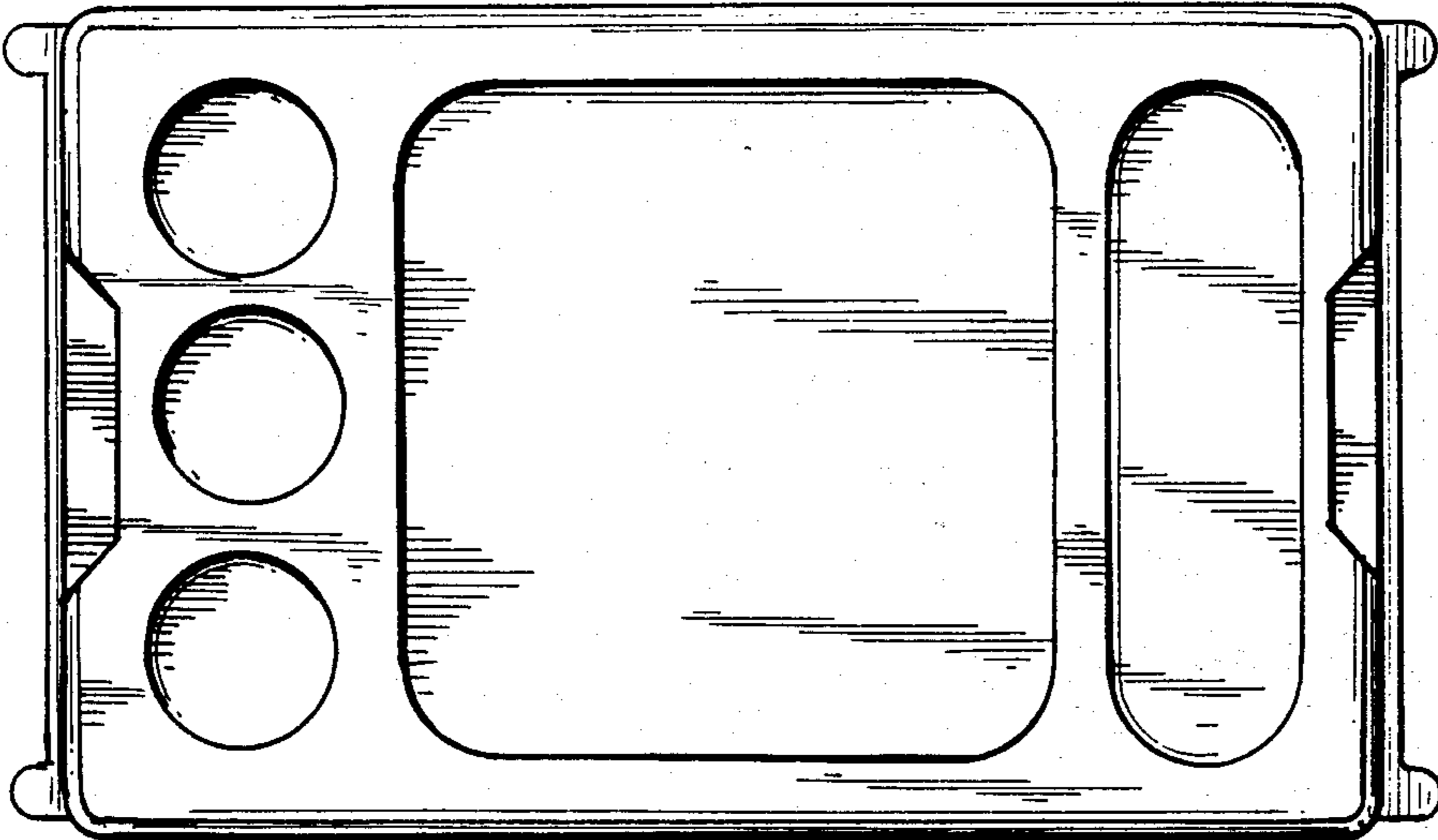


FIG. 7

