

[54] DISH

[76] Inventor: Joost R. Ritman, Bloemgracht 15-19, 1016 KB Amsterdam, Netherlands

[*] Notice: The portion of the term of this patent subsequent to Feb. 24, 2001 has been disclaimed.

[**] Term: 14 Years

[21] Appl. No.: 616,739

[22] Filed: Jun. 4, 1984

[52] U.S. Cl. D7/1

[58] Field of Search D7/1, 45, 37, 16, 18, D7/21, 19, 3, 22, 23, 354; D9/425, 430, 431, 424, 432; D30/16; D11/155, 156

[56] References Cited

U.S. PATENT DOCUMENTS

D. 59,287	10/1921	Sailer	D7/1 X
D. 240,957	8/1976	Burke et al.	D7/1 X
D. 264,415	5/1982	Pomroy	D7/1
2,050,206	8/1936	Chaplin	D7/1 X
3,301,406	1/1967	Scott	D7/1 X

FOREIGN PATENT DOCUMENTS

122441 1/1919 United Kingdom D7/37 X

OTHER PUBLICATIONS

Idea 55, ©1955, edited by Hatje, Int'l. Design Annual, p. 9, panel #16 at top, Dinnerware-Arthur Percy-Sweden "Corona".

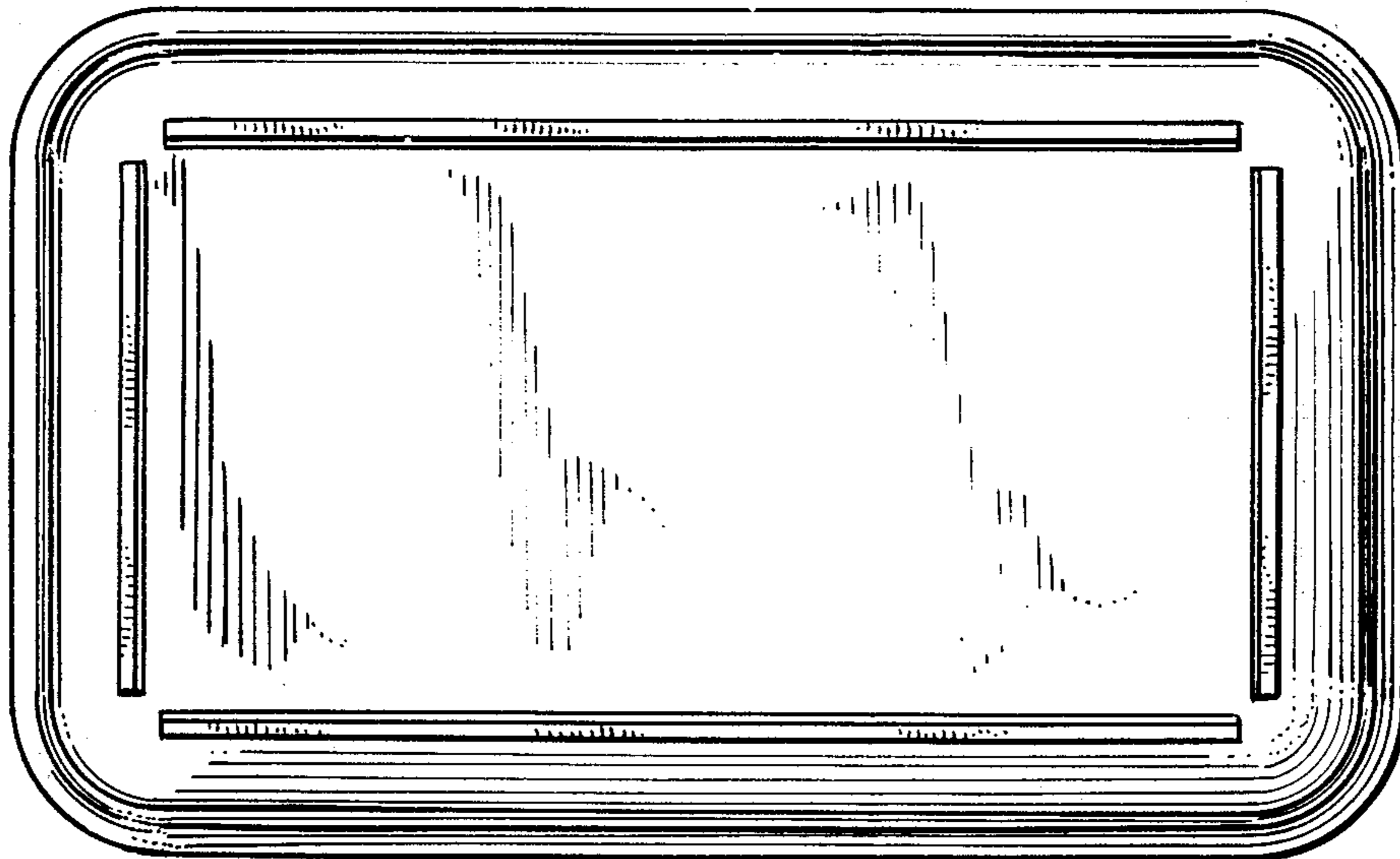
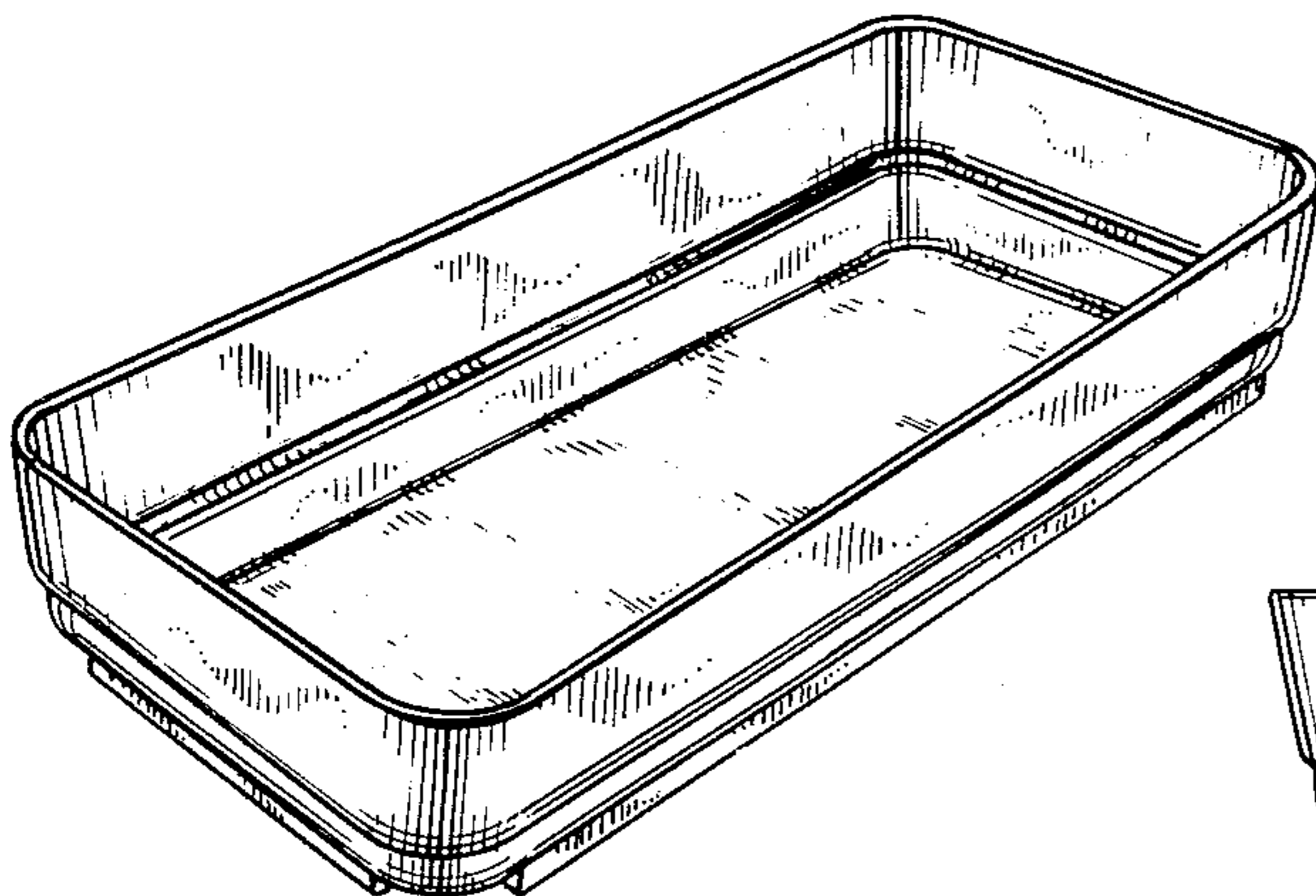
Primary Examiner—Winifred E. Herrmann
Attorney, Agent, or Firm—Allegretti, Newitt, Witcoff & McAndrews, Ltd.

[57] CLAIM

The ornamental design for a dish, substantially as shown.

DESCRIPTION

FIG. 1 is a top perspective view of a dish showing my new design;
FIG. 2 is an end elevational view thereof;
FIG. 3 is a side elevational view thereof;
FIG. 4 is a top plan view thereof;
FIG. 5 is a cross-sectional view thereof taken along the line 5—5 of FIG. 4;
FIG. 6 is a cross-sectional view thereof taken along the line 6—6 of FIG. 4; and
FIG. 7 is a bottom plan view thereof.



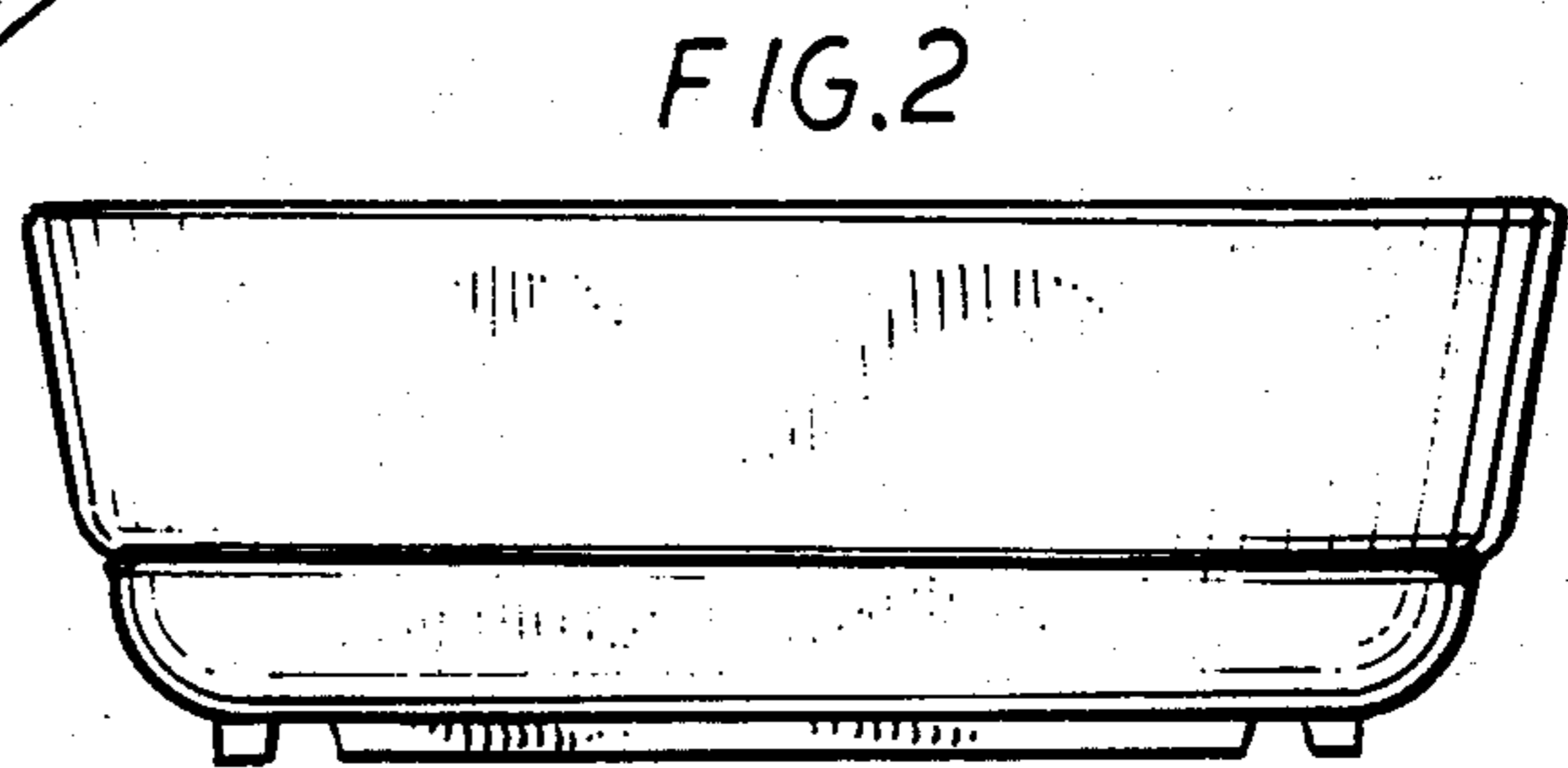
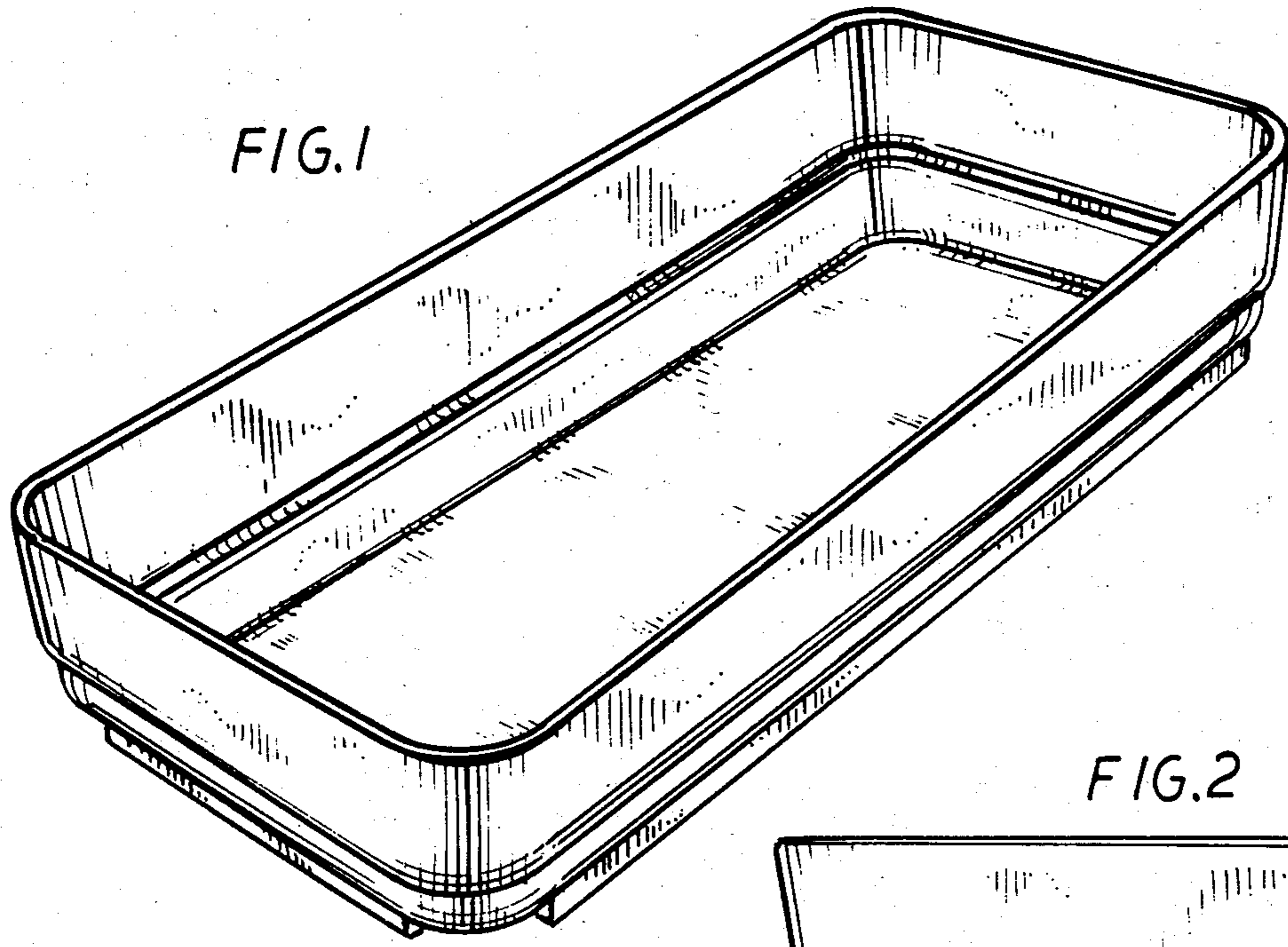


FIG. 3

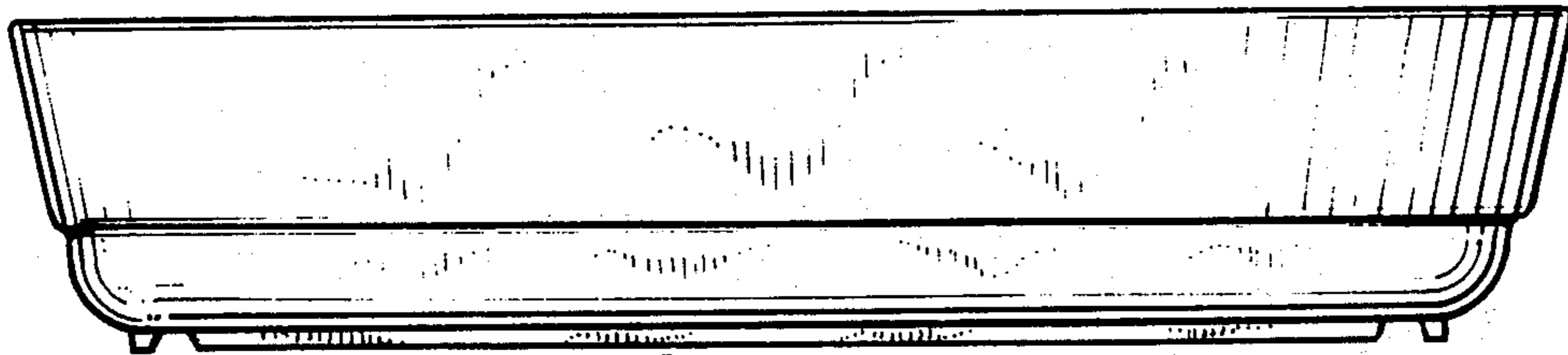


FIG. 4

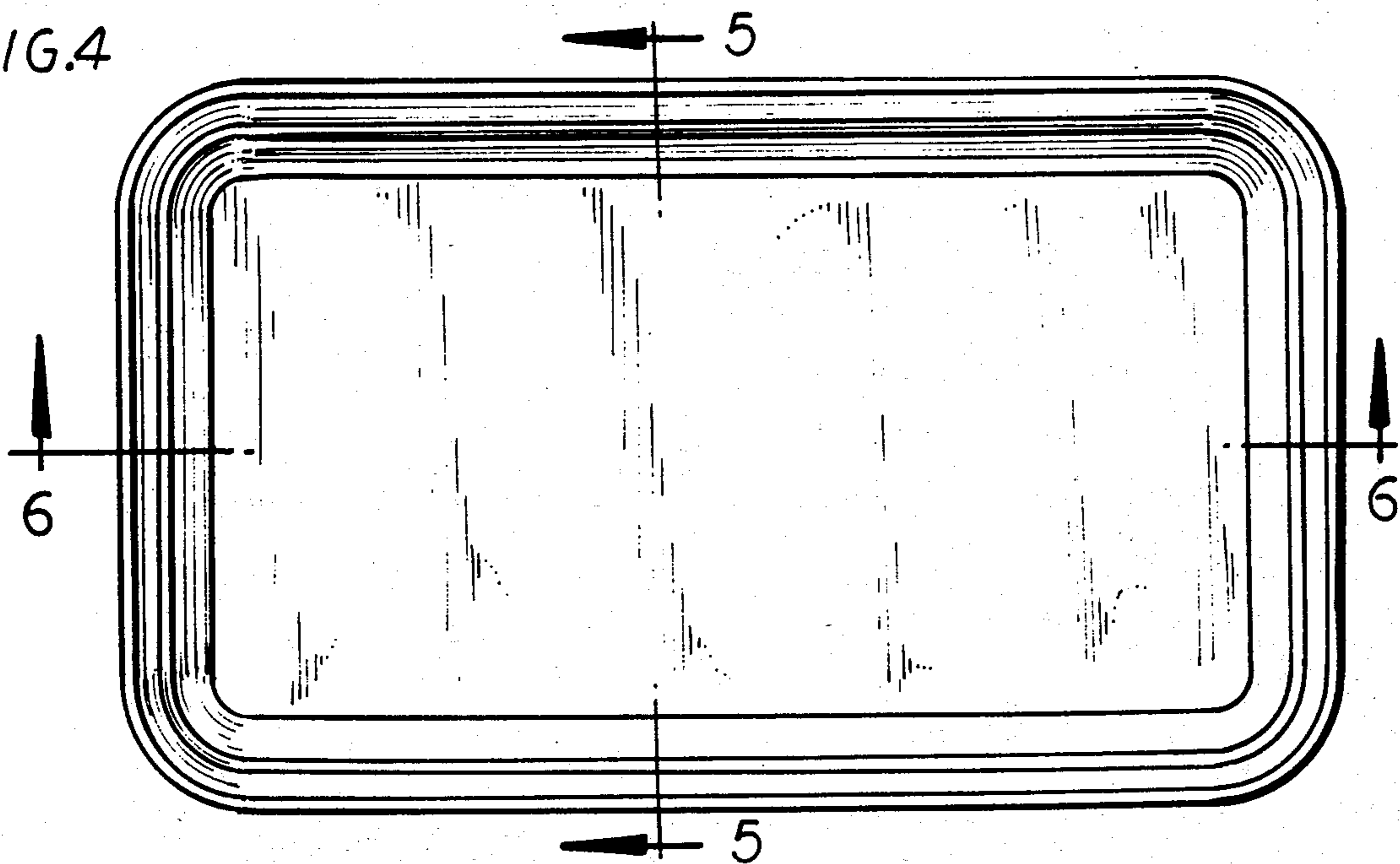


FIG.5

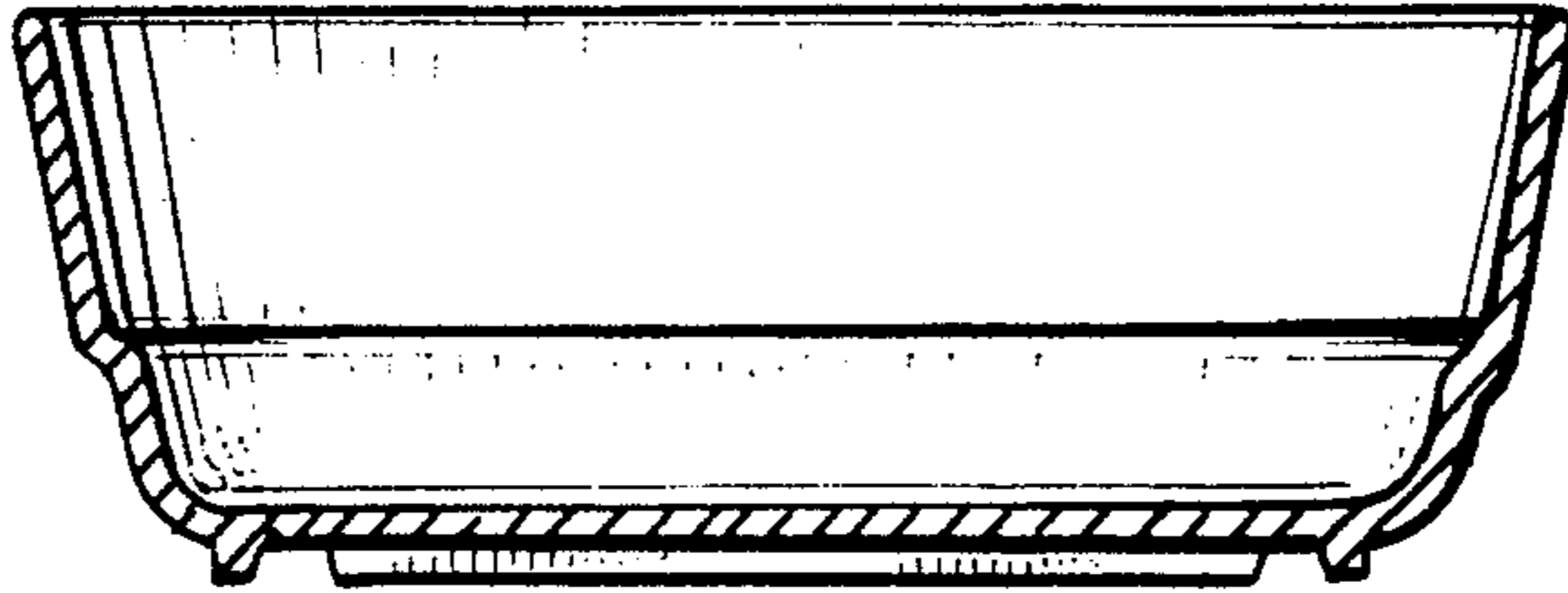


FIG.6

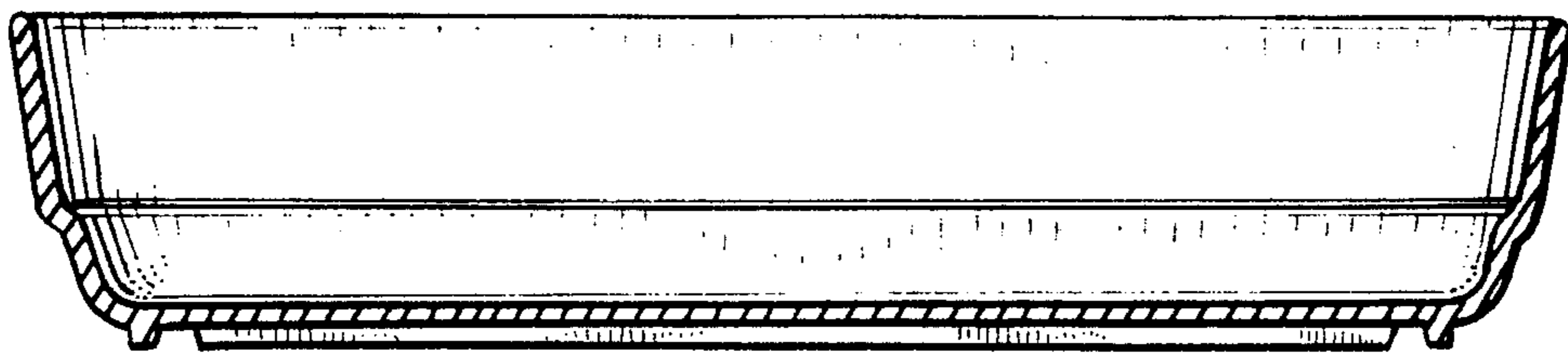


FIG.7

