

[54] ADJUSTABLE WORK TABLE OR SIMILAR ARTICLE

[75] Inventors: Gordon E. Sylvester, Jamaica, N.Y.; Alvin R. Tilley, Redbank, N.J.; Robert R. Wyckoff, Aurora, Ill.

[73] Assignee: American Telephone and Telegraph Company, AT&T Bell Laboratories, Murray Hill, N.J.

[**] Term: 14 Years

[21] Appl. No.: 652,644

[22] Filed: Sep. 21, 1984

[52] U.S. Cl. D6/429; D6/400; D6/477

[58] Field of Search D6/449, 429, 430, 431, D6/400, 420, 422, 477, 478, 479; 108/5, 54.1, 106

[56] References Cited

U.S. PATENT DOCUMENTS

- D. 140,122 1/1945 Maynard et al. D6/420
- D. 276,199 11/1984 Kwiecinski et al. D6/420
- D. 277,532 2/1985 Duhamel D6/475 X
- 3,370,556 2/1968 Kooi 108/146
- 3,896,744 7/1975 Goebel 108/146

4,440,096 4/1984 Rice et al. 108/5 X

Primary Examiner—Bruce W. Dunkins
Attorney, Agent, or Firm—Werner Ulrich; Peter Visserman

[57] CLAIM

The ornamental design for an adjustable work table or similar article, substantially as shown and described.

DESCRIPTION

FIG. 1 is a right front perspective view of an adjustable work table or similar article showing our design; FIG. 2 is a side view of the work table design, the opposite side being essentially a mirror image thereof; FIG. 3 is a front view of the work table design; FIG. 4 is a rear view of the work table design; FIG. 5 is a top view of the work table design; FIG. 6 is a right front perspective view of the adjustable work table or similar article showing same raised to an alternate position; FIG. 7 is a side view of the work table design as shown in FIG. 6, the opposite side being essentially a mirror image thereof; FIG. 8 is a front view of the work table design as shown in FIG. 6; and FIG. 9 is a rear view of the work table design as shown in FIG. 6.

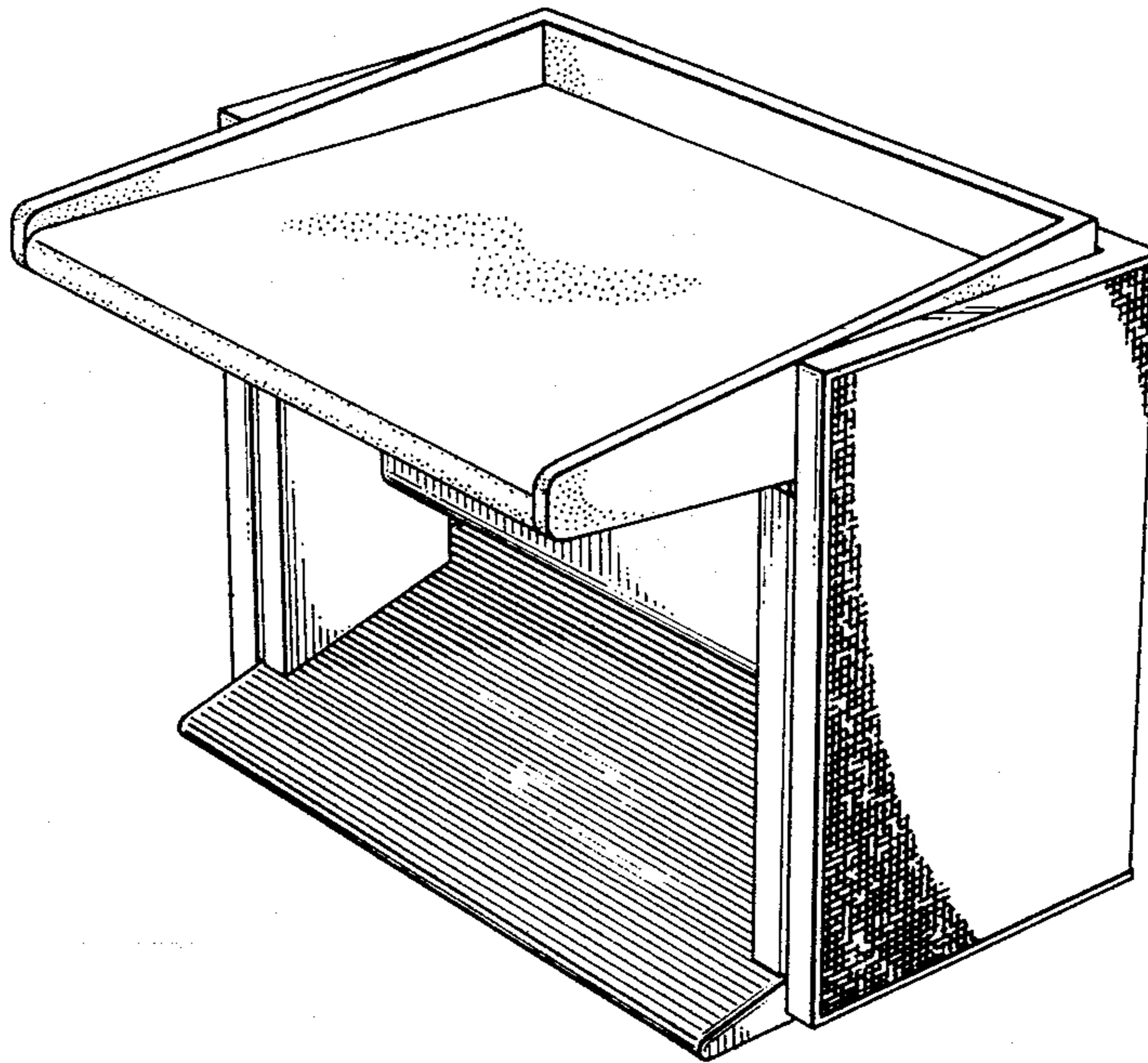


FIG. 1

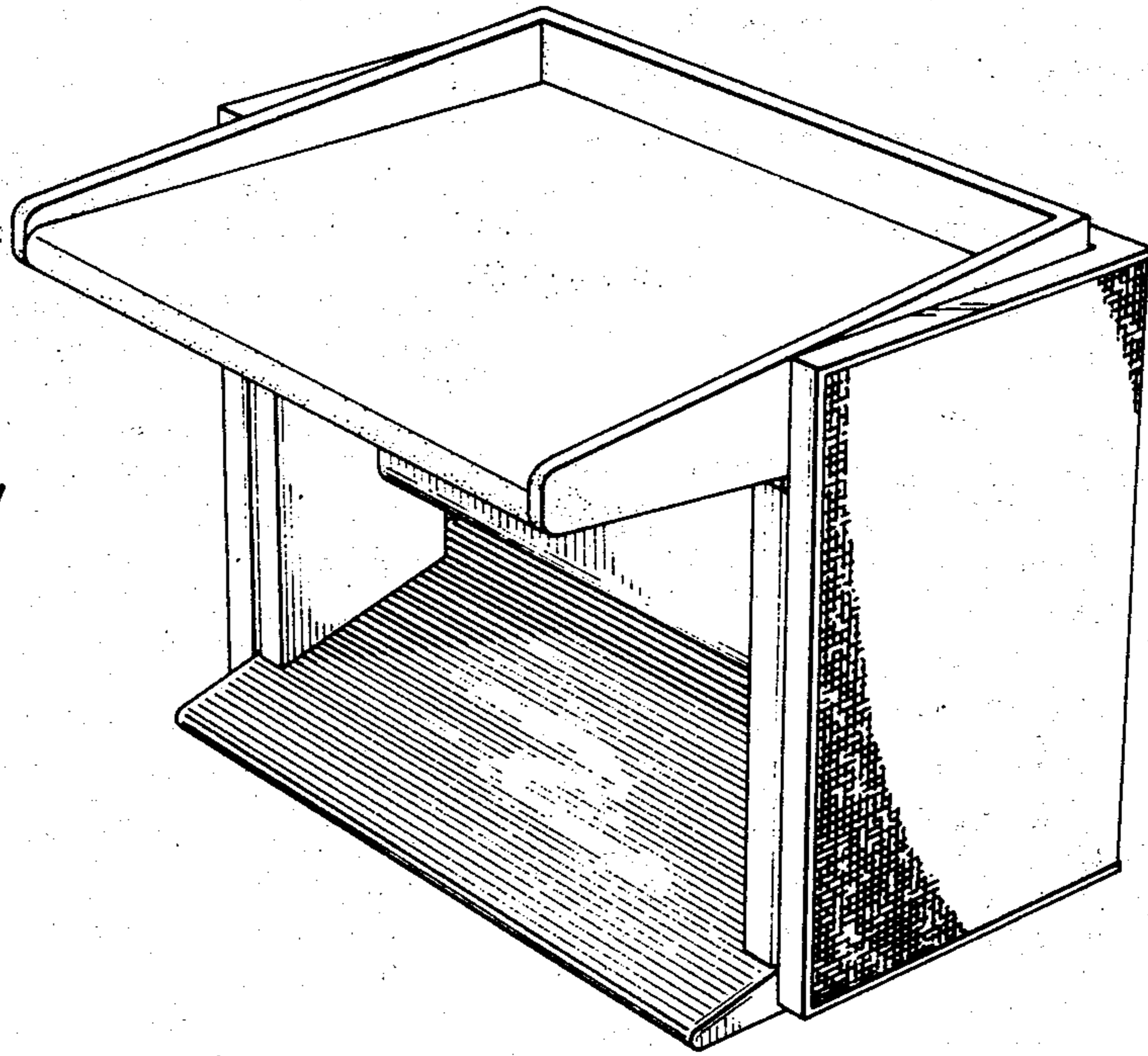


FIG. 2

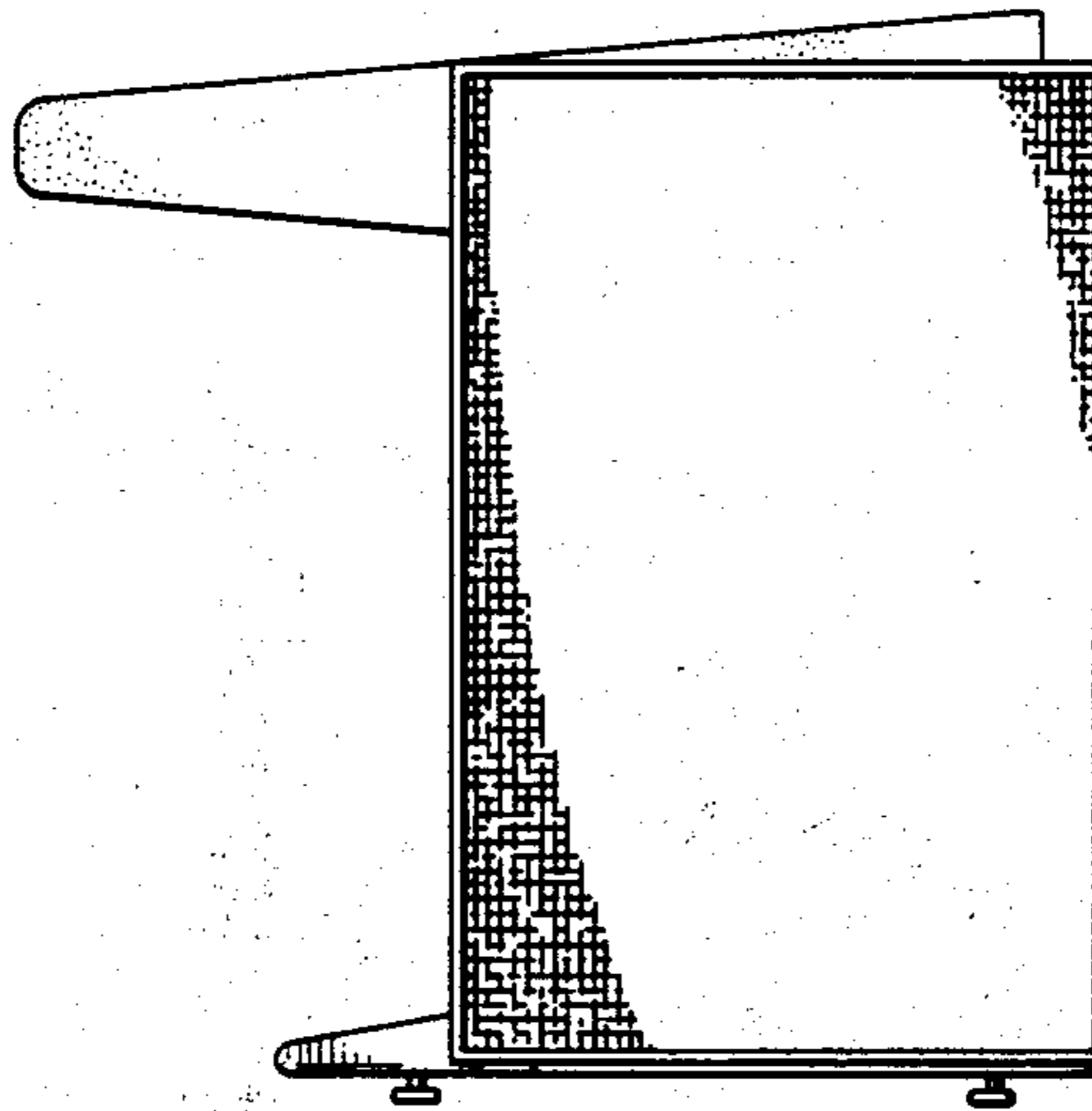


FIG. 3

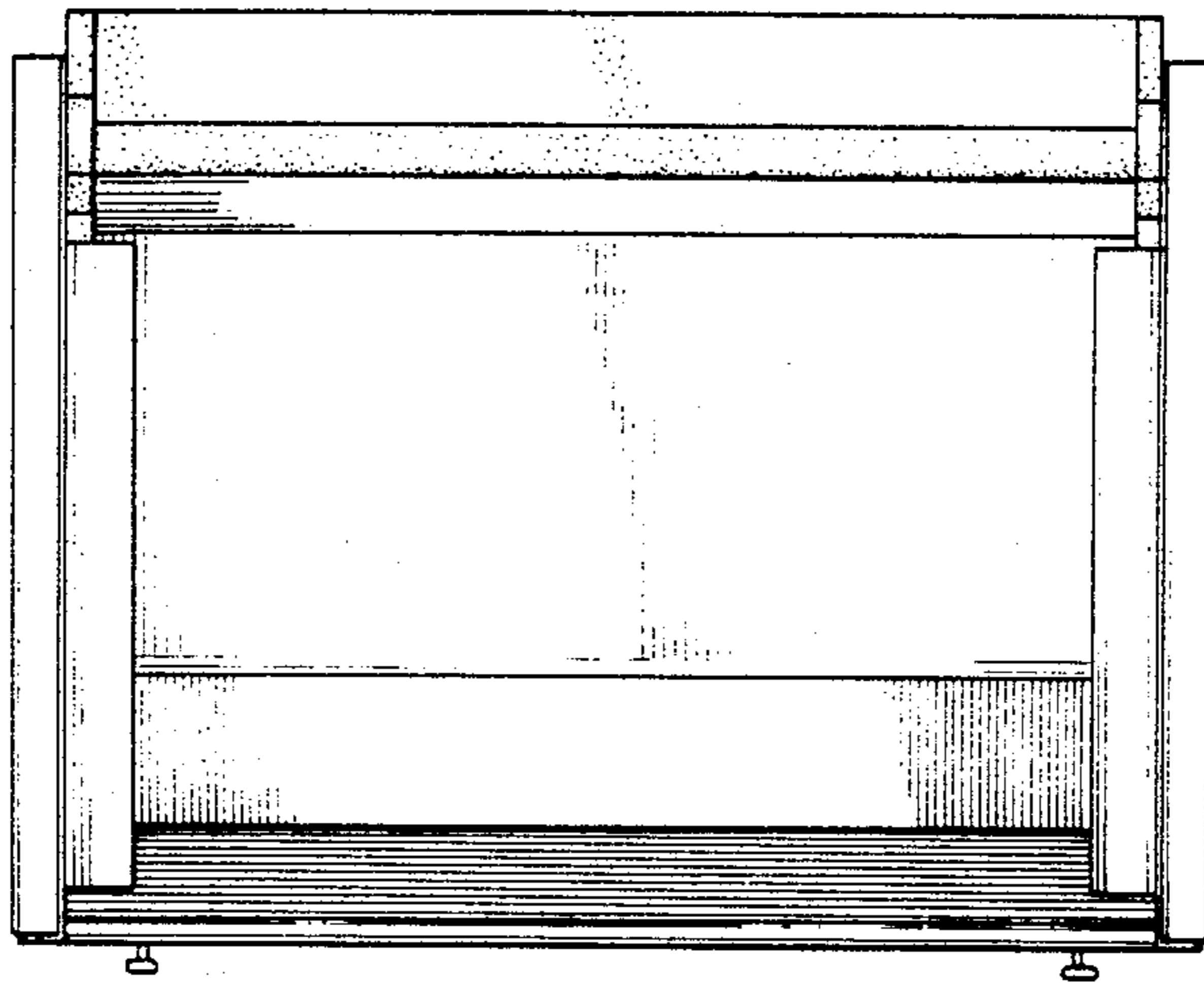


FIG. 4

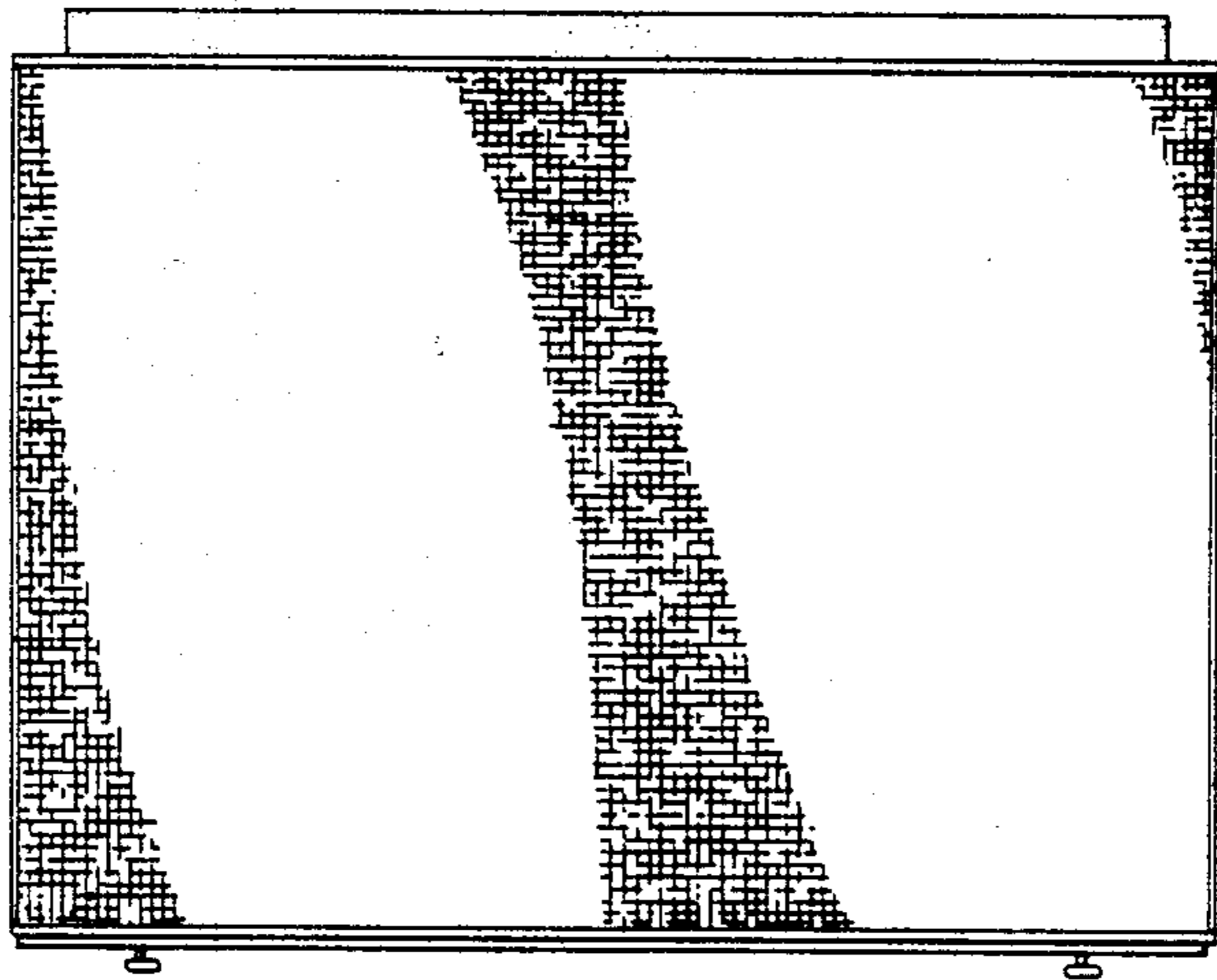


FIG. 5

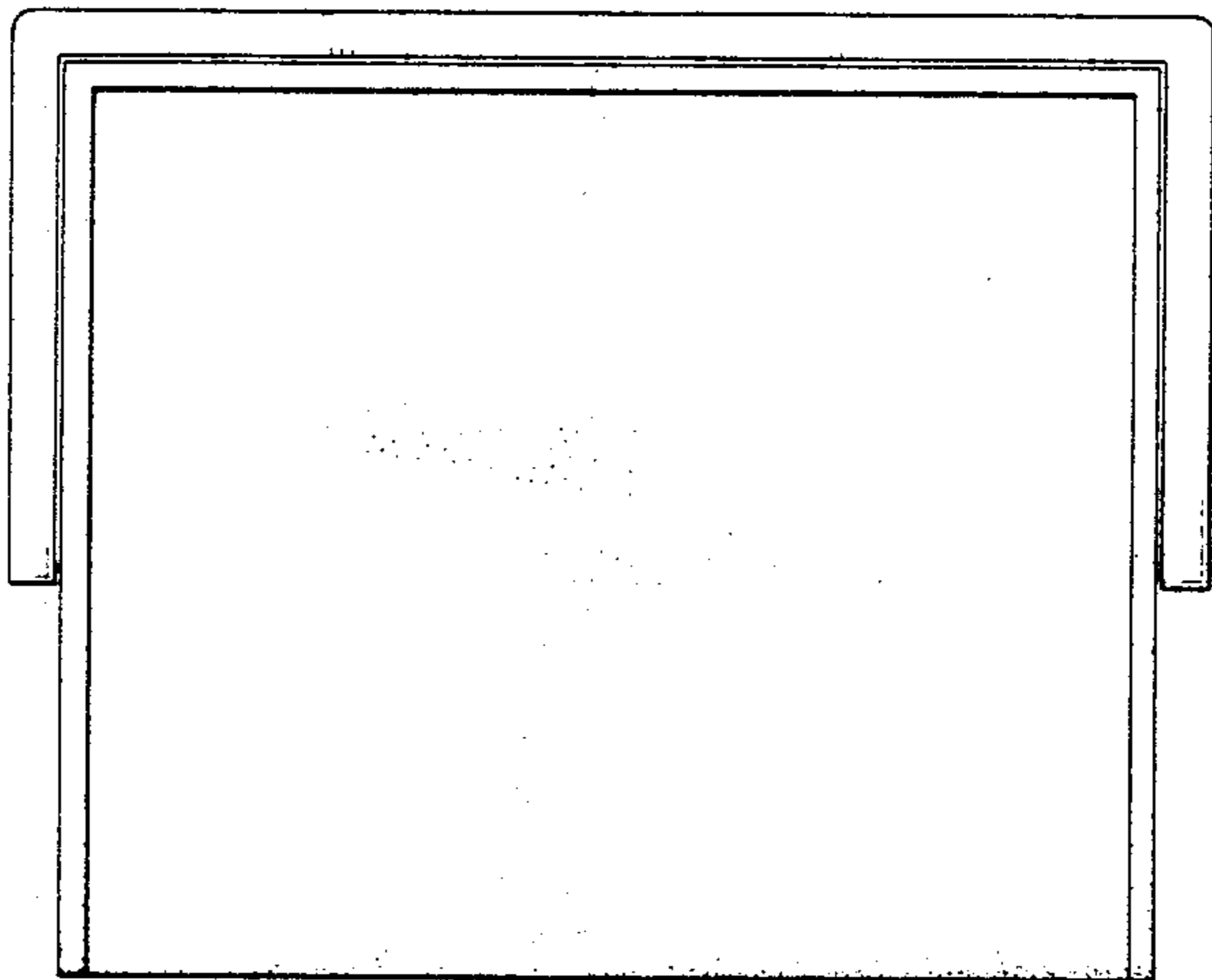


FIG. 6

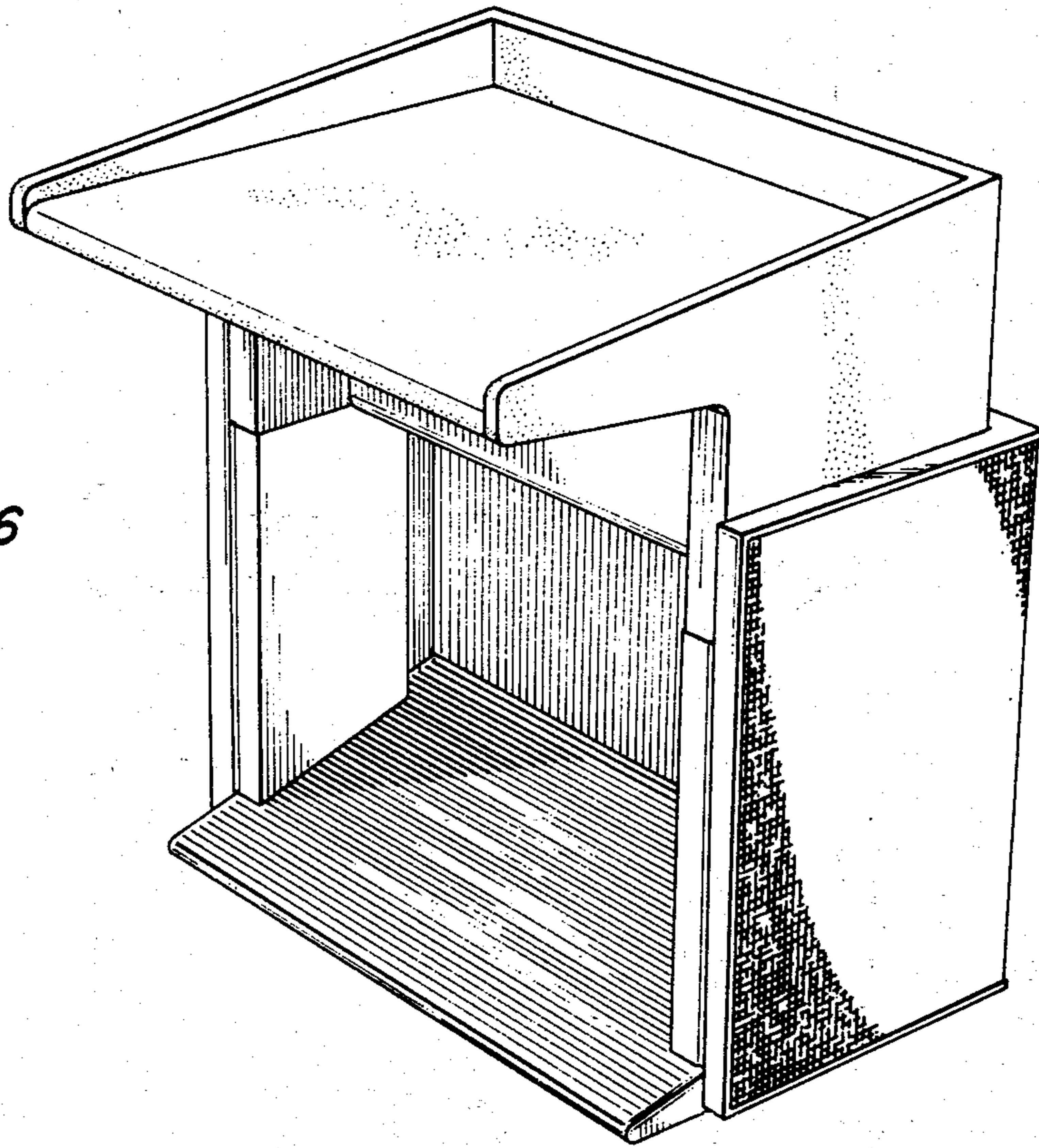


FIG. 7

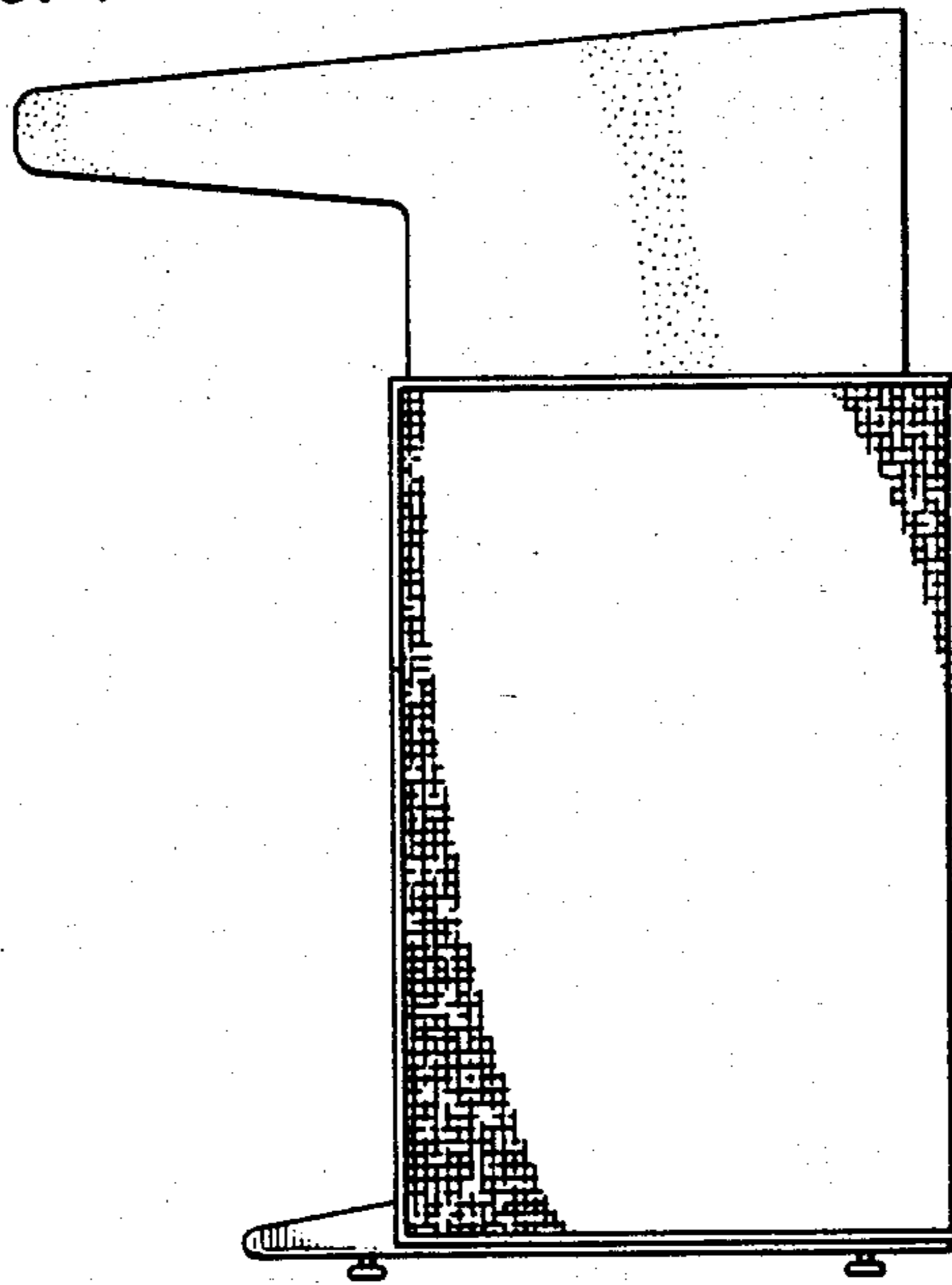


FIG. 8

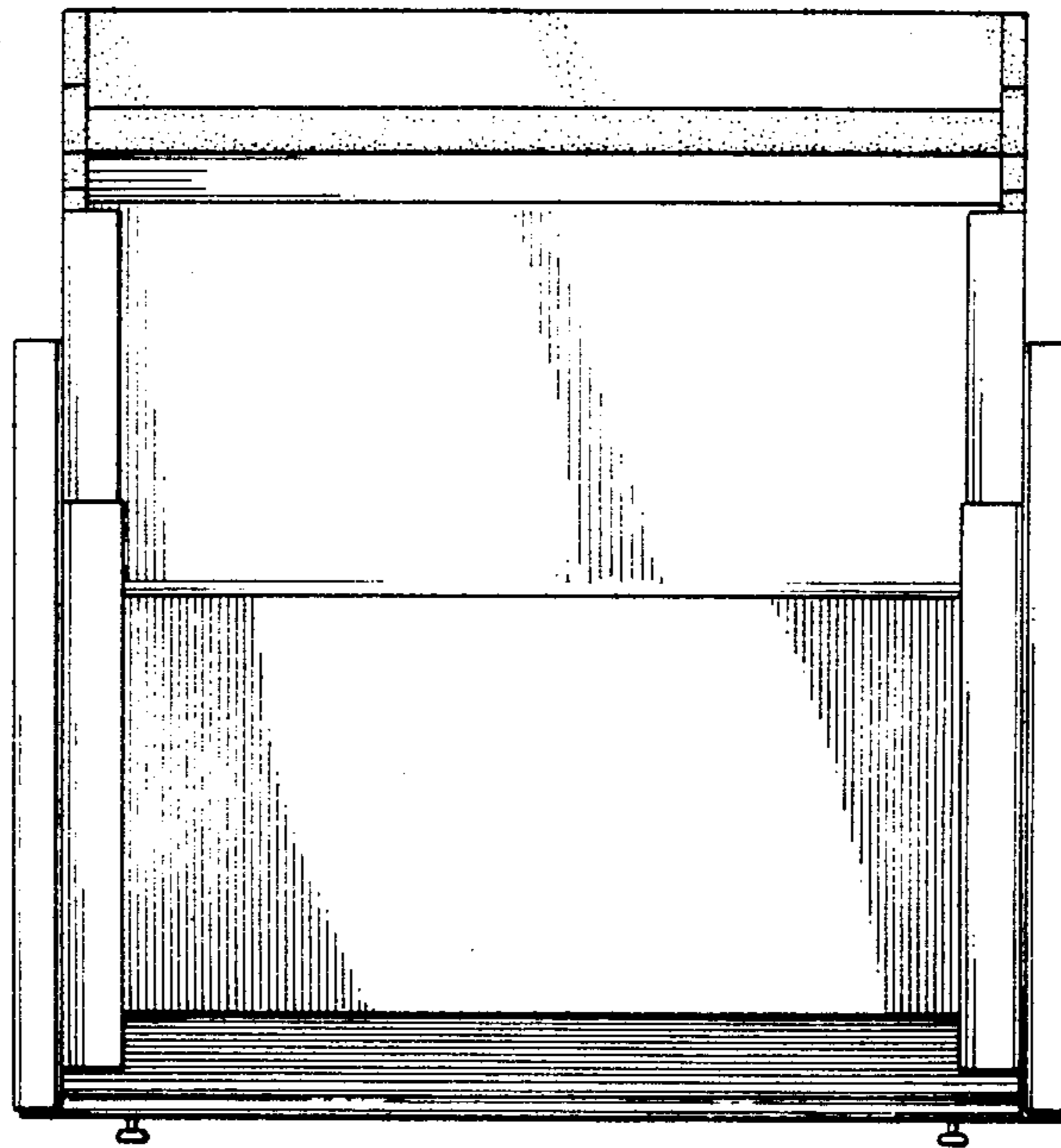


FIG. 9

