

- [54] **SOFA OR SIMILAR ARTICLE**
- [75] **Inventor: William B. Raftery, Arlington, Tex.**
- [73] **Assignee: Steelcase Inc., Grand Rapids, Mich.**
- [**] **Term: 14 Years**
- [21] **Appl. No.: 789,728**
- [22] **Filed: Oct. 21, 1985**

Related U.S. Application Data

- [62] **Division of Ser. No. 494,177, May 13, 1983.**
- [52] **U.S. Cl. D6/381**
- [58] **Field of Search D6/334, 335, 372, 375, D6/381; 297/232, 233, 445**

References Cited

U.S. PATENT DOCUMENTS

- D. 101,565 10/1936 Tyrrell D6/334
- D. 151,983 12/1948 Guertin .
- D. 194,850 3/1963 McCord .
- D. 237,436 11/1975 Warren D6/381
- D. 238,335 1/1976 Ocko et al. .
- D. 240,311 6/1976 Owens .
- D. 244,894 7/1977 Tillberg .
- D. 246,811 1/1978 Klein et al. D6/375
- D. 247,594 3/1978 Corson .
- D. 261,955 11/1981 Aronowitz et al. .
- D. 268,280 3/1983 Rodger .
- D. 270,308 8/1983 Aronowitz et al. .
- D. 273,351 4/1984 Crockett .
- D. 276,964 1/1985 Boland, II .

- 4,092,049 5/1978 Schoblom .
- 4,232,899 11/1980 Fister, Jr. .

OTHER PUBLICATIONS

Domus, Jul. 1970, p. 36, Chair bottom center.
 Newspaper advertisement printed in the Grand Rapids Press, Apr. 3, 1983.
 Vecta Contract Brochure, Tappo Seating; Miko Seating; Wilkhahn 84 Series.
 Interiors, Sep. 1977, p. 52, Bench bottom center.
 Interiors, Jun. 1980, p. 44, bottom center, Chair in panel 8.

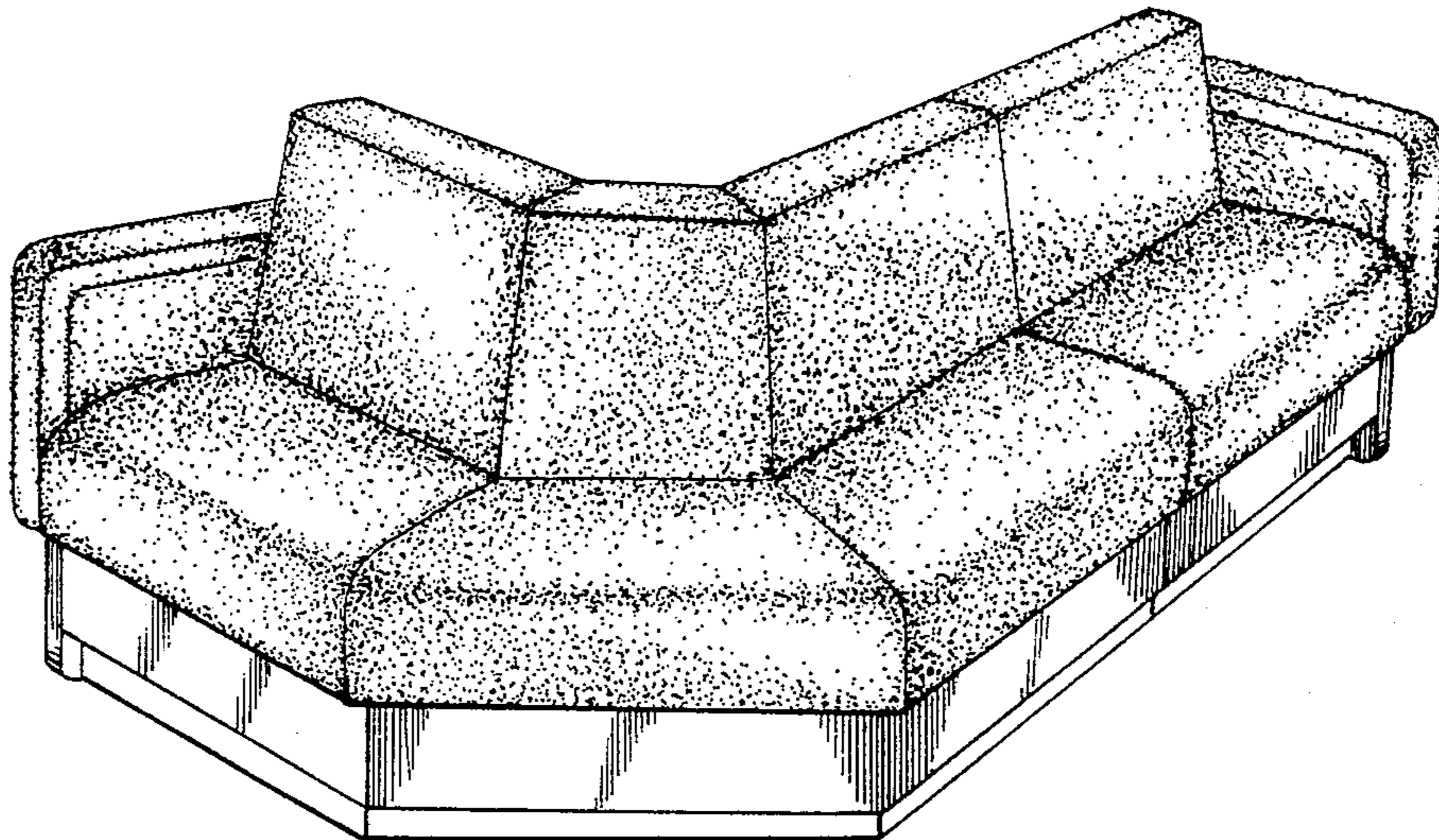
Primary Examiner—Bruce W. Dunkins
Attorney, Agent, or Firm—Price, Heneveld, Cooper, DeWitt & Litton

[57] **CLAIM**

The ornamental design for a sofa or similar article, as shown and described.

DESCRIPTION

FIG. 1 is a front perspective view of a sofa showing my design;
 FIG. 2 is a rear perspective view thereof;
 FIG. 3 is a top plan view thereof;
 FIG. 4 is a front elevational view thereof;
 FIG. 5 is a rear elevational view thereof;
 FIG. 6 is a side elevational view thereof;
 FIG. 7 is a front perspective view of a modified form of the sofa of FIG. 1; and
 FIG. 8 is a rear perspective view thereof.



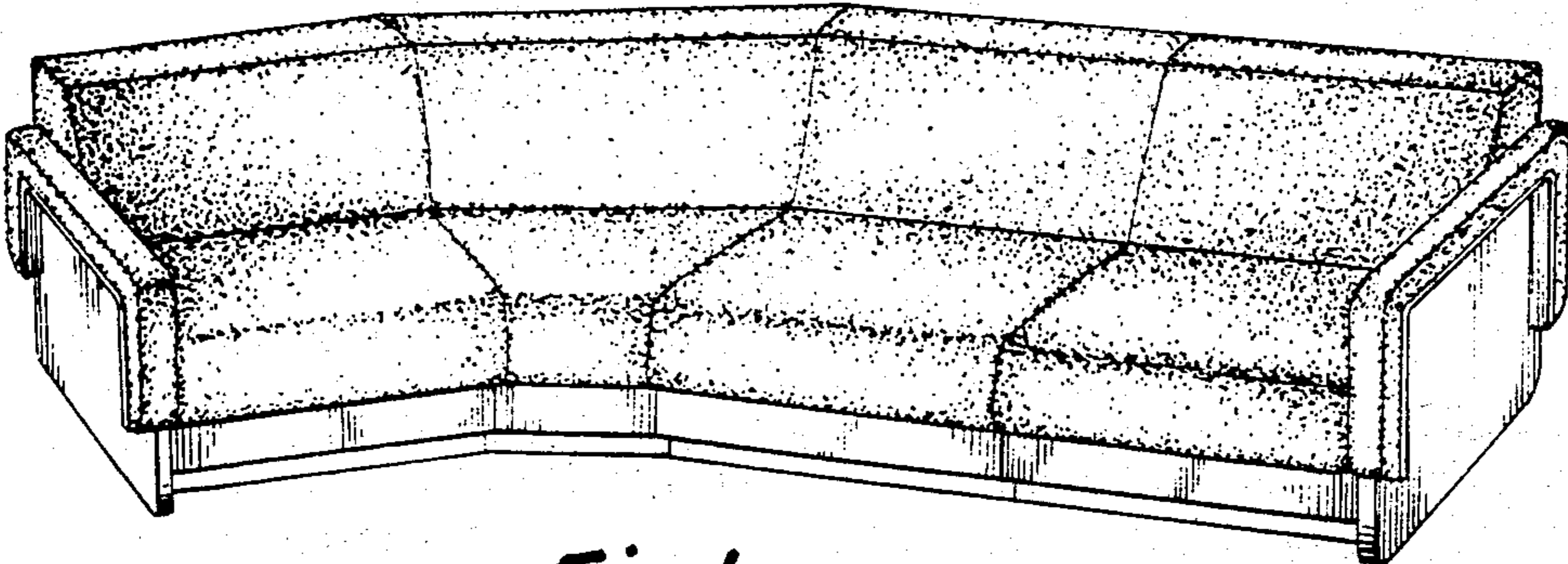


Fig. 1

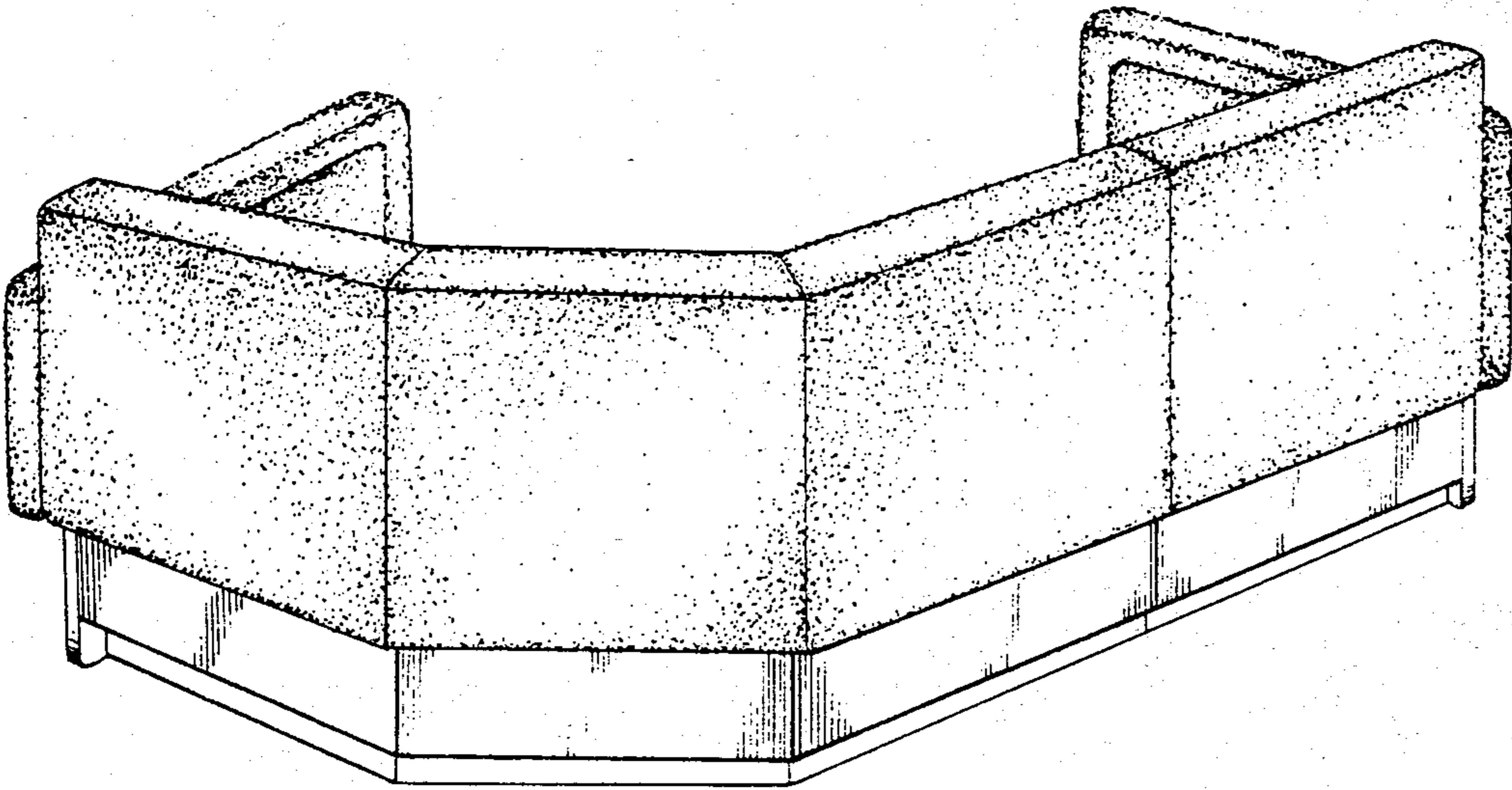


Fig. 2.

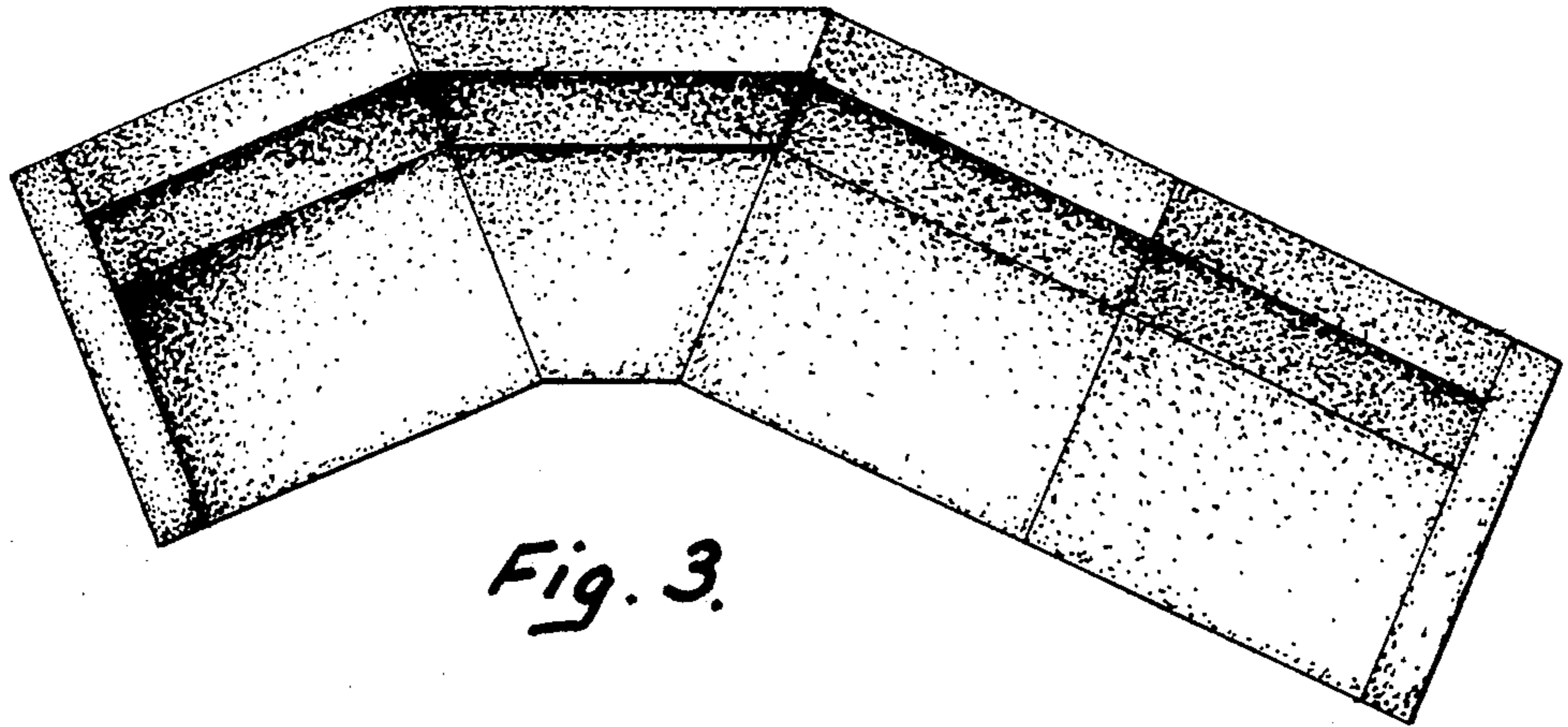


Fig. 3.

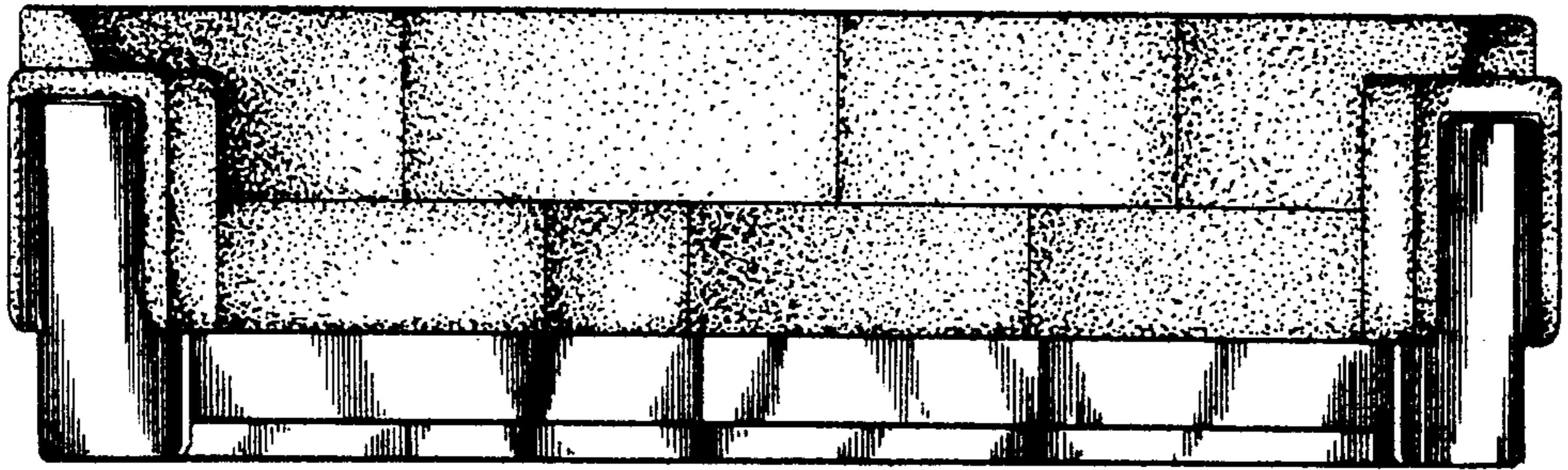


Fig. 4.

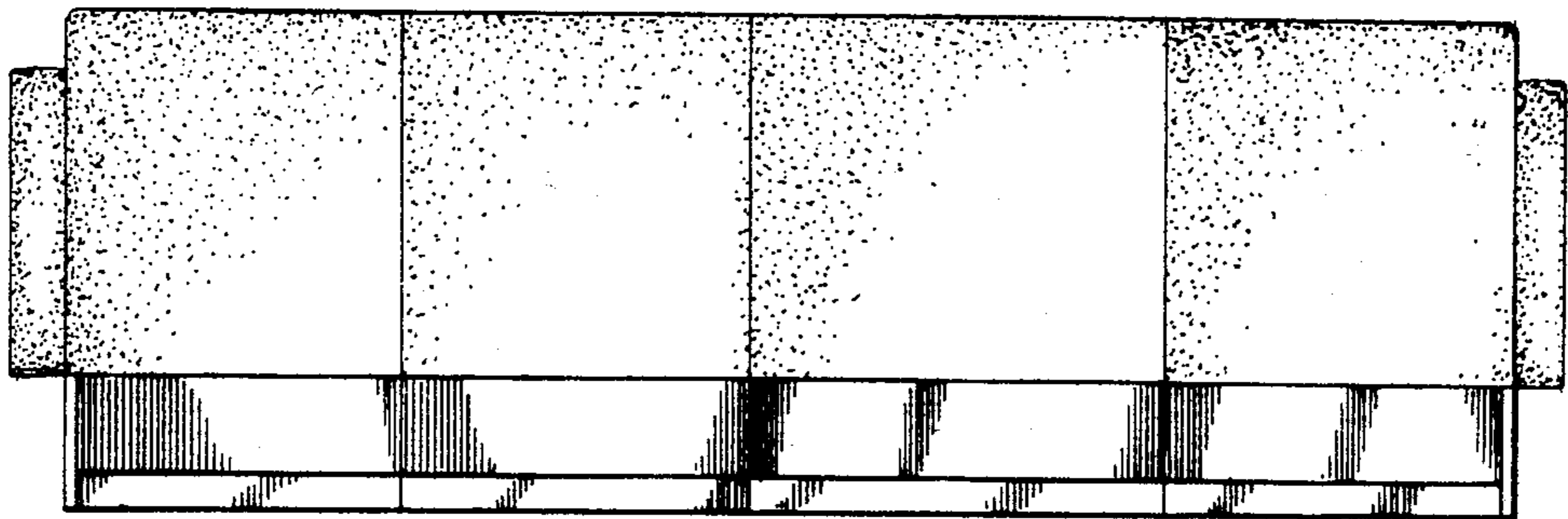


Fig. 5.

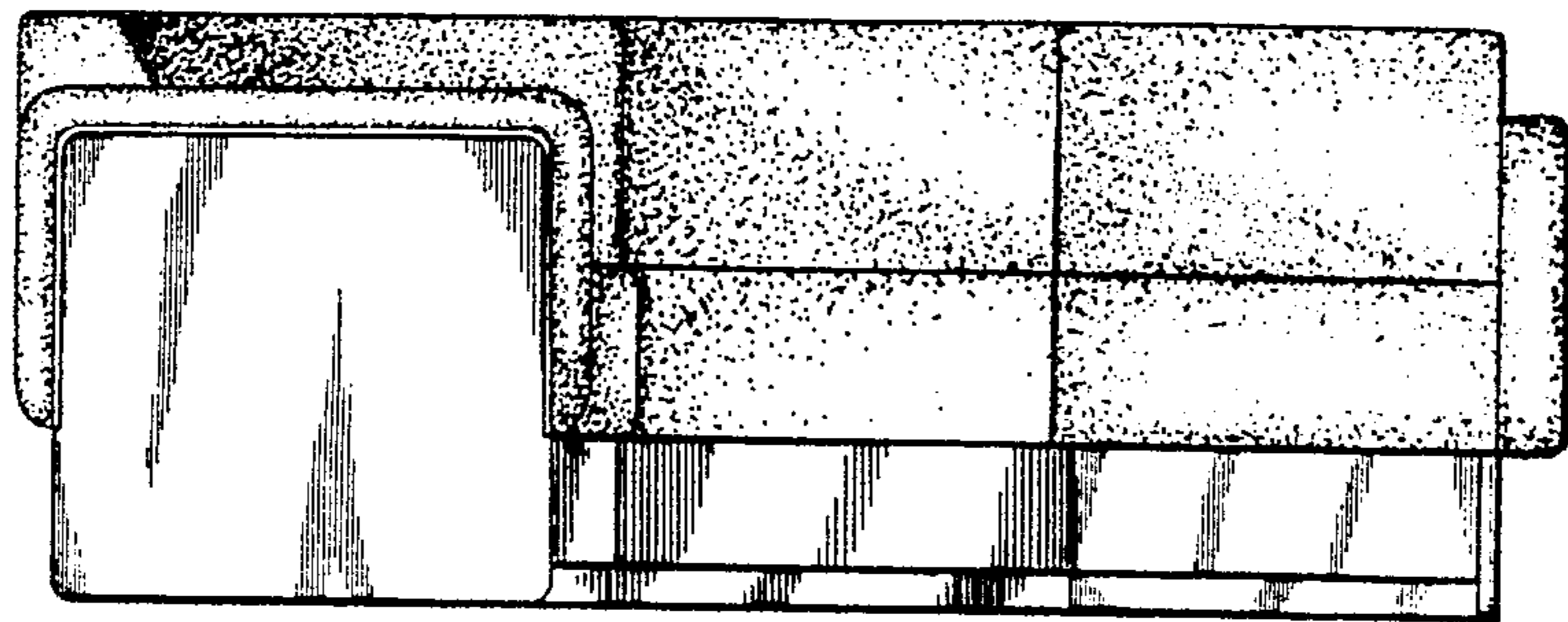


Fig. 6.

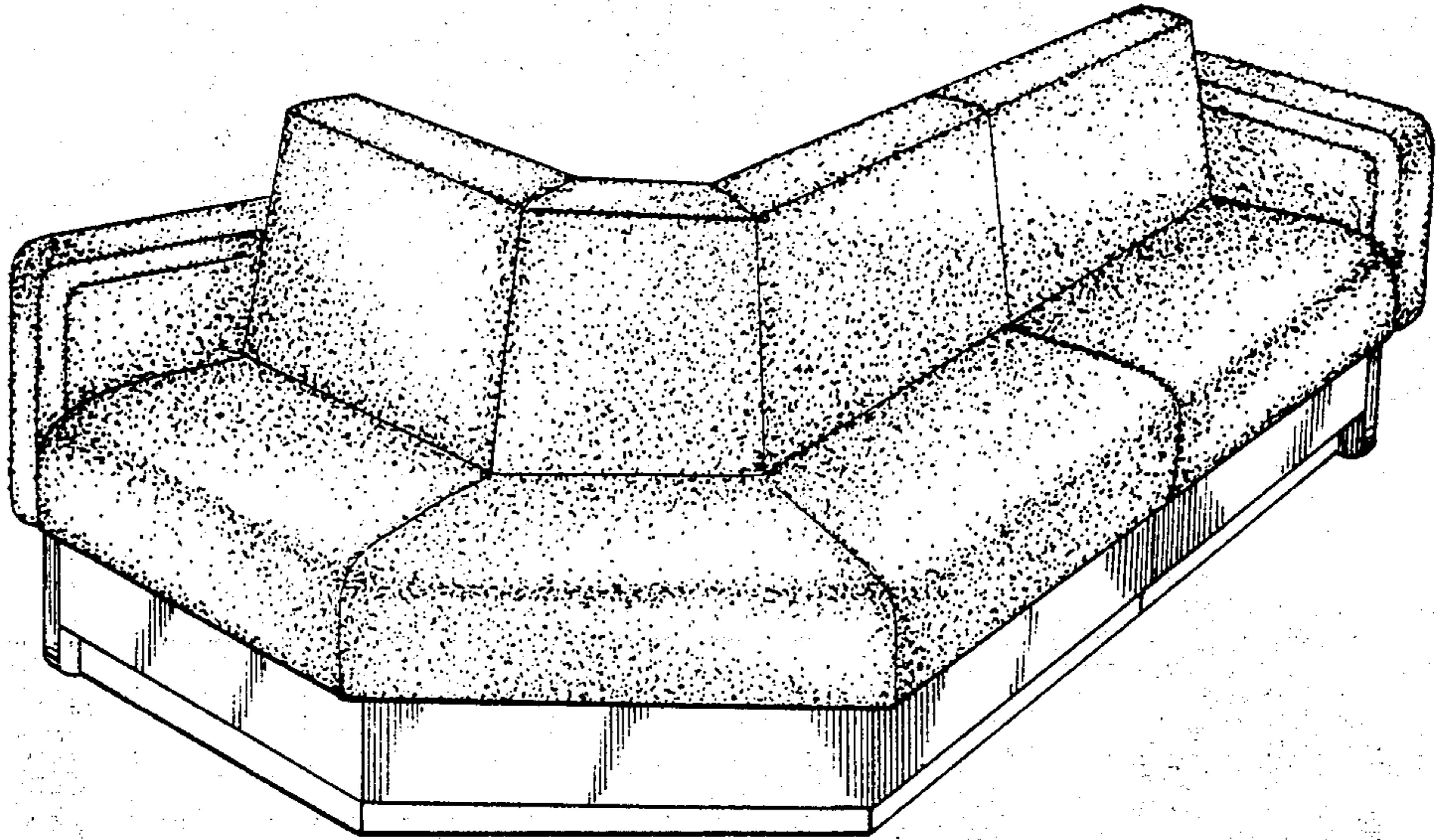


Fig. 7.

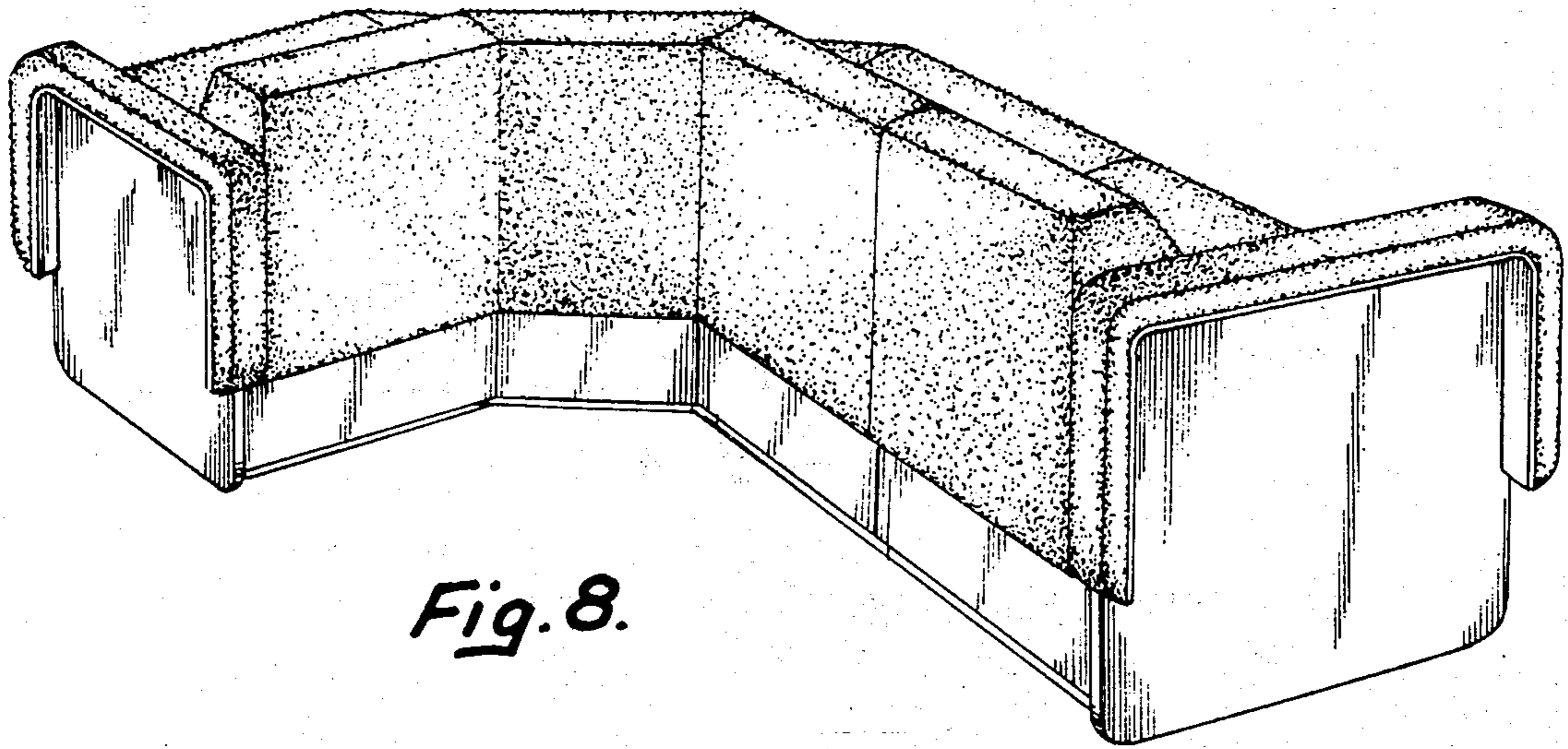


Fig. 8.