

[54] **ARMCHAIR**

[75] **Inventor: Egon Bräuning, Weil am Rhein, Fed. Rep. of Germany**

[73] **Assignee: Fehlbaum & Co., Dornach, Switzerland**

[**] **Term: 14 Years**

[21] **Appl. No.: 537,292**

[22] **Filed: Sep. 29, 1983**

[52] **U.S. Cl. D6/366**

[58] **Field of Search D6/366, 365; 297/353, 297/354, 445, 457**

[56] **References Cited**

U.S. PATENT DOCUMENTS

D. 274,769	7/1984	Klier	D6/366
D. 275,053	8/1984	Stephens	D6/366
D. 275,430	9/1984	Ochsner	D6/366
4,032,190	6/1977	Müller-Deisig	D6/367 X

OTHER PUBLICATIONS

Design Catalog, Apr. 1981, p. 40, Chair at top of page, Vitra Adv.

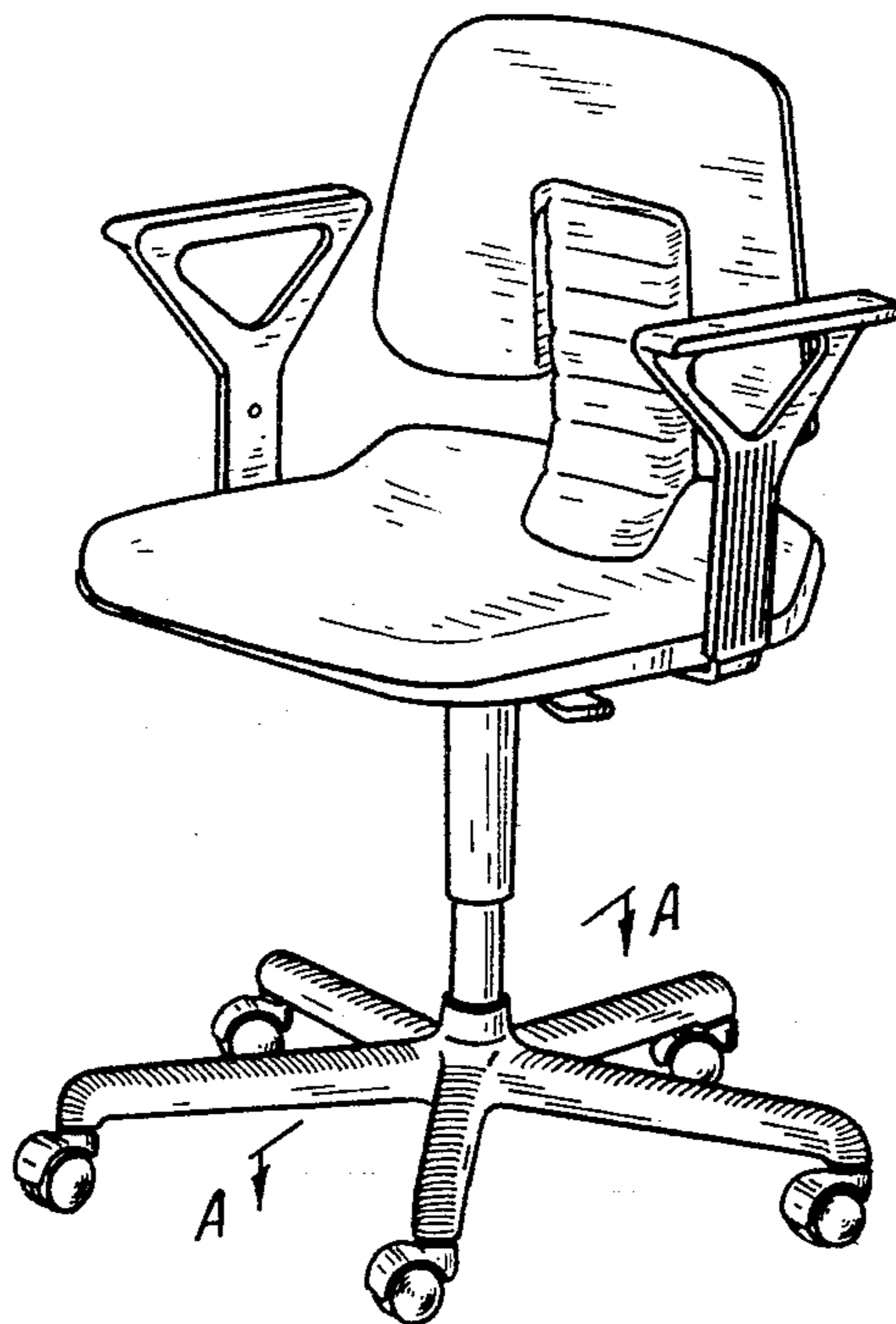
Primary Examiner—Bruce W. Dunkins
Attorney, Agent, or Firm—Ladas & Parry

[57] **CLAIM**

The ornamental design for a armchair, substantially as shown.

DESCRIPTION

FIG. 1 is a perspective view of a chair showing my new design;
FIG. 2 is a front elevational view thereof;
FIG. 3 is a rear elevational view thereof;
FIG. 4 is a top plan view thereof;
FIG. 5 is a right side elevational view thereof;
FIG. 6 is a left side elevational view thereof; and
FIG. 7 is a bottom plan view thereof;
The design is characterized by the particular armrest members in combination with the seat and the backrest members as best illustrated in FIGS. 1, 3 and 5.



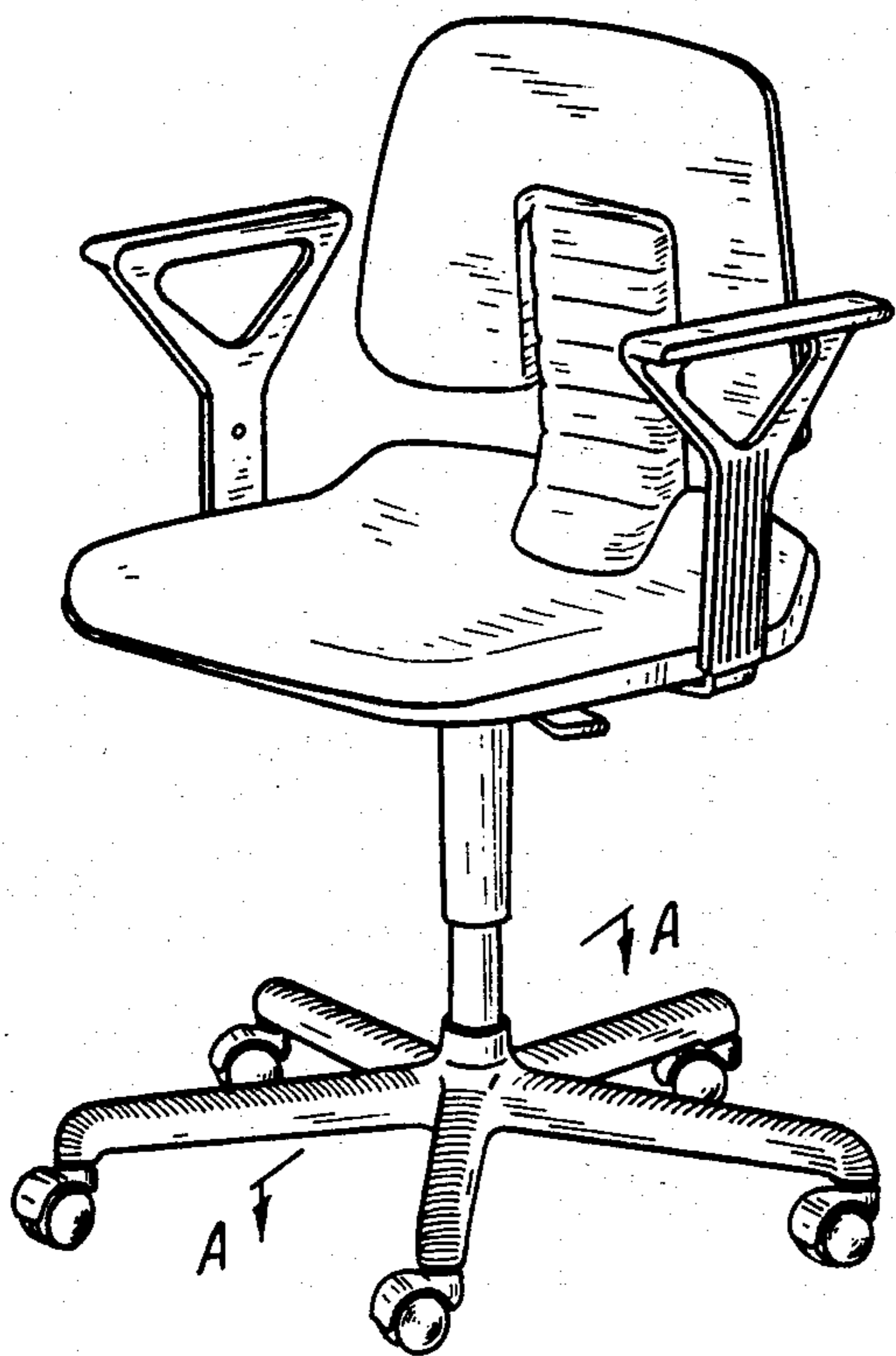


FIG. 1

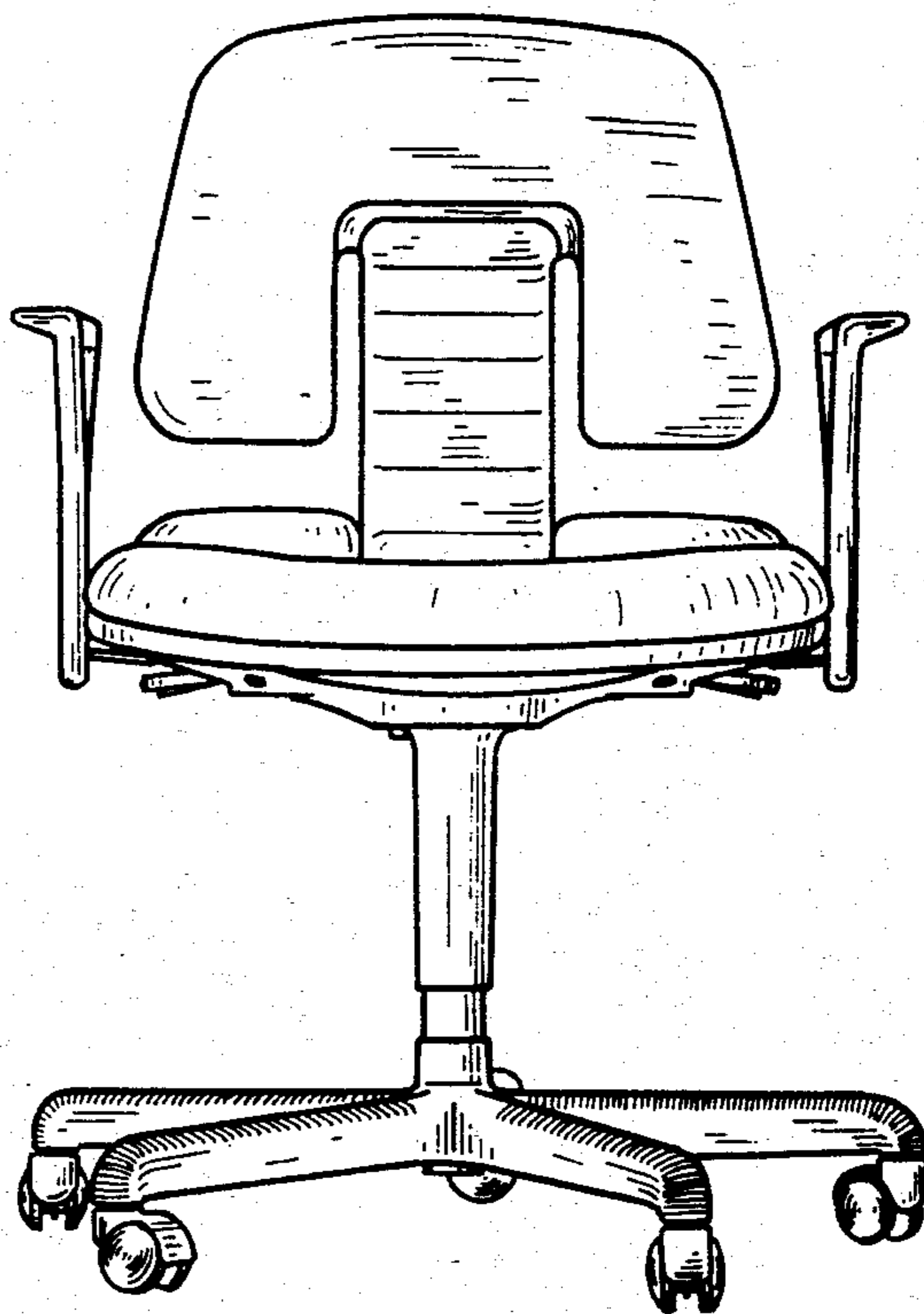


FIG. 2

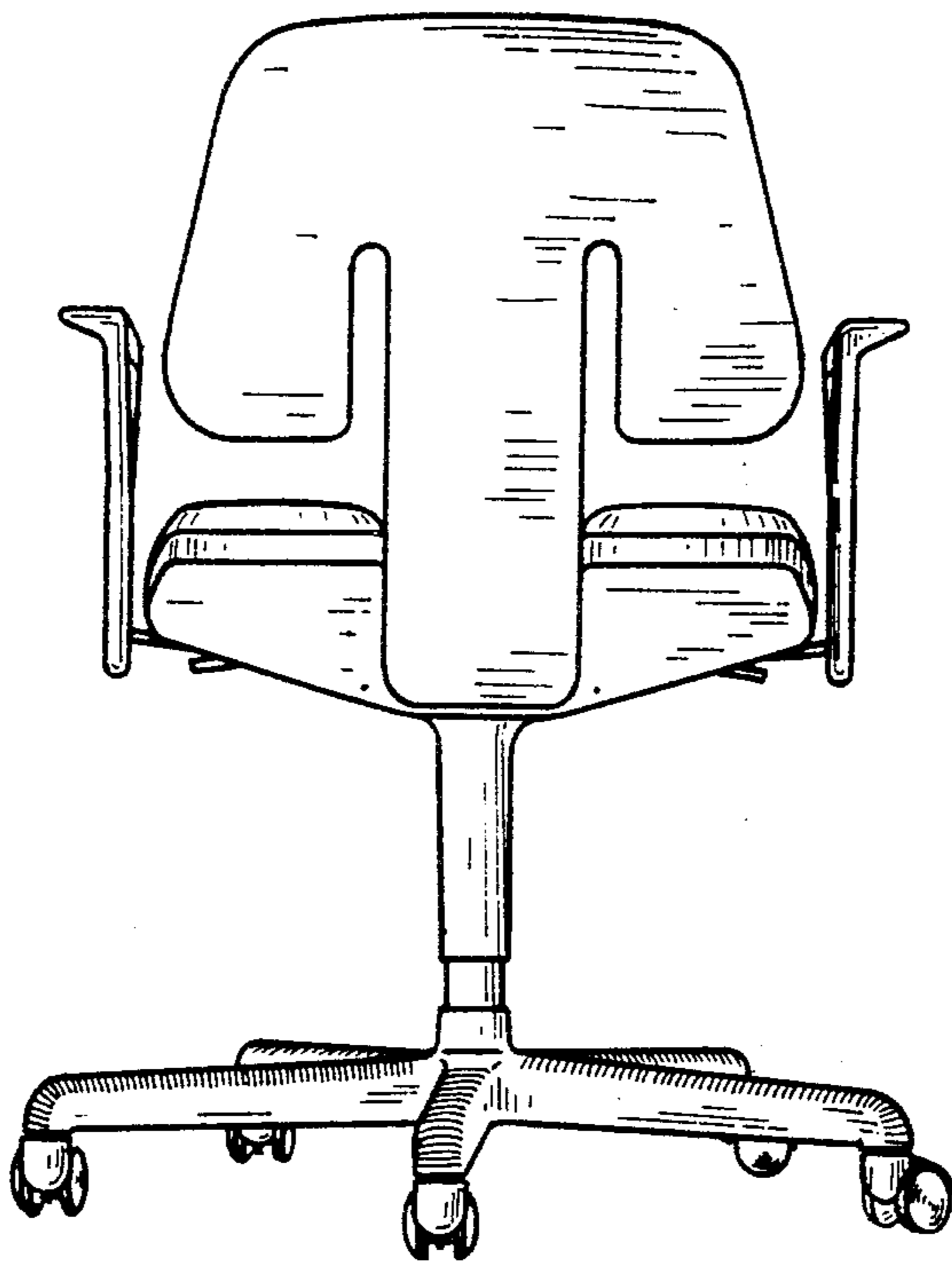


FIG. 3

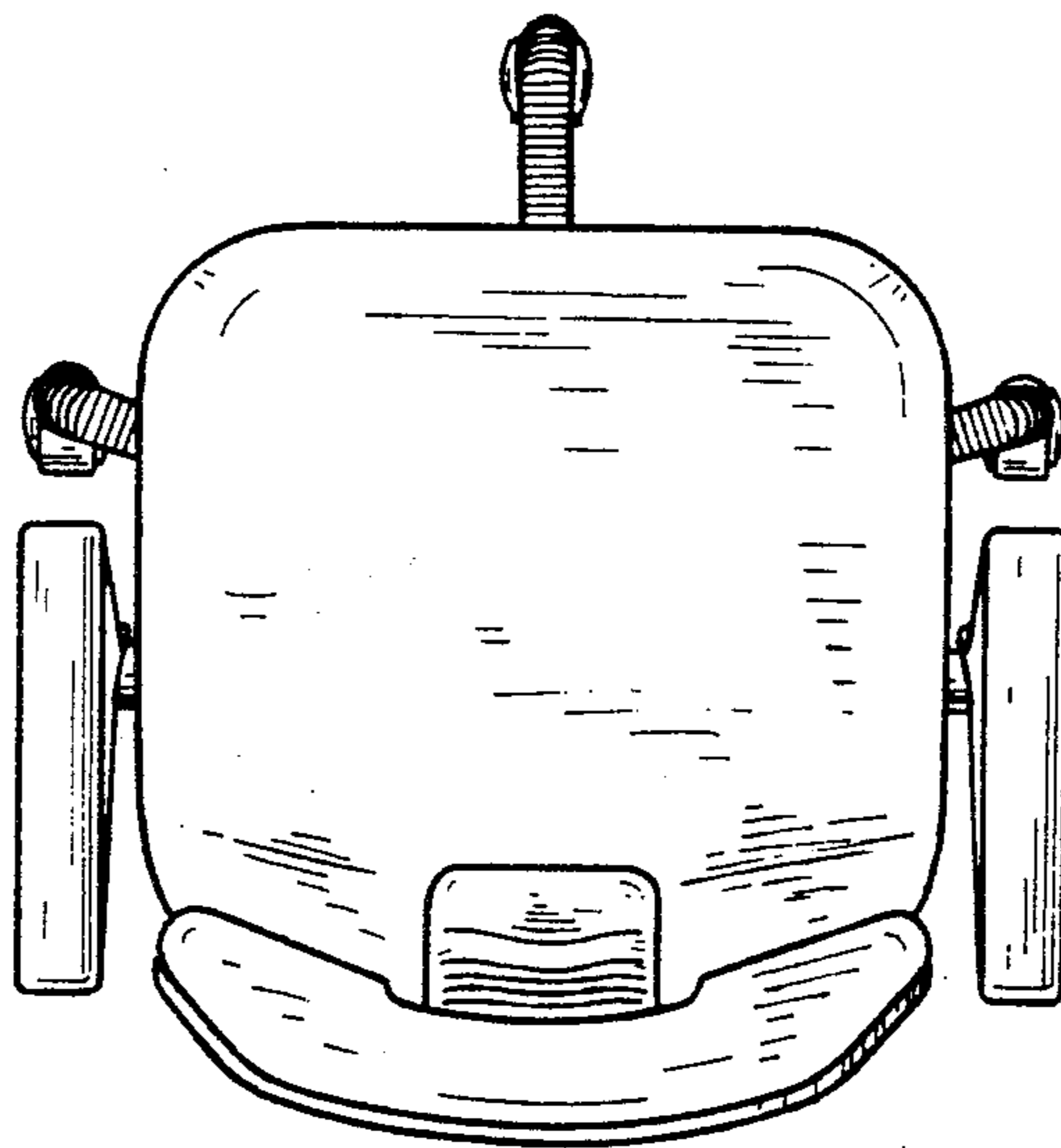


FIG. 4

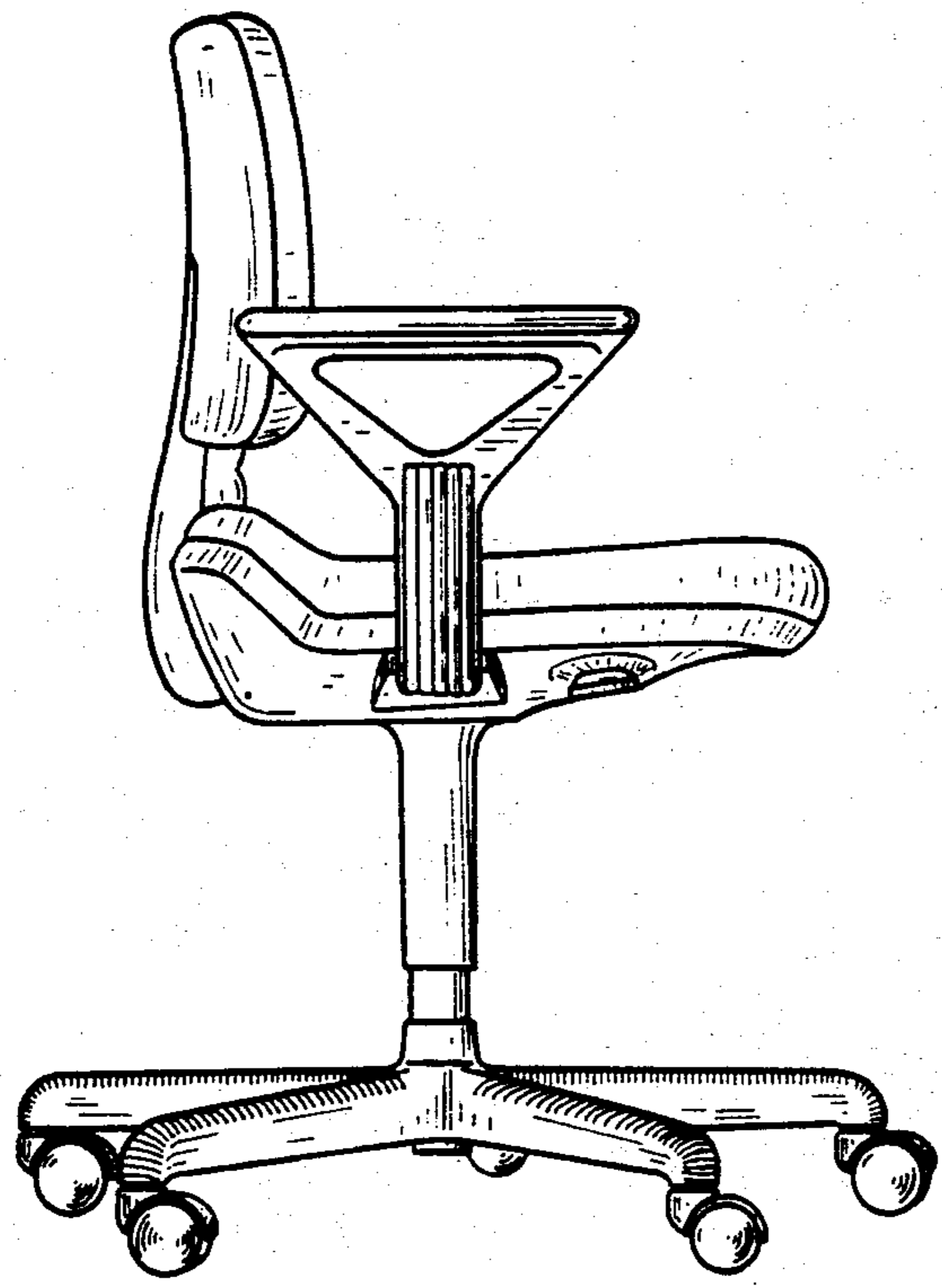


FIG. 5

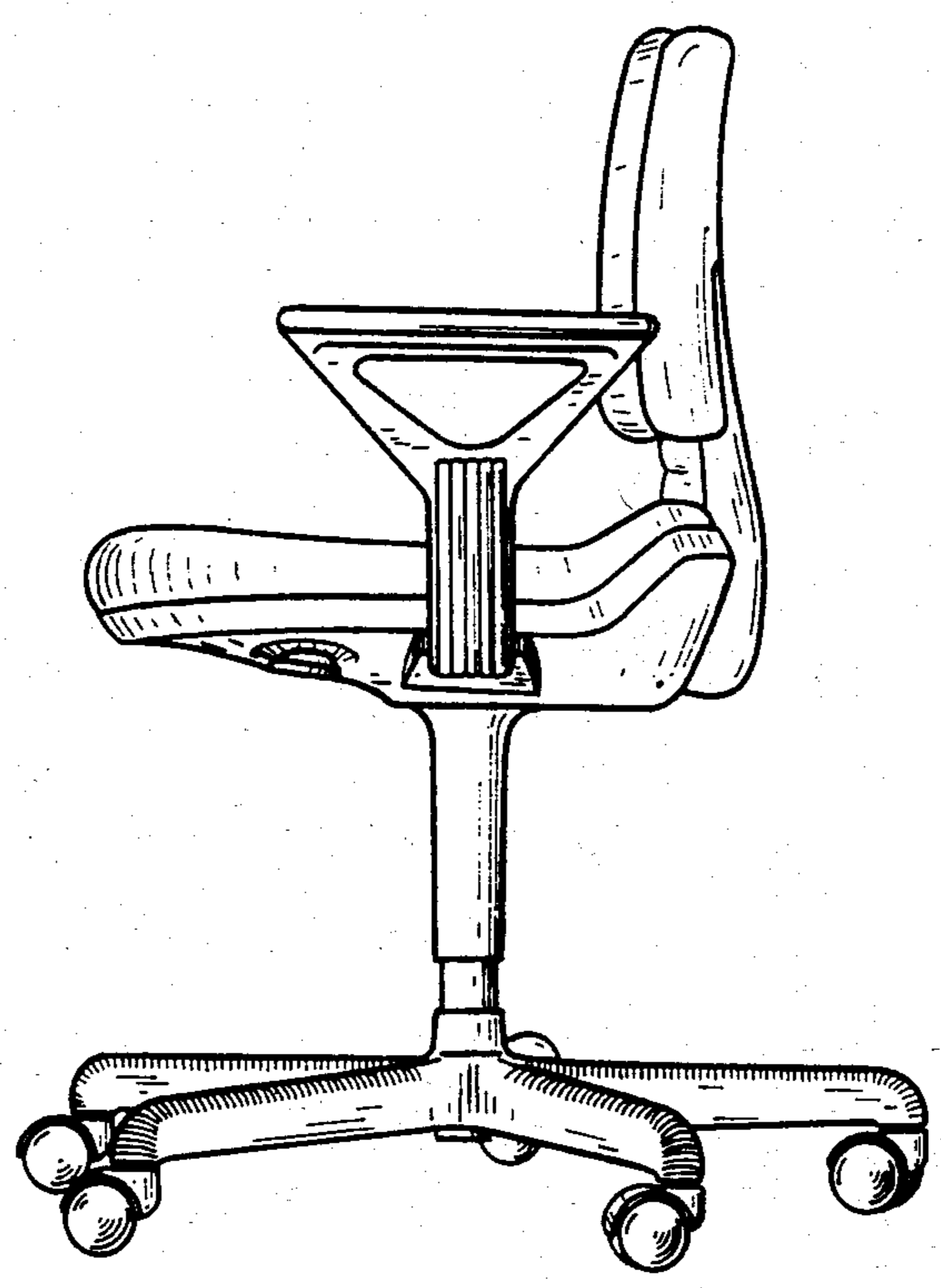


FIG. 6

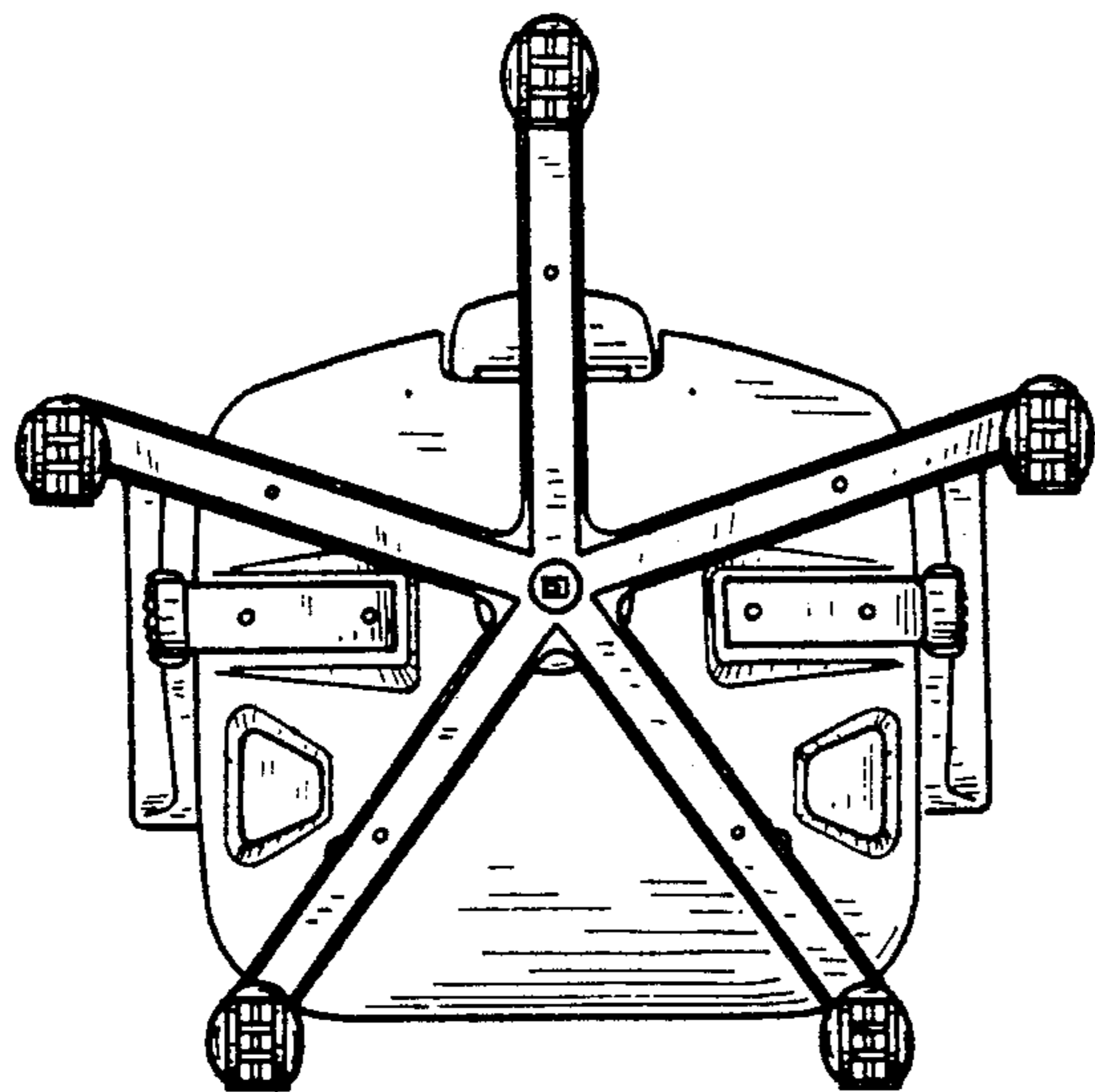


FIG. 7