

[54] **CHAIR**
[75] **Inventor: Gregg Heyl, Westminster, Calif.**
[73] **Assignee: Virco Mfg. Corporation, Los Angeles, Calif.**
[**] **Term: 14 Years**
[21] **Appl. No.: 662,712**
[22] **Filed: Oct. 19, 1984**
[52] **U.S. Cl. D6/365**
[58] **Field of Search D6/364, 365, 366, 379, D6/380, 370; 297/445**

D. 279,243 6/1985 Vanderminde D6/370
D. 285,629 9/1986 Franck et al. D6/366

OTHER PUBLICATIONS

Ekornes Catalog, 1983, p. 49, Chair bottom left.

Primary Examiner—Bruce W. Dunkins
Attorney, Agent, or Firm—James E. Brunton

[57] **CLAIM**

The ornamental design for chair, substantially as shown and described.

DESCRIPTION

FIG. 1 is a side view of a chair showing my new design;
FIG. 2 is a front view thereof;
FIG. 3 is a rear view;
FIG. 4 is a top view of the chair; and
FIG. 5 is a bottom view thereof.
The side of the chair not shown is a mirror image of the side shown in FIG. 1.

[56] **References Cited**

U.S. PATENT DOCUMENTS

D. 218,816 9/1970 Leaver D6/365
D. 270,309 8/1983 Ochsner D6/366
D. 273,916 5/1984 Murry D6/366
D. 275,430 9/1984 Ochsner D6/366

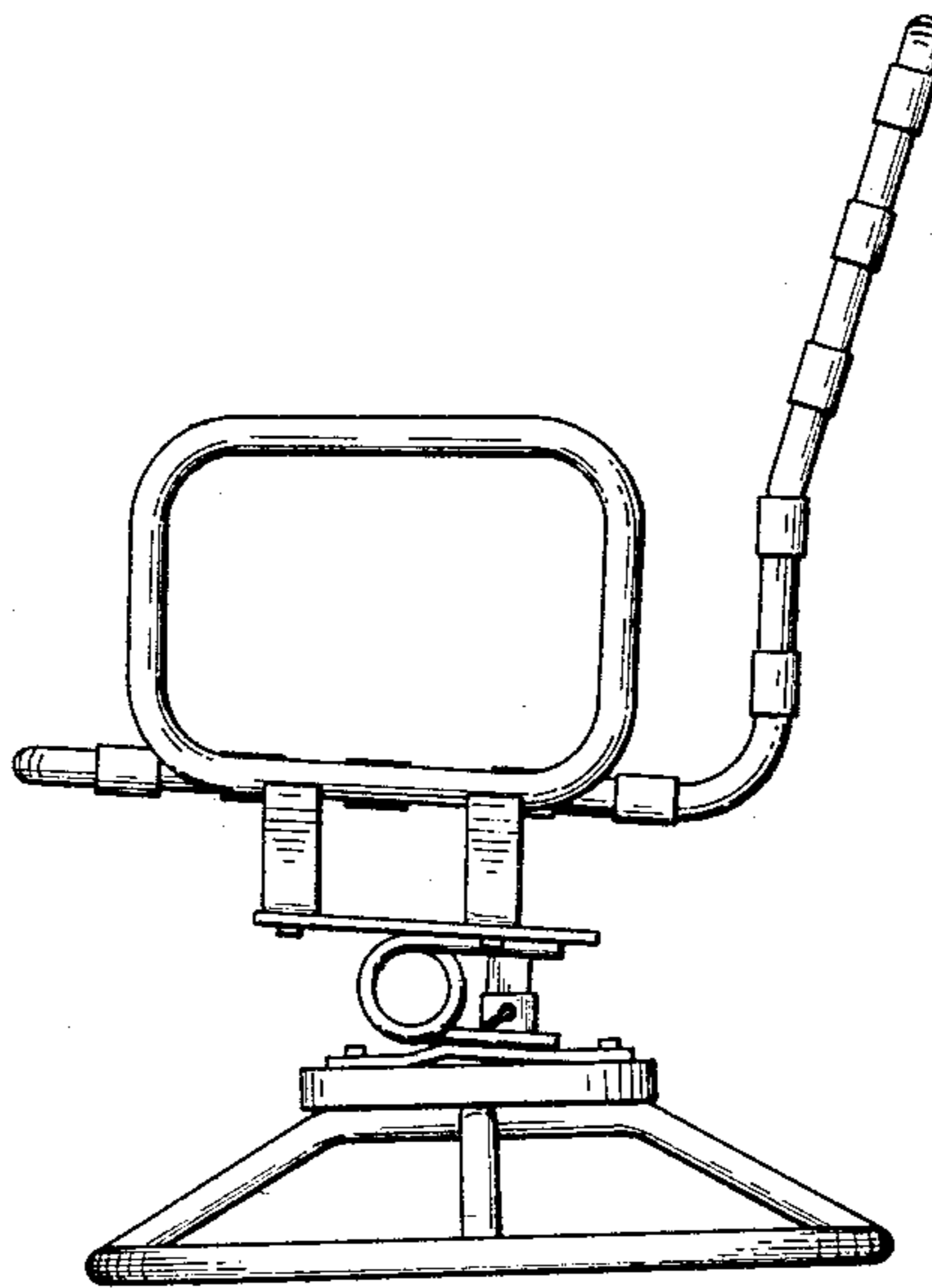


FIG. 1

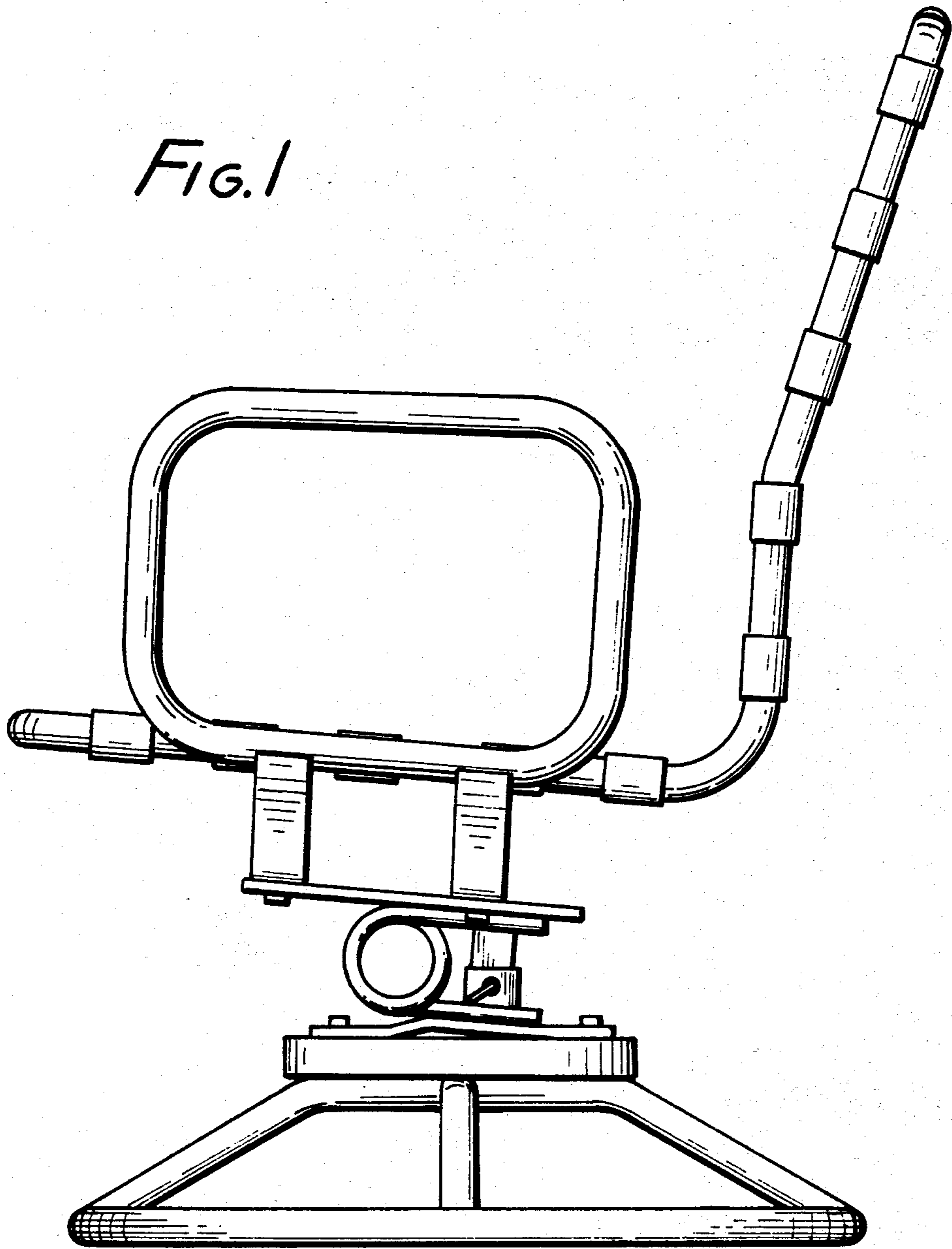


FIG. 2

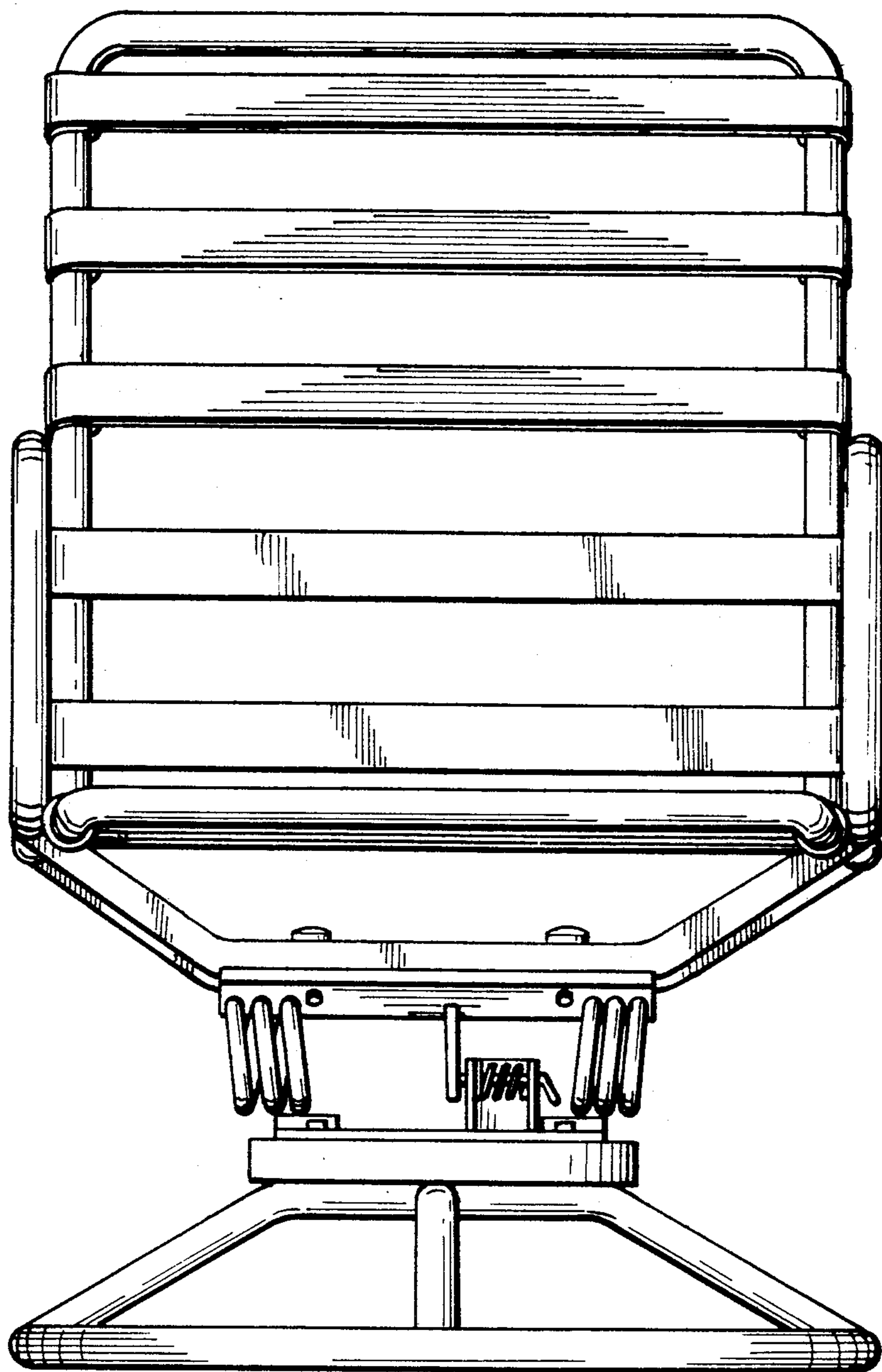


FIG. 3

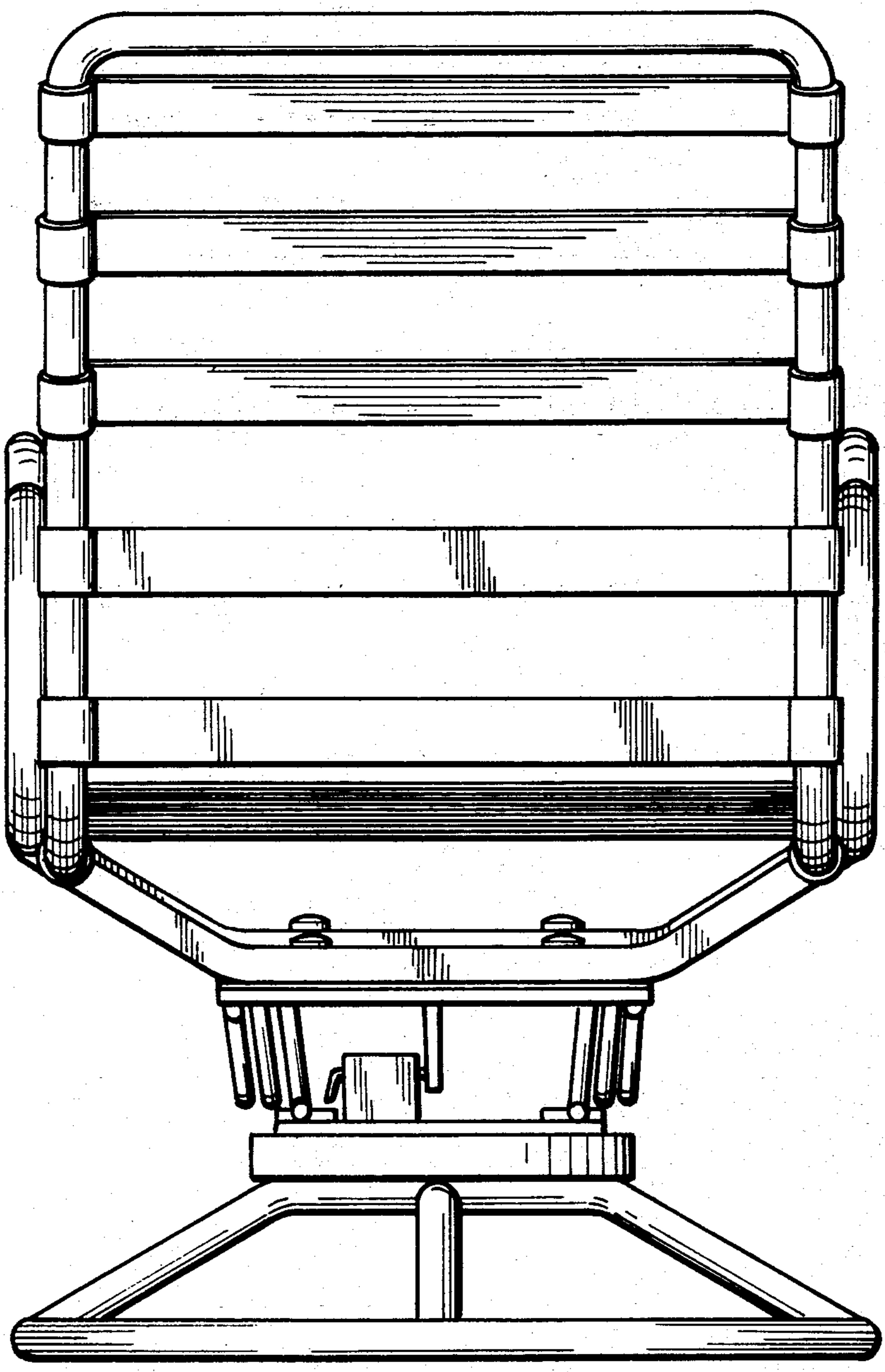


FIG. 4

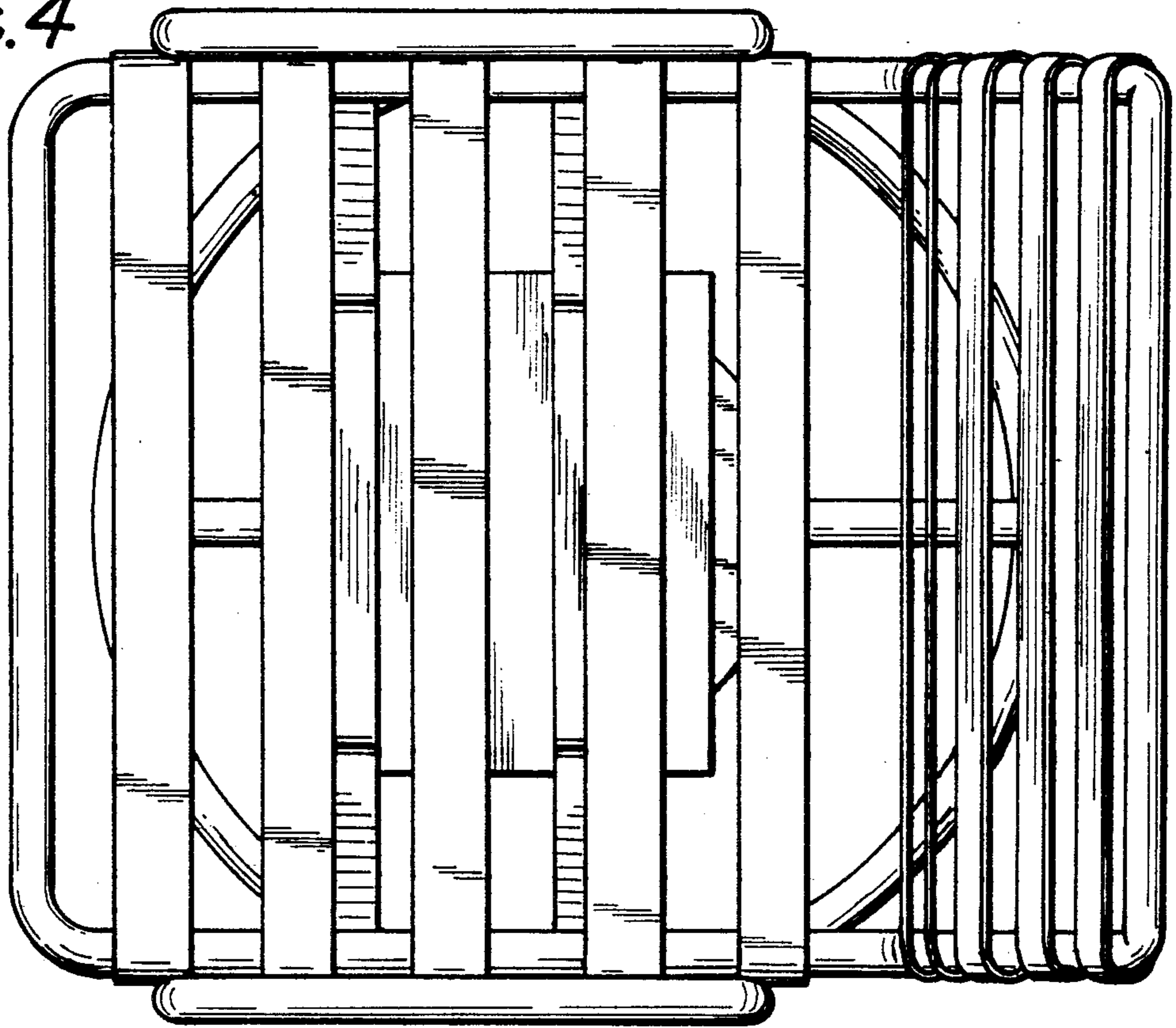


FIG. 5

