

[54] STAND FOR AN ORNAMENT OR PLATE

[76] Inventor: Christian B. Cadman, 309 East 24th Avenue, Vancouver, British Columbia, Canada, V5V 1Z8

[**] Term: 14 Years

[21] Appl. No.: 624,246

[22] Filed: Jun. 25, 1984

[30] Foreign Application Priority Data

Feb. 28, 1984 [CA] Canada 28-02-84-12

[52] U.S. Cl. D6/314; D6/310

[58] Field of Search D11/131, 164; D6/300-310, 312-314; 40/152, 152.1; D8/371; 248/441.1, 445, 451, 453, 459

[56] References Cited

U.S. PATENT DOCUMENTS

- D. 112,588 12/1938 Lowen D8/371
- D. 227,326 6/1973 Venuta D6/310
- D. 241,393 9/1976 Regis D6/300
- 1,812,318 6/1931 Bower 248/453 X
- 3,809,352 5/1974 Mathias D6/314 X

FOREIGN PATENT DOCUMENTS

- 1410019 10/1975 United Kingdom 248/441.1

OTHER PUBLICATIONS

Prior Art Ornament or Plate Stand submitted by applicant on 9/18/84.

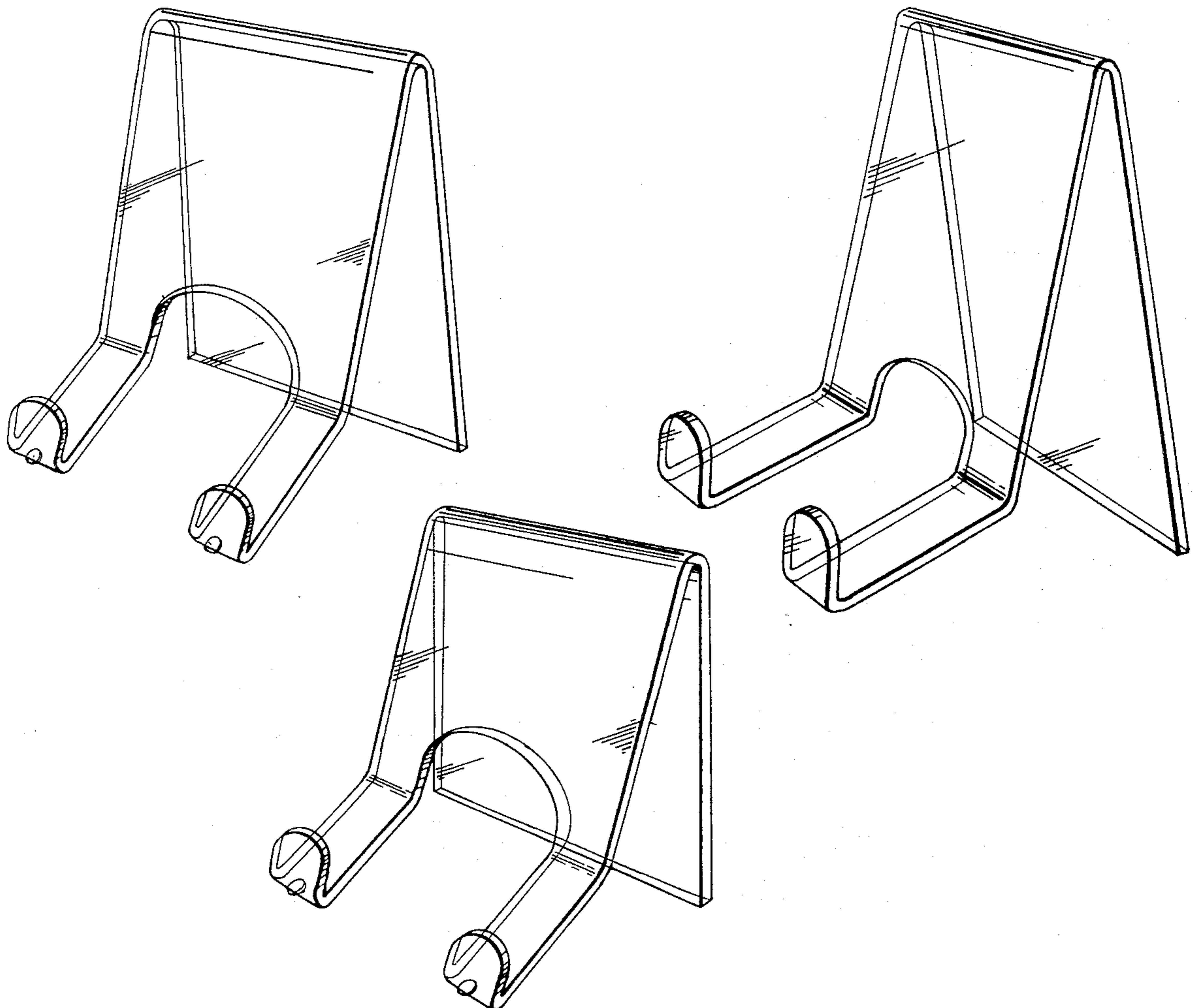
Primary Examiner—Louis S. Zarfes
Attorney, Agent, or Firm—Klarquist, Sparkman, Campbell, Leigh & Whinston

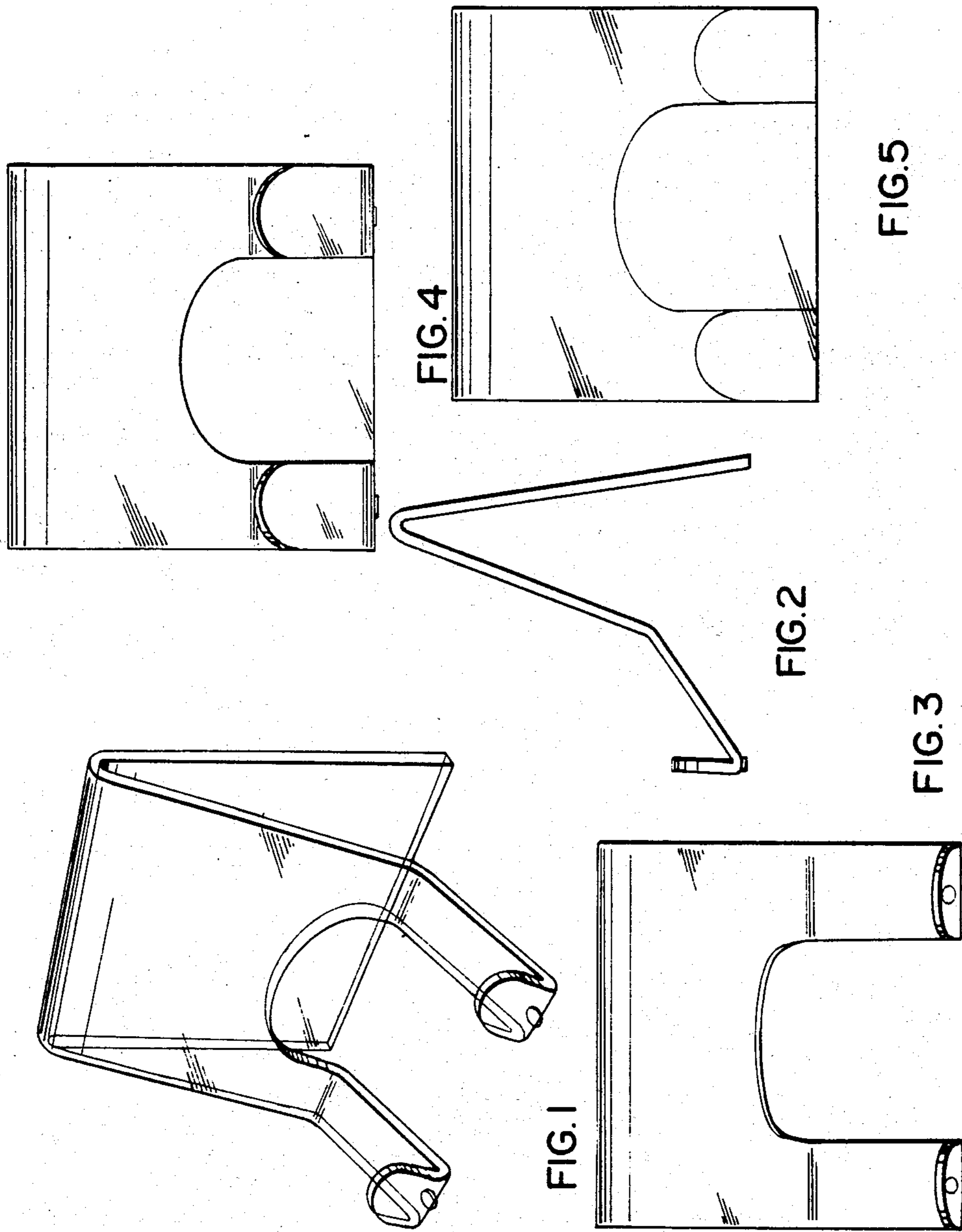
[57] CLAIM

The ornamental design for stand for an ornament or plate, substantially as shown and described.

DESCRIPTION

FIG. 1 is a perspective view of a stand for an ornament or plate showing my new design;
 FIG. 2 is a right side elevational view thereof;
 FIG. 3 is a top plan view thereof;
 FIG. 4 is a front elevational view thereof; and
 FIG. 5 is a rear elevational view thereof;
 FIG. 6 is a perspective view of a stand for an ornament or plate showing a second embodiment of my new design;
 FIG. 7 is a front elevational view thereof; and
 FIG. 8 is a right side elevational view thereof;
 FIG. 9 is a perspective view of a stand for an ornament or plate showing a third embodiment of my new design;
 FIG. 10 is a front elevational view thereof; and
 FIG. 11 is a right side elevational view thereof.





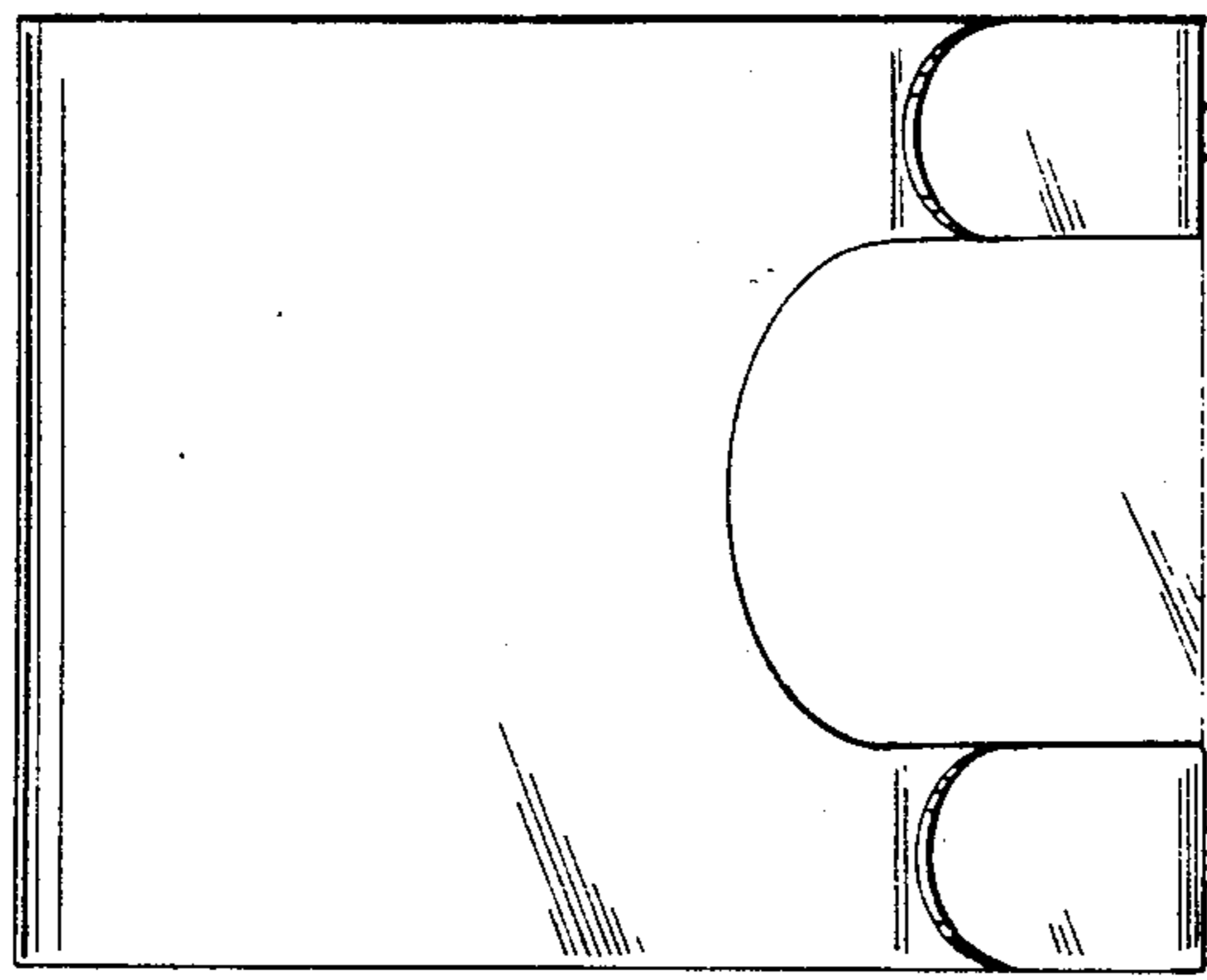


FIG. 7

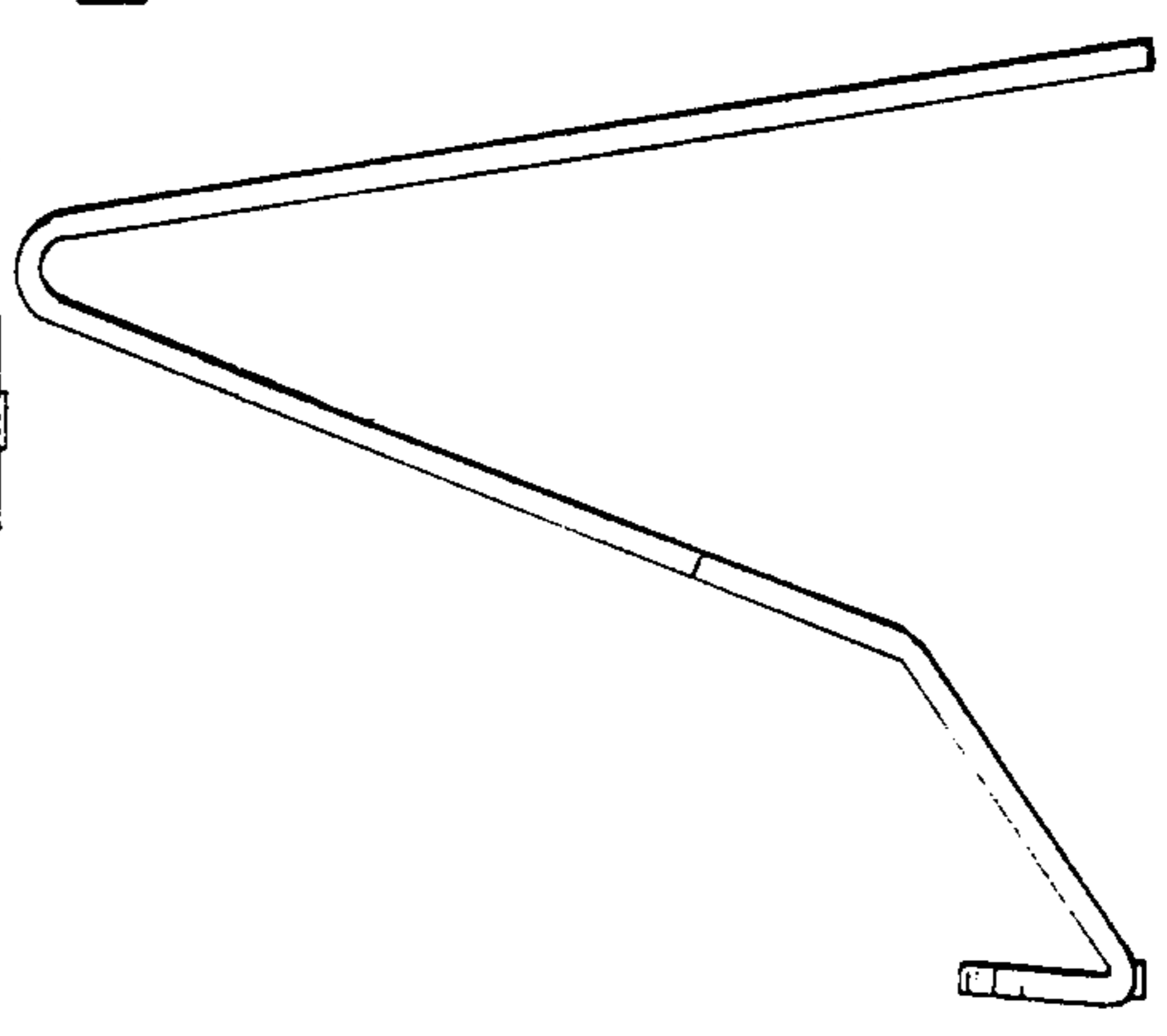


FIG. 8

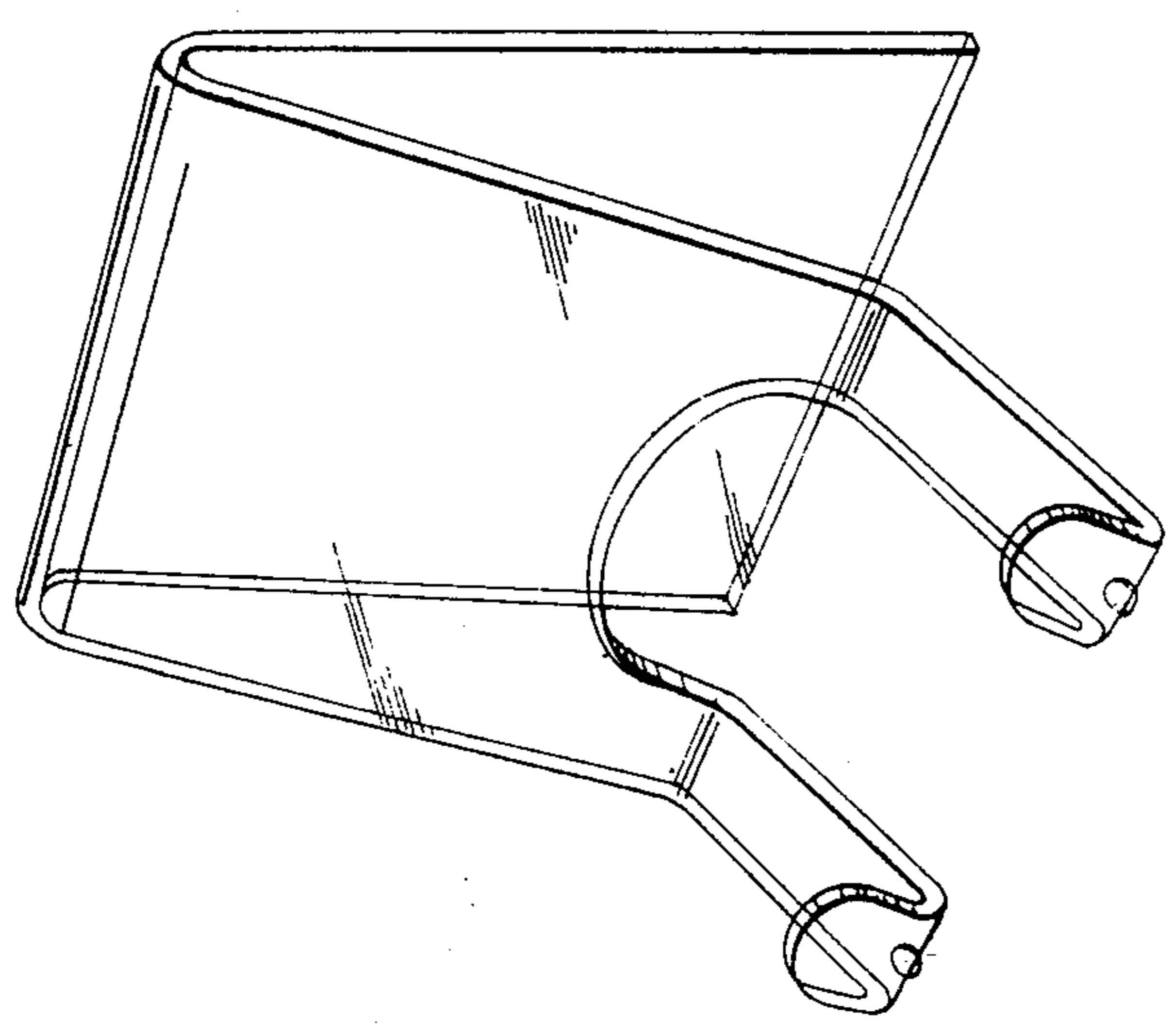


FIG. 6

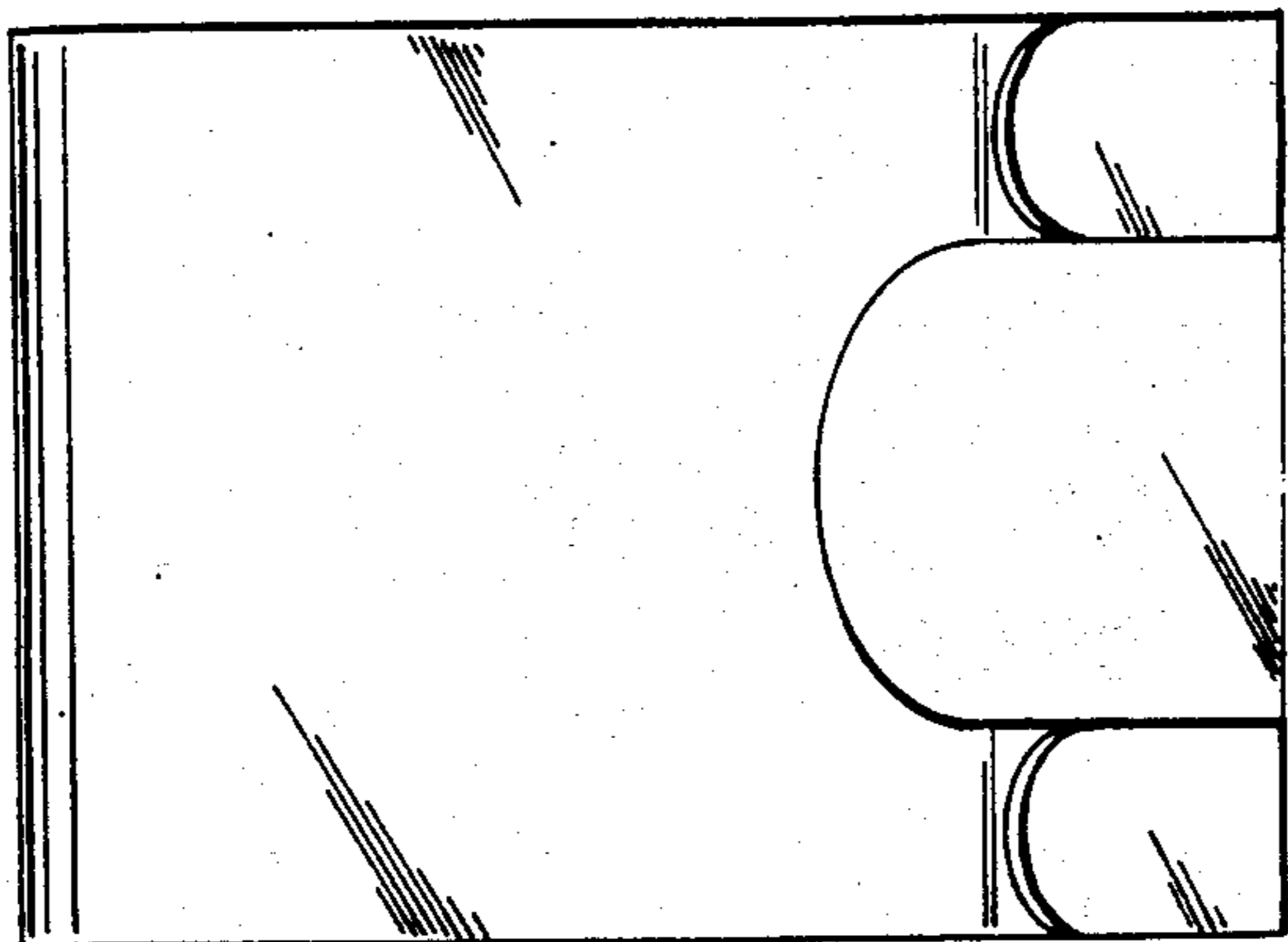


FIG.10

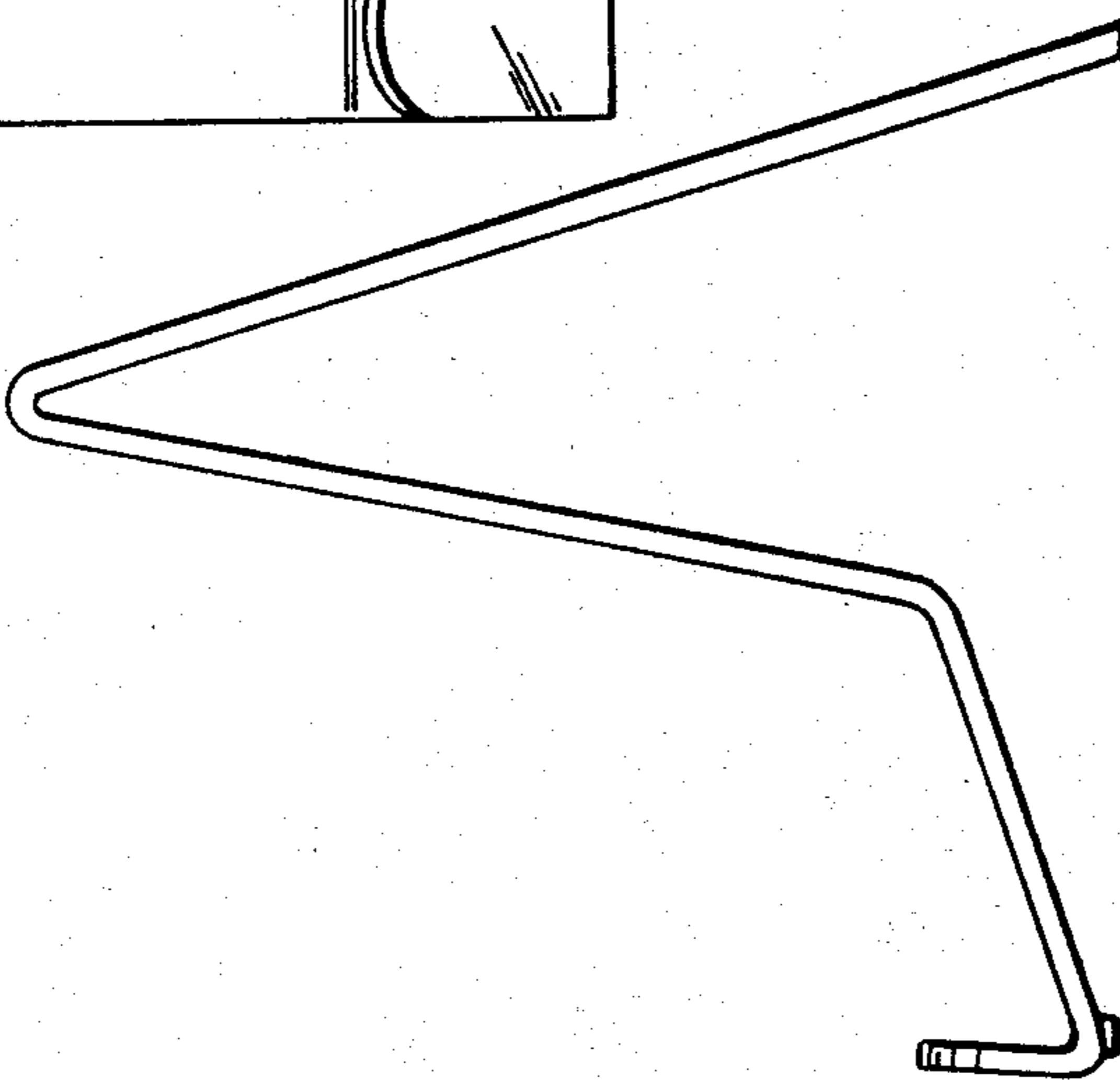


FIG.11

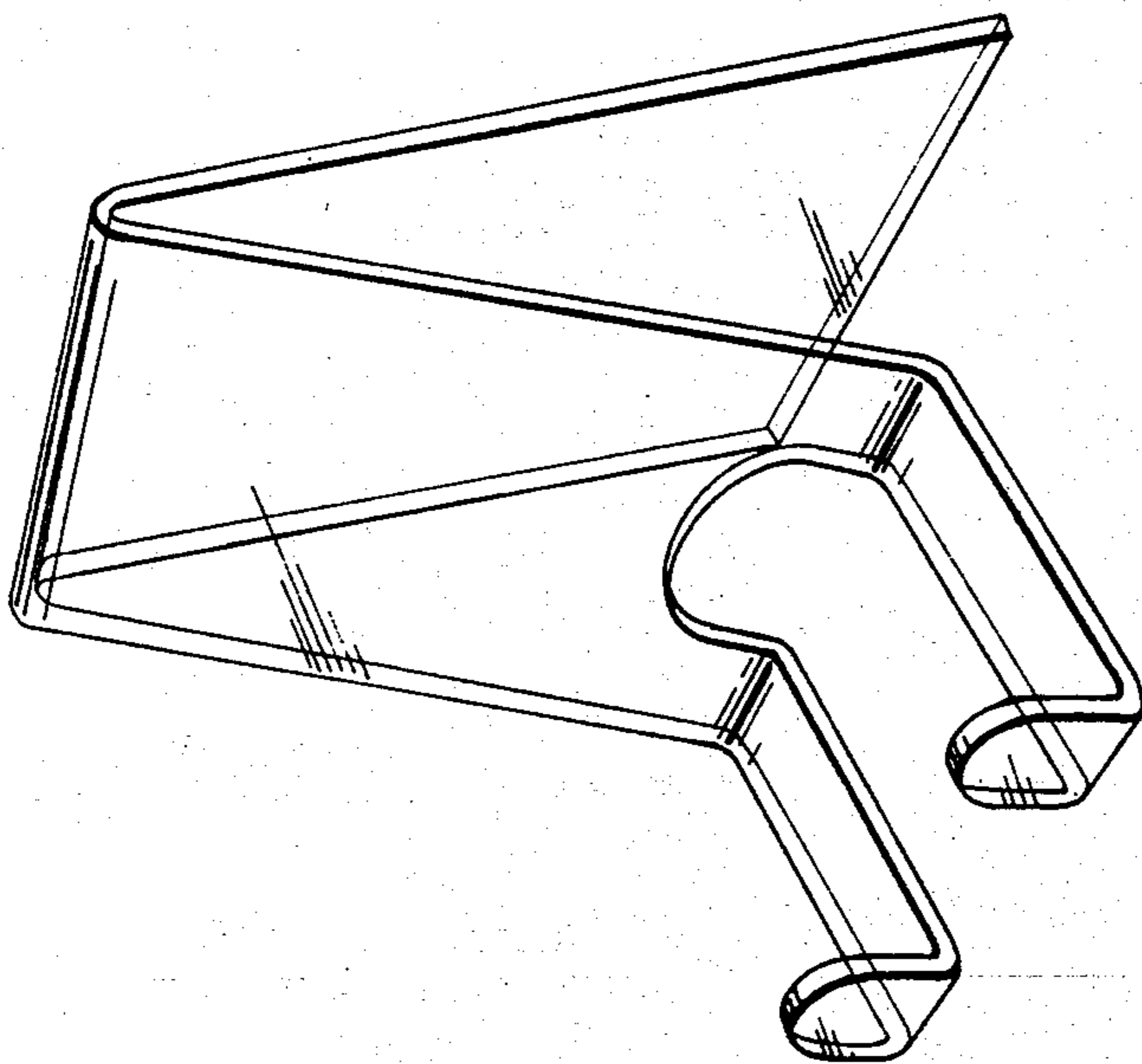


FIG. 9