

[54] **SURGICAL LIGHT HANDLE**

[75] **Inventors: John R. Scoville, Jr., Henrietta;
Danny J. LePage, Rochester, both of
N.Y.**

[73] **Assignee: Castle Company, Rochester, N.Y.**

[**] **Term: 14 Years**

[21] **Appl. No.: 584,502**

[22] **Filed: Feb. 28, 1984**

[52] **U.S. Cl. D26/140; D8/107;
D26/113**

[58] **Field of Search D8/107, 300; 16/110 R;
D26/60-66, 138, 140, 113; 362/804**

[56] **References Cited**

U.S. PATENT DOCUMENTS

D. 279,611	7/1985	Peeler et al.	D26/65
2,545,659	3/1951	Ginter	16/110 R
2,798,938	7/1957	Jewell	D26/64 X
4,280,167	7/1981	Ellett	362/404 X
4,316,237	2/1982	Yamada et al.	362/804 X

FOREIGN PATENT DOCUMENTS

2229815	1/1974	Fed. Rep. of Germany	81/3.4
7409286	1/1975	Netherlands	362/804

OTHER PUBLICATIONS

Modern Plastics, Encyclopedia, 9-1959-1960, p. 771, Handle.

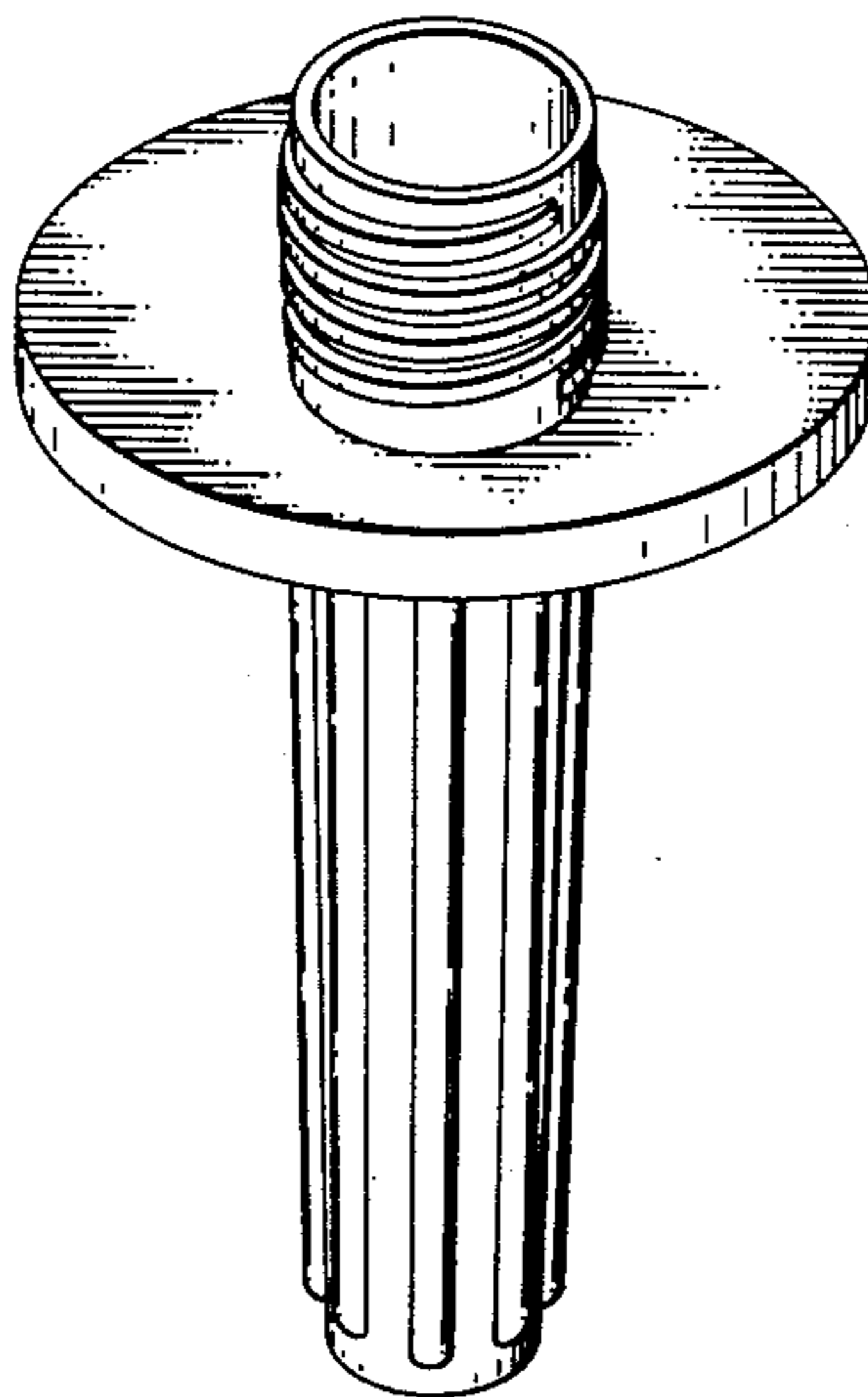
Primary Examiner—Susan J. Lucas
Attorney, Agent, or Firm—Owen D. Marjama

[57] **CLAIM**

The ornamental design for a surgical light handle, substantially as shown and described.

DESCRIPTION

FIG. 1 is a perspective view of a surgical light handle showing our new design;
FIG. 2 is a side elevational view thereof;
FIG. 3 is a bottom plan view thereof;
FIG. 4 is a top plan view thereof; and
FIG. 5 is an enlarged cross-sectional view thereof taken along line 5—5 of FIG. 3.



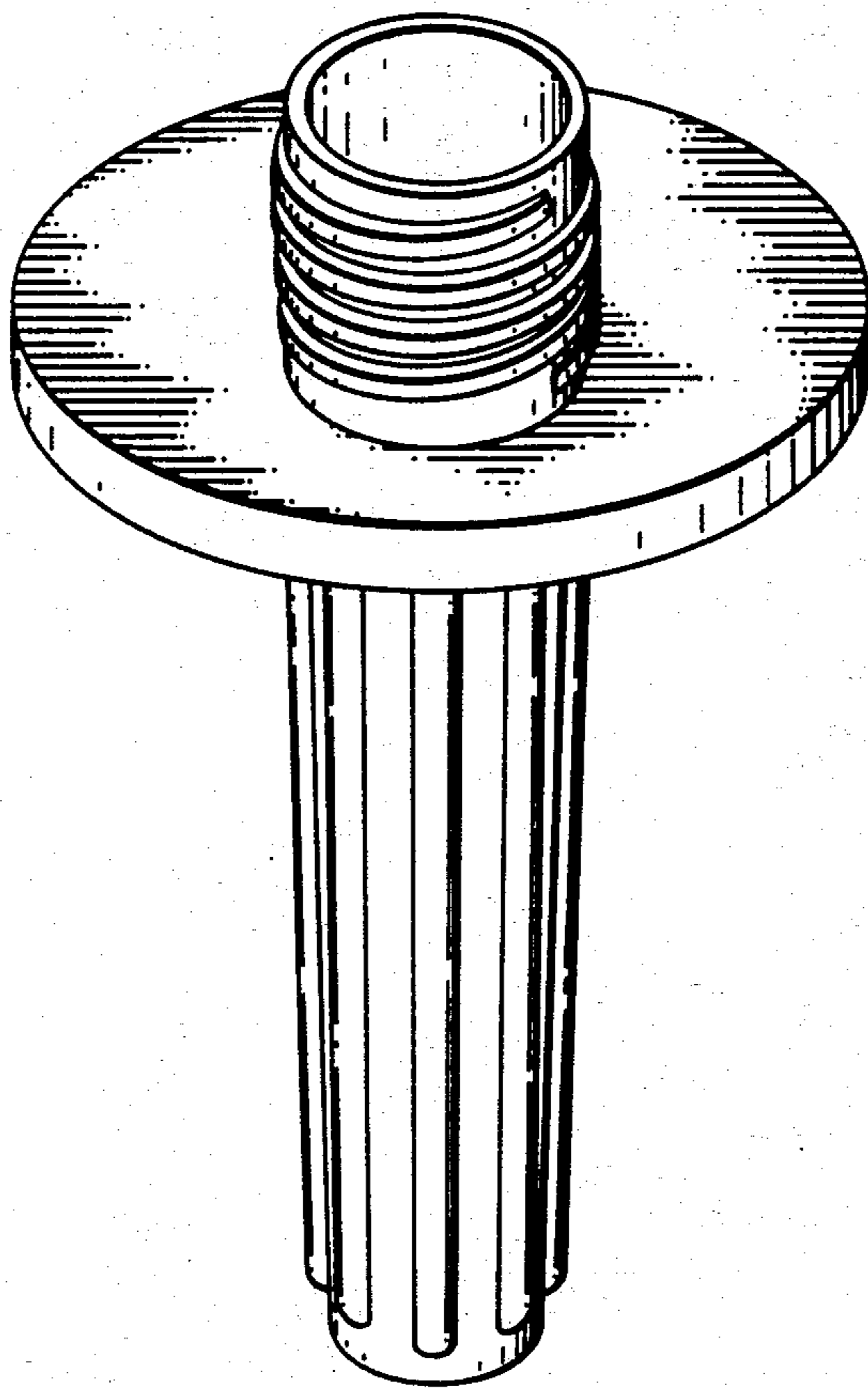


FIG. 1

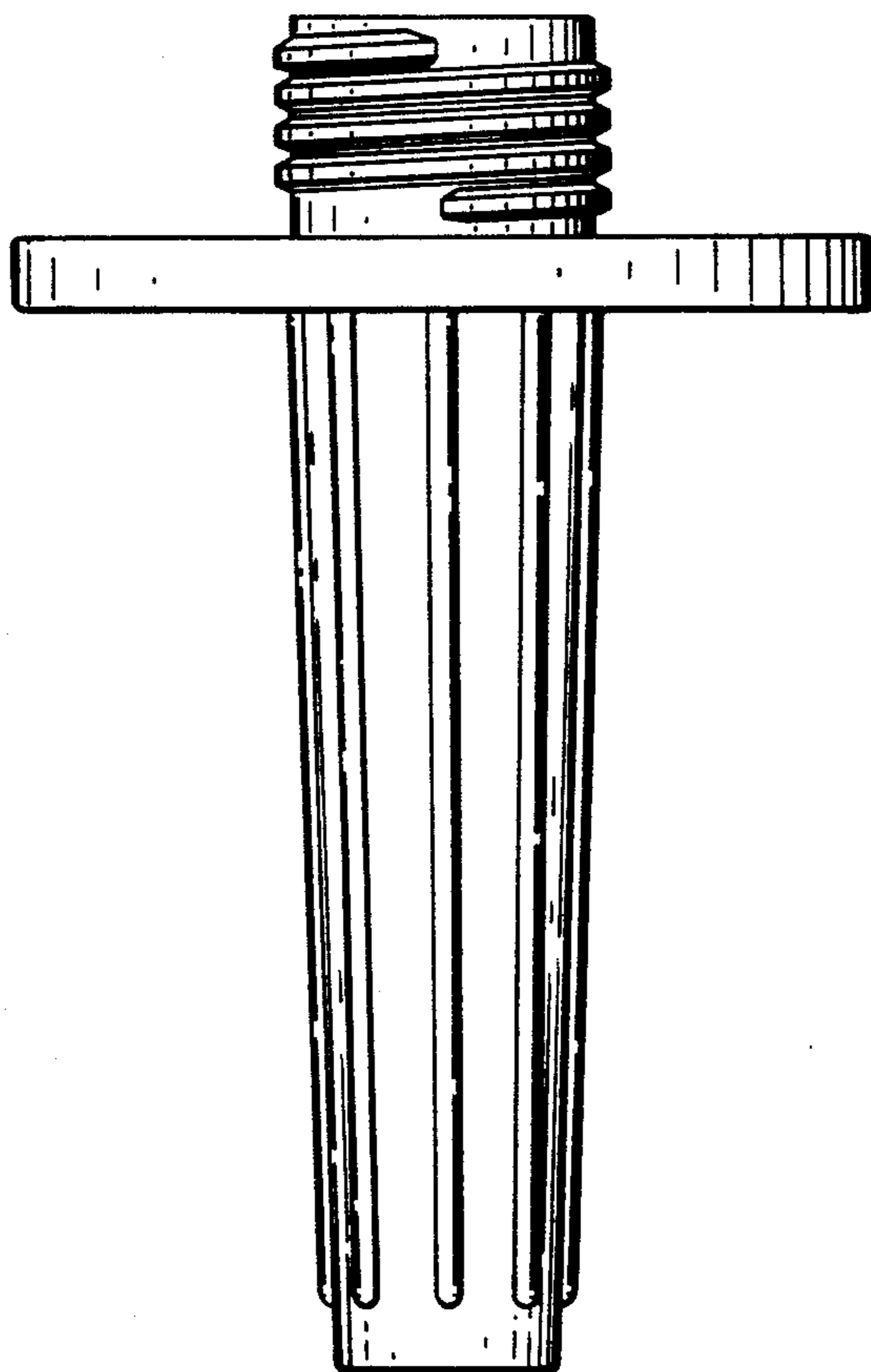


FIG. 2

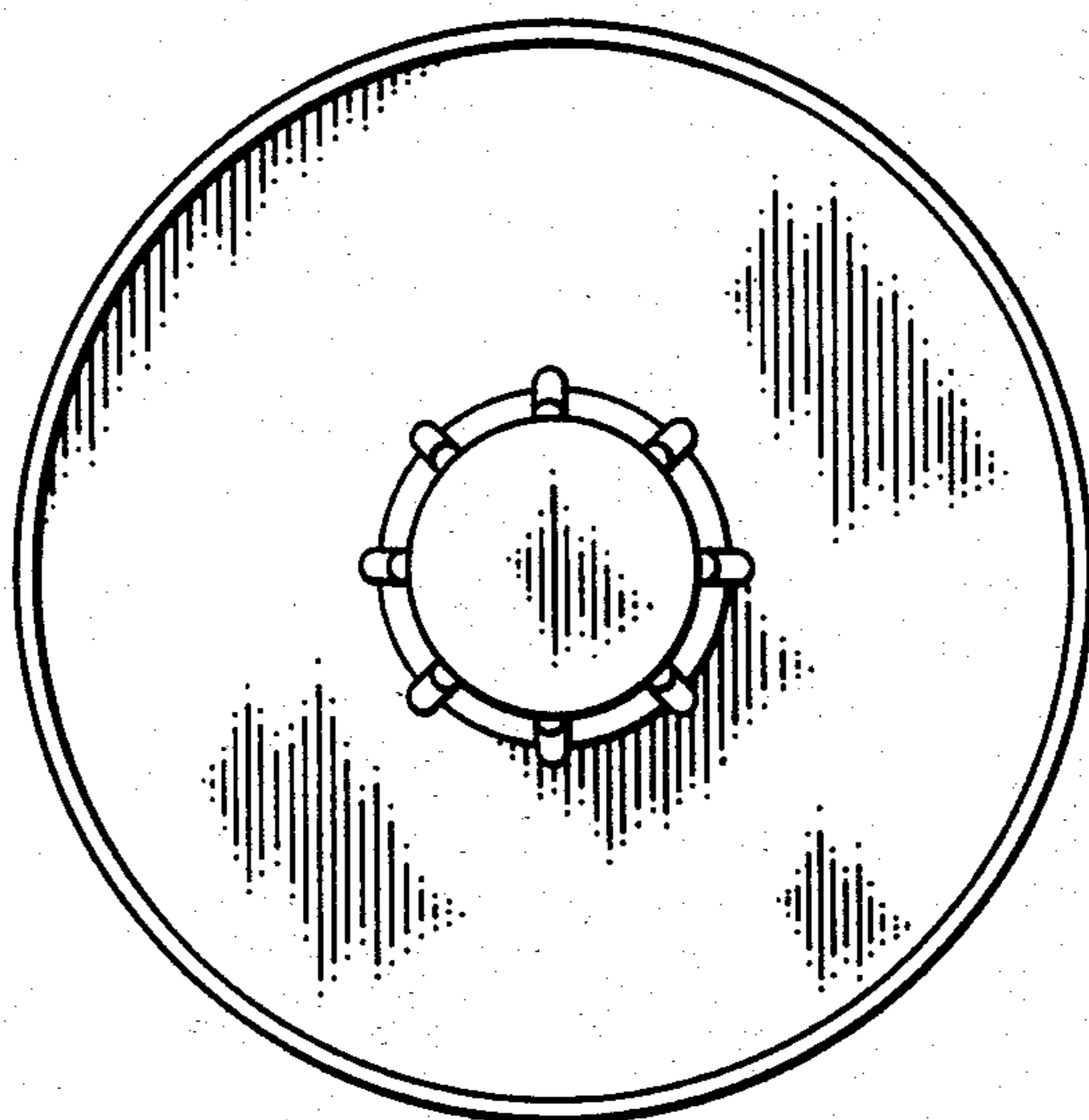


FIG. 3

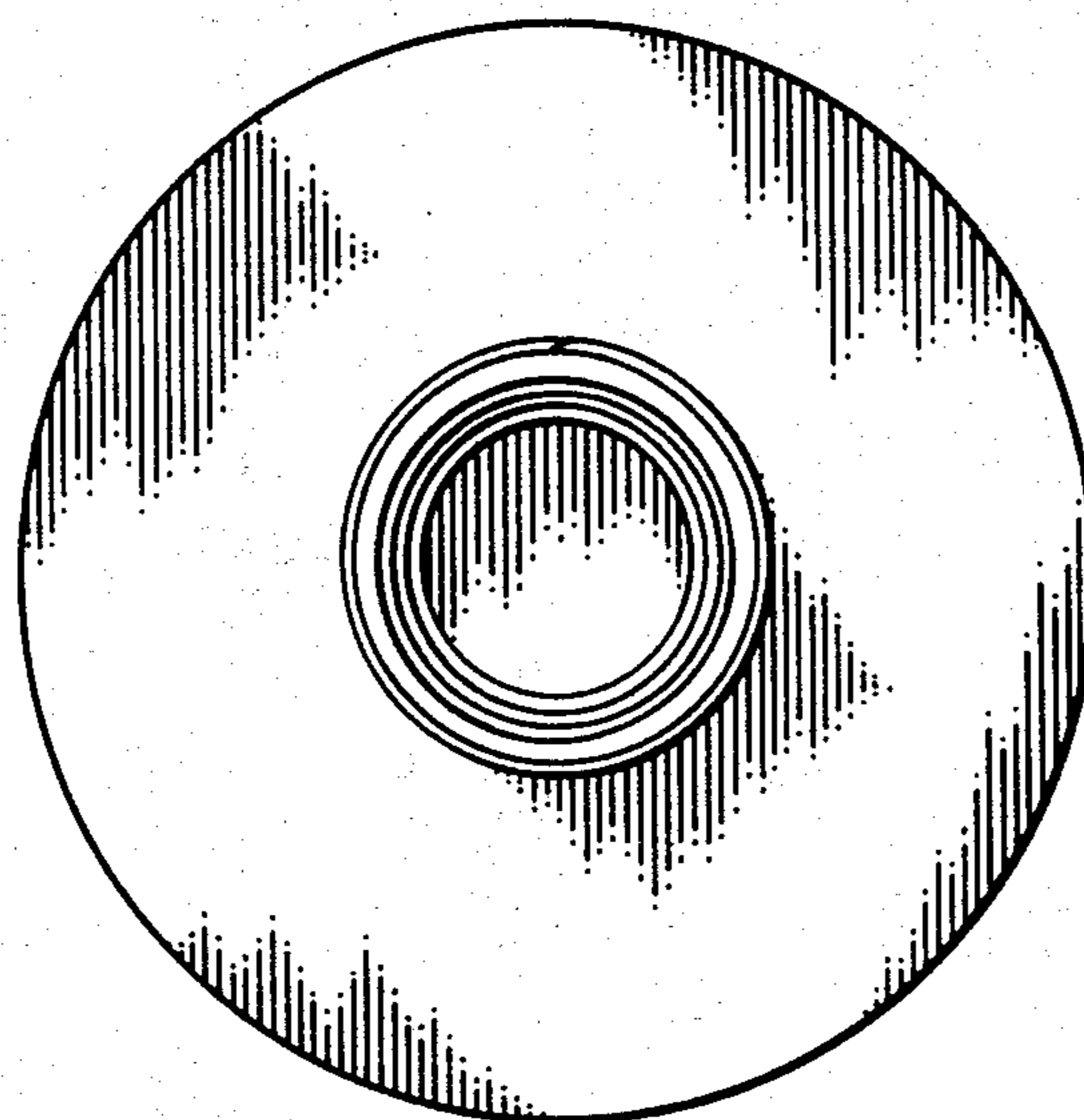


FIG. 4

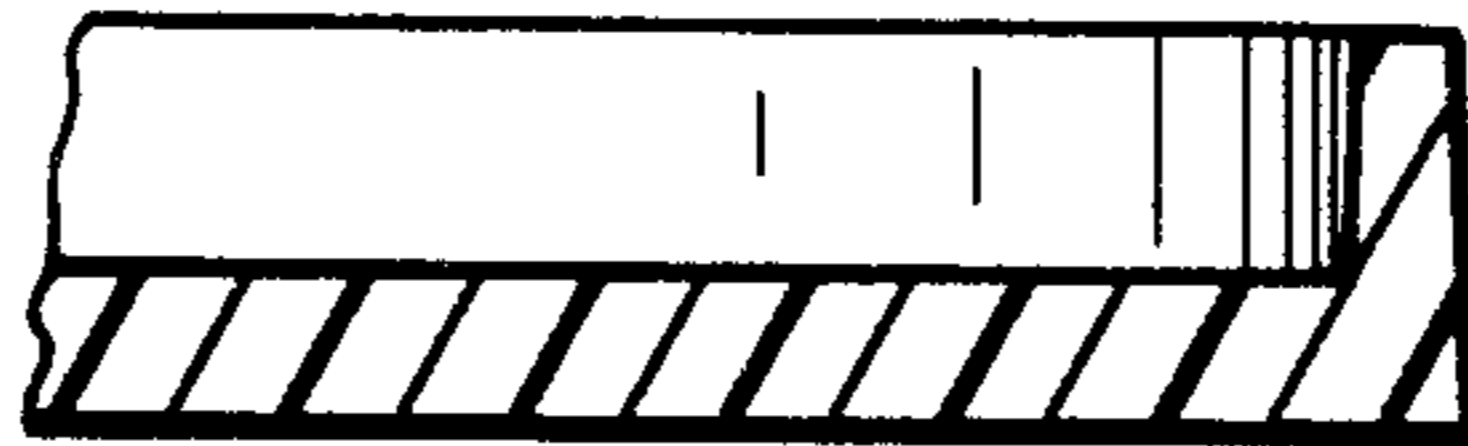


FIG. 5