

United States Patent [19]
Hardy

[11] **Patent Number: Des. 289,203**
[45] **Date of Patent: ** Apr. 7, 1987**

[54] **WINDOW FRAME COMPONENT**

[75] **Inventor: Terence Hardy, Belper, England**

[73] **Assignee: L.B. (Plastics) Limited, Derby, England**

[**] **Term: 14 Years**

[21] **Appl. No.: 608,009**

[22] **Filed: May 7, 1984**

[30] **Foreign Application Priority Data**

Nov. 19, 1983 [GB] United Kingdom 1016376

[52] **U.S. Cl. D25/74**

[58] **Field of Search D25/73-75;**
49/413, 419, 501; 52/287, 288, 202, 203, 475,
476, 716, 717

[56] **References Cited**

U.S. PATENT DOCUMENTS

D. 283,349 4/1986 Slocomb, Jr. D25/74
4,048,774 9/1977 Yamamoto D25/74 X
4,555,884 12/1985 Van Eerden D25/74 X

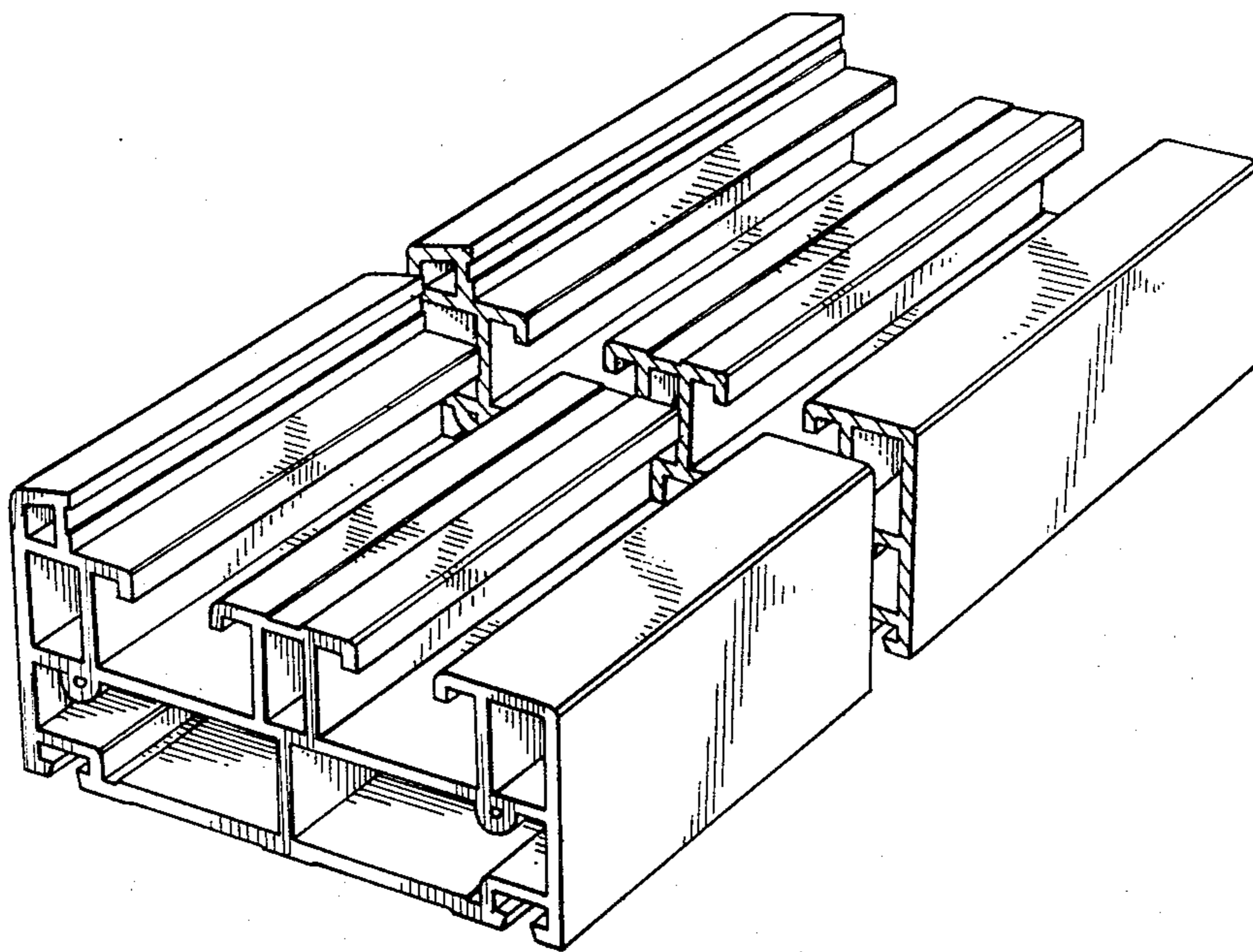
Primary Examiner—A. Hugo Word
Attorney, Agent, or Firm—W. Thad Adams, III

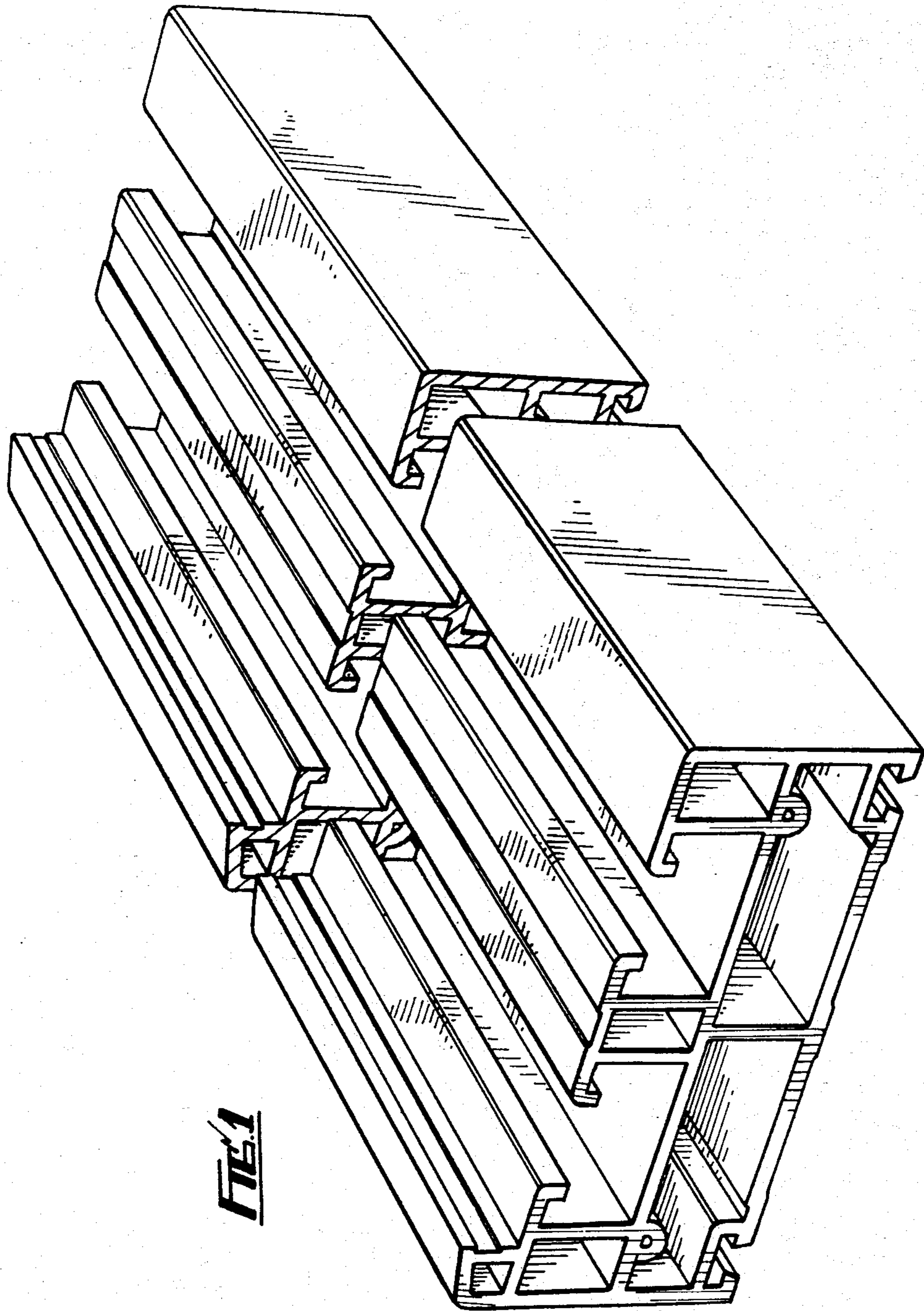
[57] **CLAIM**

The ornamental design of a window frame component, as shown and described.

DESCRIPTION

FIG. 1 is a perspective view of a component embodying my design wherein the centre portion is broken away to indicate indeterminate length;
FIG. 2 is an end view thereof.





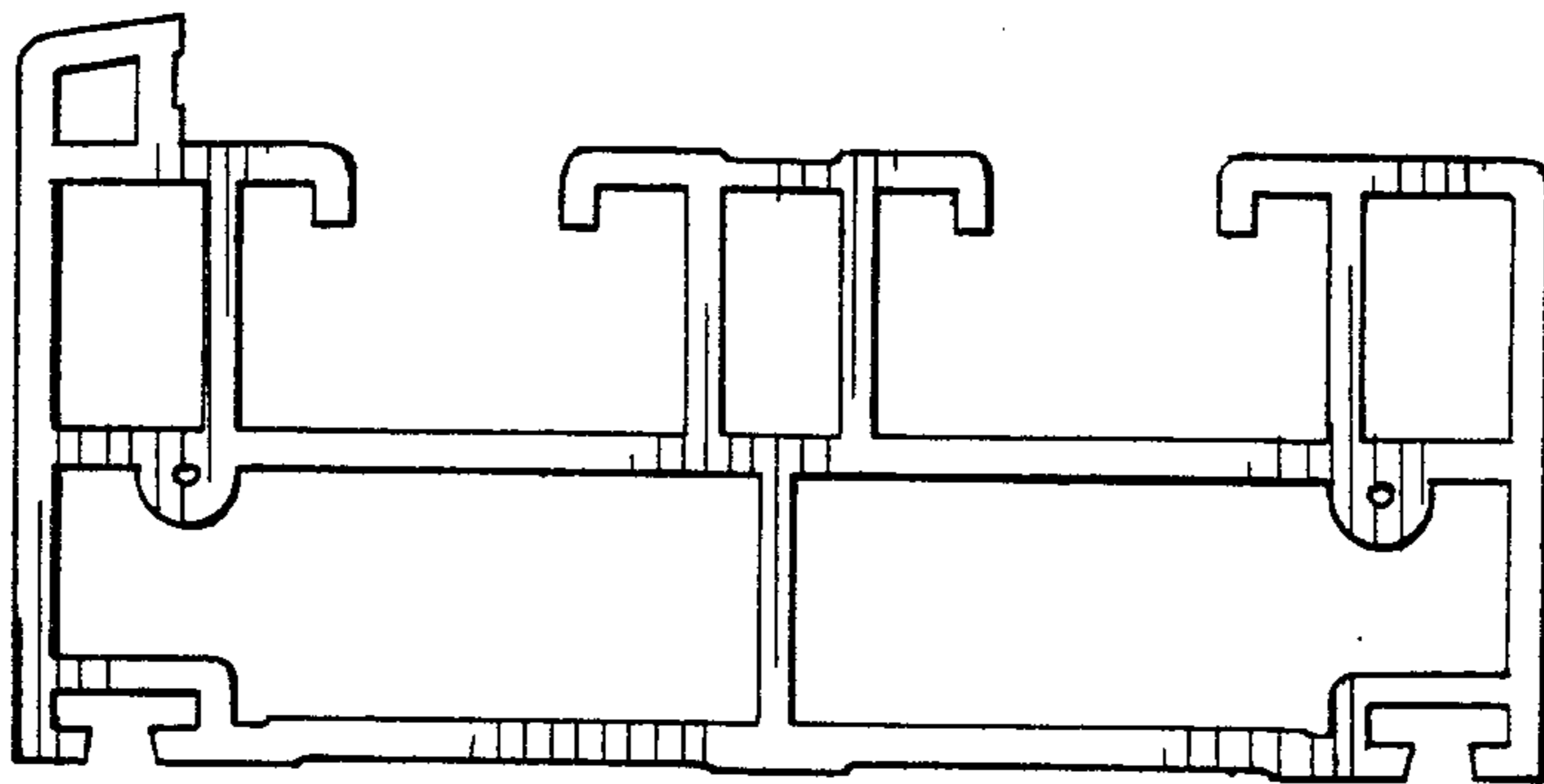


FIG. 2