

[54] **COVER STRIP FOR A WINDOW FRAME**

[75] **Inventor: Terence Hardy, Belper, England**

[73] **Assignee: L.B. (Plastics) Limited, England**

[\*\*] **Term: 14 Years**

[21] **Appl. No.: 607,899**

[22] **Filed: May 7, 1984**

[30] **Foreign Application Priority Data**

Nov. 19, 1983 [GB] United Kingdom ..... 1016381

[52] **U.S. Cl. .... D25/74**

[58] **Field of Search .... D25/73-75;**  
49/413, 419, 501; 52/287, 288, 202, 203, 475,  
476, 716, 717

[56] **References Cited**

**U.S. PATENT DOCUMENTS**

D. 221,529 8/1971 Kimmel ..... D25/74  
D. 221,553 8/1971 Figlin et al. .... D25/74

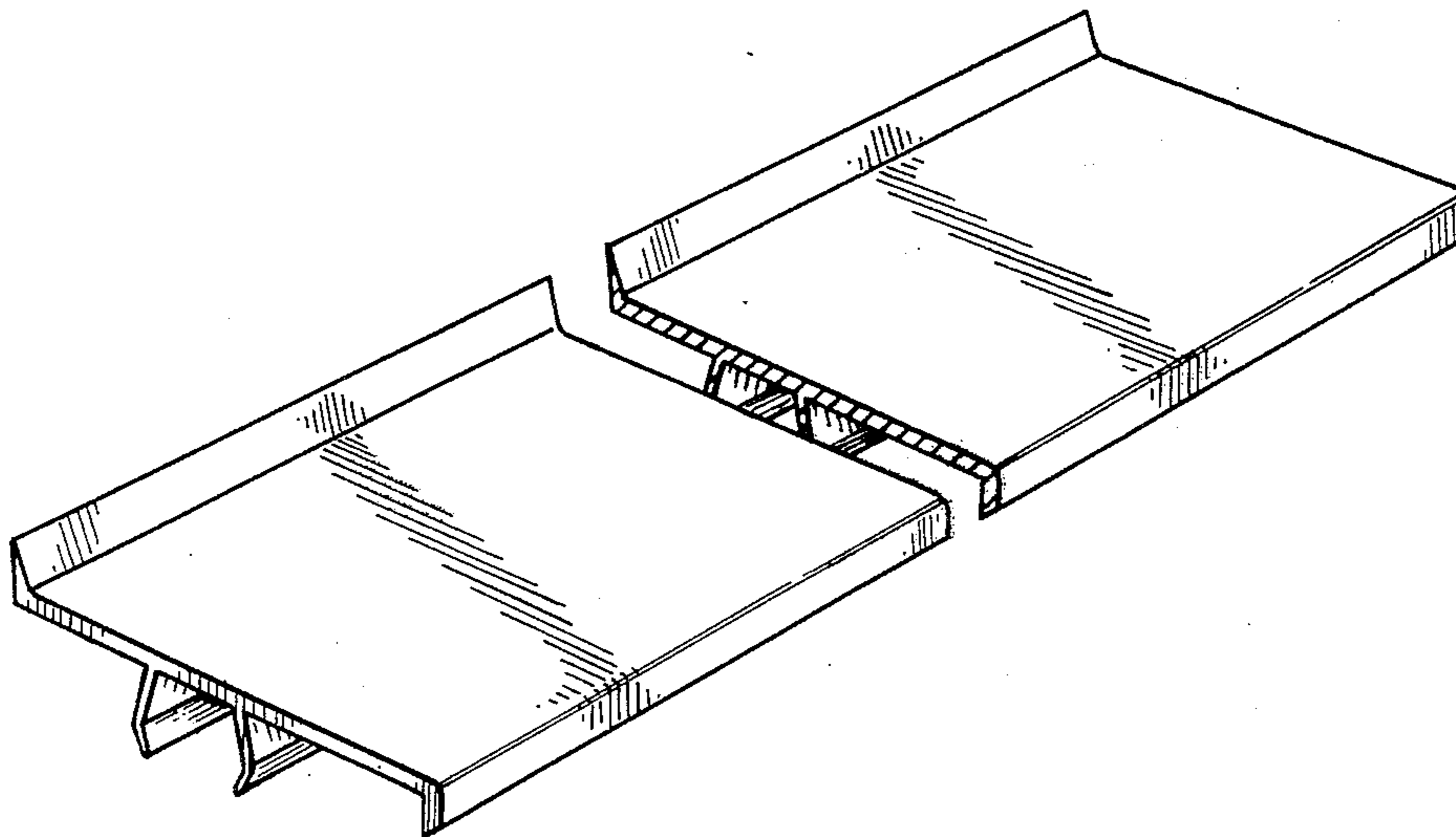
*Primary Examiner*—A. Hugo Word  
*Attorney, Agent, or Firm*—W. Thad Adams, III

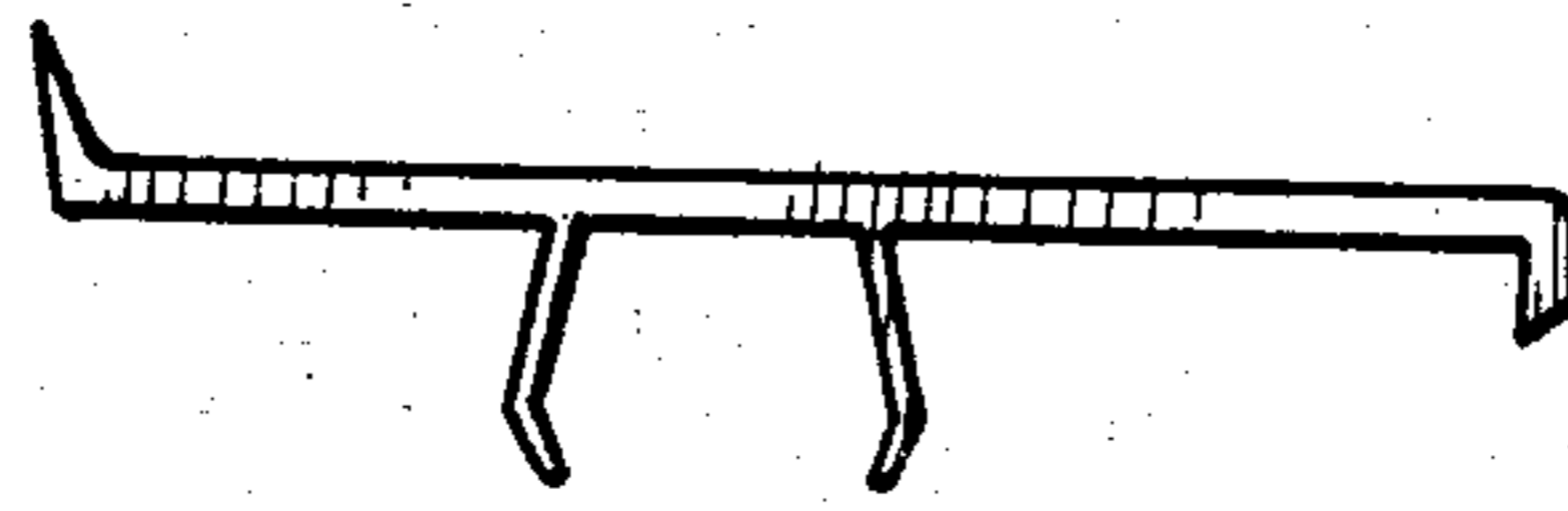
[57] **CLAIM**

The ornamental design of a cover strip for a window frame, as shown and described.

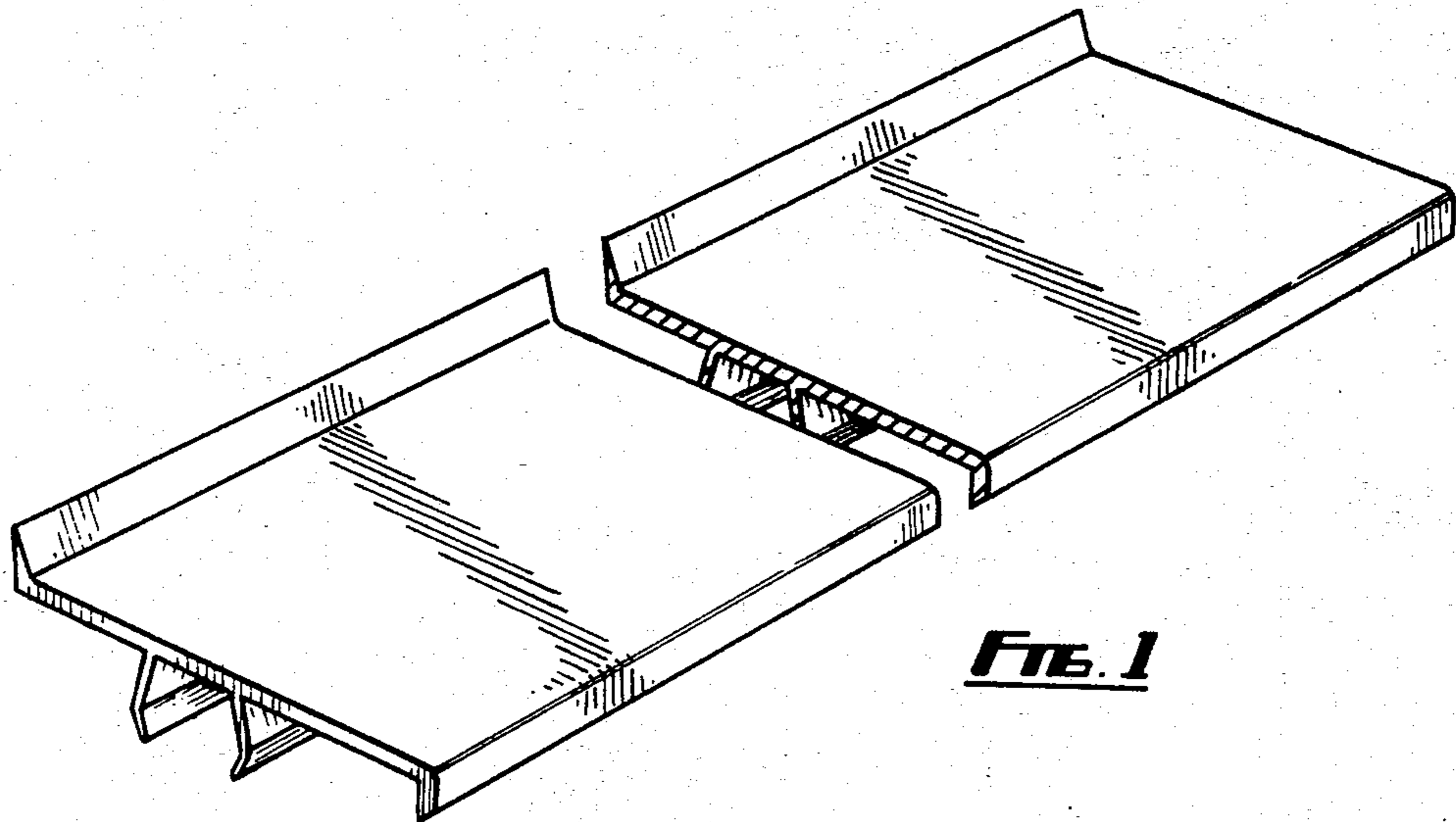
**DESCRIPTION**

FIG. 1 is a perspective view of a cover strip embodying my design wherein the centre portion is broken away to indicate indeterminate length;  
FIG. 2 is an end view thereof.





**FIG. 2**



**FIG. 1**