

[54] **DIAGNOSTIC INSTRUMENT CAROUSEL OR THE LIKE**

[56] **References Cited**

[75] **Inventors: Palmer L. Tag, Barrington; Robert Case, Chicago, both of Ill.**

U.S. PATENT DOCUMENTS

D. 248,407	7/1978	Bassett et al.	D24/22
D. 277,891	3/1985	Uffenheimer	D24/31
4,035,156	7/1977	Shumate	250/576 X
4,126,418	11/1978	Krasnow	356/246 X
4,287,155	9/1981	Tersteeg et al.	422/104 X
4,314,970	2/1982	Stein et al.	356/246 X
4,360,360	11/1982	Chiknas	422/72 X
4,519,981	5/1985	Guigan	356/246 X

[73] **Assignee: Abbott Laboratories, North Chicago, Ill.**

Primary Examiner—Catherine E. Kemper
Attorney, Agent, or Firm—Donald L. Corneglio

[**] **Term: 14 Years**

[57] **CLAIM**

[21] **Appl. No.: 619,766**

The ornamental design for a diagnostic instrument carousel or the like, as shown.

[22] **Filed: Jun. 12, 1984**

DESCRIPTION

[52] **U.S. Cl. D24/31**

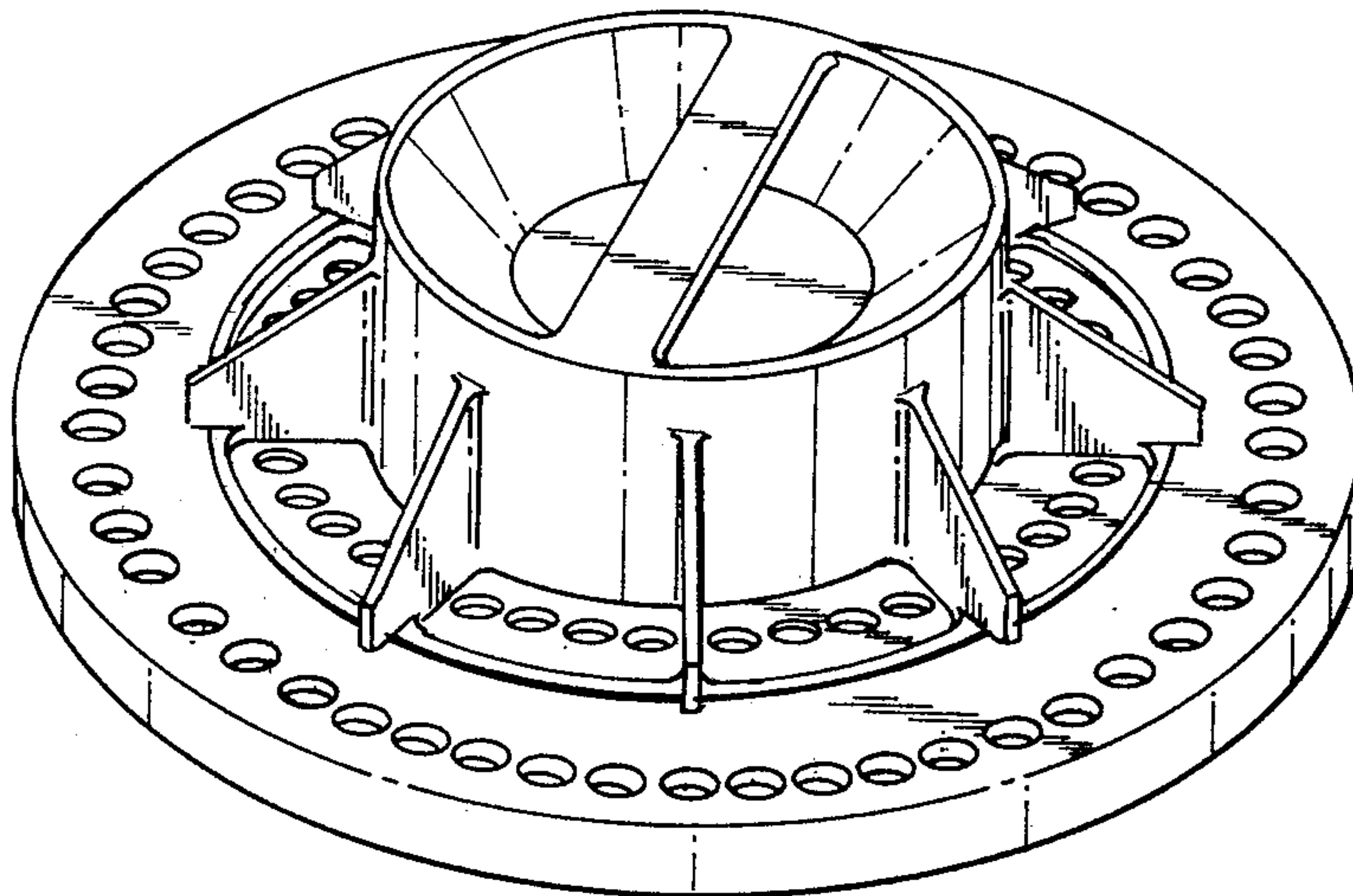
FIG. 1 is a top front perspective view of a diagnostic instrument carousel or the like, showing my new design;

[58] **Field of Search** D24/8, 22, 29, 31, 32, D24/99, 56; 422/64, 67, 68, 72, 73, 102, 104; 356/440, 246; 250/576; 436/45, 47, 809; 211/71, 72, 73, 74

FIG. 2 is a top plan view thereof;

FIG. 3 is a side elevational view thereof; and

FIG. 4 is a bottom plan view thereof.



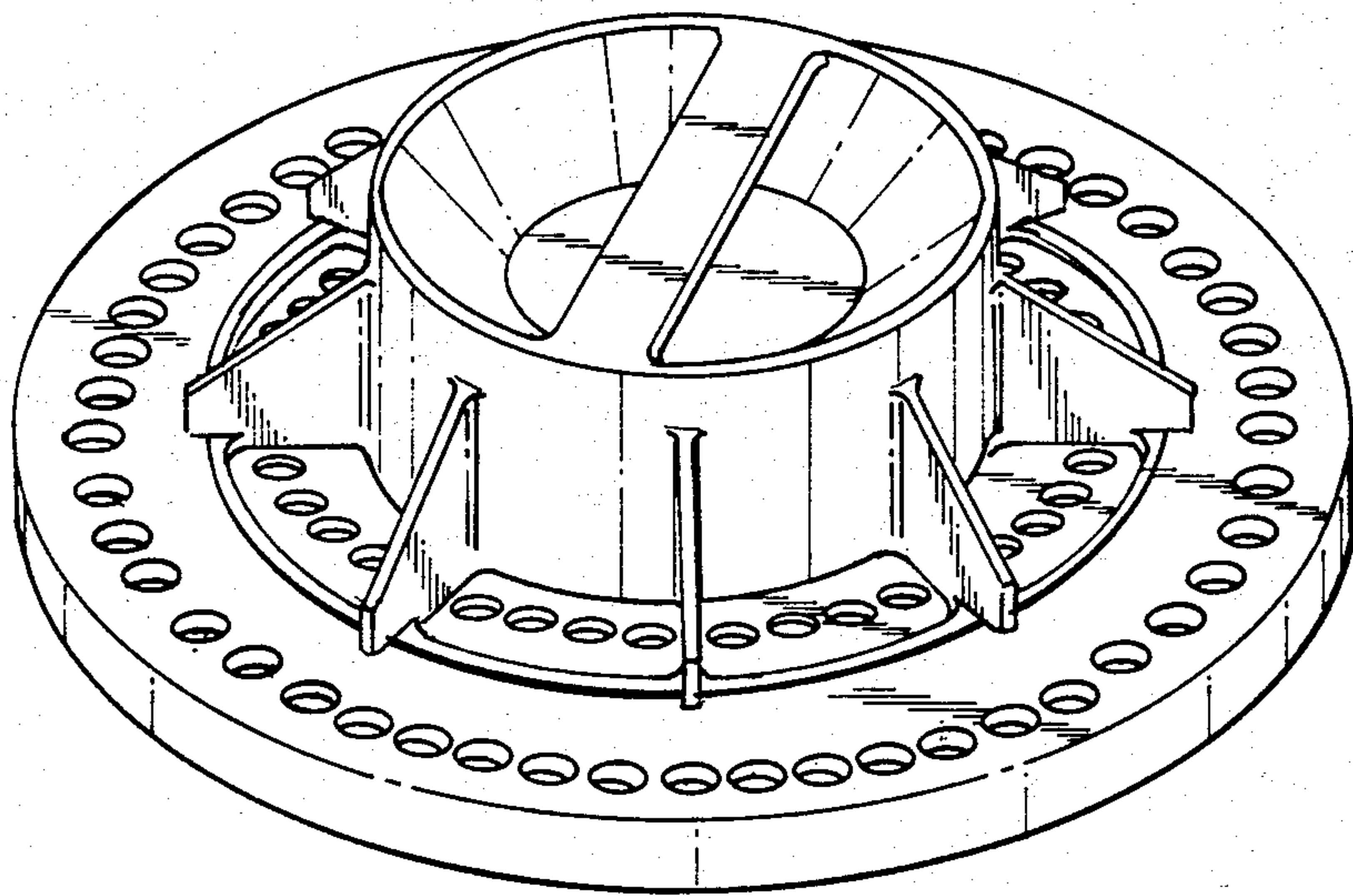


FIG. 1

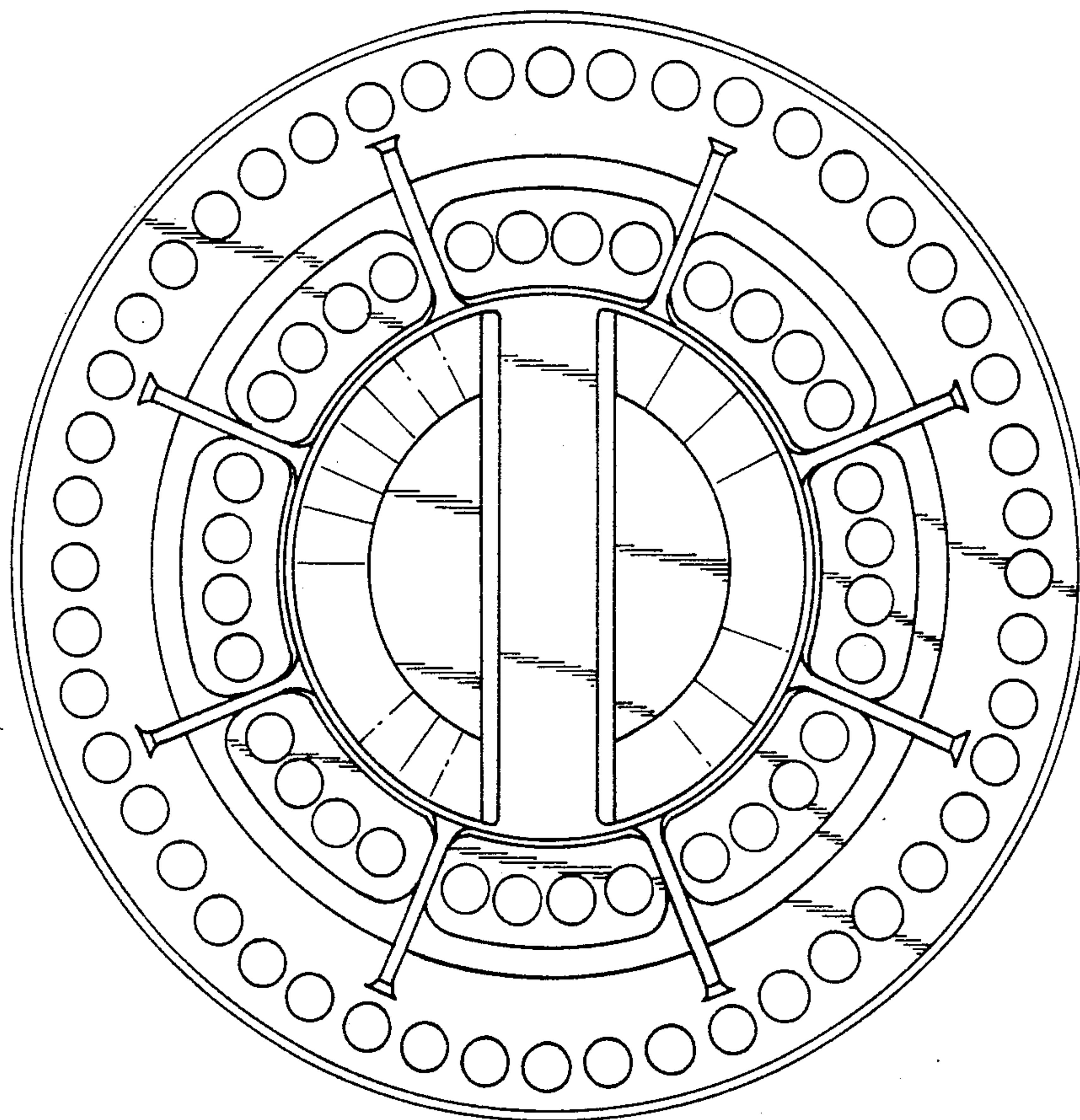


FIG. 2

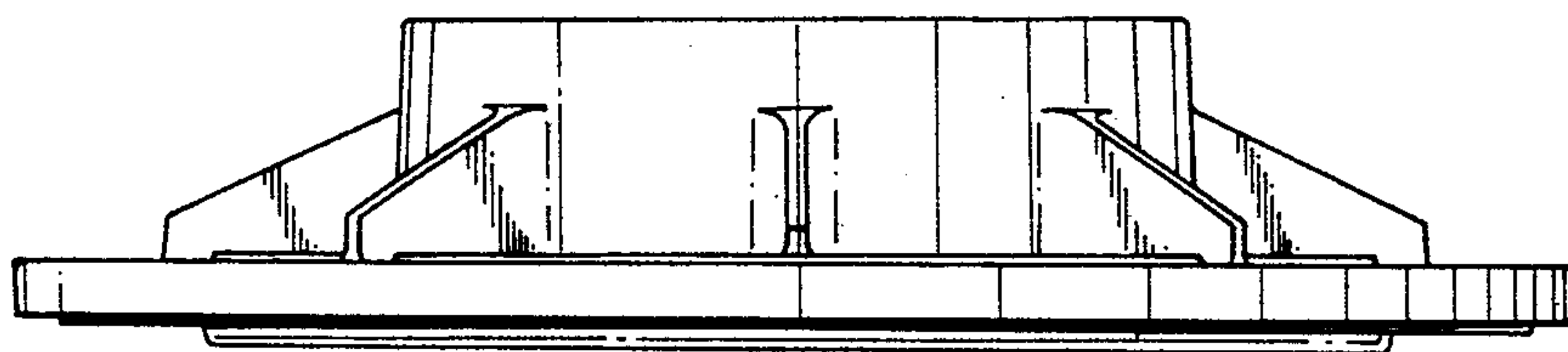


FIG. 3

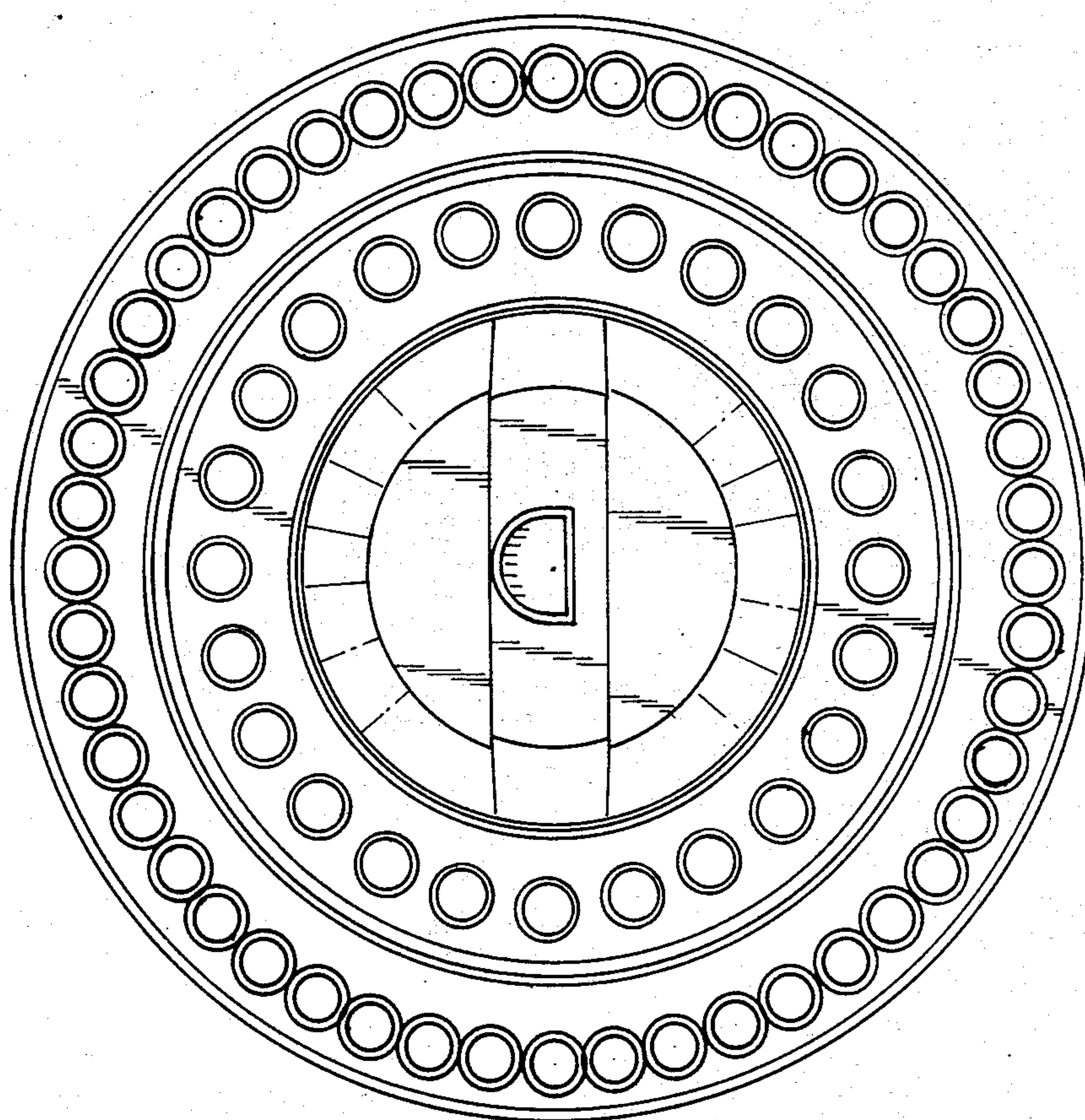


FIG. 4