

# United States Patent [19]

Ware et al.

[11] Patent Number: **Des. 289,197**

[45] Date of Patent: **\*\* Apr. 7, 1987**

[54] OTOSCOPE

[76] Inventors: **Clive P. Ware**, 10616 52nd Ave., N.E.; **G. Paul Ware**, 6805 40th St. N.E., both of Marysville, Wash. 98270

[\*\*] Term: **14 Years**

[21] Appl. No.: **699,324**

[22] Filed: **Feb. 7, 1985**

[52] U.S. Cl. .... **D24/17**

[58] Field of Search ..... **D24/17, 18, 8; 128/9, 128/3-8**

[56] **References Cited**

**U.S. PATENT DOCUMENTS**

D. 207,372	4/1967	Pulos .....	D24/17
3,373,737	3/1968	Moore et al. ....	D24/17 X
3,978,850	9/1976	Moore et al. ....	128/9
4,147,163	4/1979	Newman et al. ....	128/9

4,366,811	1/1983	Riester .....	128/9
4,567,881	2/1986	Heller .....	128/9

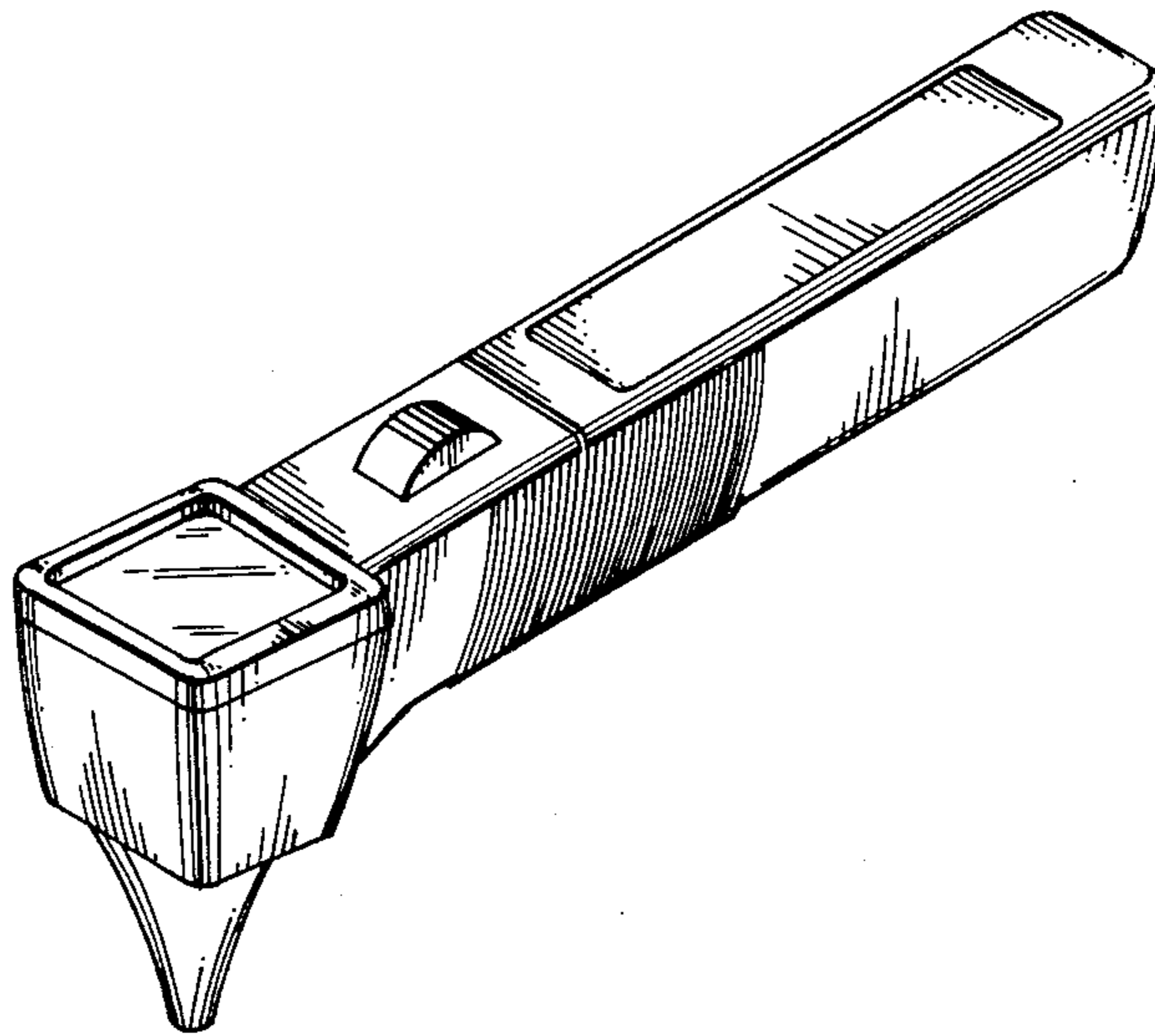
*Primary Examiner*—A. Hugo Word  
*Assistant Examiner*—Stella M. Reid  
*Attorney, Agent, or Firm*—Christensen, O'Connor, Johnson & Kindness

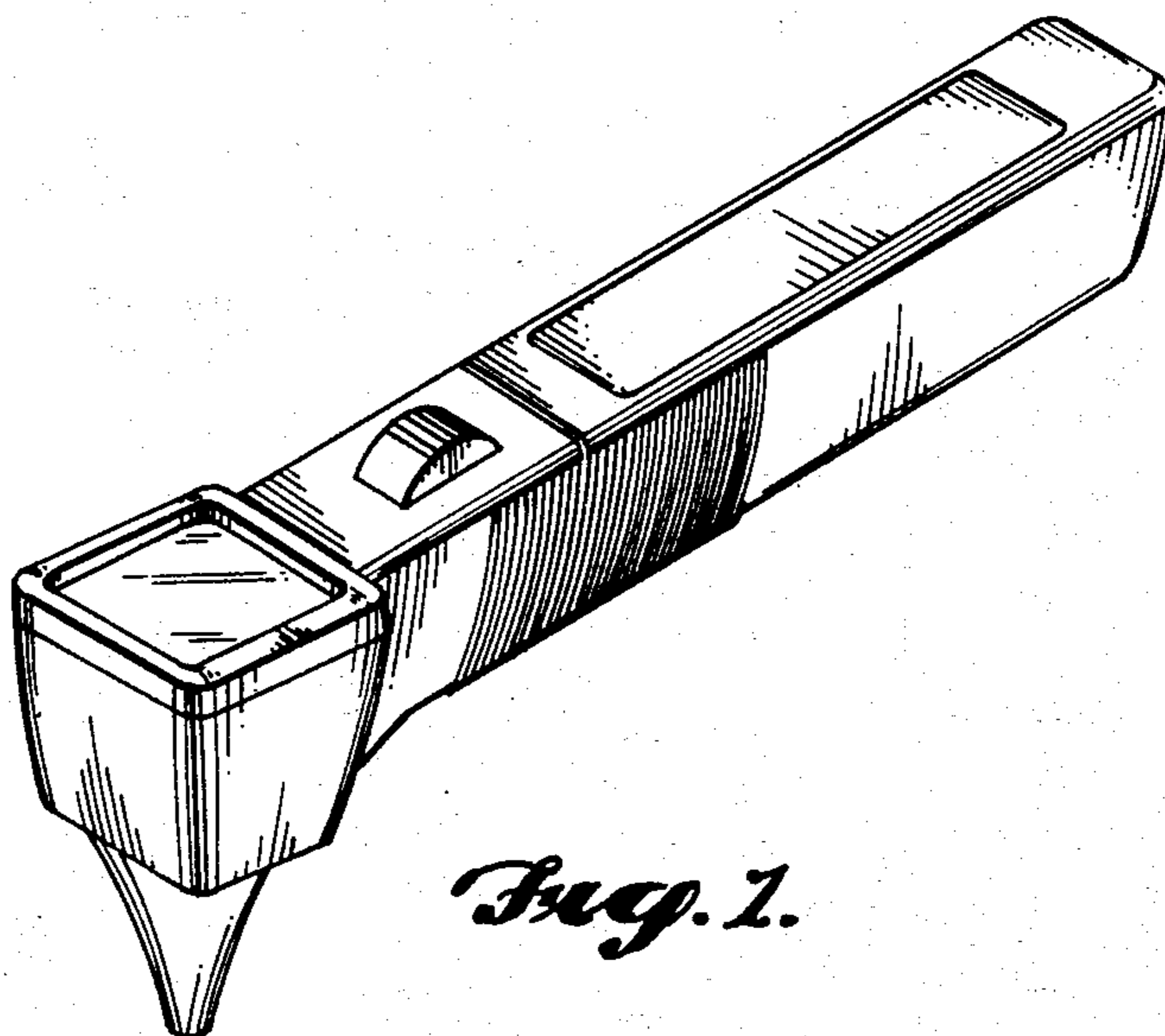
[57] **CLAIM**

The ornamental design for an otoscope, as shown and described.

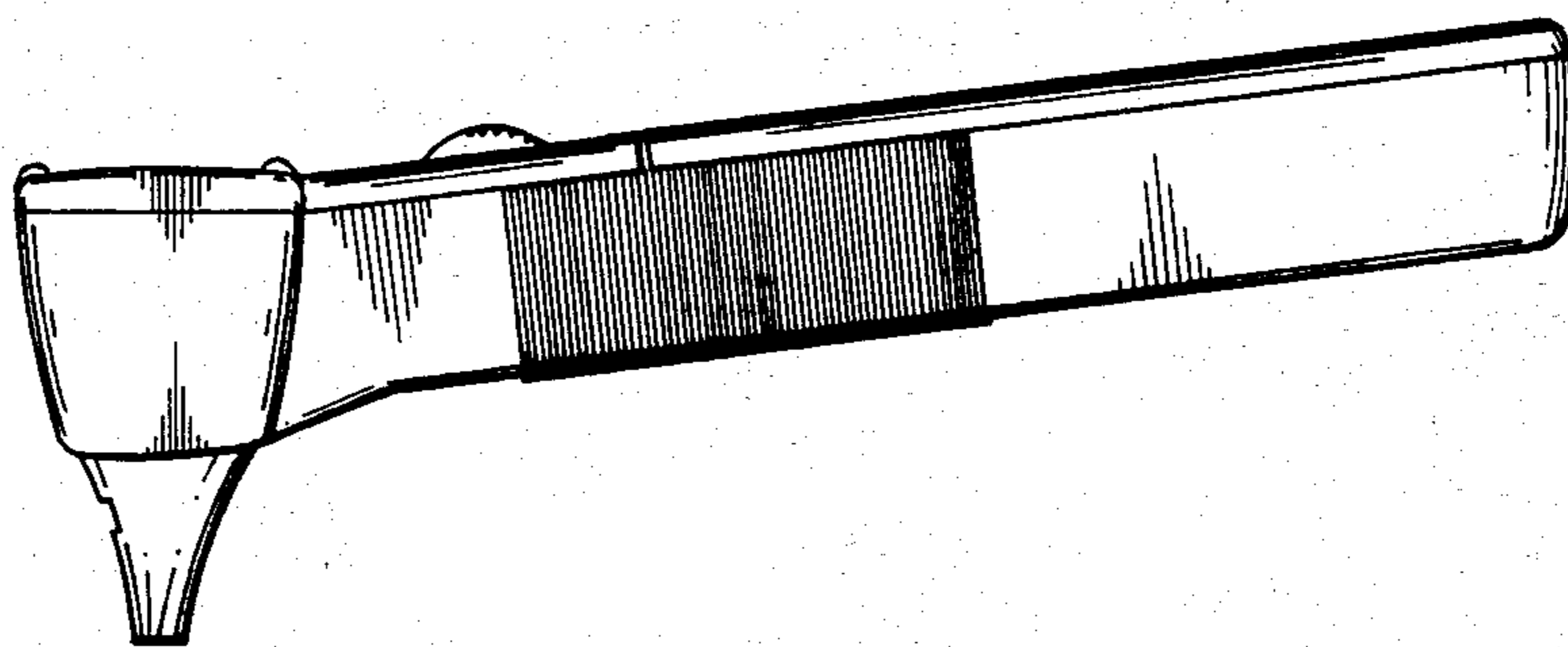
**DESCRIPTION**

FIG. 1 is a perspective view of an otoscope showing our new design;  
FIG. 2 is a left-side elevational view of our new design, the right-side view being a mirror image thereof;  
FIG. 3 is a top plan view thereof;  
FIG. 4 is a bottom plan view thereof;  
FIG. 5 is a rear end elevational view thereof; and,  
FIG. 6 is a front end elevational view thereof.

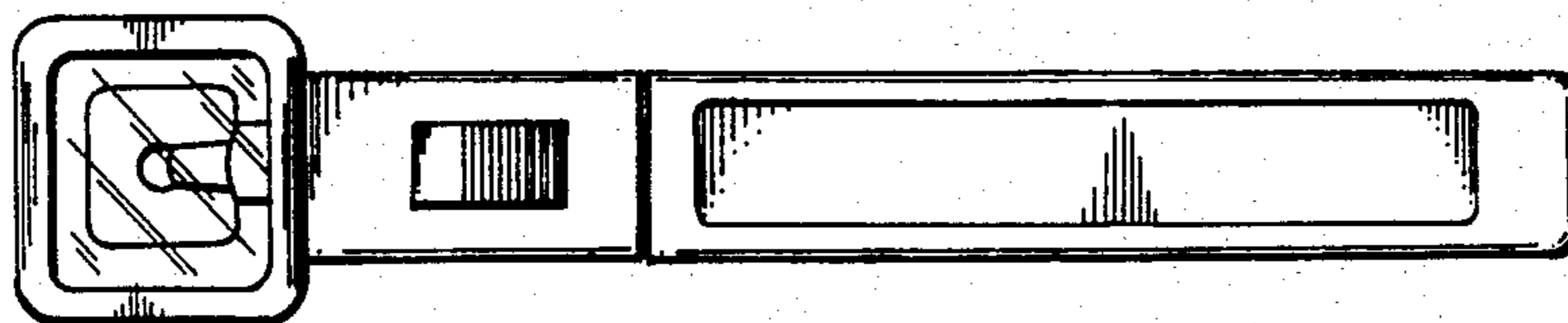




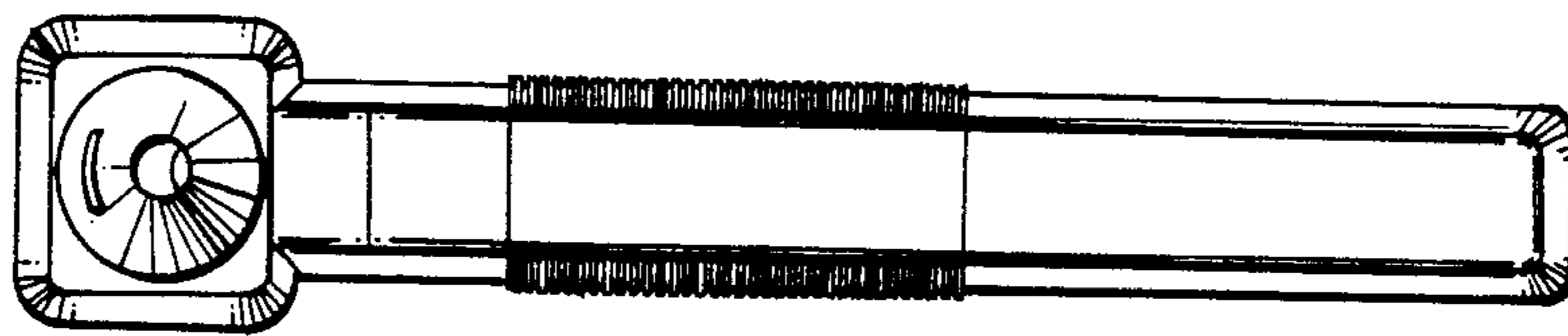
*Fig. 1.*



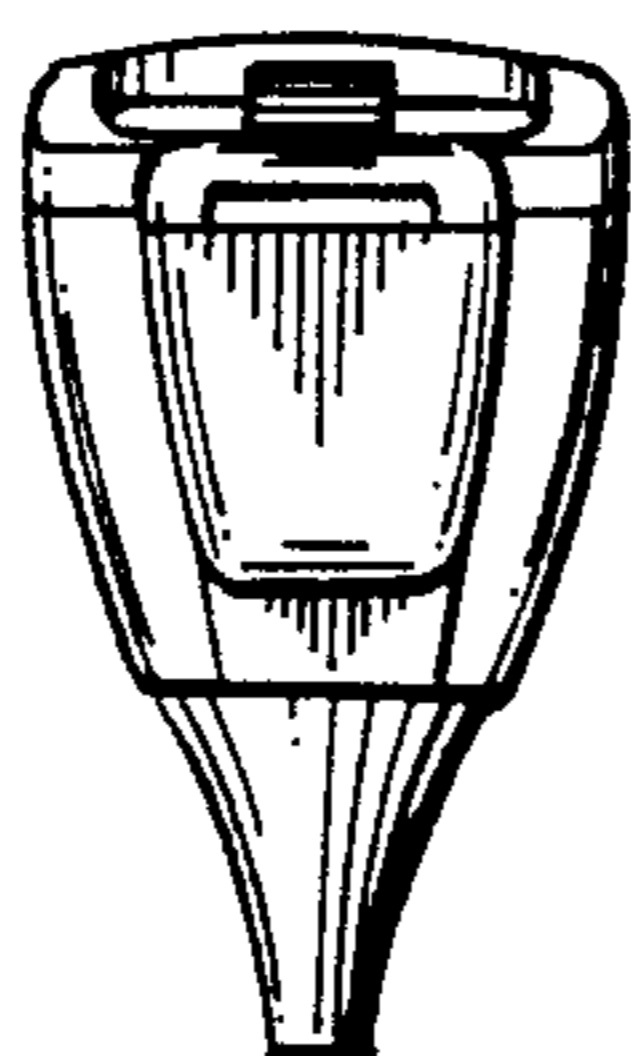
*Fig. 2.*



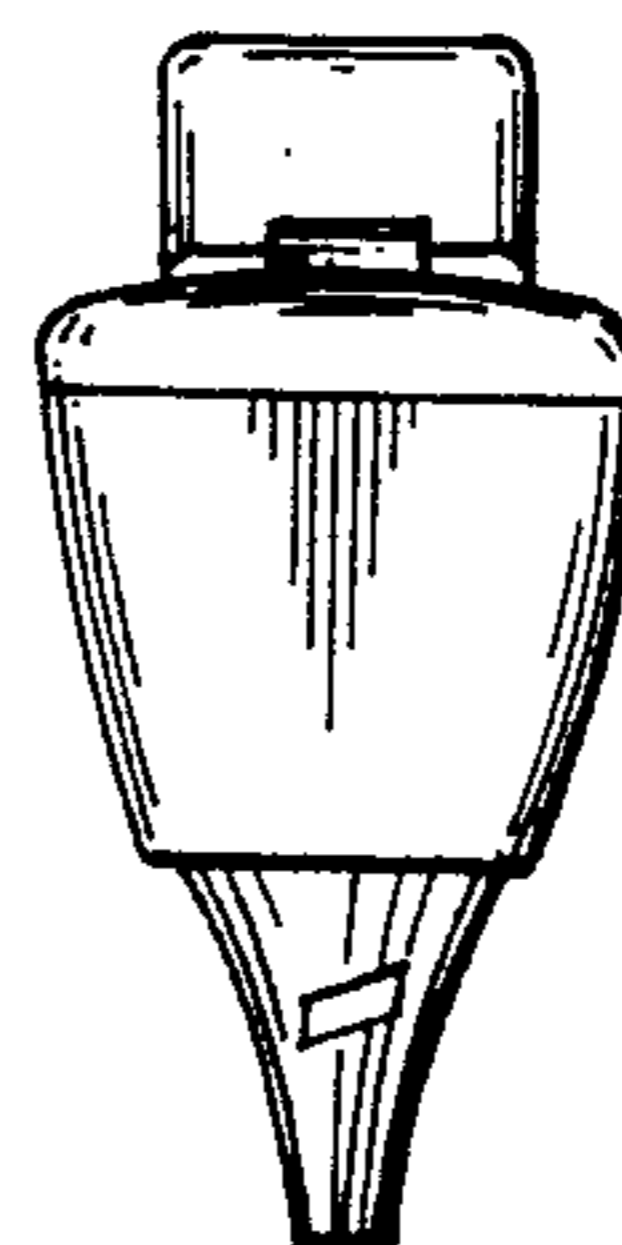
*Fig. 3.*



*Fig. 4.*



*Fig. 5.*



*Fig. 6.*