

[54] STOVE

[75] Inventor: John F. Desautels, Snohomish, Wash.

[73] Assignee: Avalon Corporation International, Seattle, Wash.

[**] Term: 14 Years

[21] Appl. No.: 762,439

[22] Filed: Aug. 5, 1985

[52] U.S. Cl. D23/97

[58] Field of Search D23/92-97, D23/105; 126/4, 6, 58, 60-66, 120, 121, 123, 126

[56] References Cited

U.S. PATENT DOCUMENTS

D. 249,544	9/1978	Bonney	D23/97
D. 255,710	7/1980	Heine	D23/97
D. 265,339	7/1982	Baughman	D23/97
D. 269,368	6/1983	Schrader	D23/97

OTHER PUBLICATIONS

Washington Stove Works Olympic 3500 Flyer. Gibraltar Stove brochure-Model CFS.

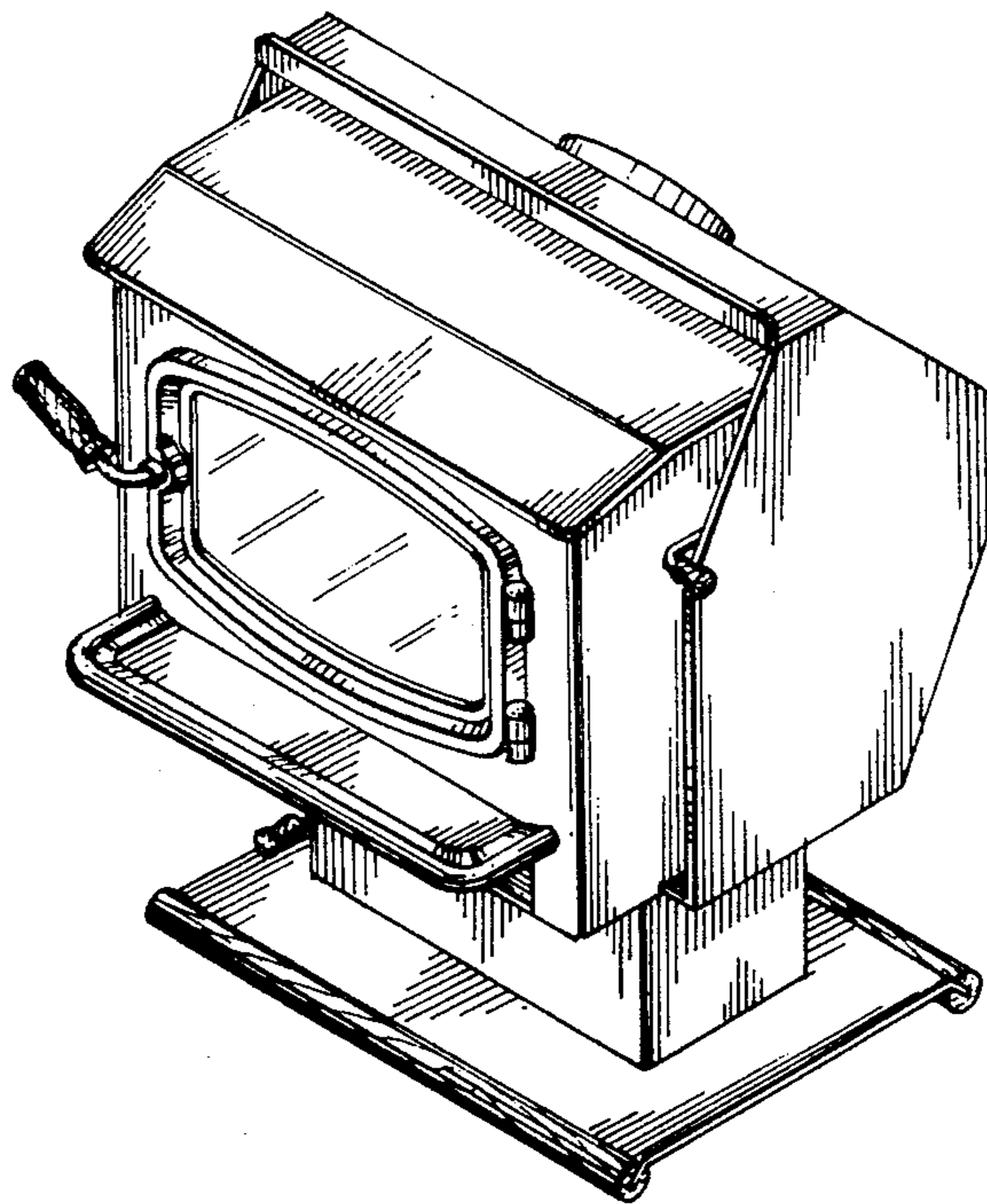
Primary Examiner—Catherine E. Kemper
Attorney, Agent, or Firm—Christensen, O'Connor, Johnson & Kindness

[57] CLAIM

The ornamental design for a stove, as shown and described.

DESCRIPTION

FIG. 1 is a front isometric view of a stove showing my new design;
FIG. 2 is a front elevation view thereof;
FIG. 3 is a left side elevation view thereof, the right side being substantially a mirror image thereof;
FIG. 4 is a rear elevation view thereof;
FIG. 5 is a top plan view thereof;
FIG. 6 is a bottom plan view thereof;
FIG. 7 is a front isometric view of a second embodiment of a stove;
FIG. 8 is a rear isometric view thereof.



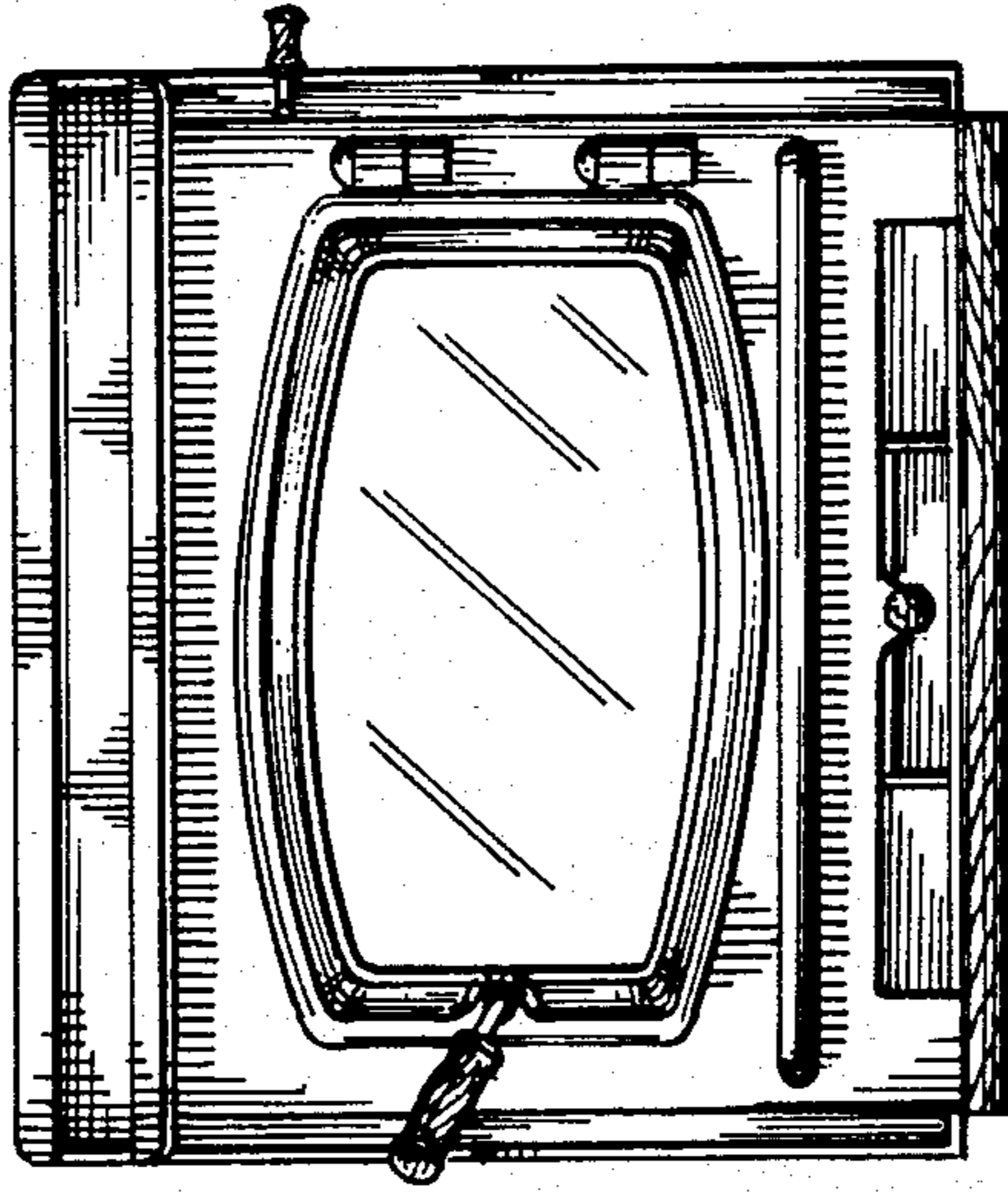


Fig. 2.

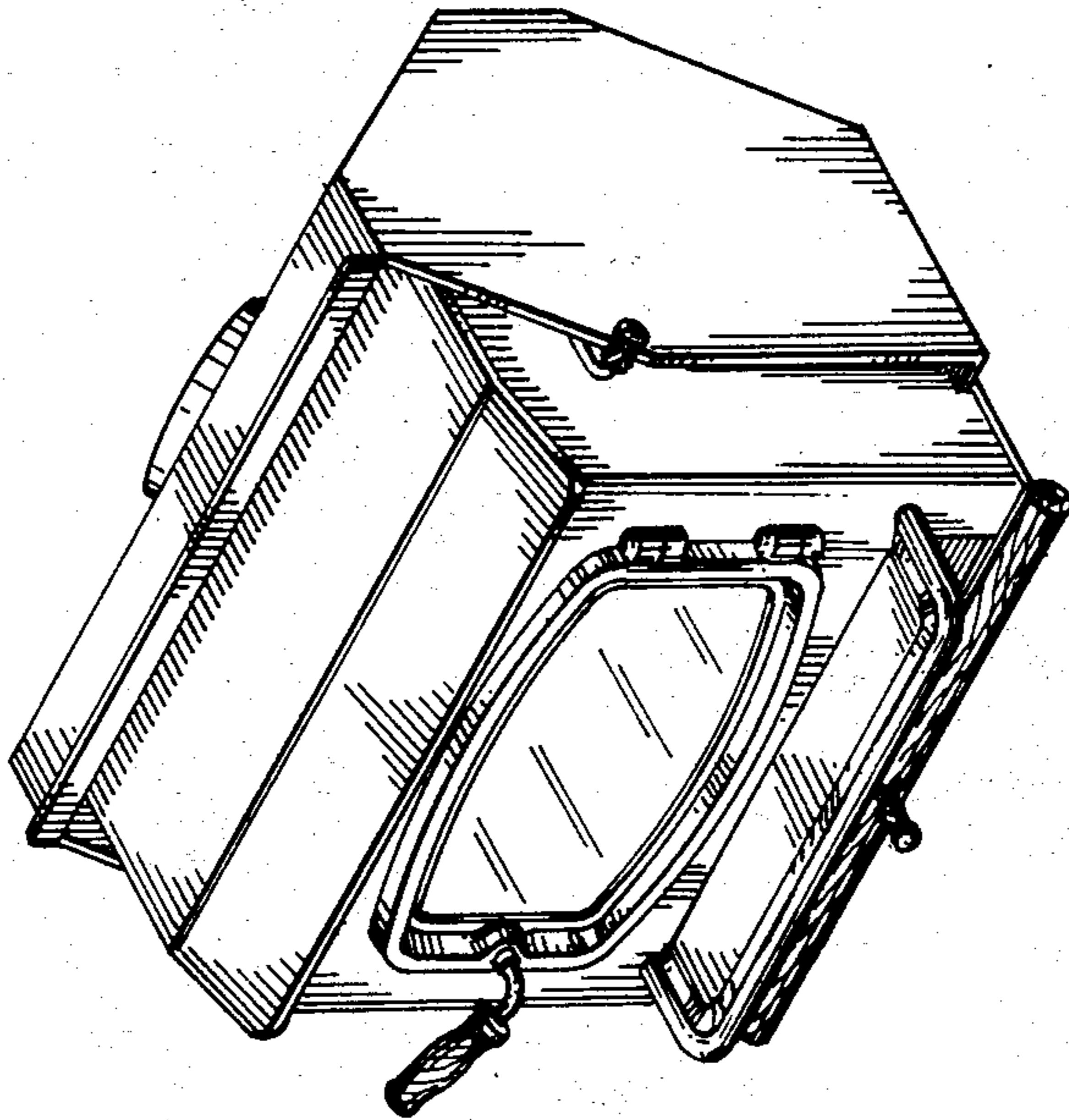


Fig. 1.

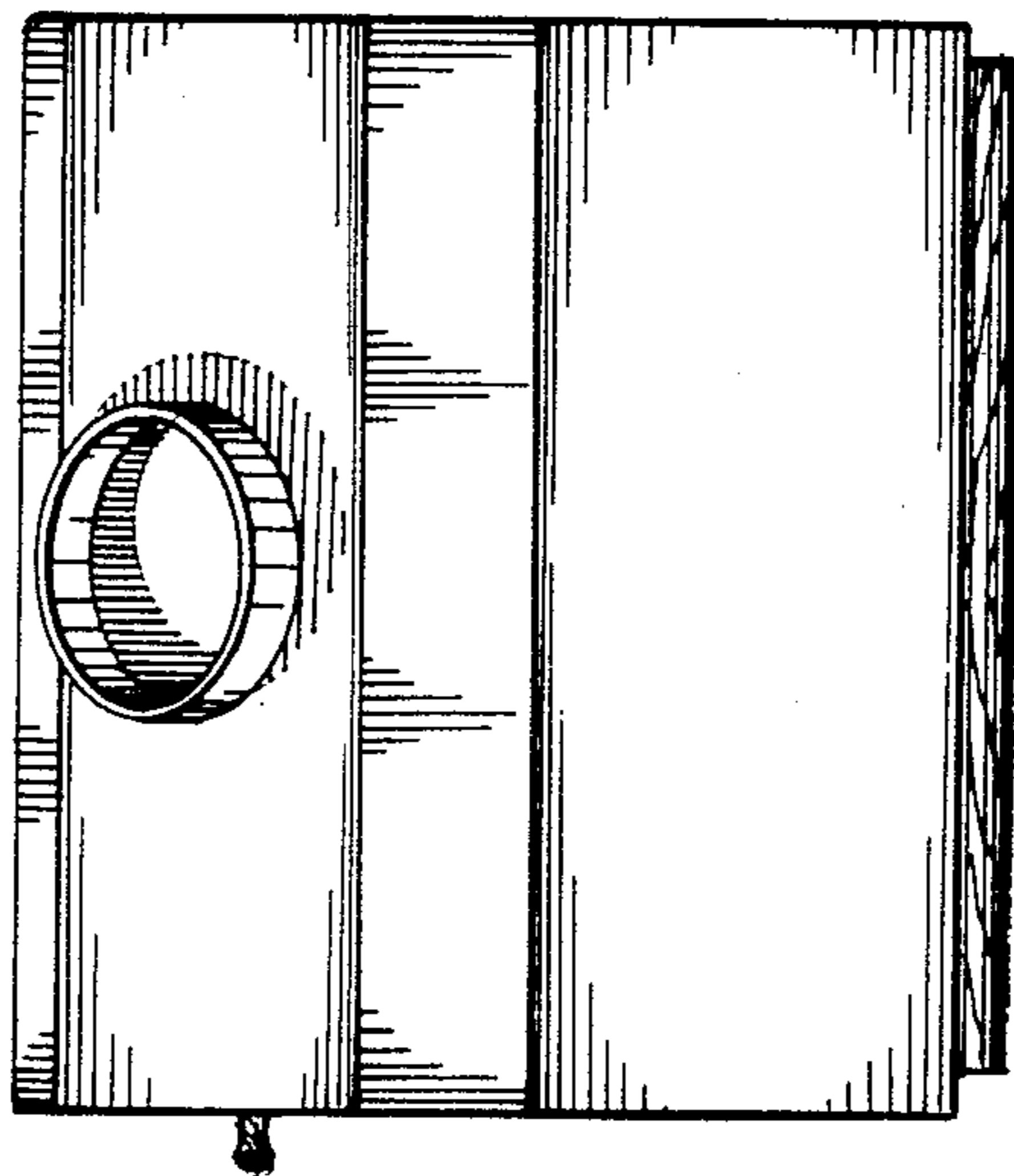


Fig. 4.

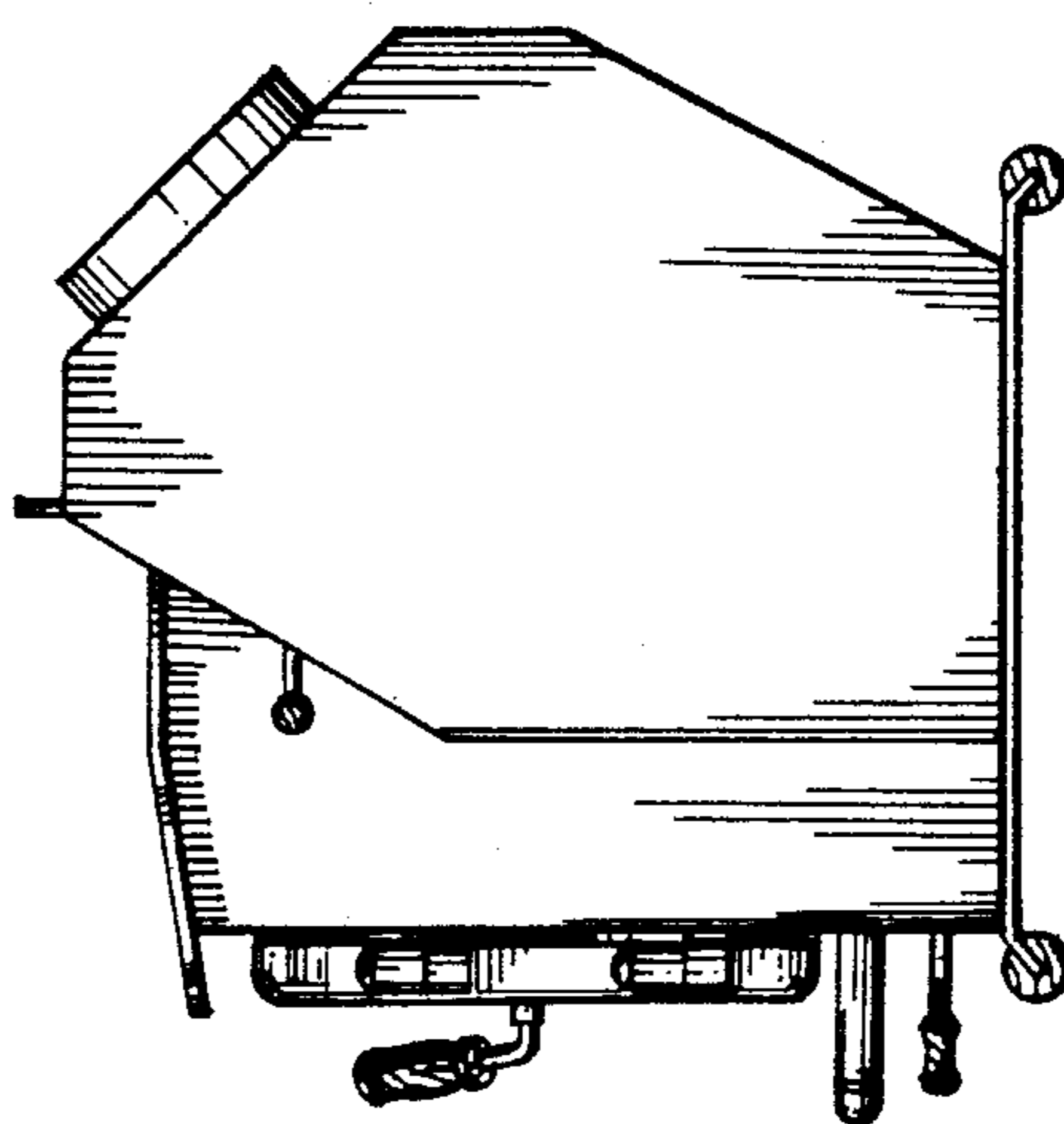


Fig. 3.

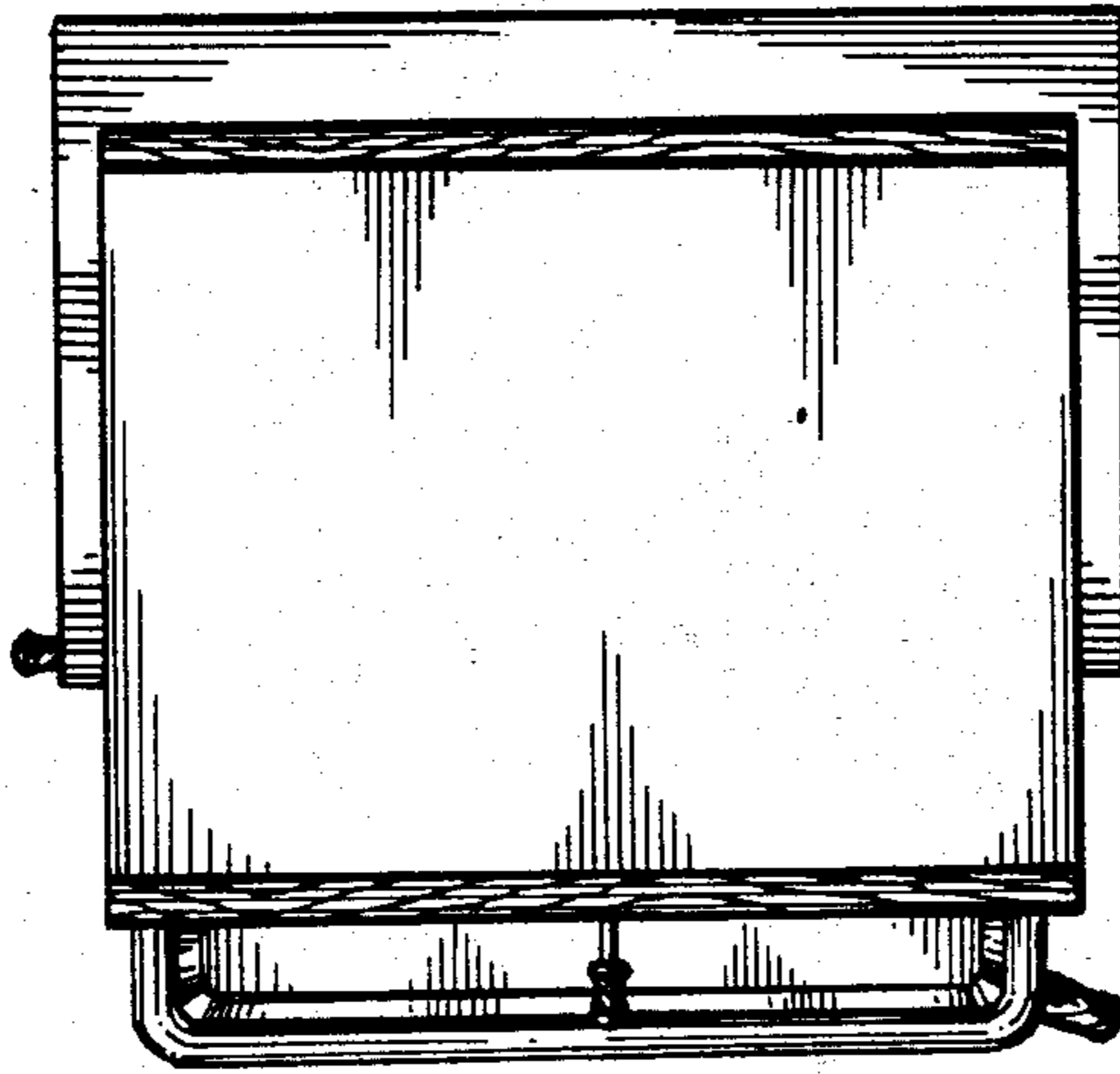


Fig. 6.

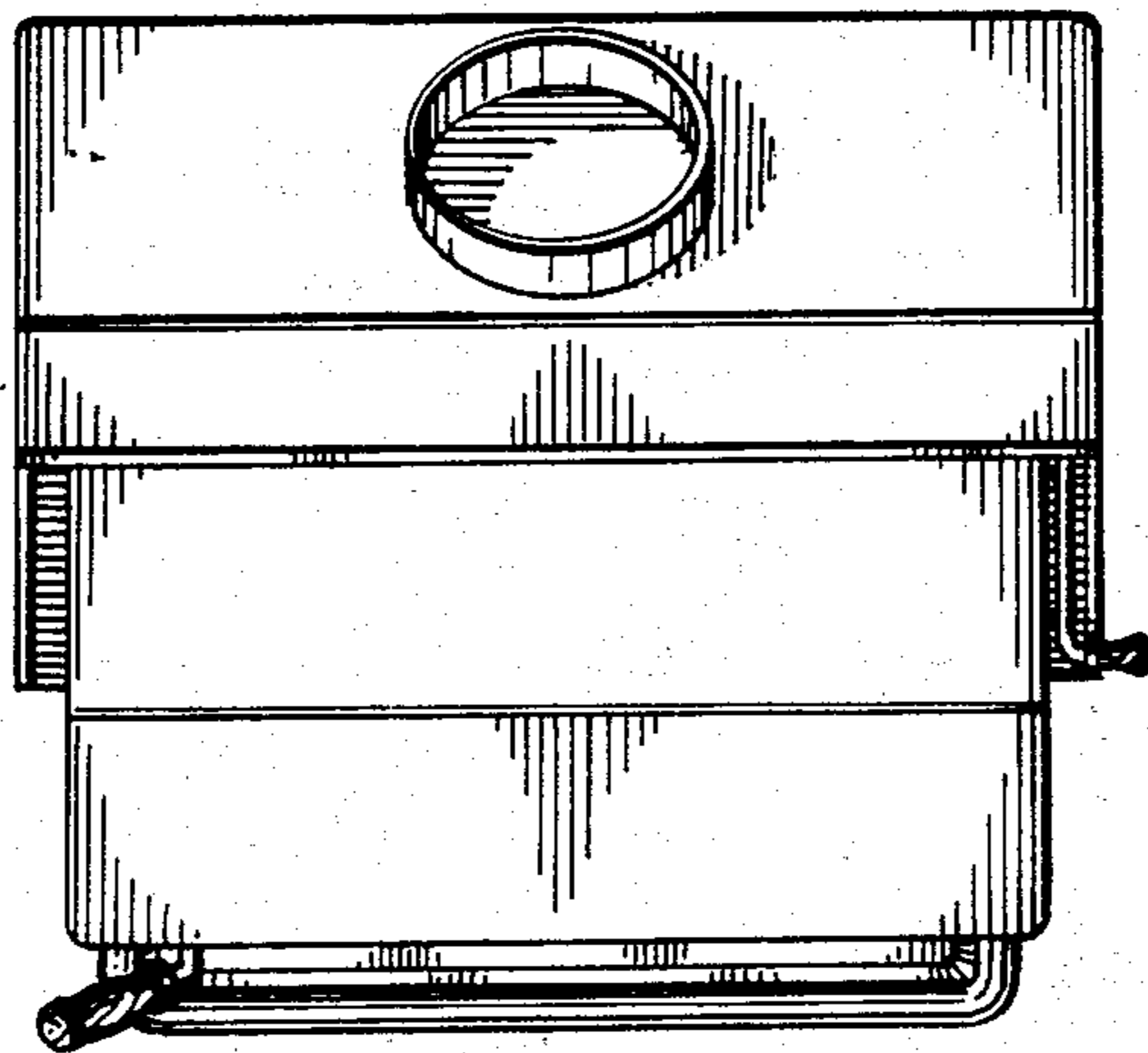


Fig. 5.

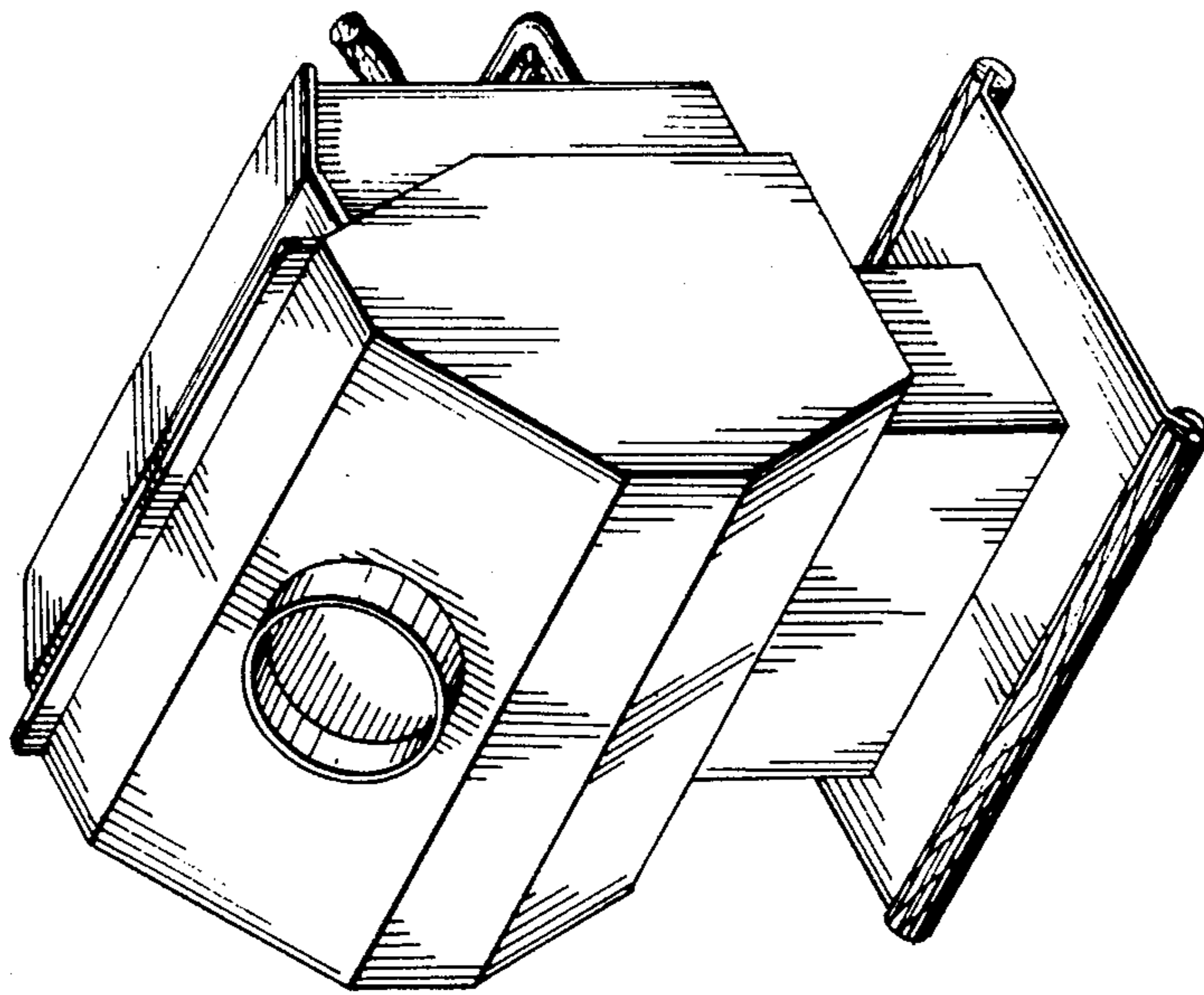


Fig. 8.

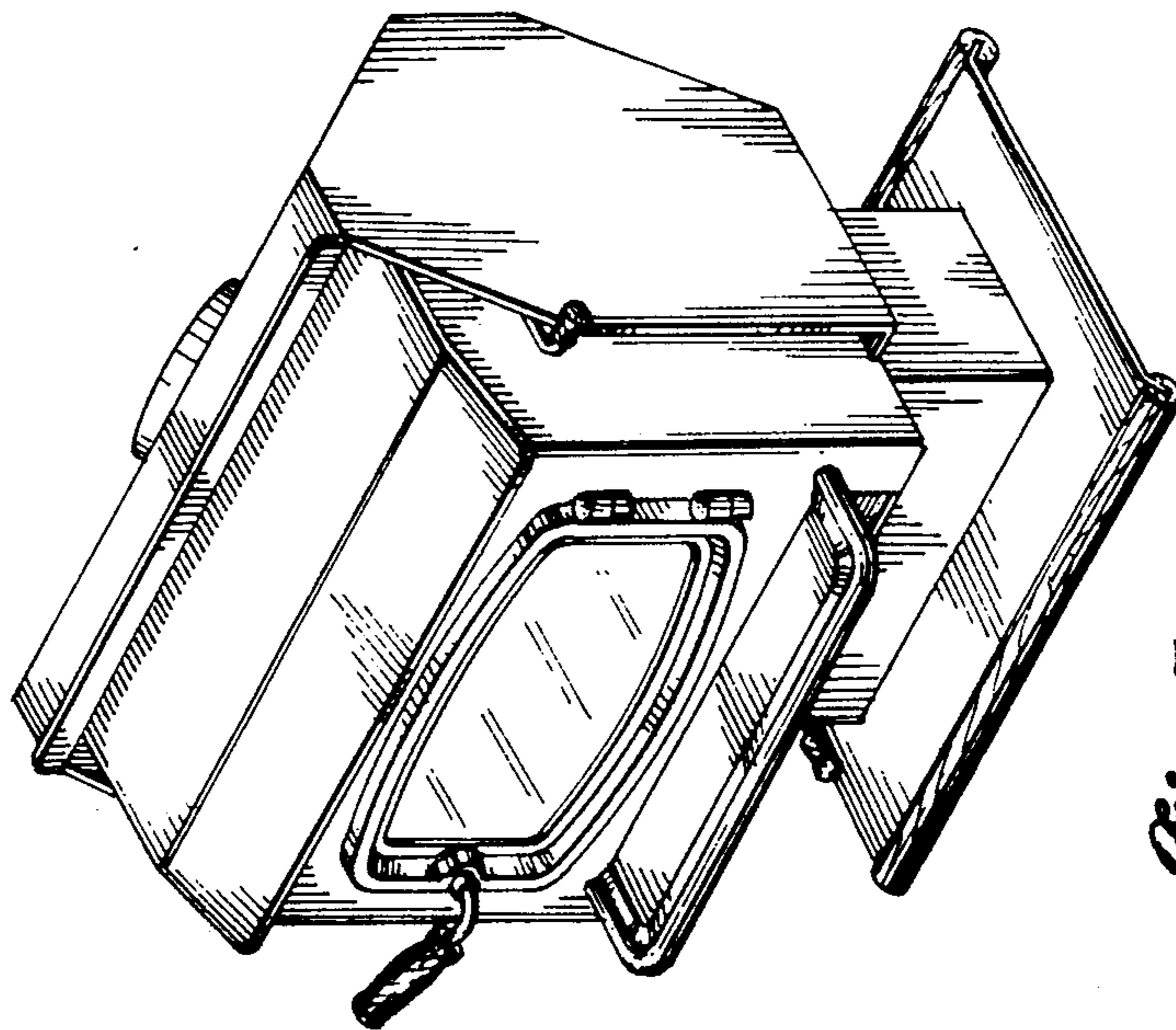


Fig. 7.