

[54] **FREE-STANDING STOVE**

[75] **Inventor: John F. Desautels, Snohomish, Wash.**

[73] **Assignee: Avalon Corporation International, Seattle, Wash.**

[**] **Term: 14 Years**

[21] **Appl. No.: 762,437**

[22] **Filed: Aug. 5, 1985**

[52] **U.S. Cl. D23/97**

[58] **Field of Search D23/92-97, D23/105; 126/4, 6, 58, 60-66, 120, 121, 123, 126**

[56] **References Cited**

U.S. PATENT DOCUMENTS

- D. 249,544 9/1978 Bonney D23/97
- D. 265,339 7/1982 Baughman D23/97
- D. 269,368 6/1983 Schrader D23/97

OTHER PUBLICATIONS

Washington Stove Works Olympic 3500 Flyer.
Gibraltar Stove brochure-Model CFS.

Primary Examiner—Catherine E. Kemper
Attorney, Agent, or Firm—Christensen, O'Connor,
Johnson & Kindness

[57] **CLAIM**

The ornamental design for a free-standing stove, as shown and described.

DESCRIPTION

FIG. 1 is a front isometric view of a free-standing stove showing my new design;

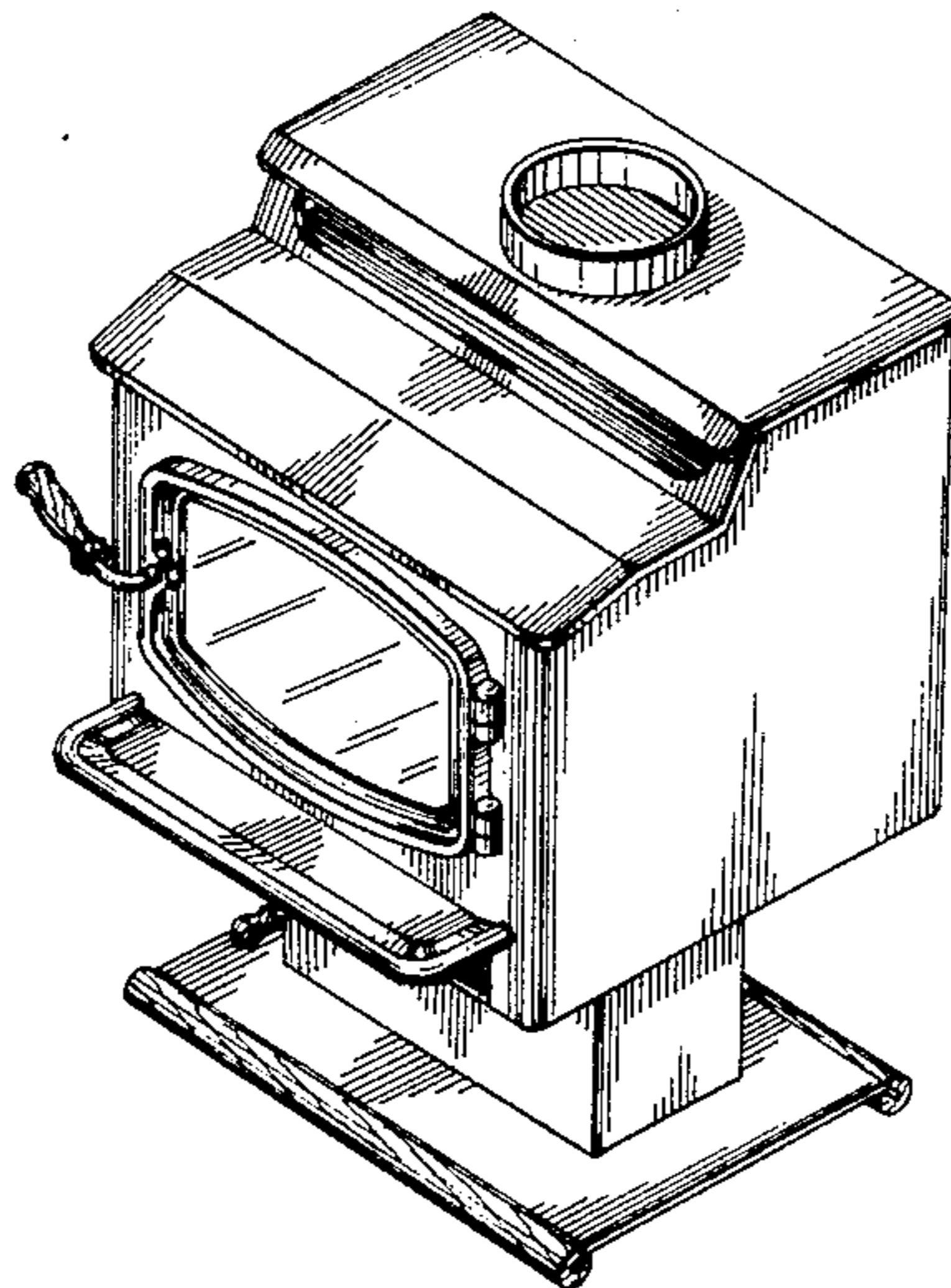
FIG. 2 is a front elevation view thereof;

FIG. 3 is a left side elevation view thereof, the right side being substantially a mirror image thereof;

FIG. 4 is a rear elevation view thereof;

FIG. 5 is a top plan view thereof; and

FIG. 6 is a bottom plan view thereof.



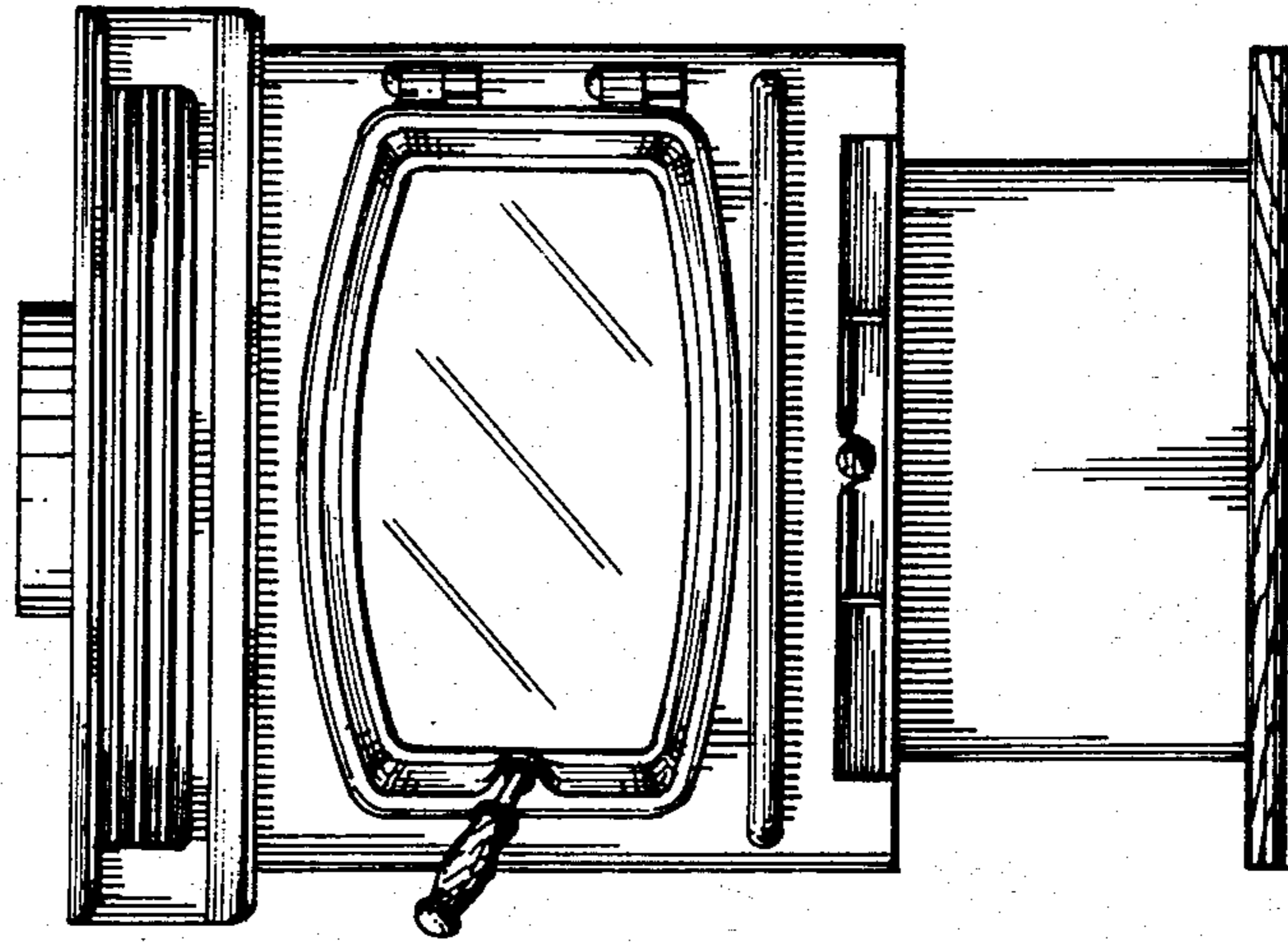


Fig. 2.

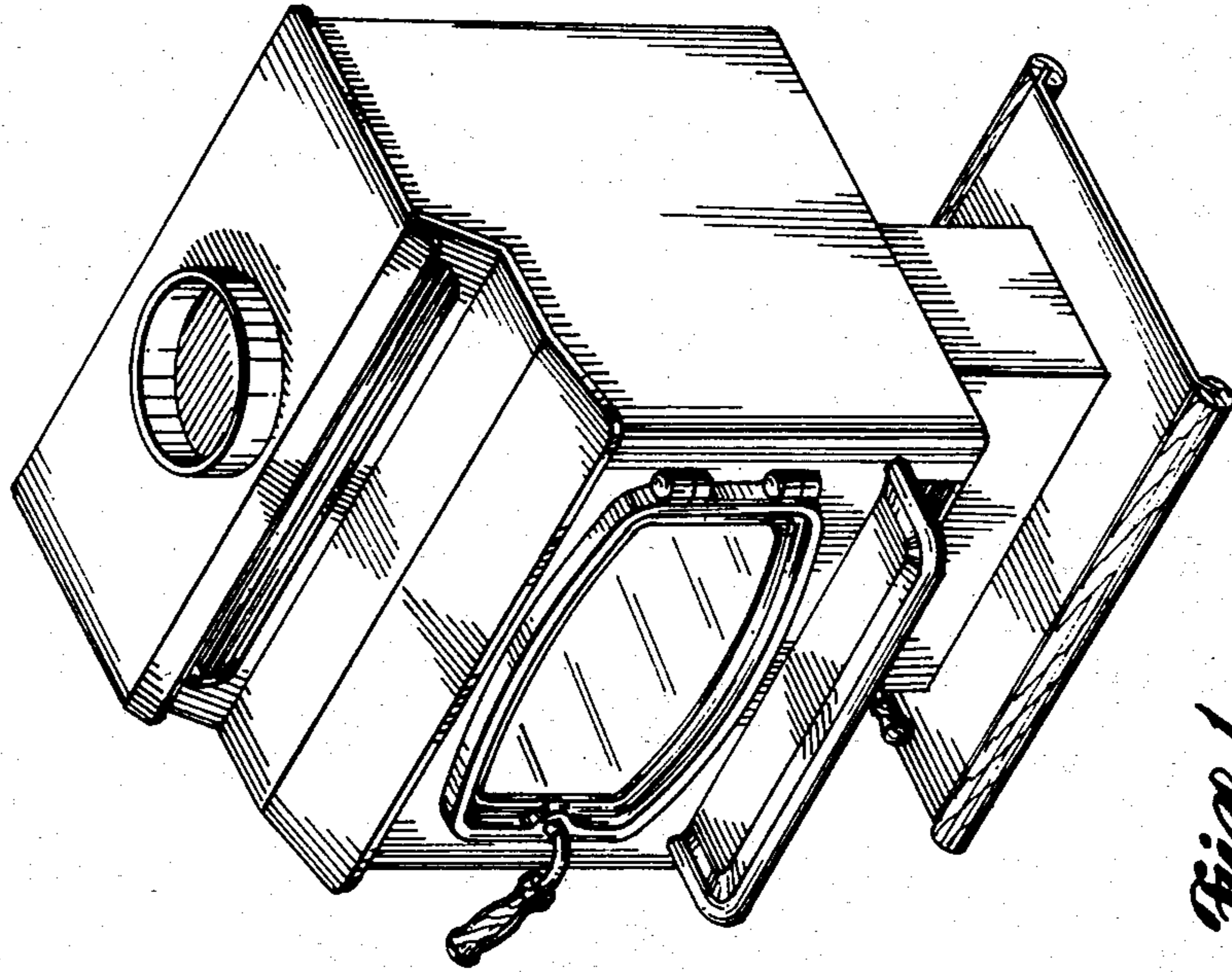


Fig. 1.

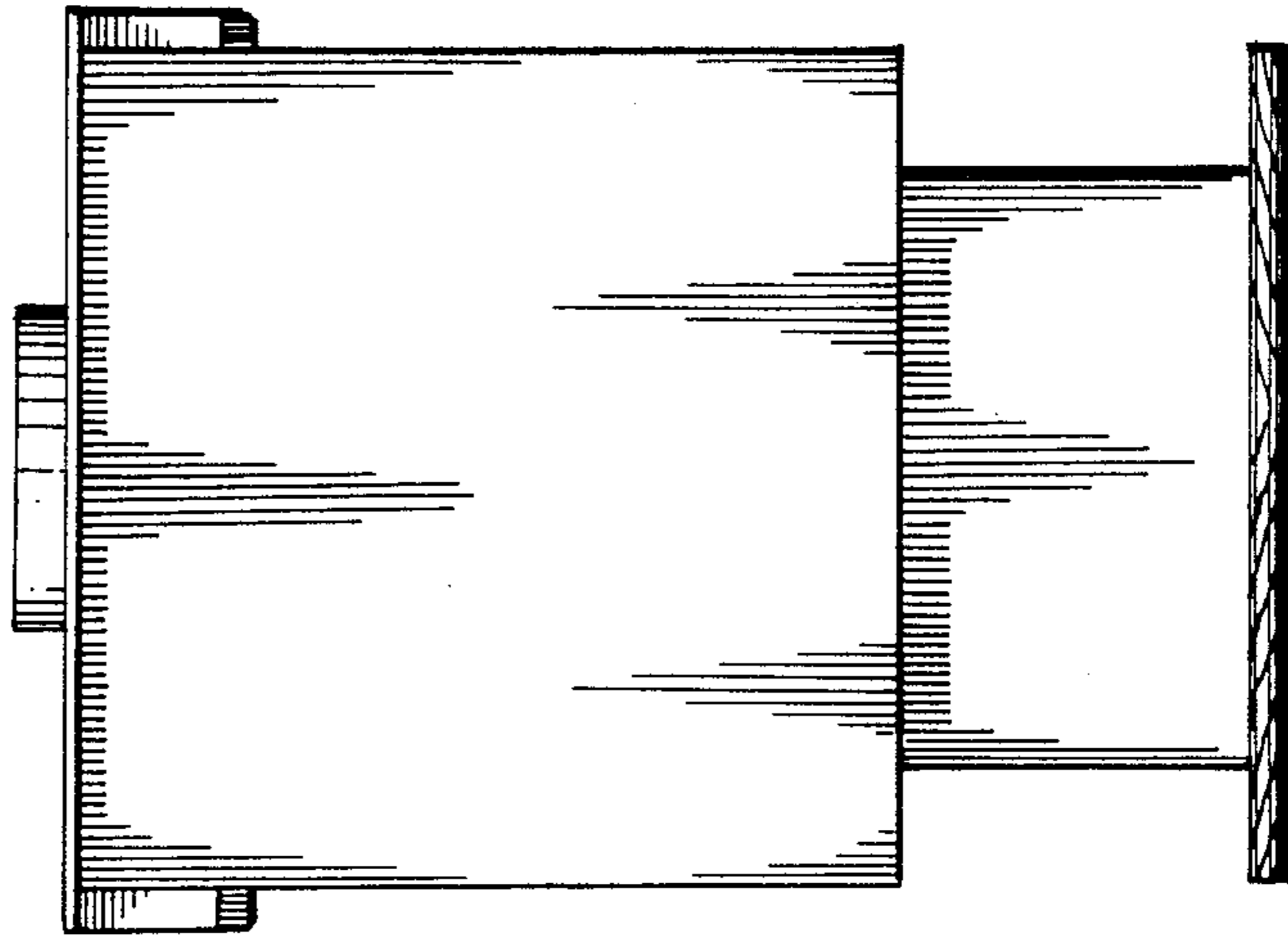


Fig. 4.

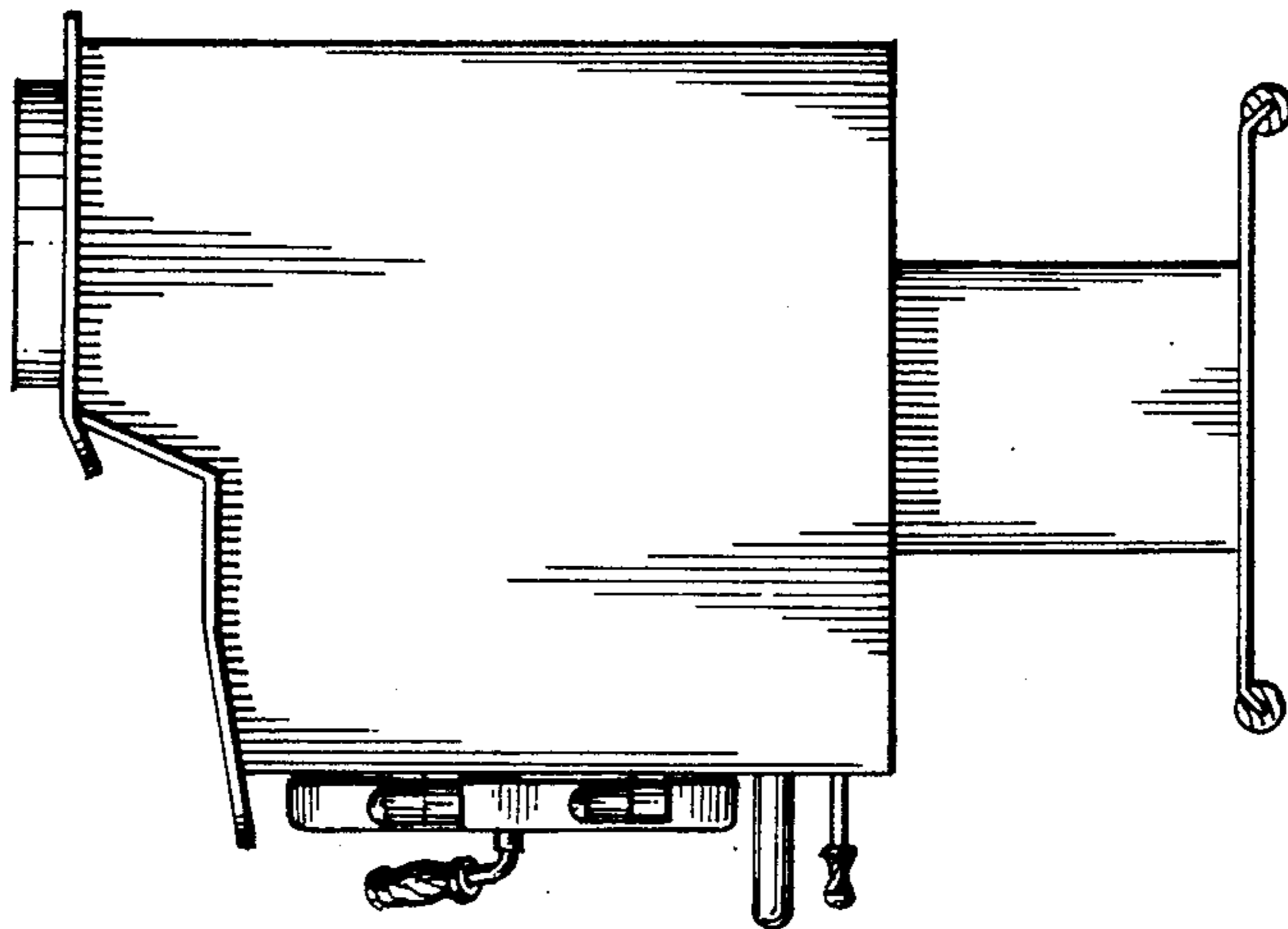


Fig. 3.

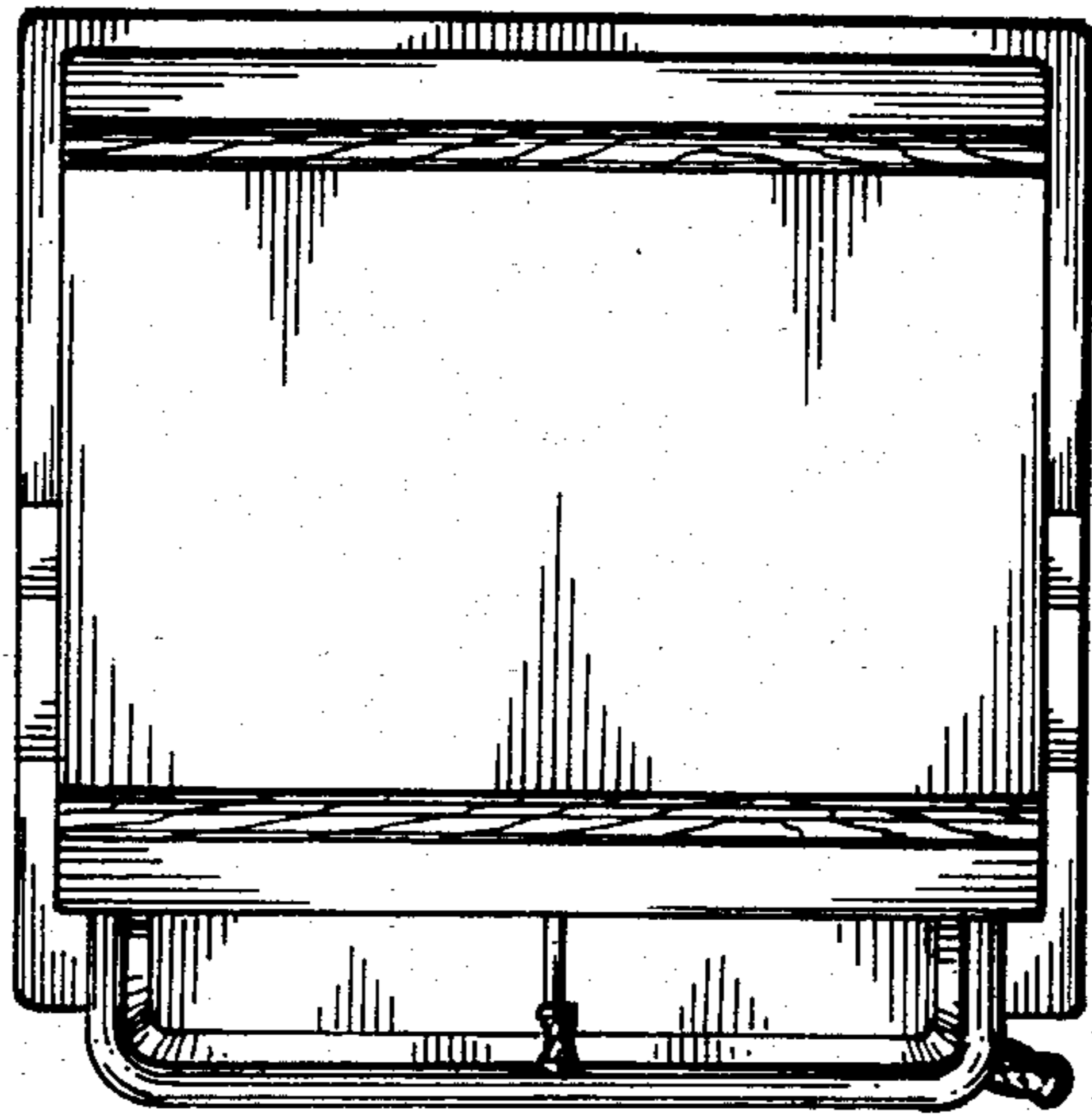


Fig. 6.

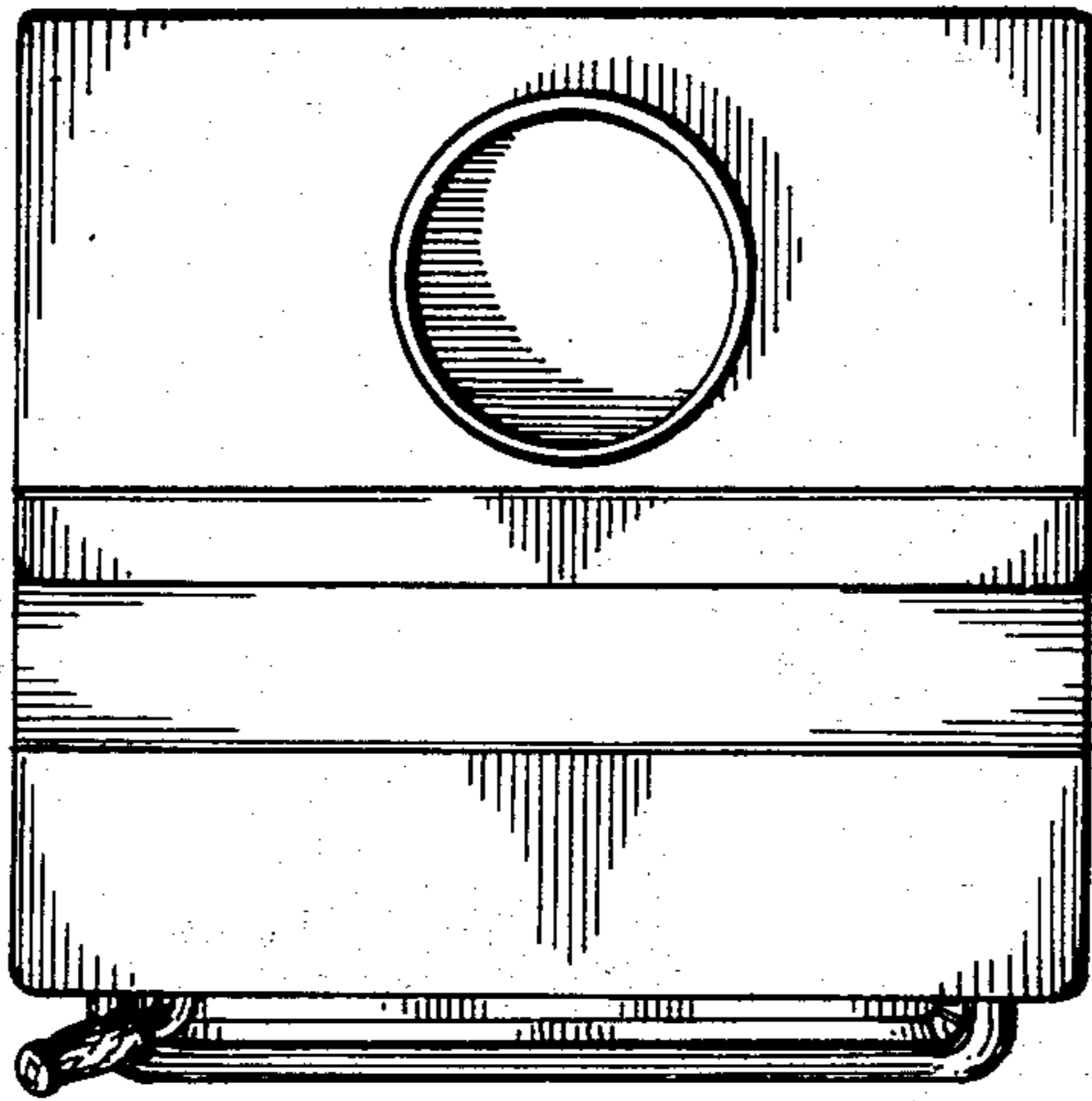


Fig. 5.