

[54] FIREPLACE INSERT

[75] Inventor: John F. Desautels, Snohomish, Wash.

[73] Assignee: Avalon Corporation International, Seattle, Wash.

[**] Term: 14 Years

[21] Appl. No.: 762,438

[22] Filed: Aug. 5, 1985

[52] U.S. Cl. D23/94

[58] Field of Search D23/92-97, D23/105; 126/4, 6, 58, 60-66, 120, 121, 123, 126

[56] References Cited

U.S. PATENT DOCUMENTS

- D. 264,750 6/1982 Horpestad D23/95
- D. 266,866 11/1982 Penland D23/94
- D. 276,180 10/1984 Buehler D23/94

OTHER PUBLICATIONS

Selkirk Fireplace Insert brochure.
Gibraltar Stove brochure—Model CFI.

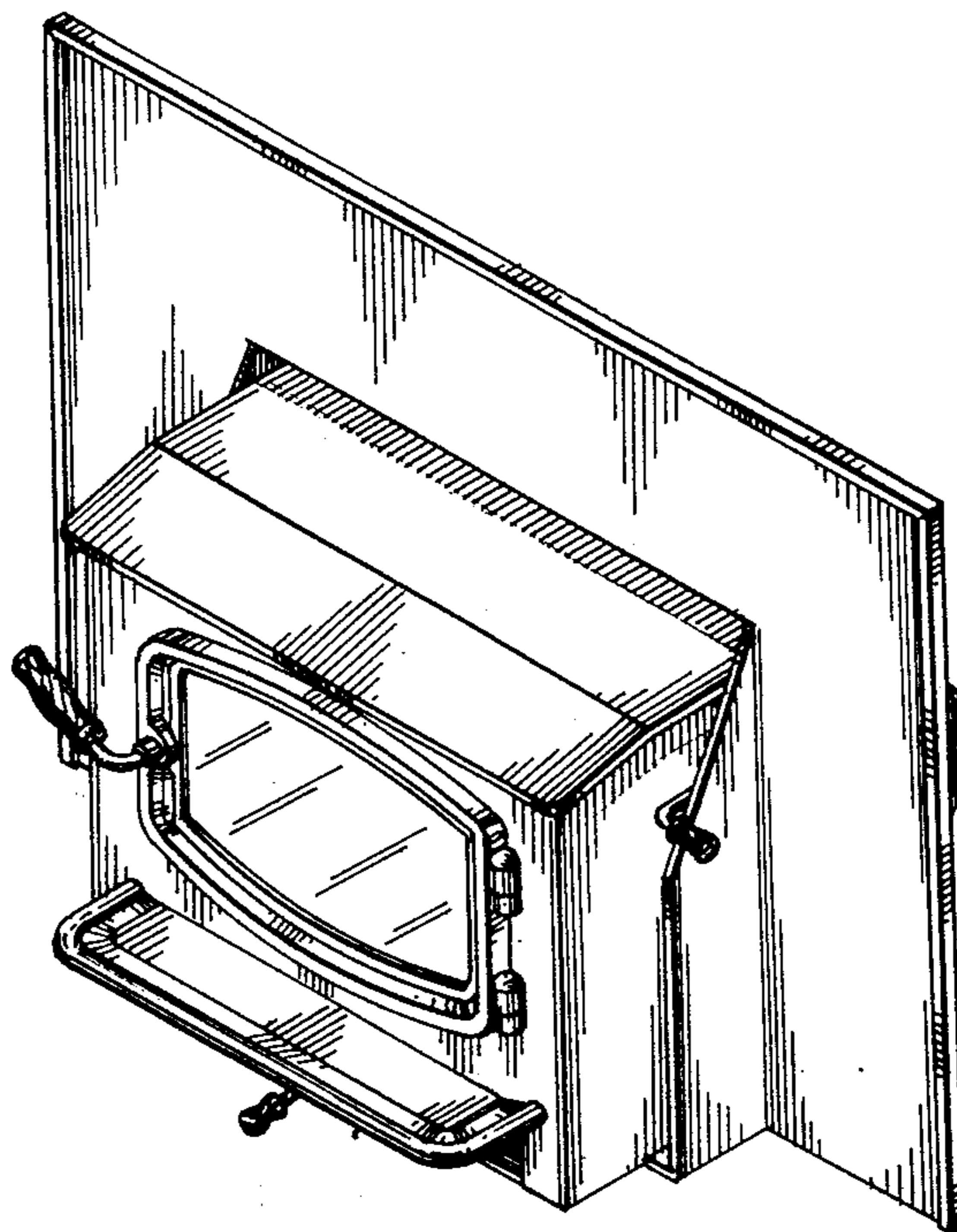
Primary Examiner—Catherine E. Kemper
Attorney, Agent, or Firm—Christensen, O'Connor,
Johnson & Kindness

[57] CLAIM

The ornamental design for a fireplace insert, as shown and described.

DESCRIPTION

FIG. 1 is a front isometric view of a fireplace insert showing my new design;
 FIG. 2 is a front elevation view thereof;
 FIG. 3 is a left side elevation view thereof, the right side being substantially a mirror image thereof;
 FIG. 4 is a rear elevation view thereof;
 FIG. 5 is a top plan view thereof;
 FIG. 6 is a bottom plan view thereof;
 FIG. 7 is a rear isometric view thereof; and
 FIG. 8 is a rear isometric view of a second embodiment of a fireplace insert, the front being identical to the front of the first embodiment.



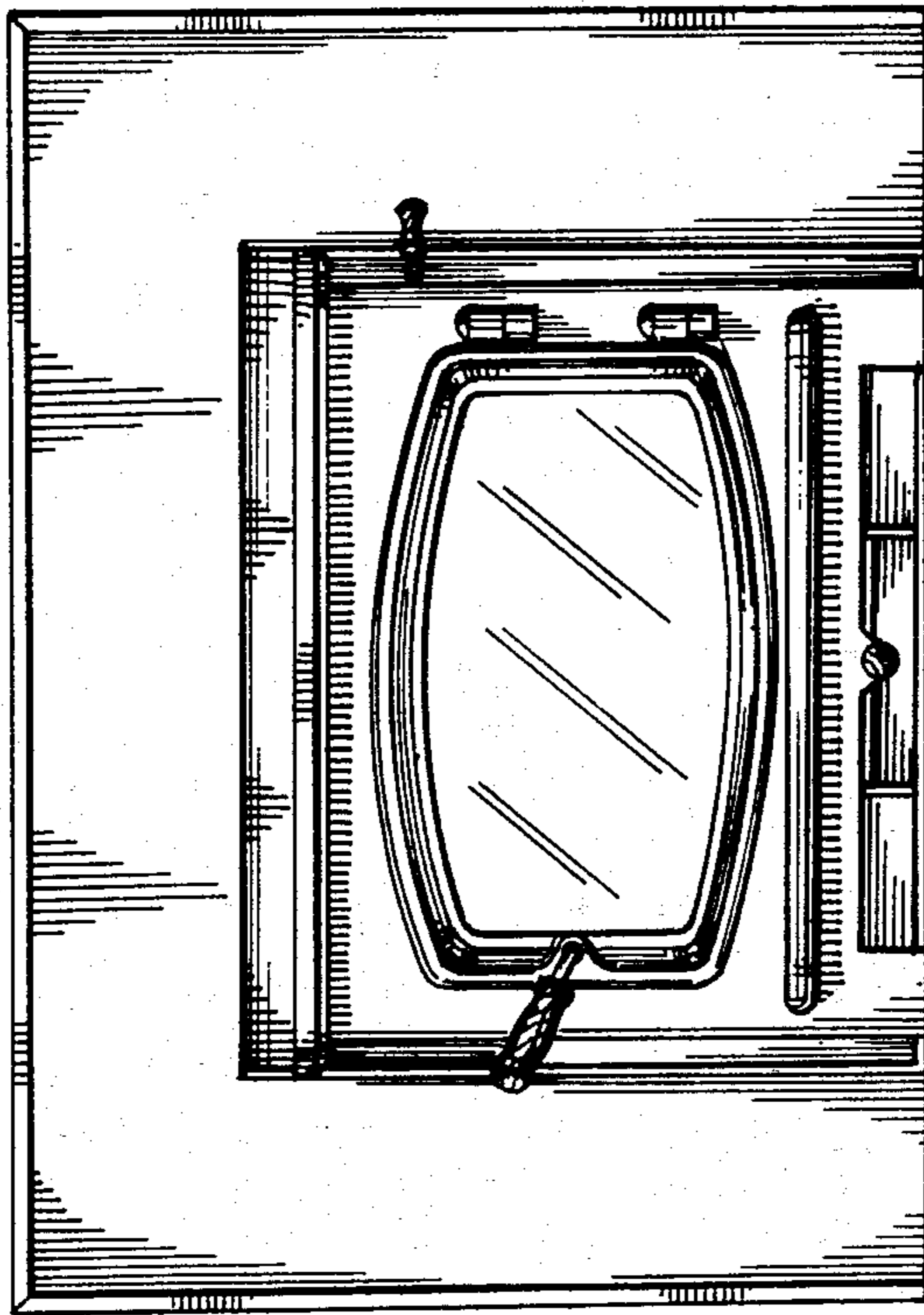


Fig. 2.

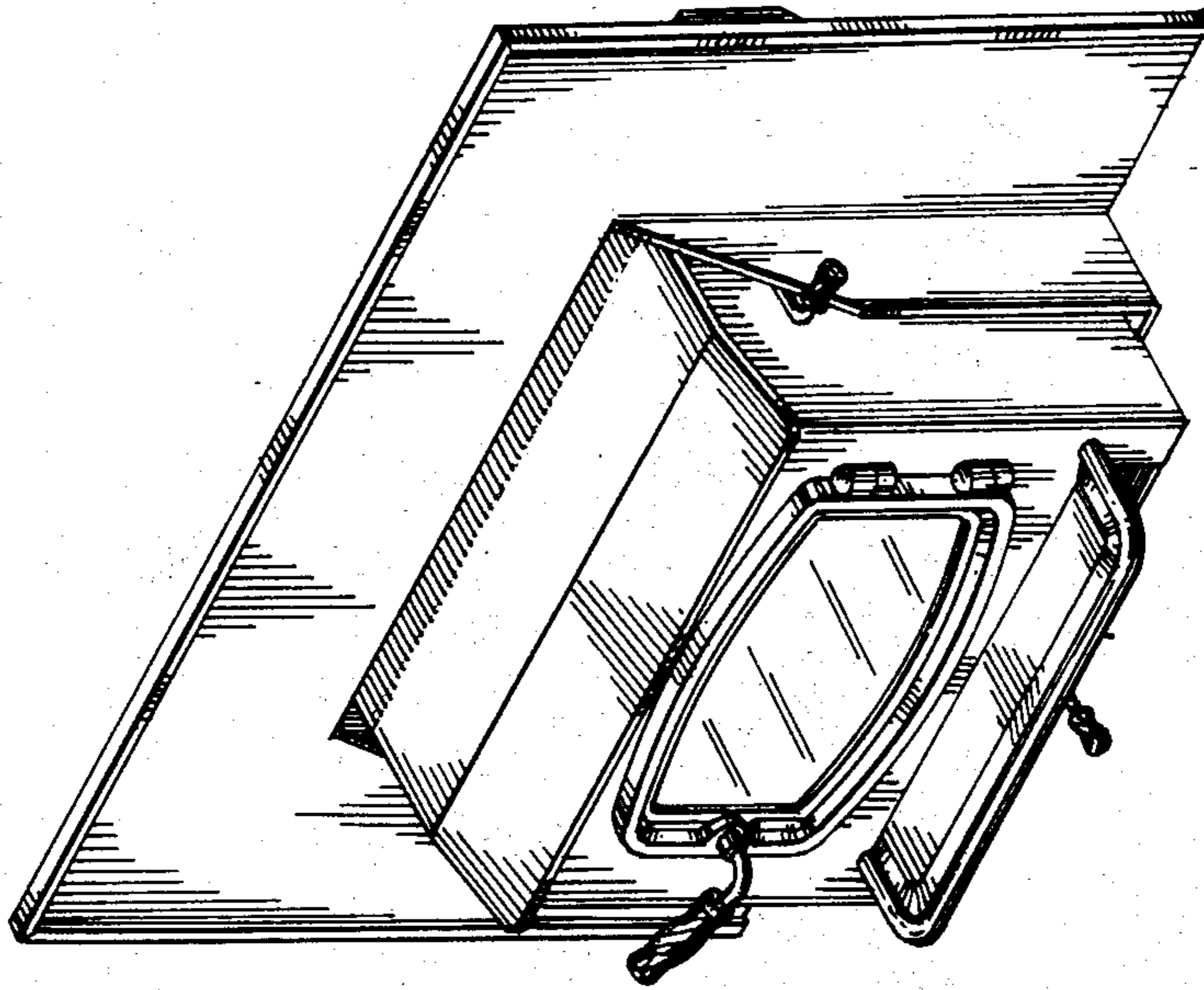


Fig. 1.

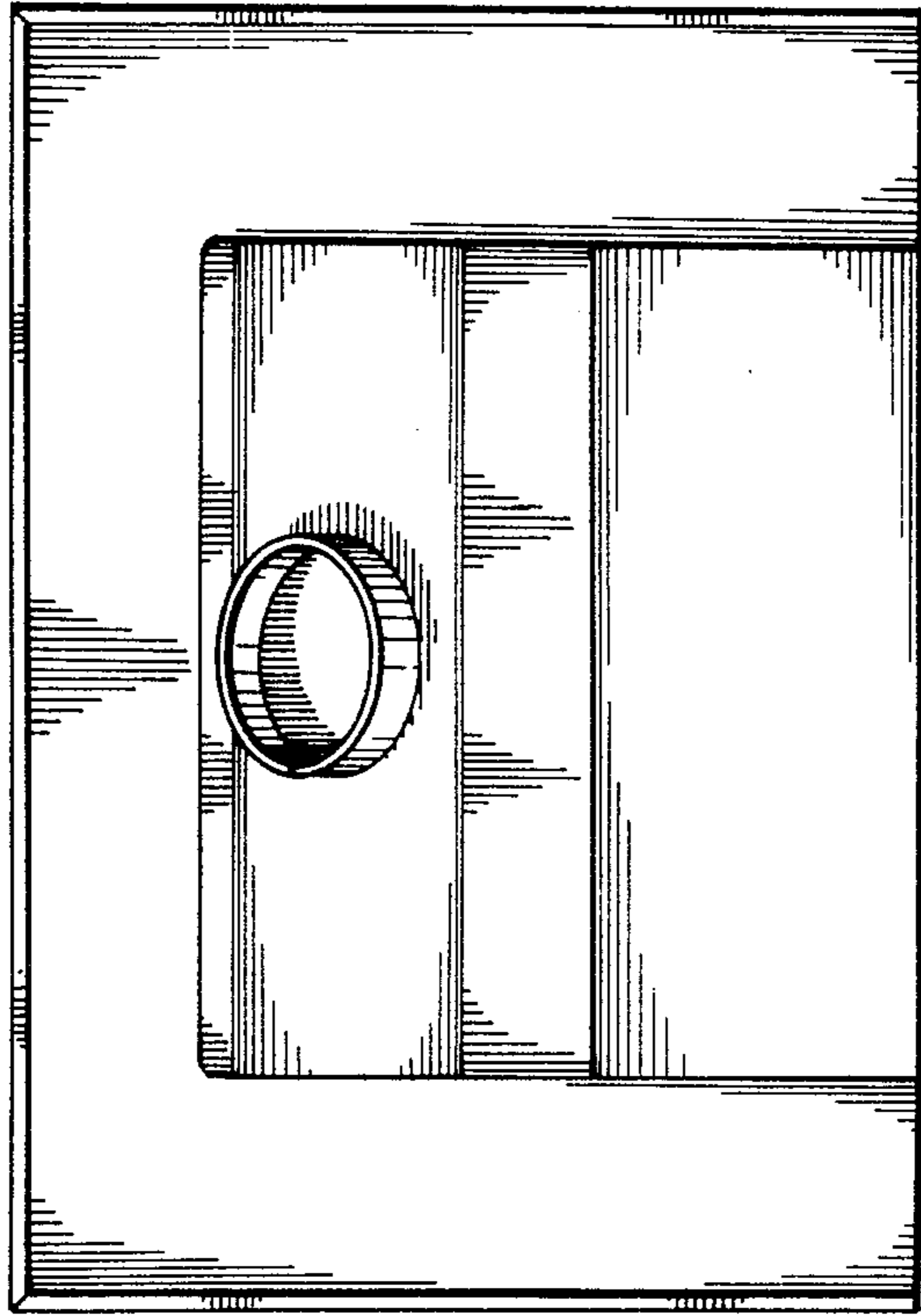


Fig. 4.

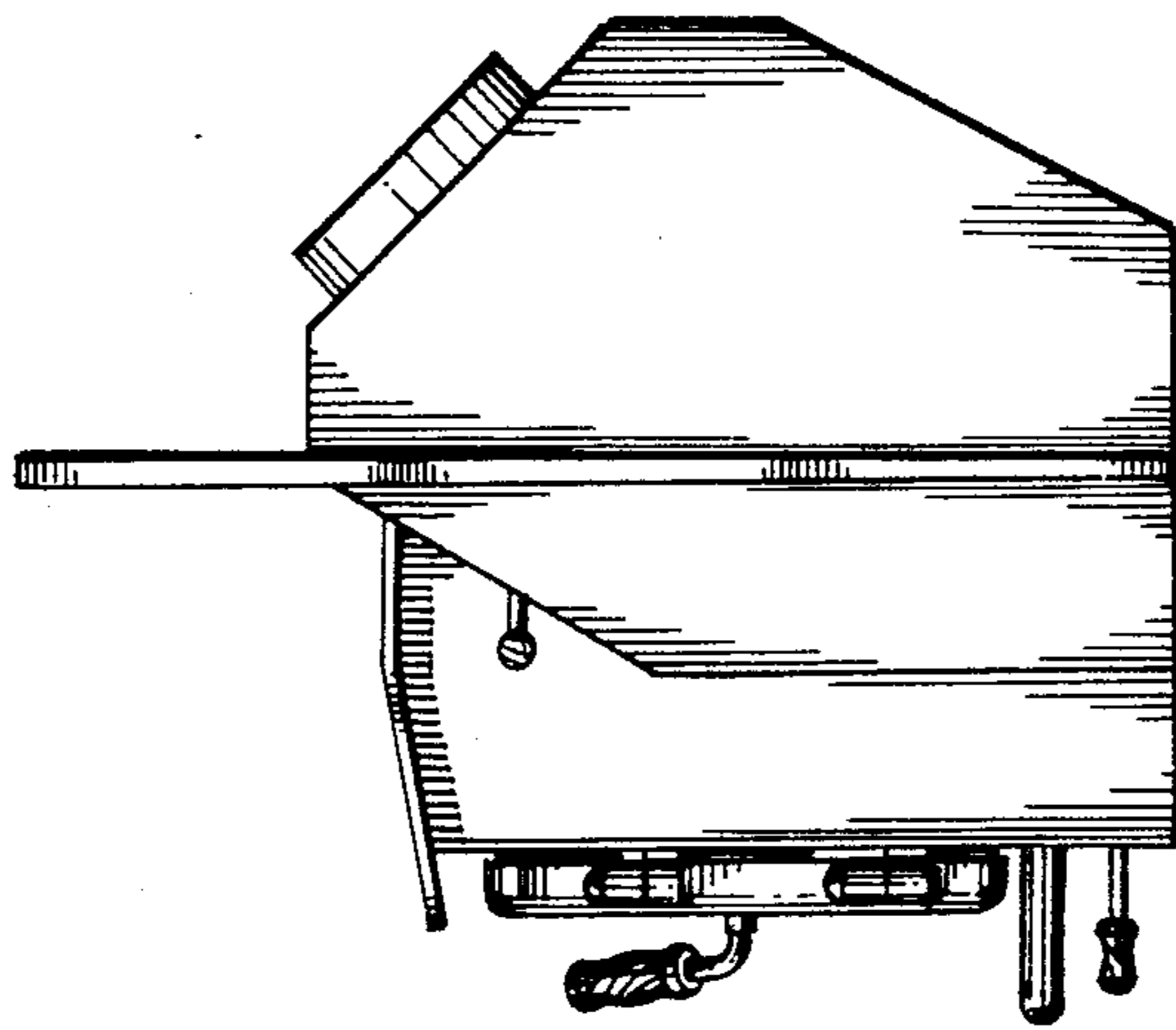


Fig. 3.

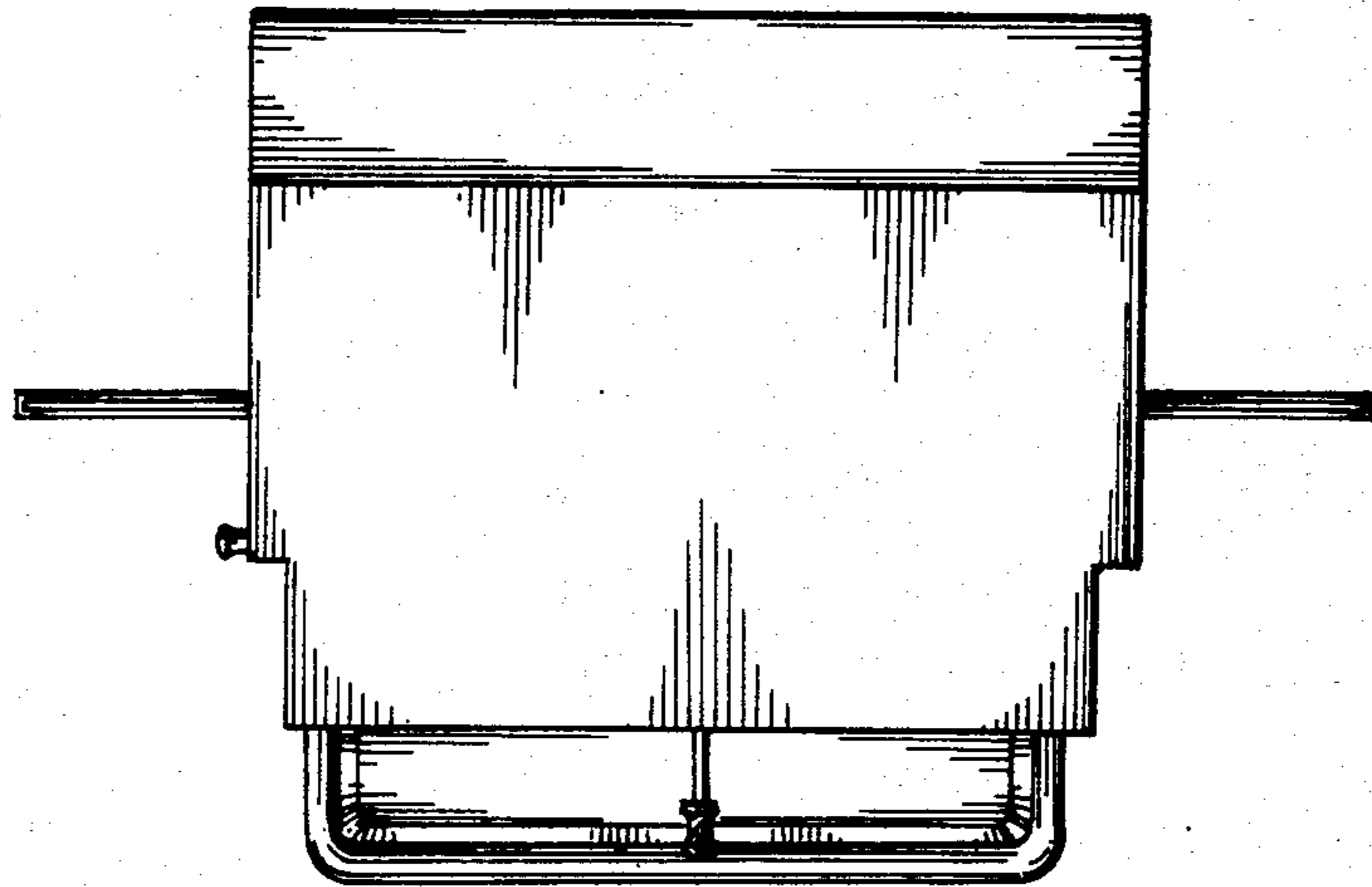


Fig. 6.

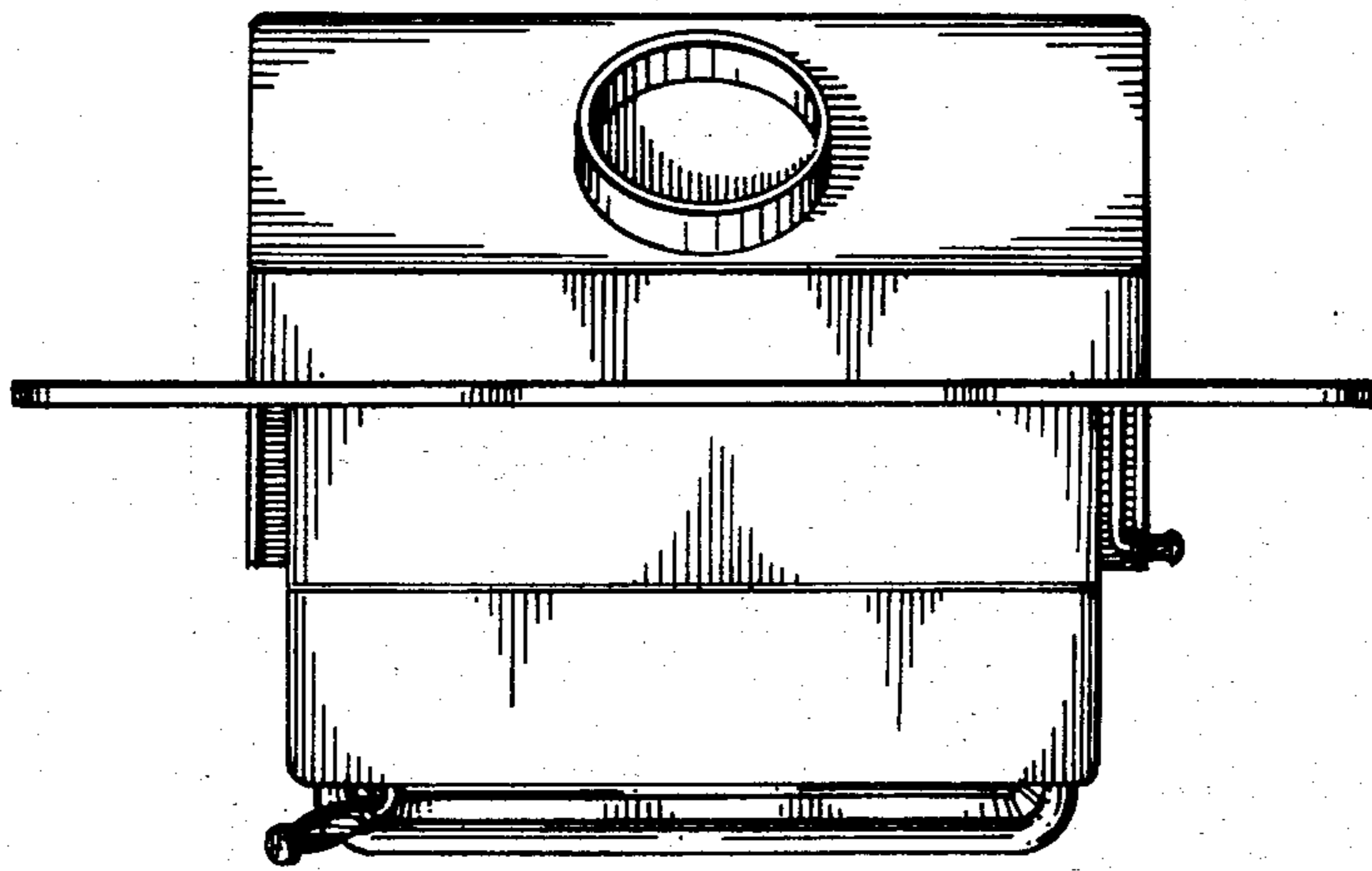


Fig. 5.

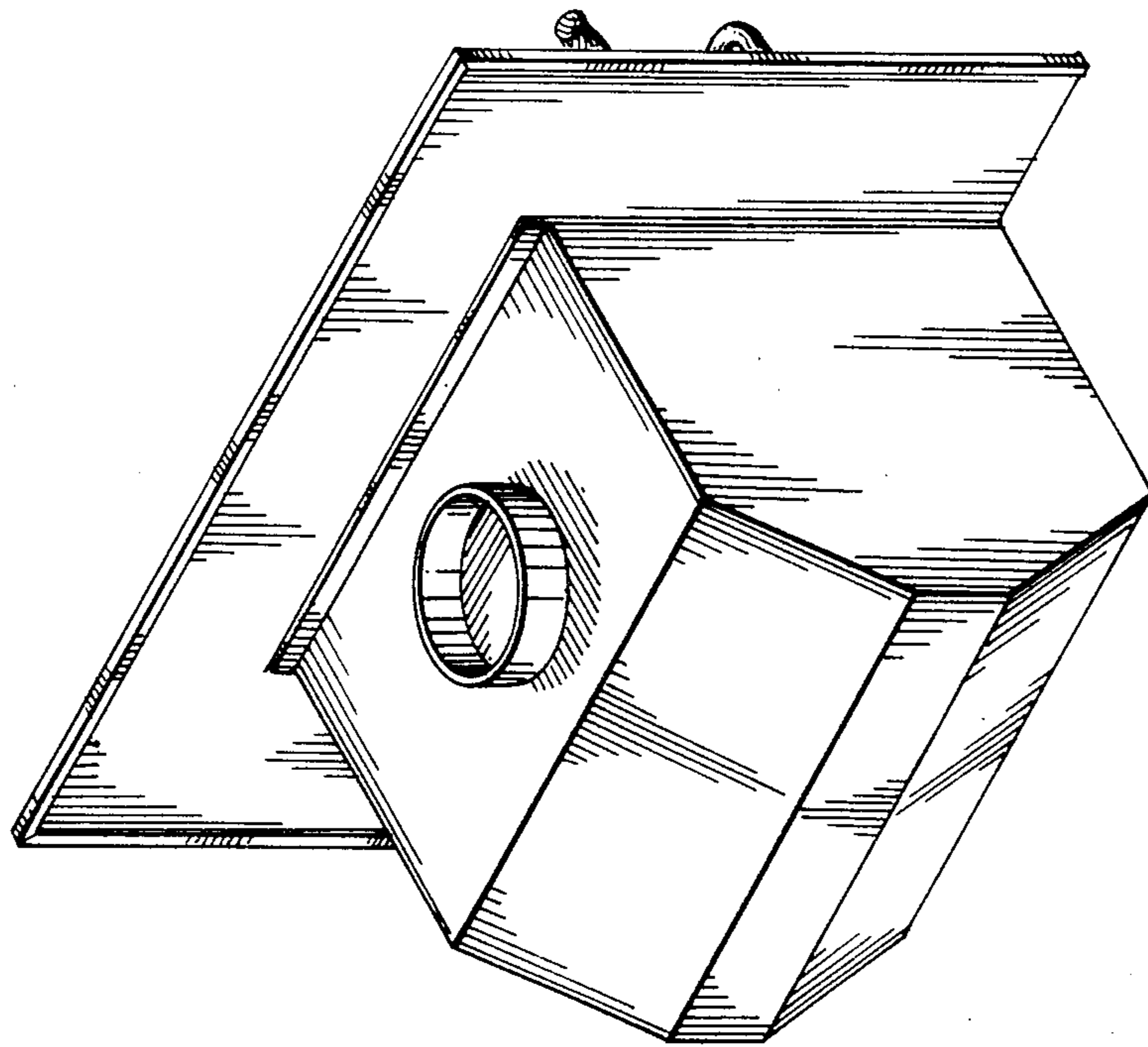


Fig. 8.

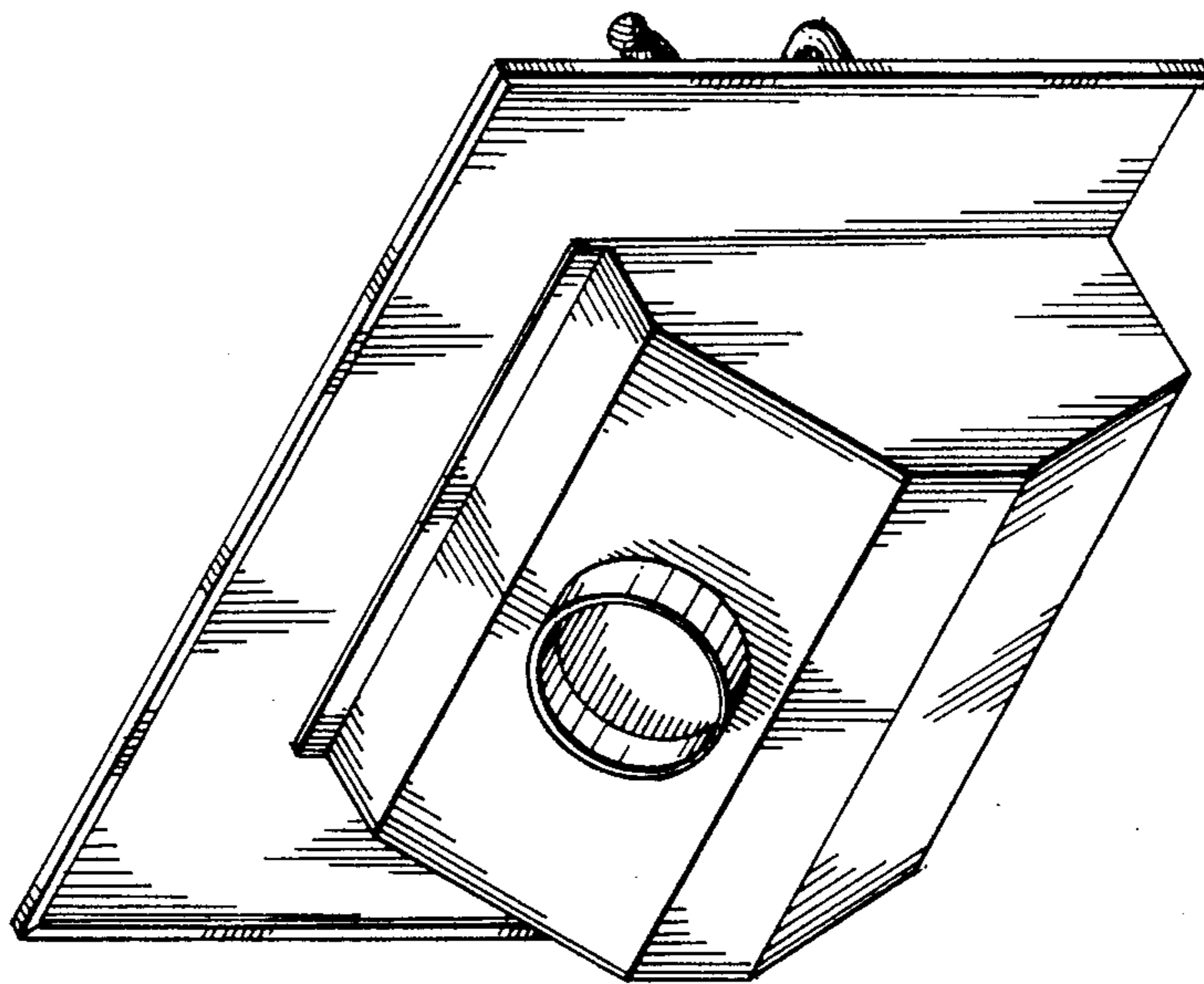


Fig. 7.