

[54] **PHYSICAL EXERCISE CHAIR**

[76] **Inventor: Jerry D. Brentham, 2121 Industrial Park Rd., Belton, Tex. 76513**

[**] **Term: 14 Years**

[21] **Appl. No.: 873,042**

[22] **Filed: May 27, 1986**

Related U.S. Application Data

[63] **Continuation of Ser. No. 614,294, May 25, 1984, abandoned.**

[52] **U.S. Cl. D21/195**

[58] **Field of Search D21/191-199; 272/67, 68, 69, 104, 111, 117, 118, 119, 134, 133, 141, 142, 143, 145**

[56] **References Cited**

U.S. PATENT DOCUMENTS

D. 251,320	3/1979	Brentham	D21/195
D. 263,978	4/1982	Brentham	D21/195
3,759,512	9/1973	Yount et al.	272/134
4,256,302	3/1981	Keiser et al.	272/134

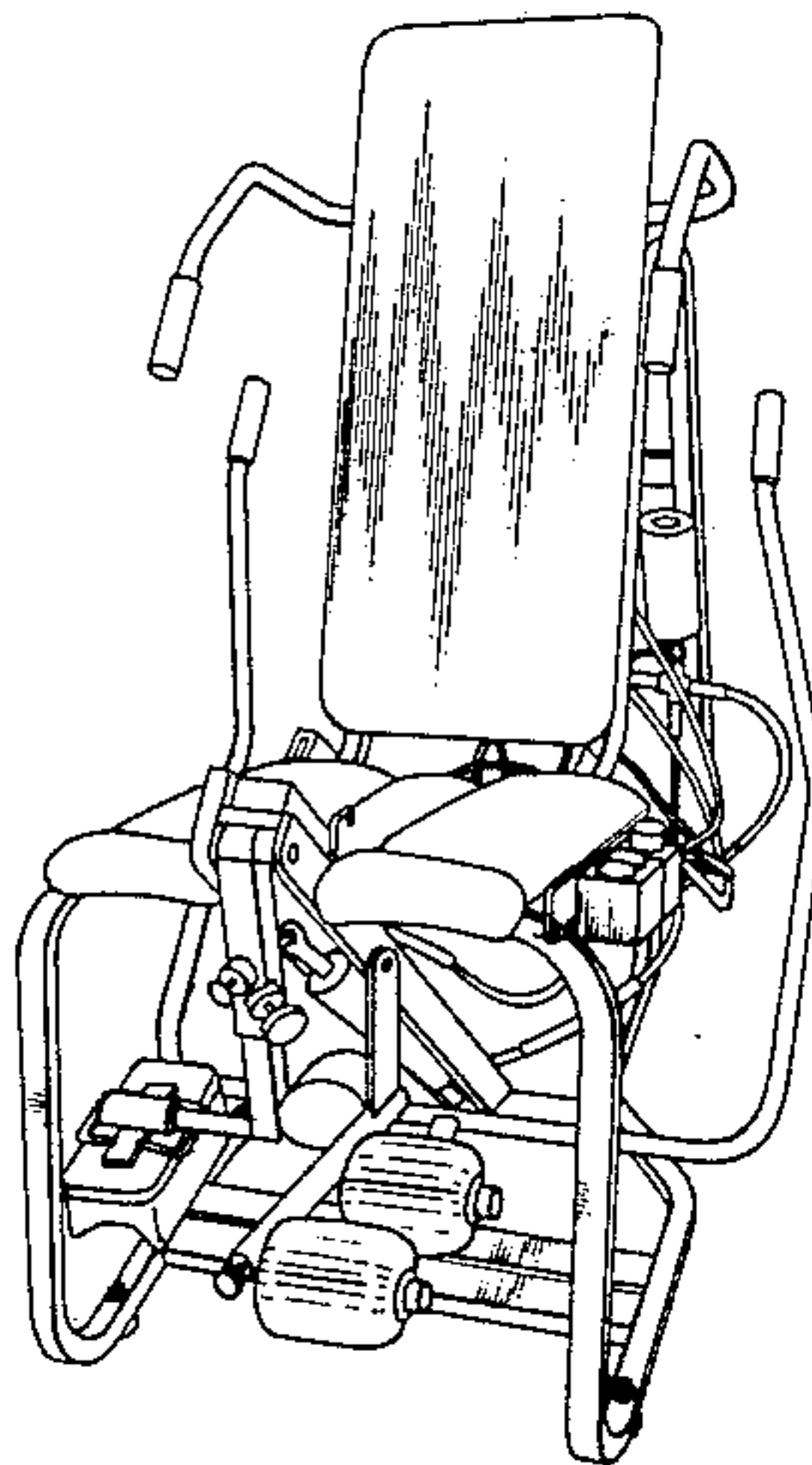
Primary Examiner—Charles A. Rademaker
Attorney, Agent, or Firm—Crutsinger & Booth

[57] **CLAIM**

The ornamental design for physical exercise chair, substantially as shown and described.

DESCRIPTION

FIG. 1 is a perspective view of the front and left side of a physical exercise chair showing my new design; FIG. 2 is a rear perspective view thereof; FIG. 3 is a left side perspective view thereof; and, FIG. 4 is an enlarged fragmentary perspective view of the leg support apparatus.



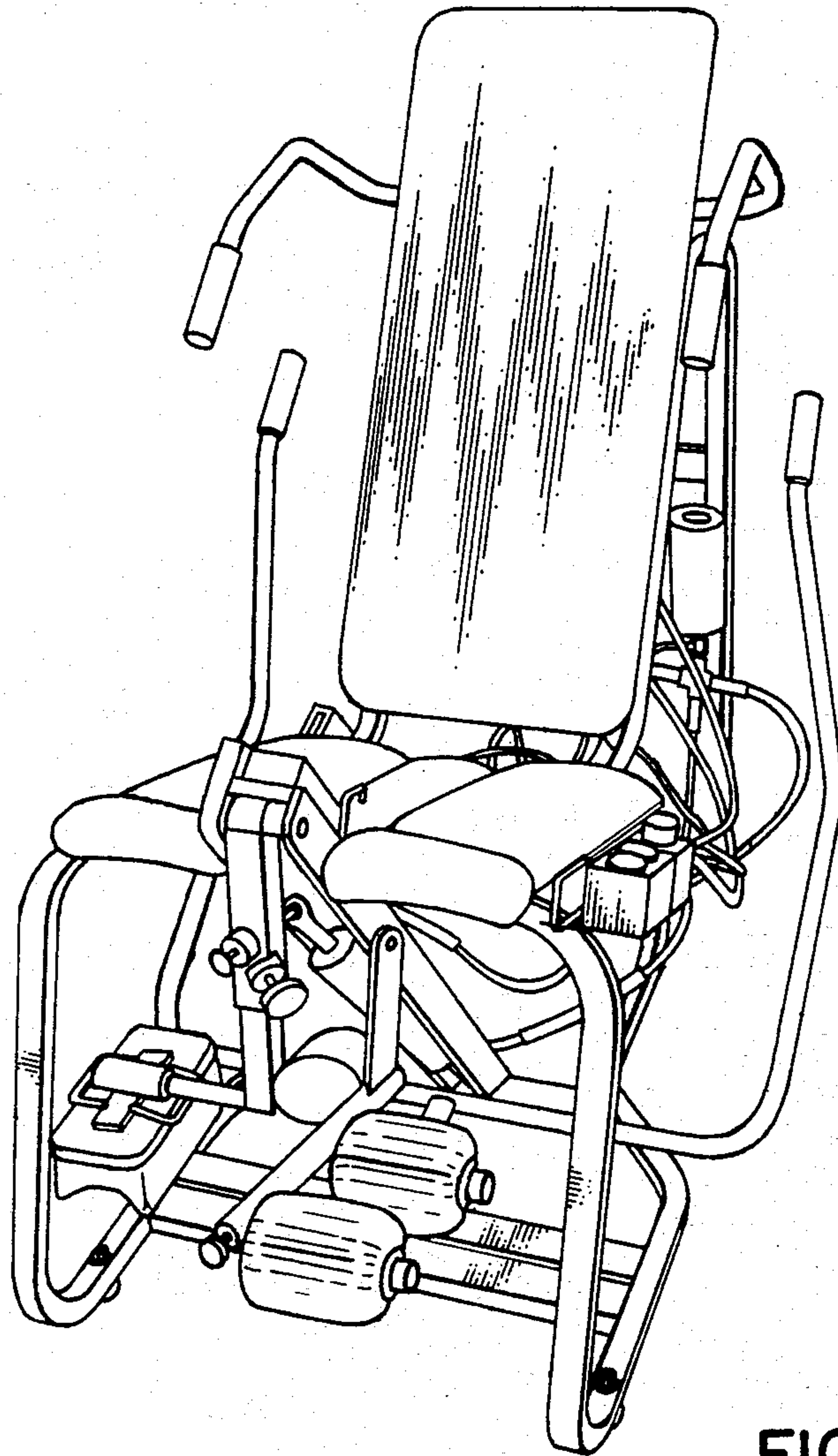


FIG. 1

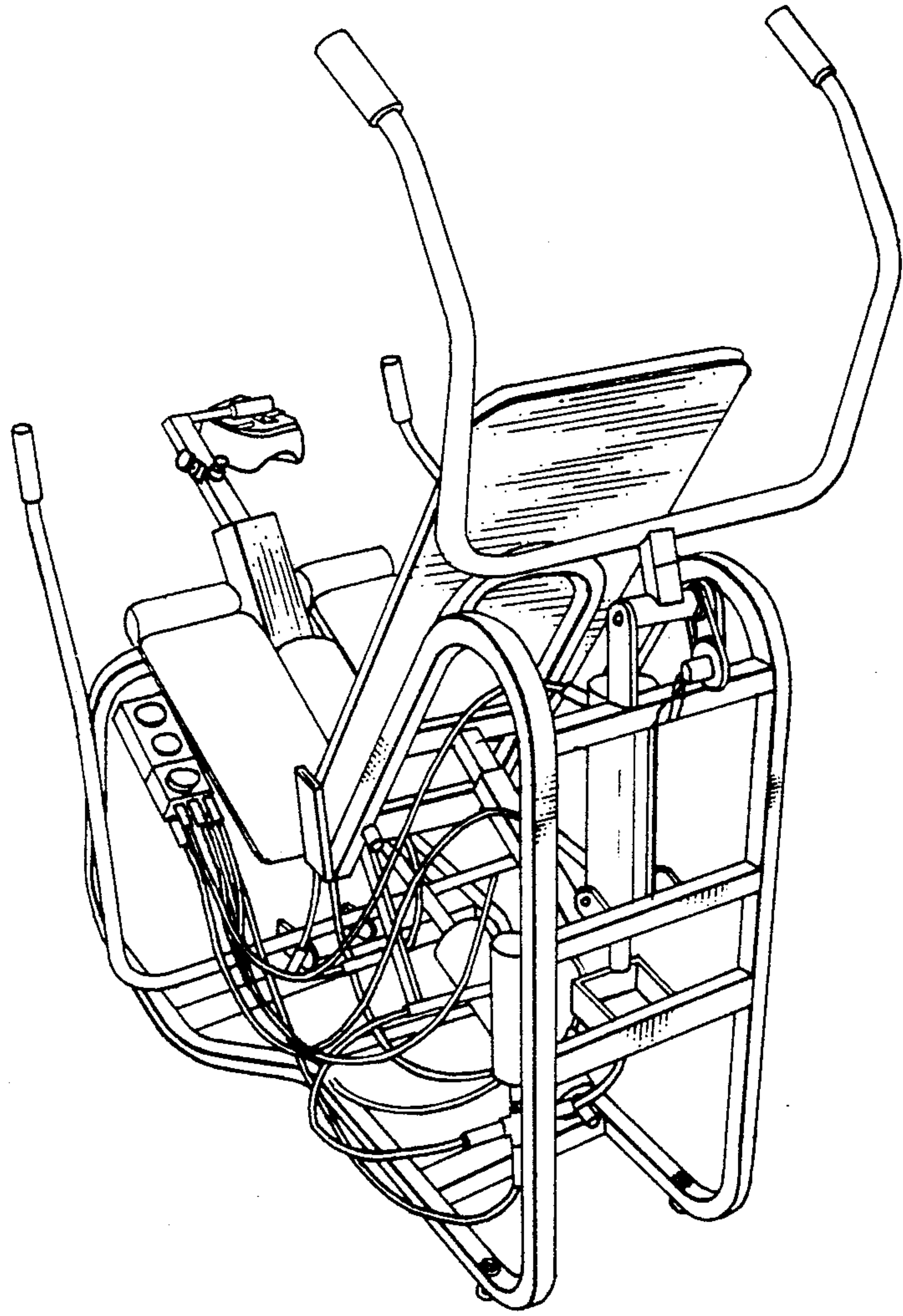


FIG. 2

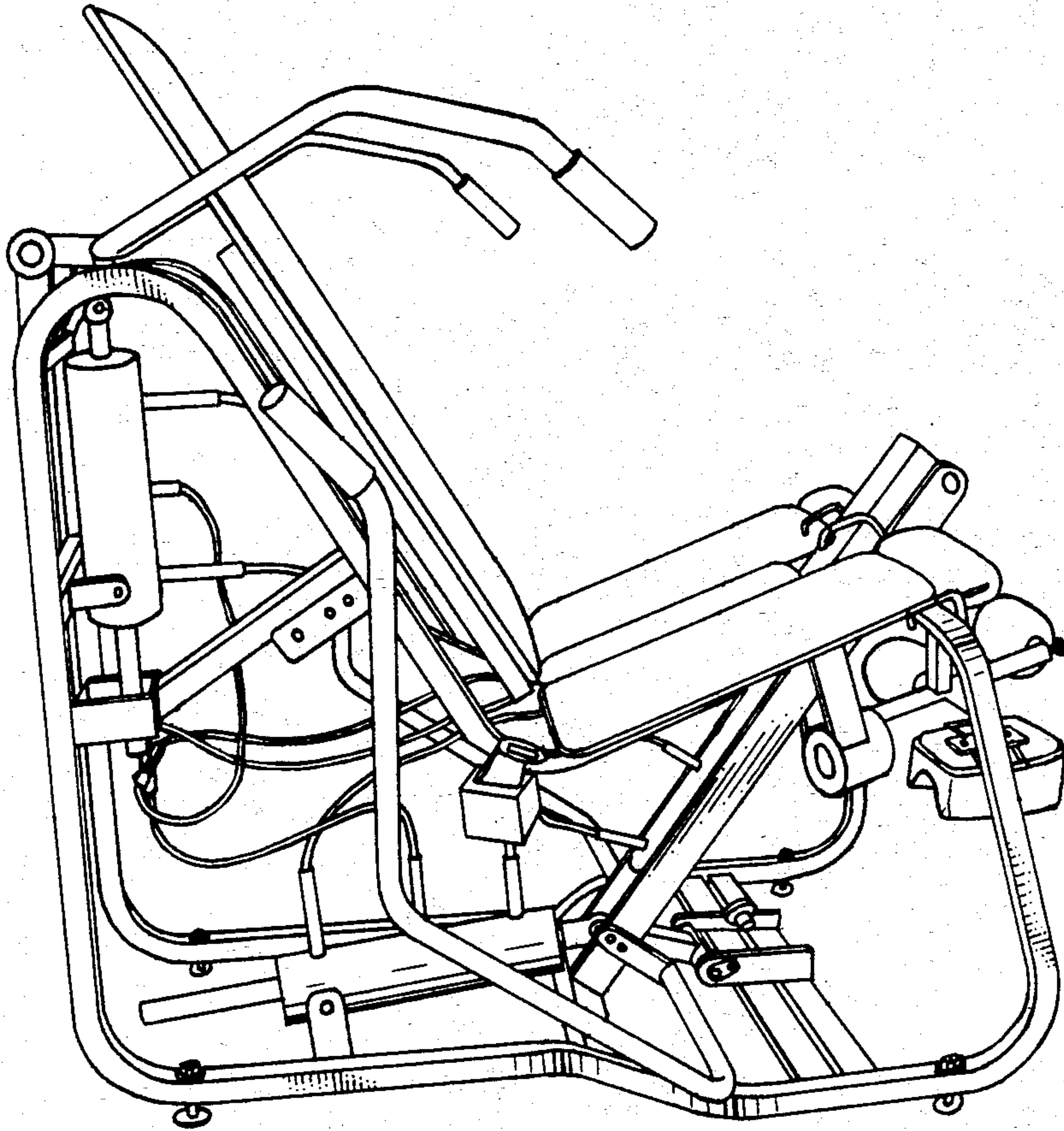


FIG. 3

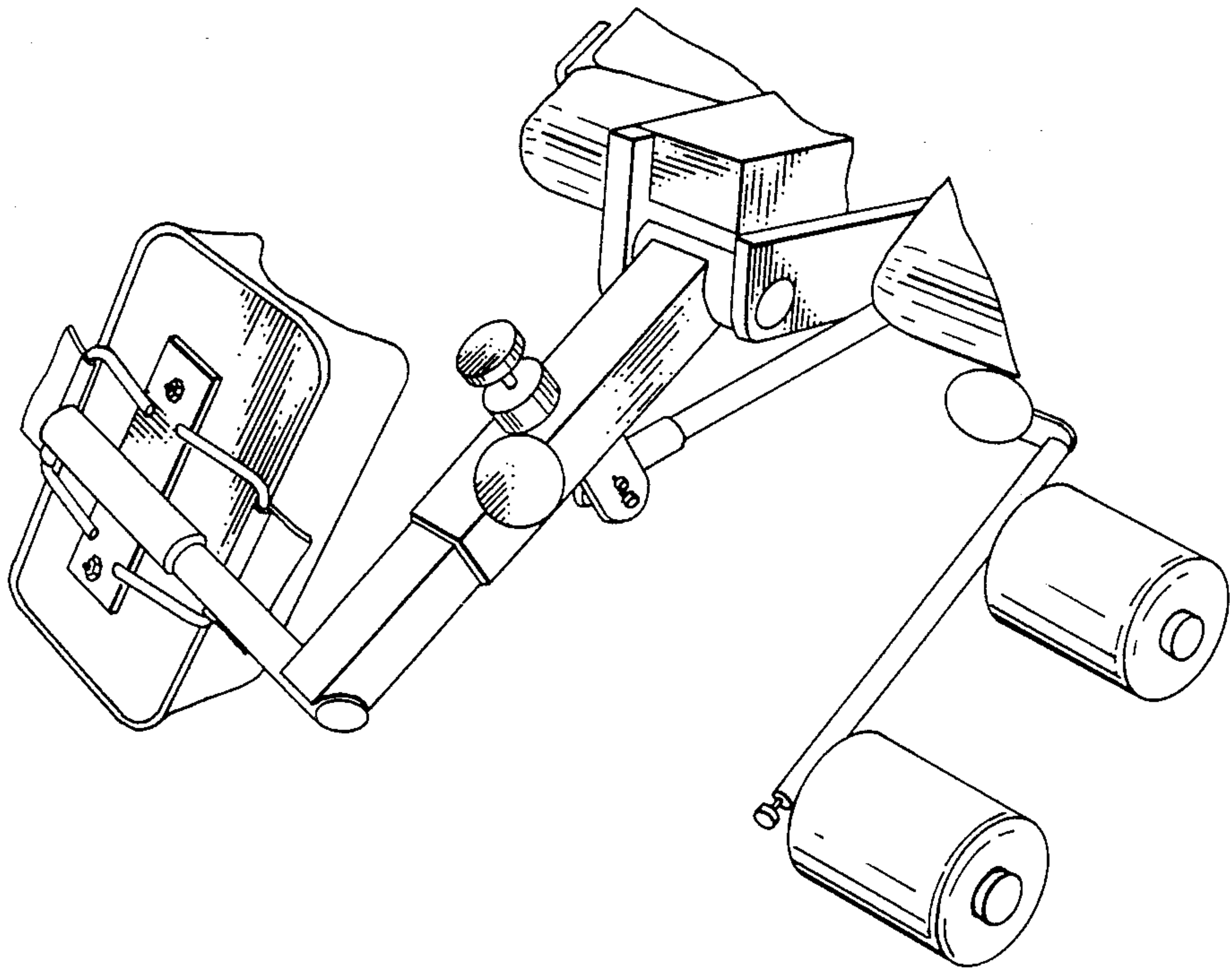


FIG. 4