

United States Patent [19]

Thomson et al.

[11] Patent Number: **Des. 289,186**

[45] Date of Patent: **** Apr. 7, 1987**

[54] TOY PAIL

[75] Inventors: **Harry S. Thomson, Richmond; David M. Raffo; John A. Pape**, both of Hitchin, all of England

[73] Assignee: **Hestair Kiddicraft Limited, England**

[**] Term: **14 Years**

[21] Appl. No.: **702,668**

[22] Filed: **Feb. 19, 1985**

[30] **Foreign Application Priority Data**

Jan. 14, 1985 [GB] United Kingdom 1024390
[52] U.S. Cl. **D21/109; D32/53**
[58] Field of Search **D21/120, 59; 434/260; 446/69, 70, 73, 74, 76, 77; D32/53**

[56]

References Cited

U.S. PATENT DOCUMENTS

D. 107,093 11/1937 Rideout D32/53
D. 217,019 3/1970 Churan D32/53
D. 261,541 10/1981 Appel et al. D21/120
3,434,232 3/1969 Tarrson 446/70

Primary Examiner—Charles A. Rademaker
Attorney, Agent, or Firm—McCormick, Paulding & Huber

[57]

CLAIM

The ornamental design for a toy pail, as shown and described.

DESCRIPTION

FIG. 1 is a front elevational view of a toy pail showing my new design;
FIG. 2 is a rear elevational view thereof;
FIG. 3 is a side elevational view thereof, the side opposite being a mirror image;
FIG. 4 is a top plan view thereof; and
FIG. 5 is a bottom plan view thereof.

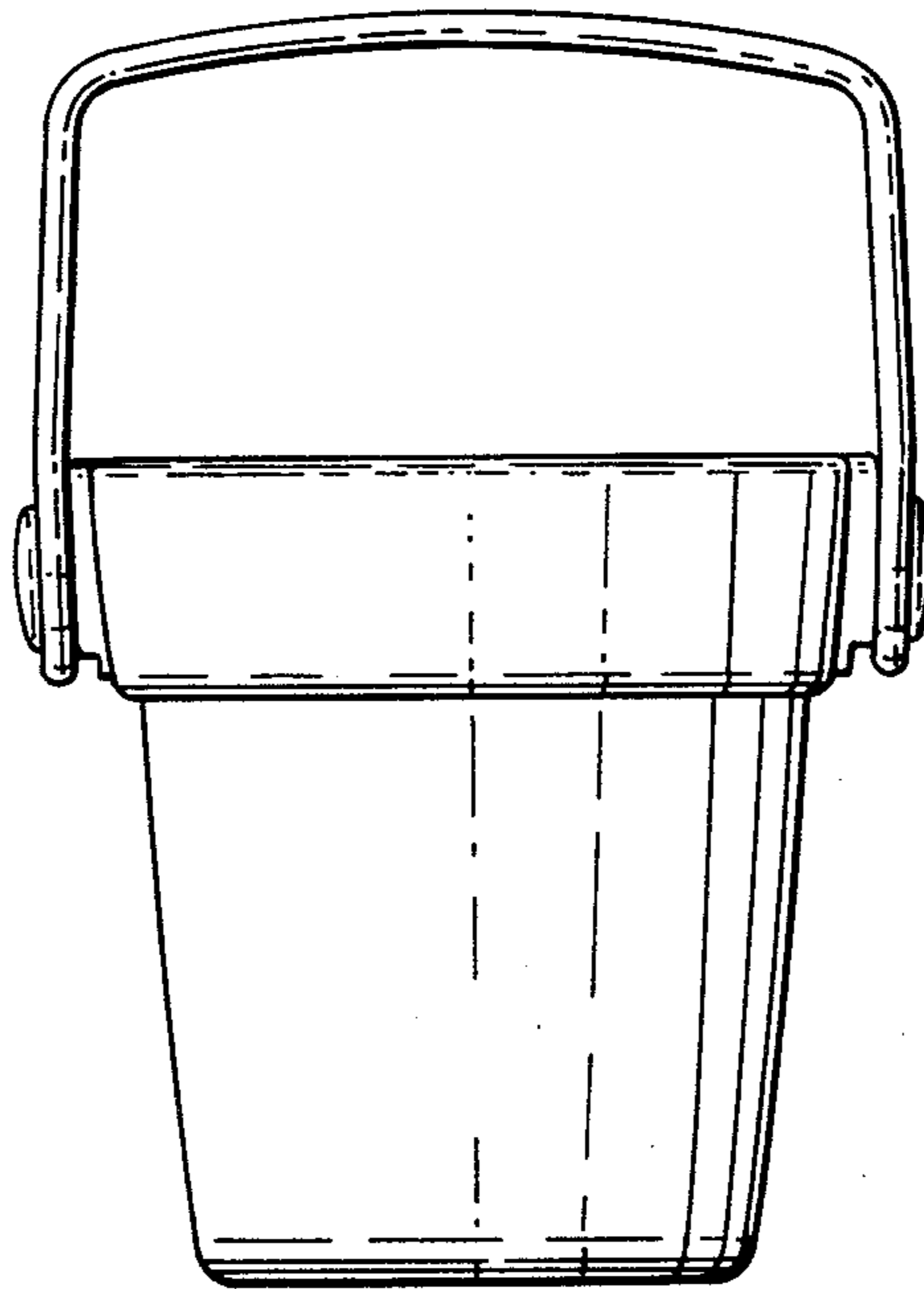


Fig. 1.

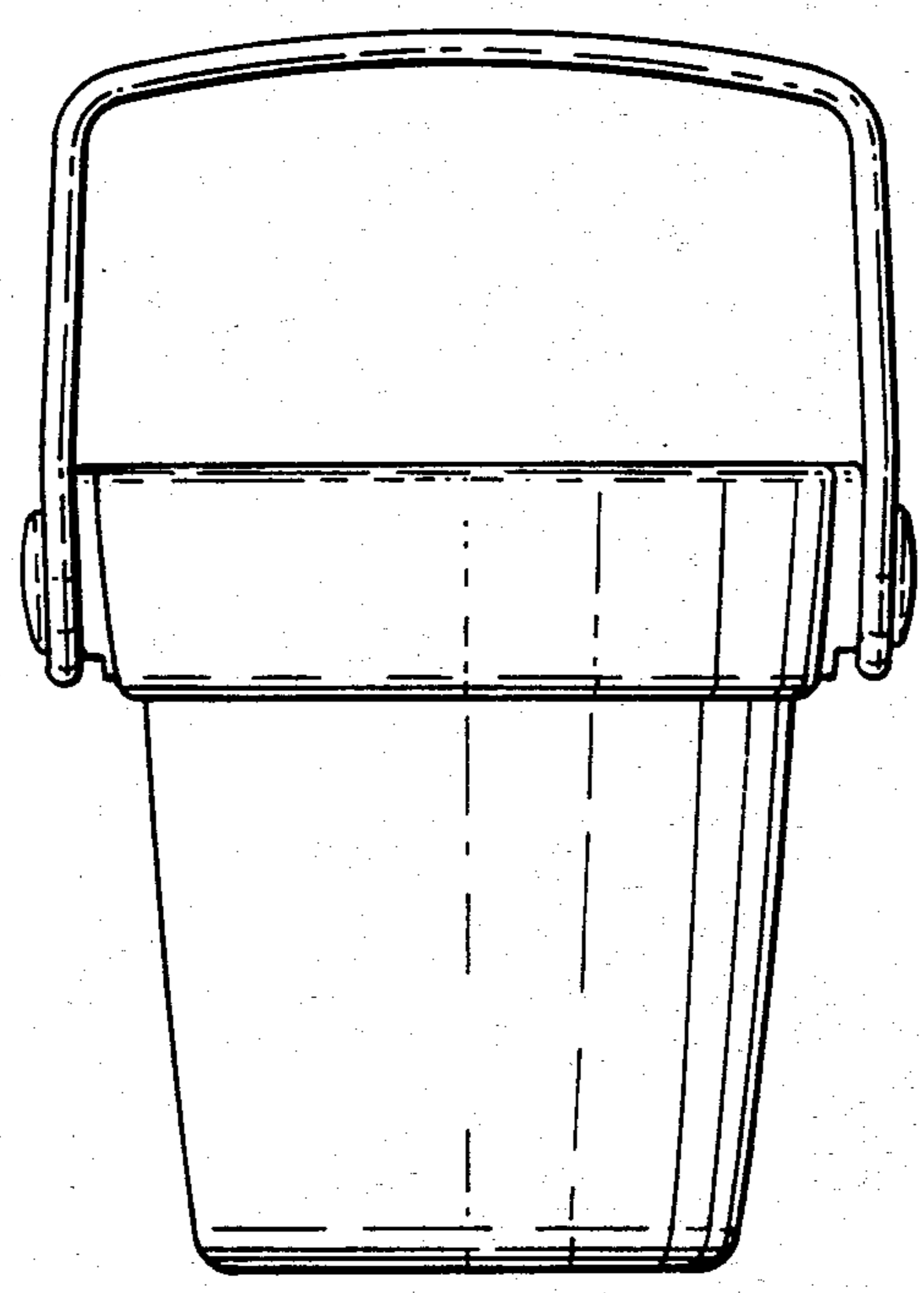


Fig. 2.

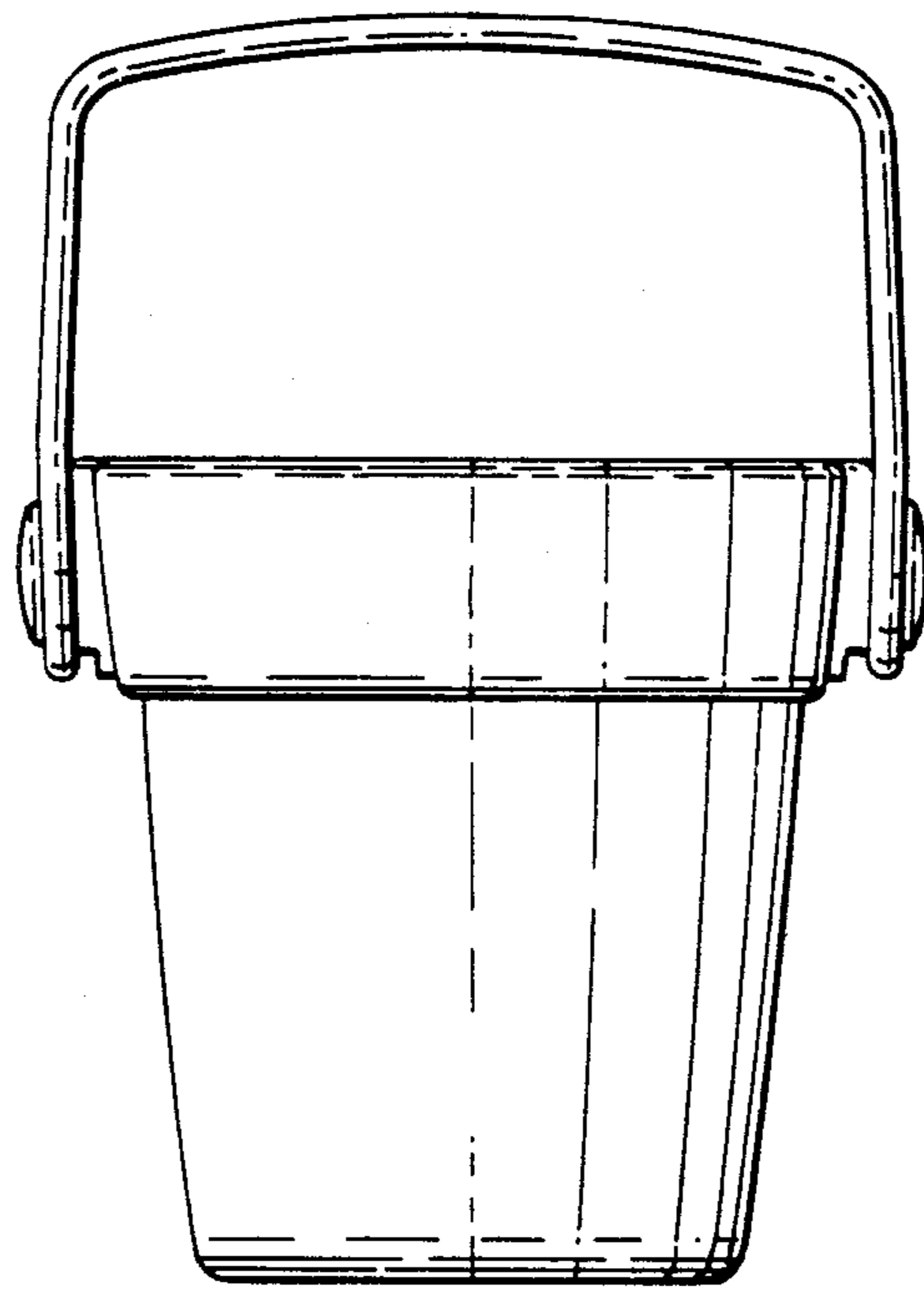


Fig. 3.

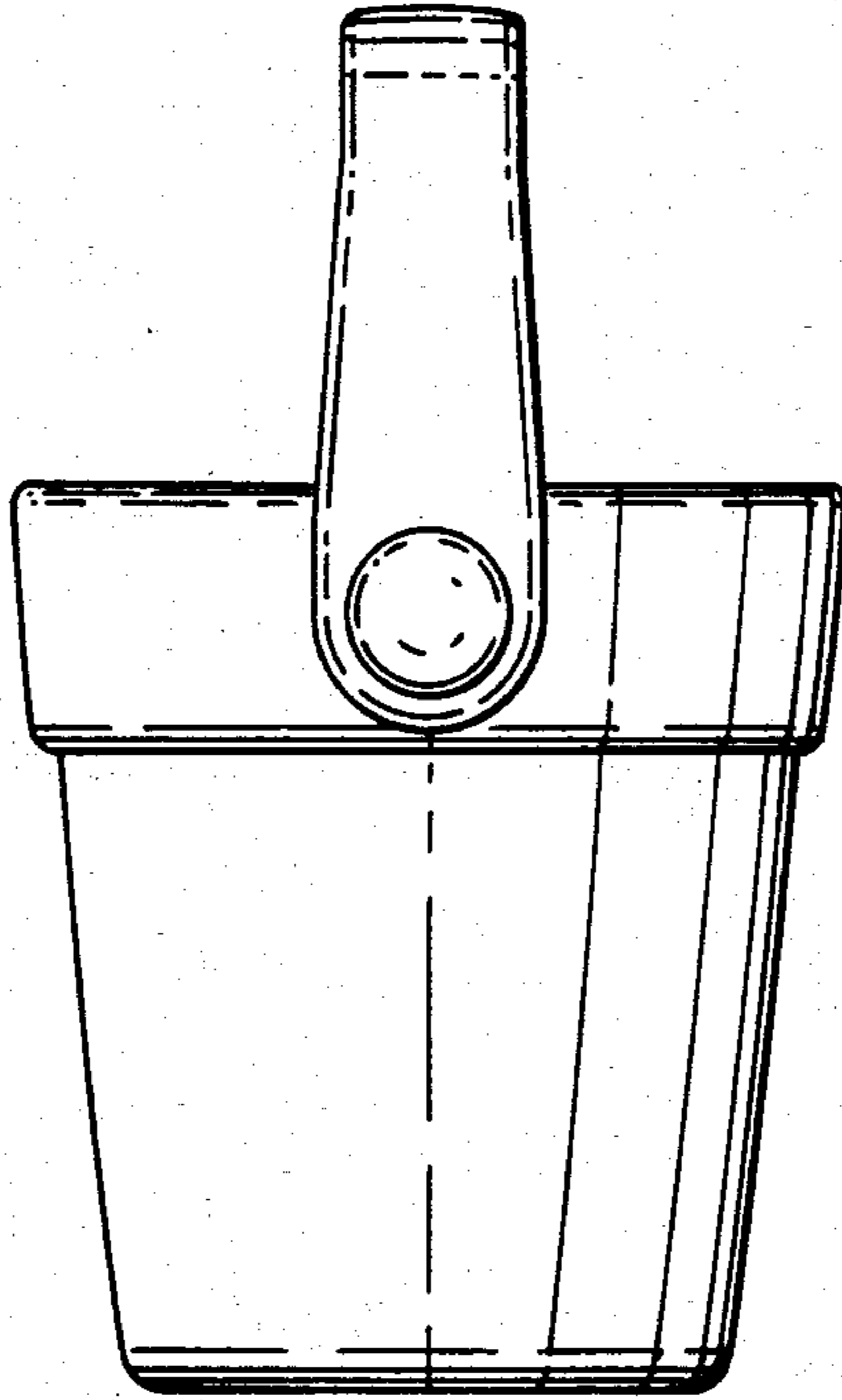


Fig. 4.

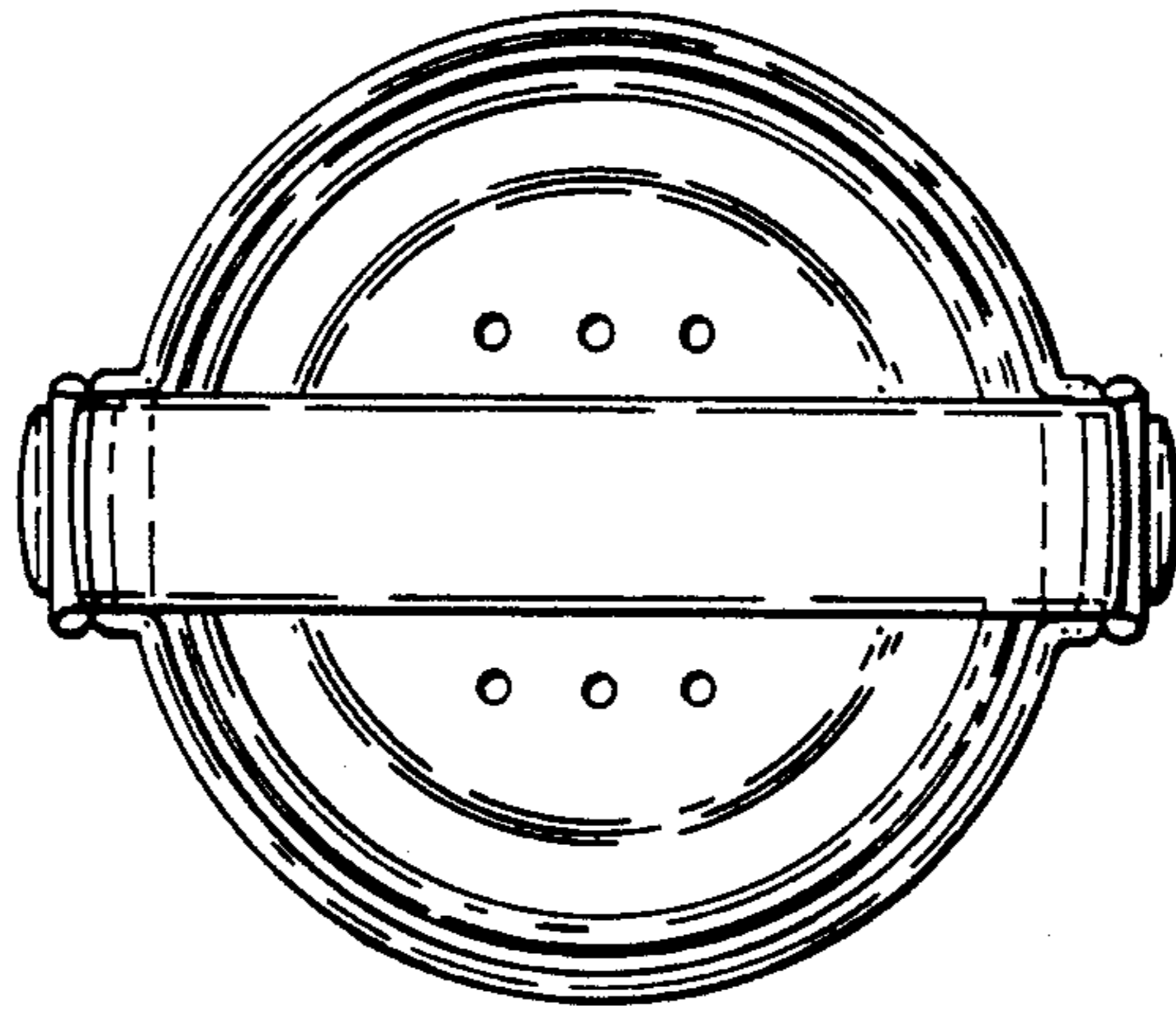


Fig. 5.

