

[54] MARCHING BAND TEACHING-SOUND SYSTEM CASE

[75] Inventor: Donald O. Musgrave, Lake Jackson, Tex.

[73] Assignee: Megasound, Inc., Lake Jackson, Tex.

[**] Term: 14 Years

[21] Appl. No.: 629,610

[22] Filed: Jul. 11, 1984

[52] U.S. Cl. D19/59; D14/33

[58] Field of Search D19/59, 60, 62, 63, D19/64; D14/1, 5, 30, 32-34; 84/470 R, 478; 381/56, 57, 82, 91; 181/148, 151, 198, 153-157, 199; 179/146 E, 181 R

[56] References Cited

U.S. PATENT DOCUMENTS

- D. 144,202 3/1946 Loge D14/33
- D. 193,395 10/1962 Neil et al. D14/33
- D. 227,486 6/1973 French et al. D14/1

- D. 282,646 2/1986 Blamberg D14/33
- 3,183,305 5/1965 Jespersen D14/33 X

Primary Examiner—Louis S. Zarfaz
Attorney, Agent, or Firm—Pravel, Gambrell, Hewitt & Kimball

[57] CLAIM

The ornamental design for a marching band teaching-sound system case, as shown and described.

DESCRIPTION

FIG. 1 is a front perspective view of a marching band teaching-sound system case showing my new design; FIG. 2 is a front elevational view thereof; FIG. 3 is a top plan view thereof; FIG. 4 is a left side elevational view thereof; FIG. 5 is a right side elevational view thereof; FIG. 6 is a rear elevational view thereof; FIG. 7 is a rear perspective view of the case with the rear cover open; FIG. 8 is a rear elevational view thereof; and FIG. 9 is a left side elevational view thereof.

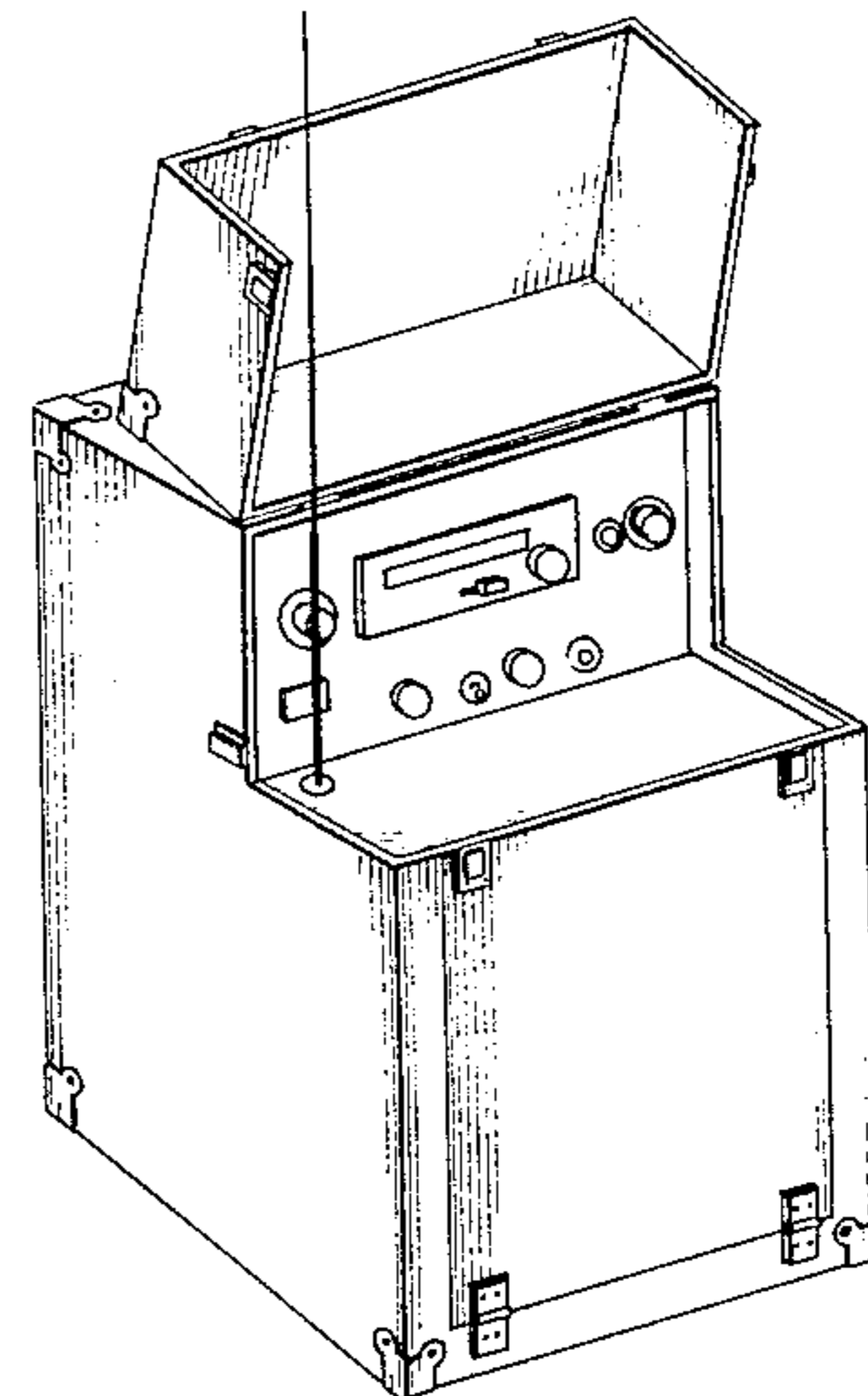
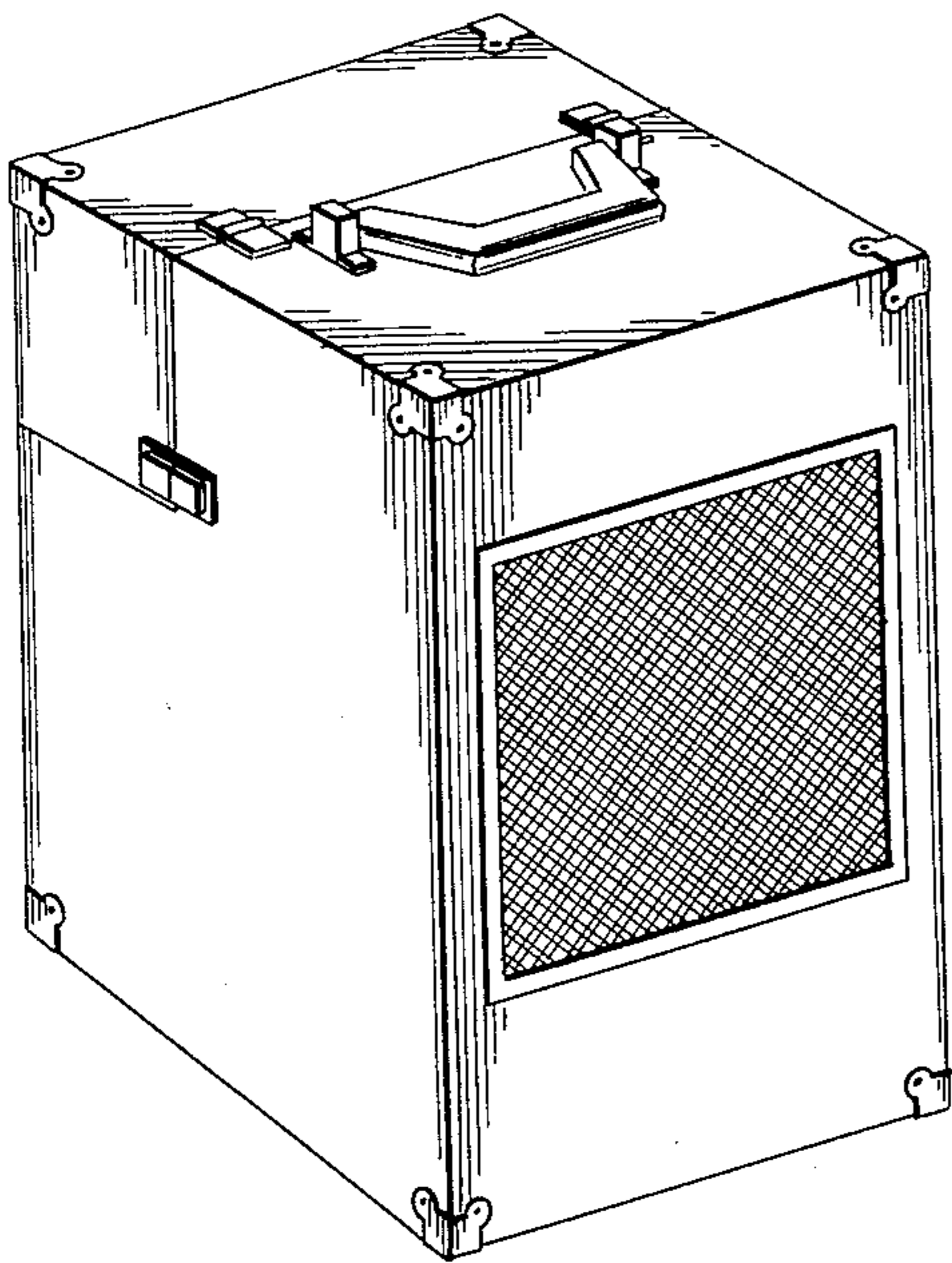


FIG. 1

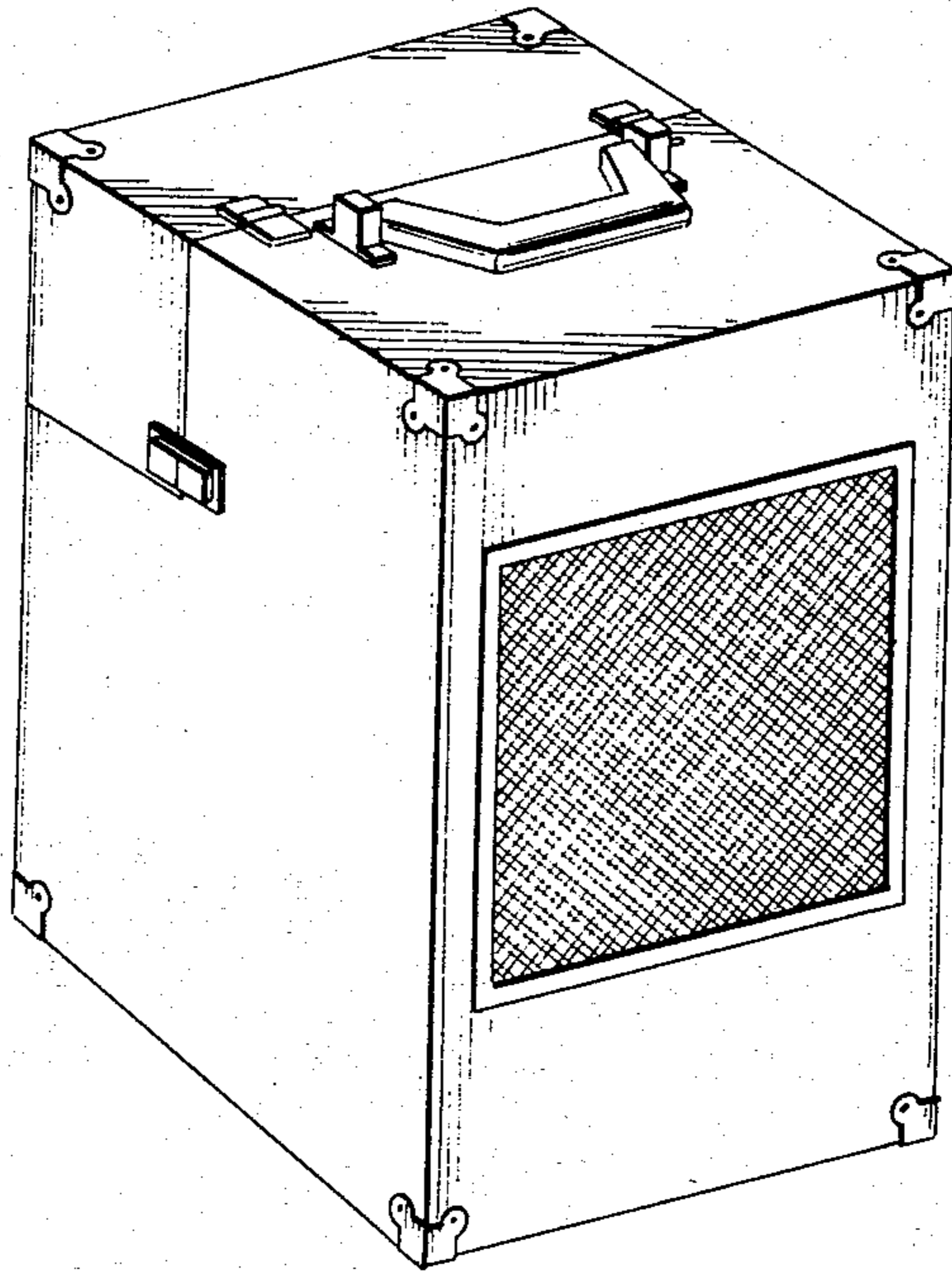


FIG. 3

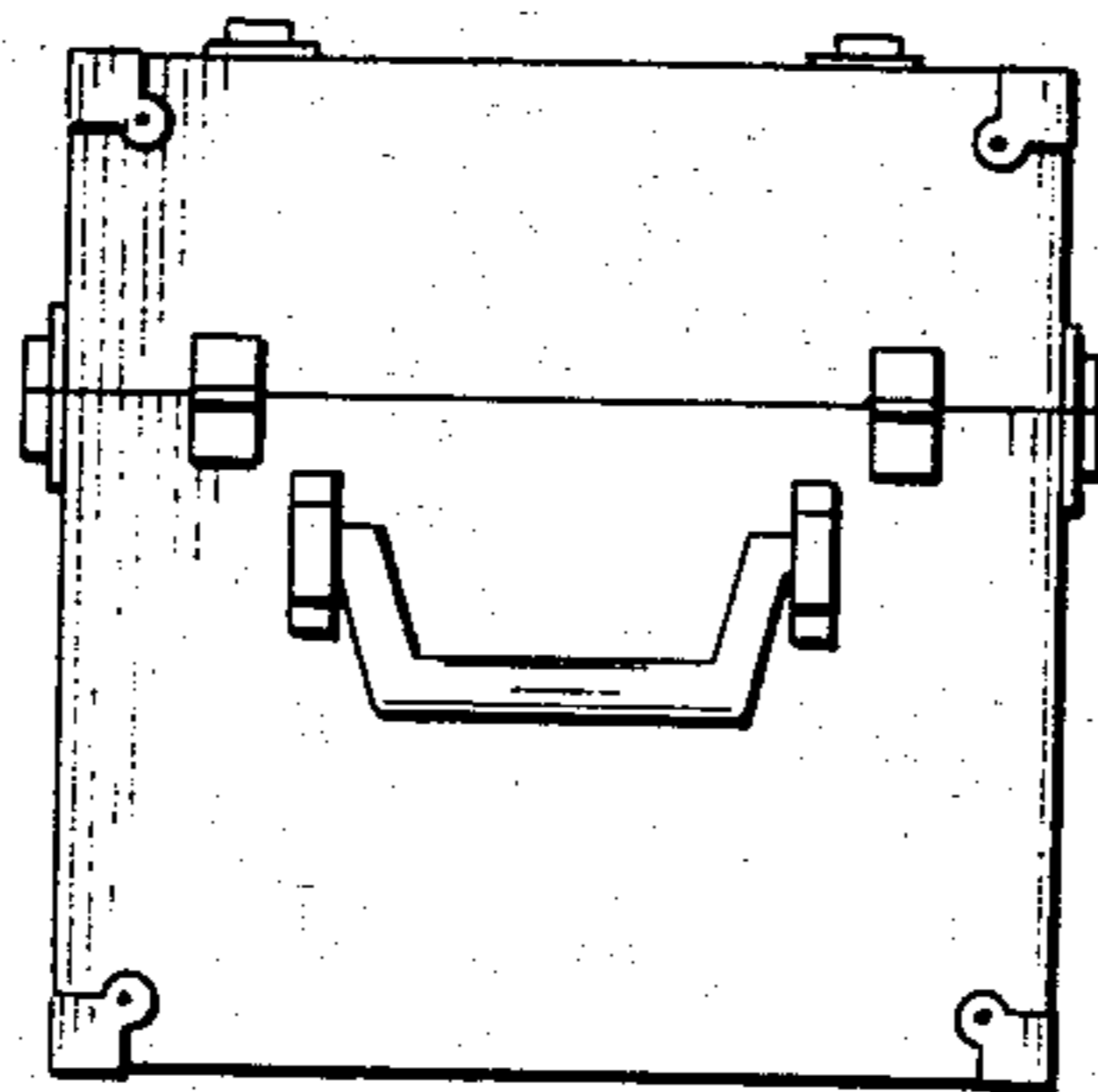


FIG. 4

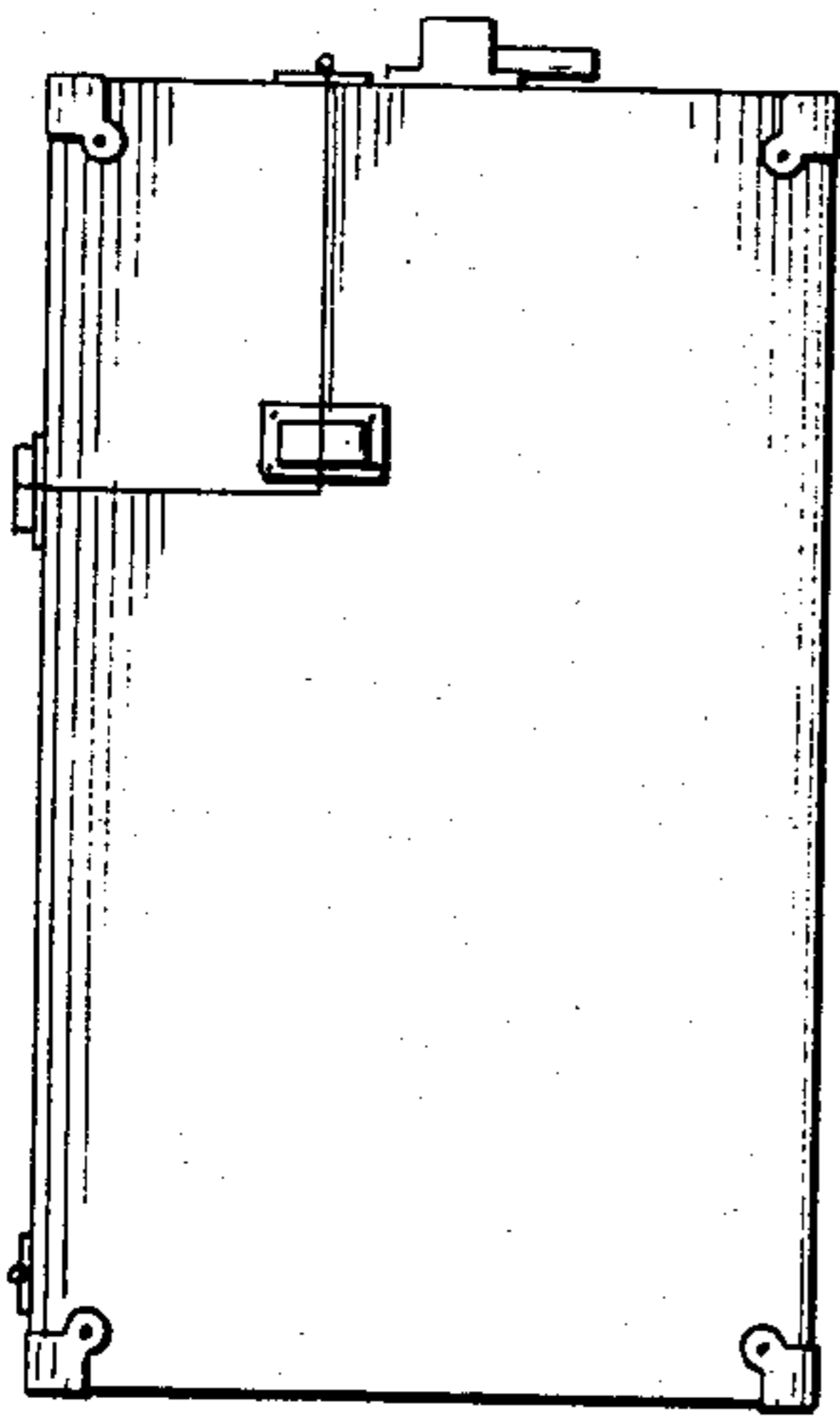


FIG. 5

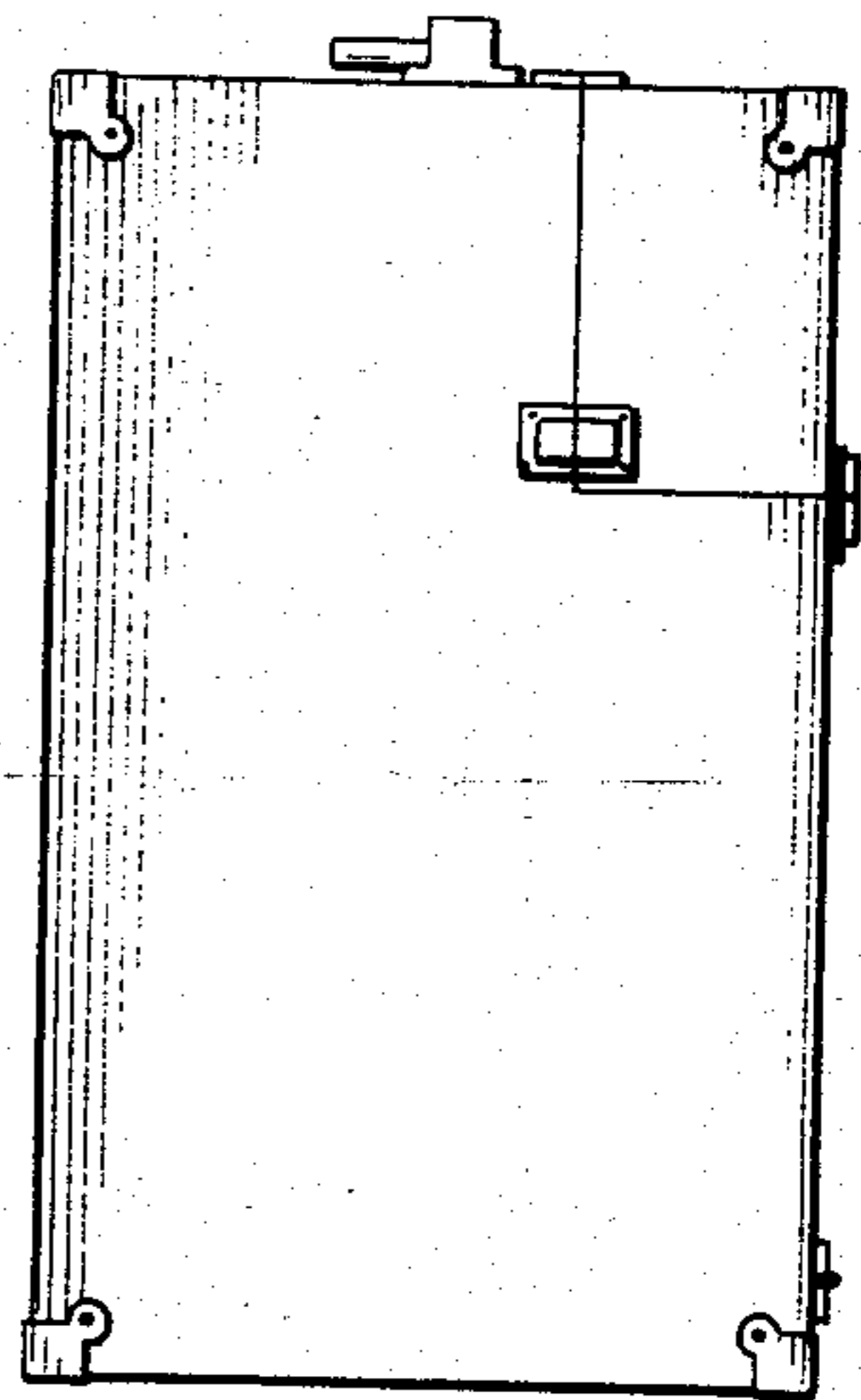
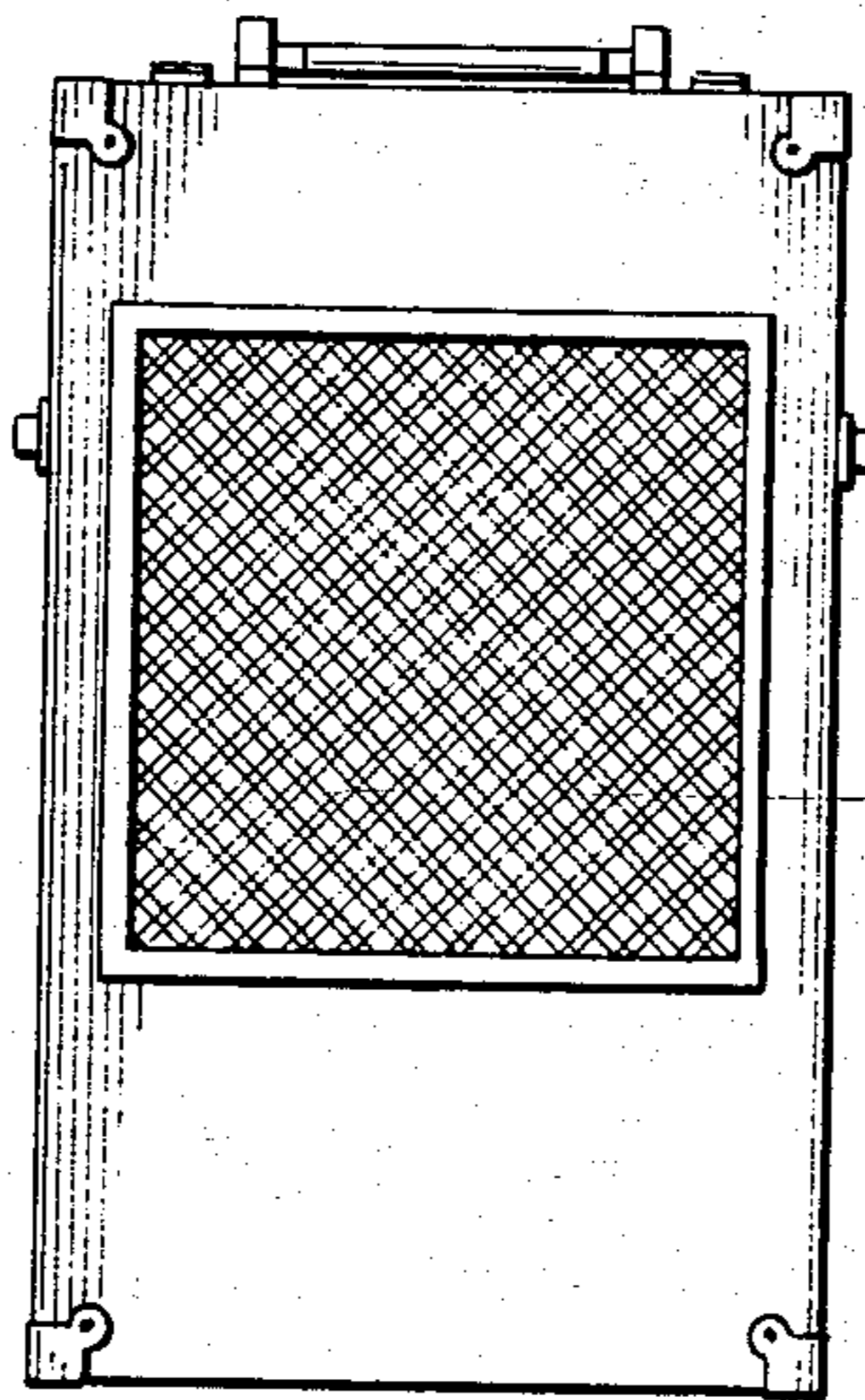


FIG. 2



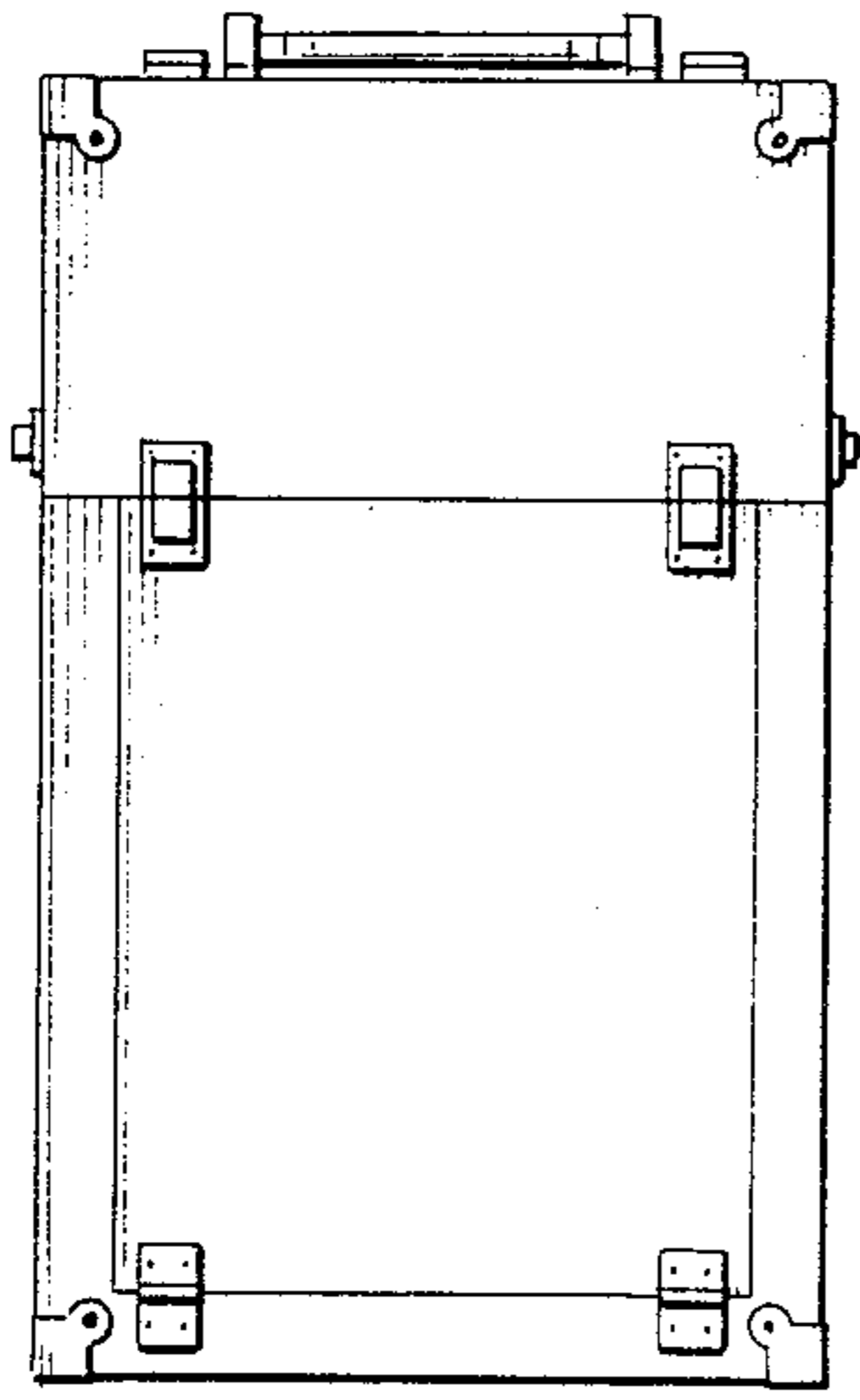


FIG. 6

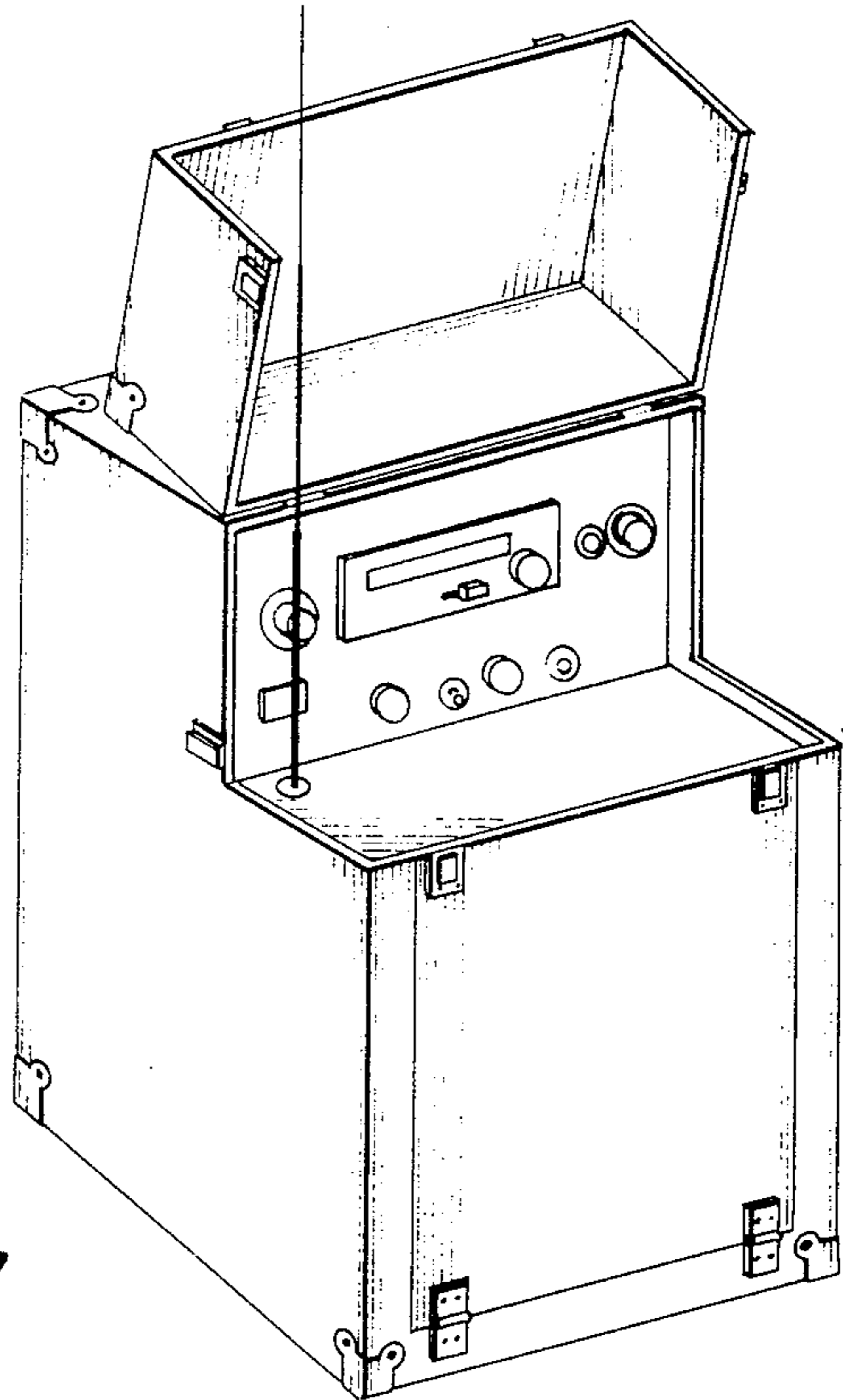


FIG. 7

FIG. 8

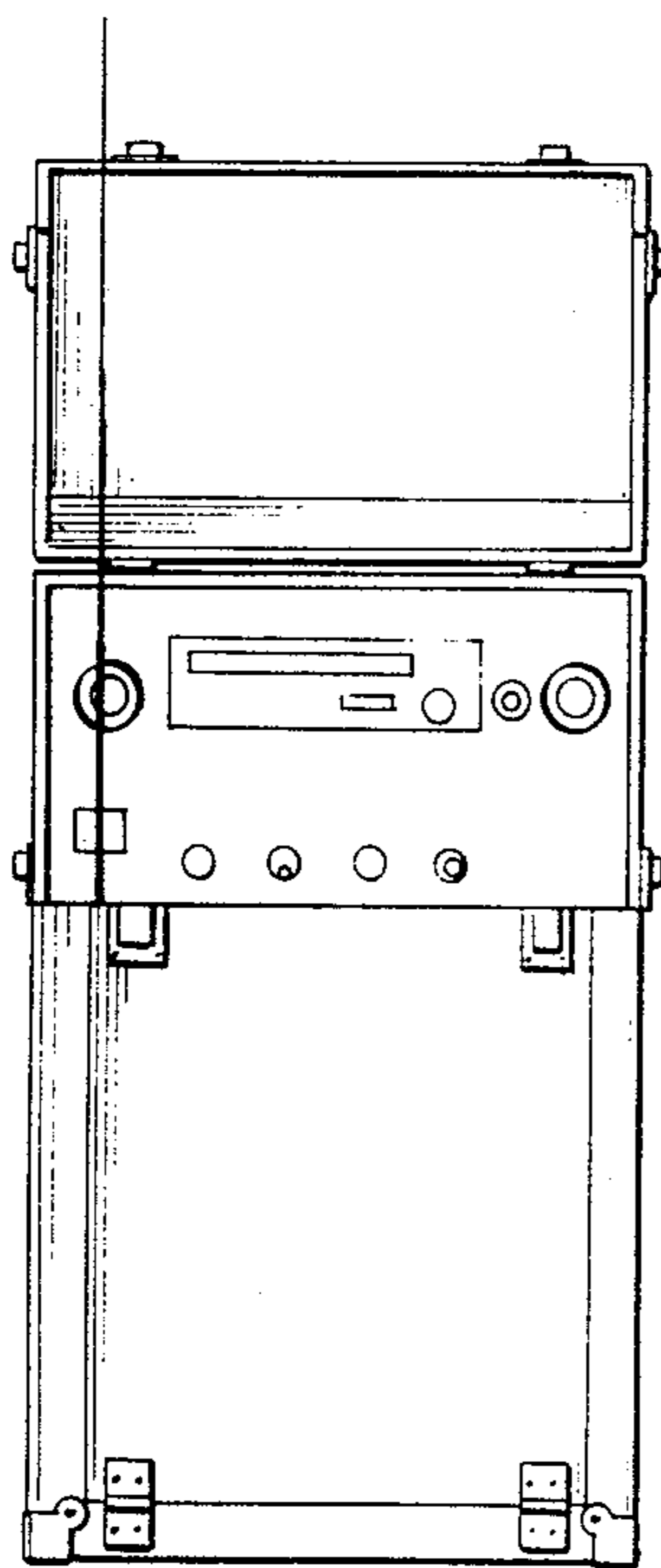


FIG. 9

