

[54] ELECTRONIC CALCULATOR

[75] Inventor: Masaji Sawada, Osaka, Japan

[73] Assignee: Sharp Corporation, Osaka, Japan

[**] Term: 14 Years

[21] Appl. No.: 662,720

[22] Filed: Oct. 19, 1984

[30] Foreign Application Priority Data

Apr. 19, 1984 [JP] Japan 59-16027

[52] U.S. Cl. D18/7

[58] Field of Search D18/2, 6-8,
D18/11-13, 22; D14/11, 113, 100, 111;
364/706-710

[56] References Cited

U.S. PATENT DOCUMENTS

- D. 278,340 4/1985 Enomoto D14/100
- D. 279,106 6/1985 Sawada et al. D18/7
- D. 282,082 1/1986 Morishita D18/13
- 4,497,036 1/1985 Dunn 364/708

OTHER PUBLICATIONS

The Office, 7/1983, p. 156-Sharp PC-5000 at top right.

Merchandising, 10/1983, p. 46-Sharp PC-5000 at top right & Gavilan Mobile Computer at top left.

Primary Examiner—Louis S. Zarfes
Attorney, Agent, or Firm—Flehr, Hohbach, Test,
Albritton & Herbert

[57] CLAIM

The ornamental design for an electronic calculator, as shown and described.

DESCRIPTION

FIG. 1 is a perspective view of the electronic calculator showing my new design with the keyboard cover and display open;

FIG. 2 is a perspective view thereof with the cover closed;

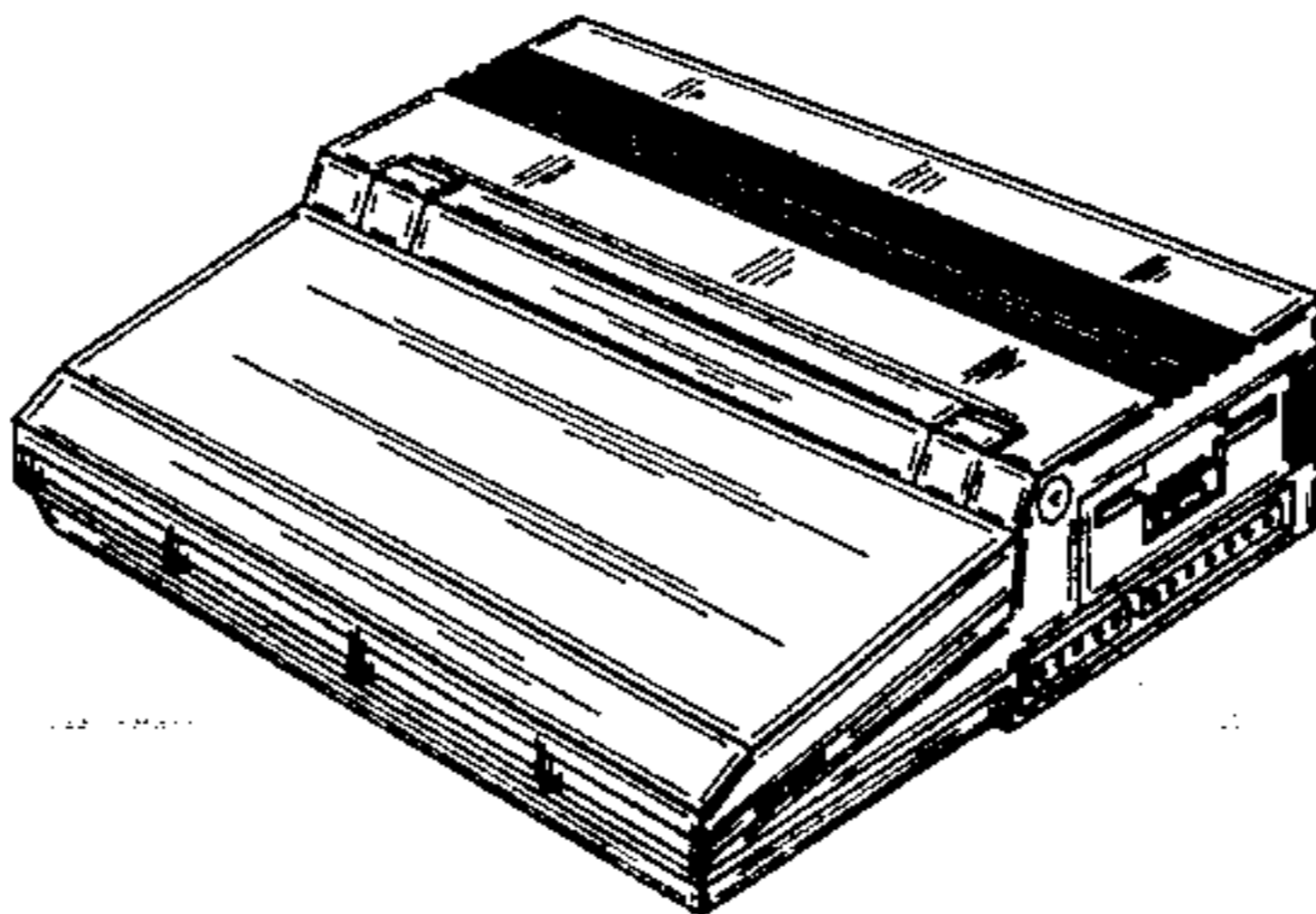
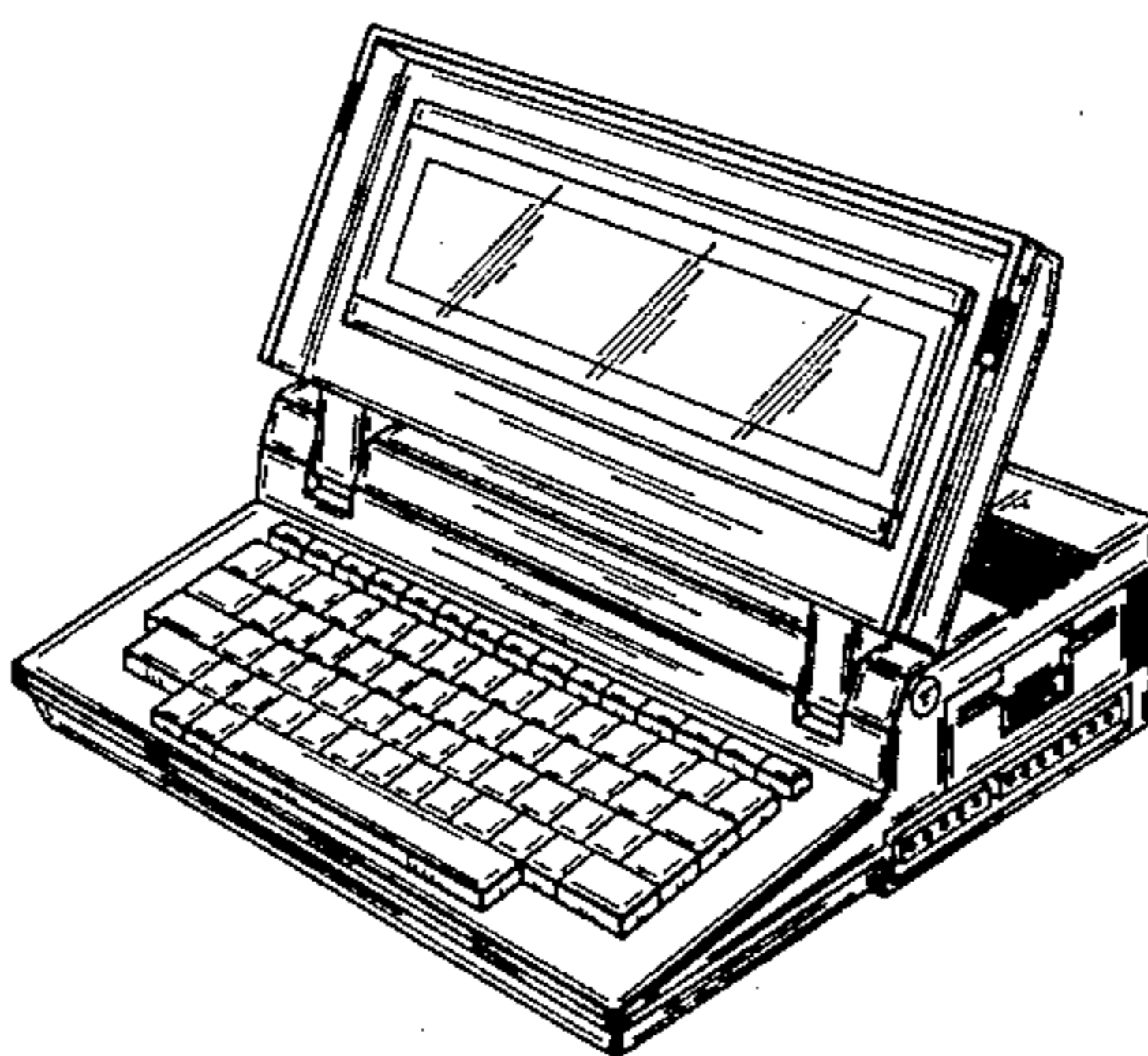
FIG. 3 is a front elevational view thereof with the cover closed;

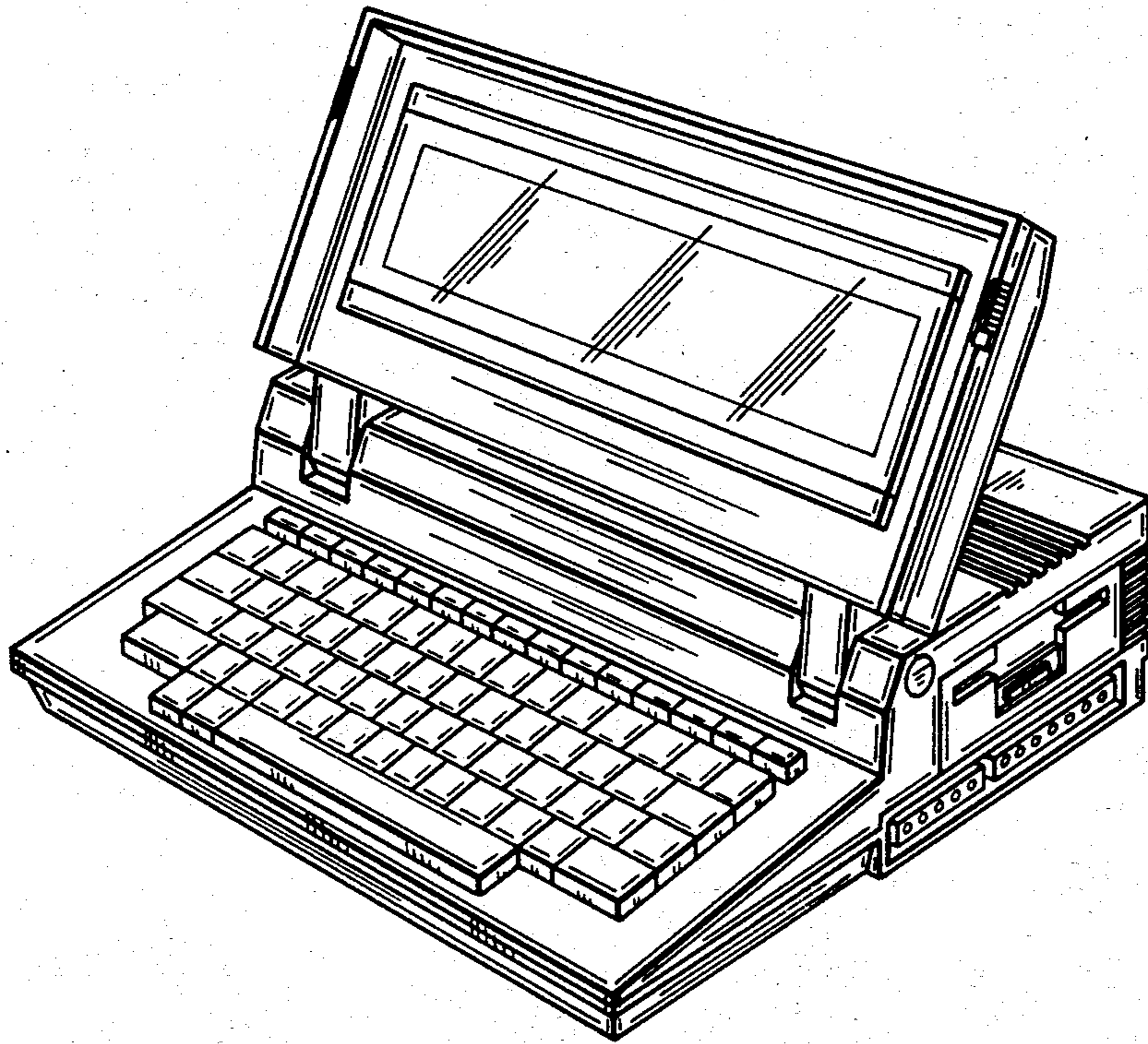
FIG. 4 is a rear elevational view thereof with the cover closed;

FIG. 5 is a right side elevational view thereof with the cover closed;

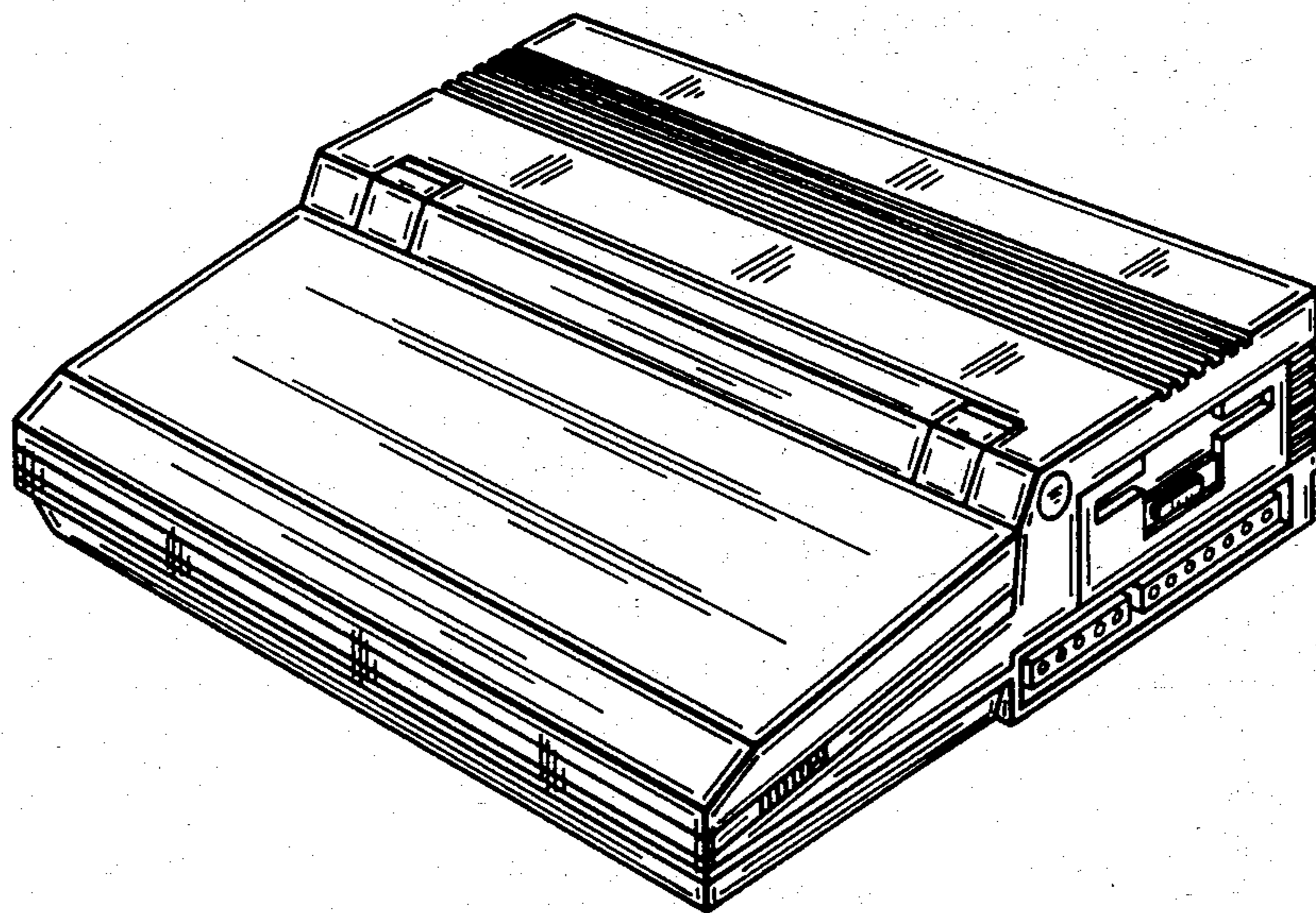
FIG. 6 is a left side elevational view thereof with the cover closed;

FIG. 7 is a plan view thereof with the cover closed; and FIG. 8 is a bottom view thereof.

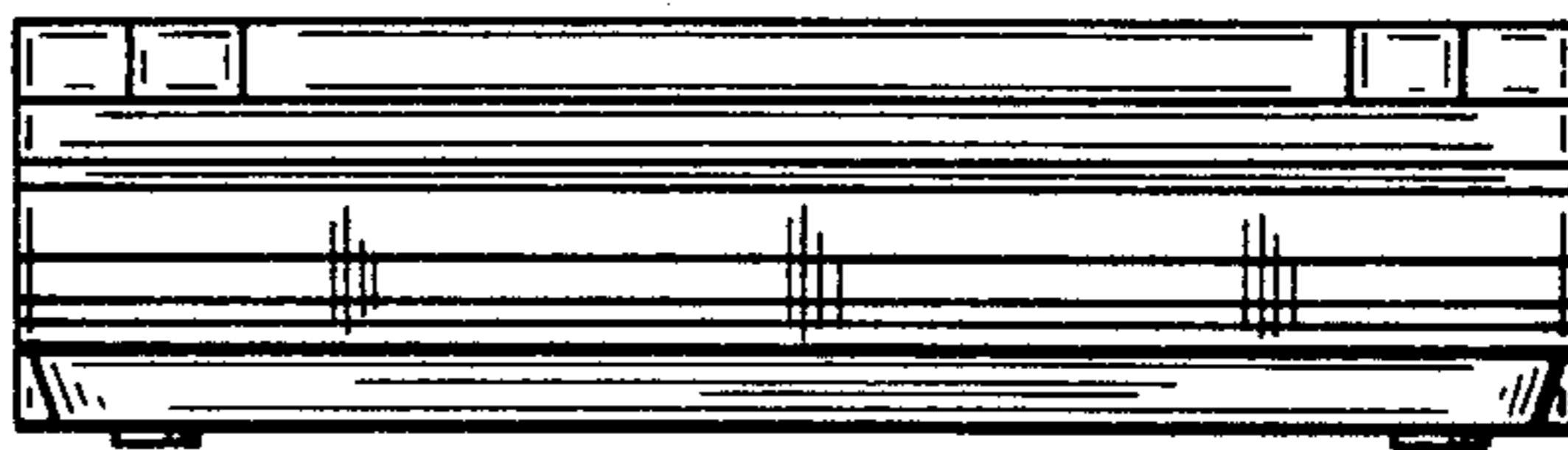




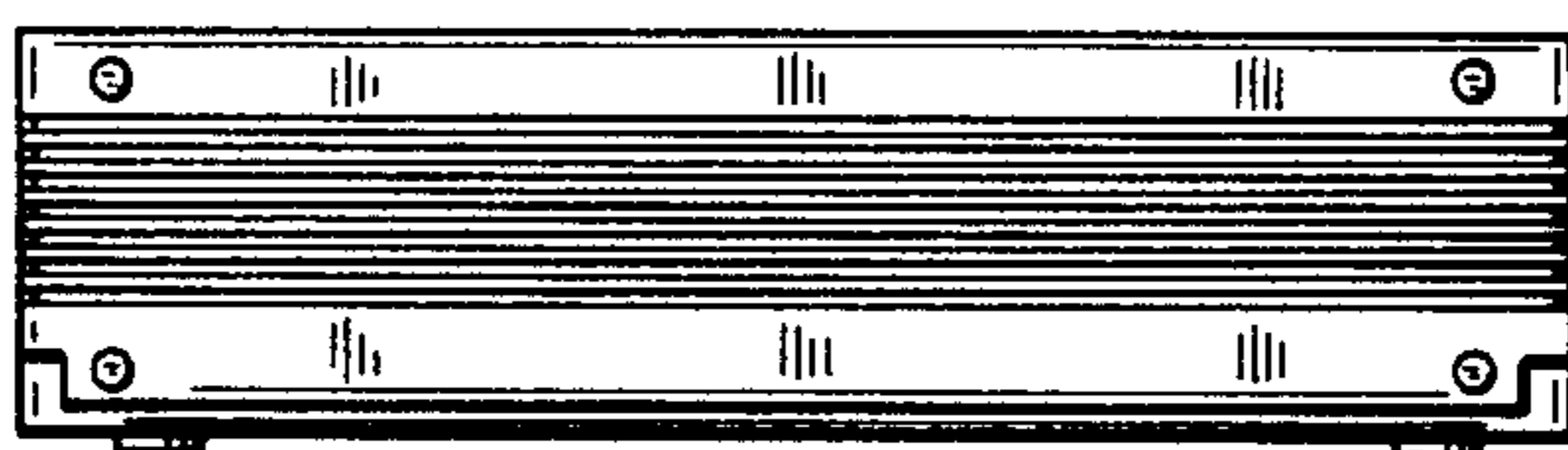
FIG_1



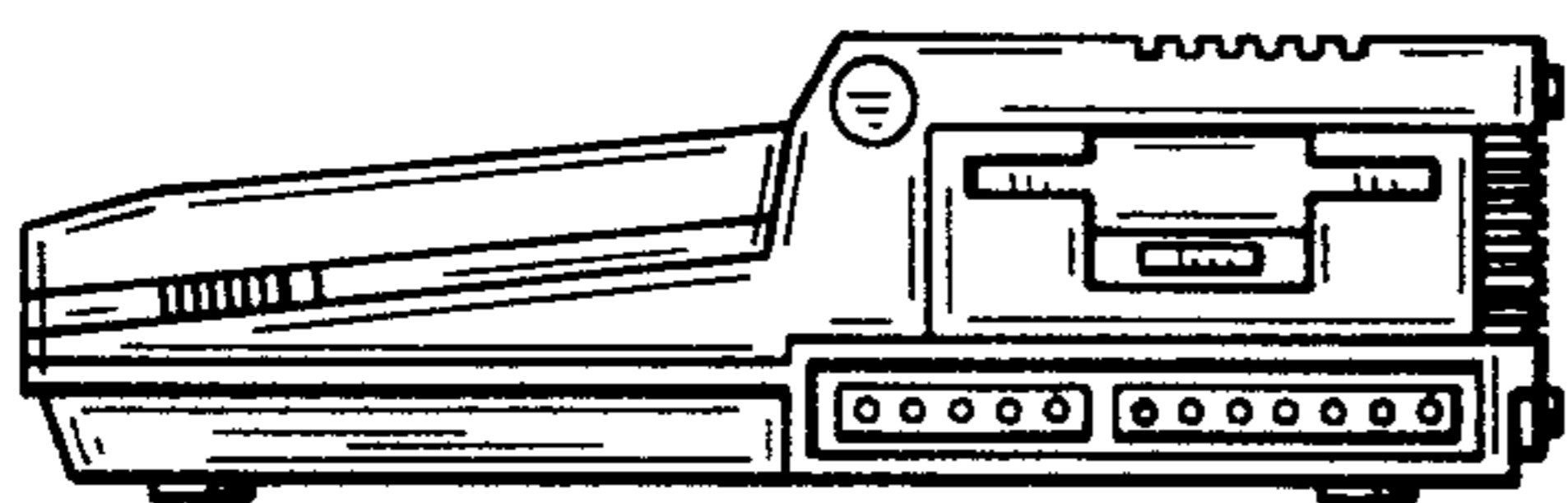
FIG_2



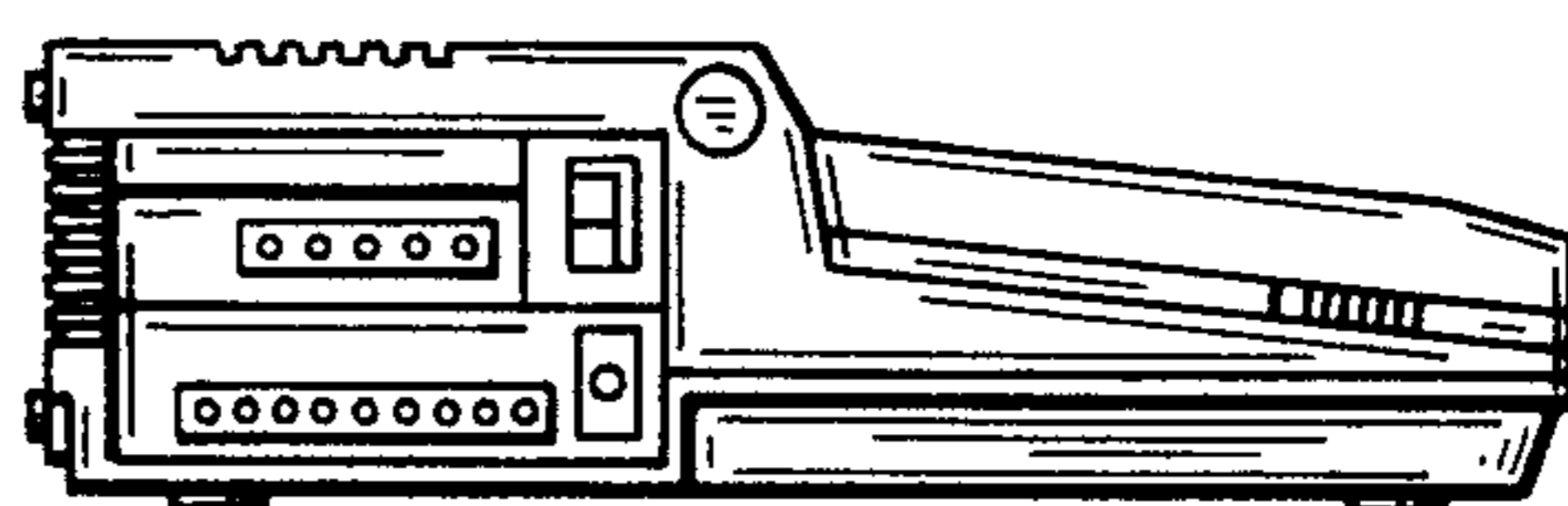
FIG_3



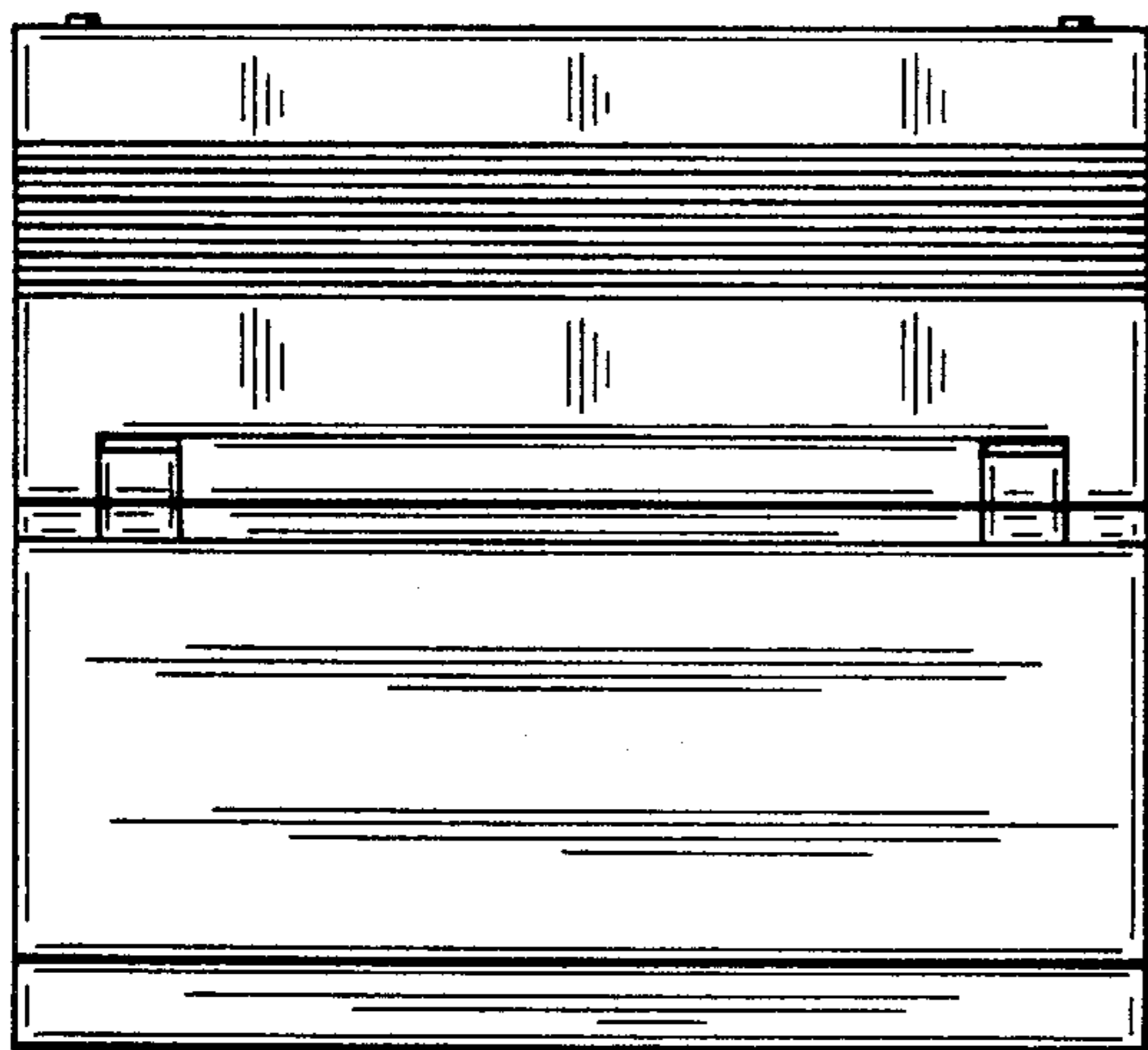
FIG_4



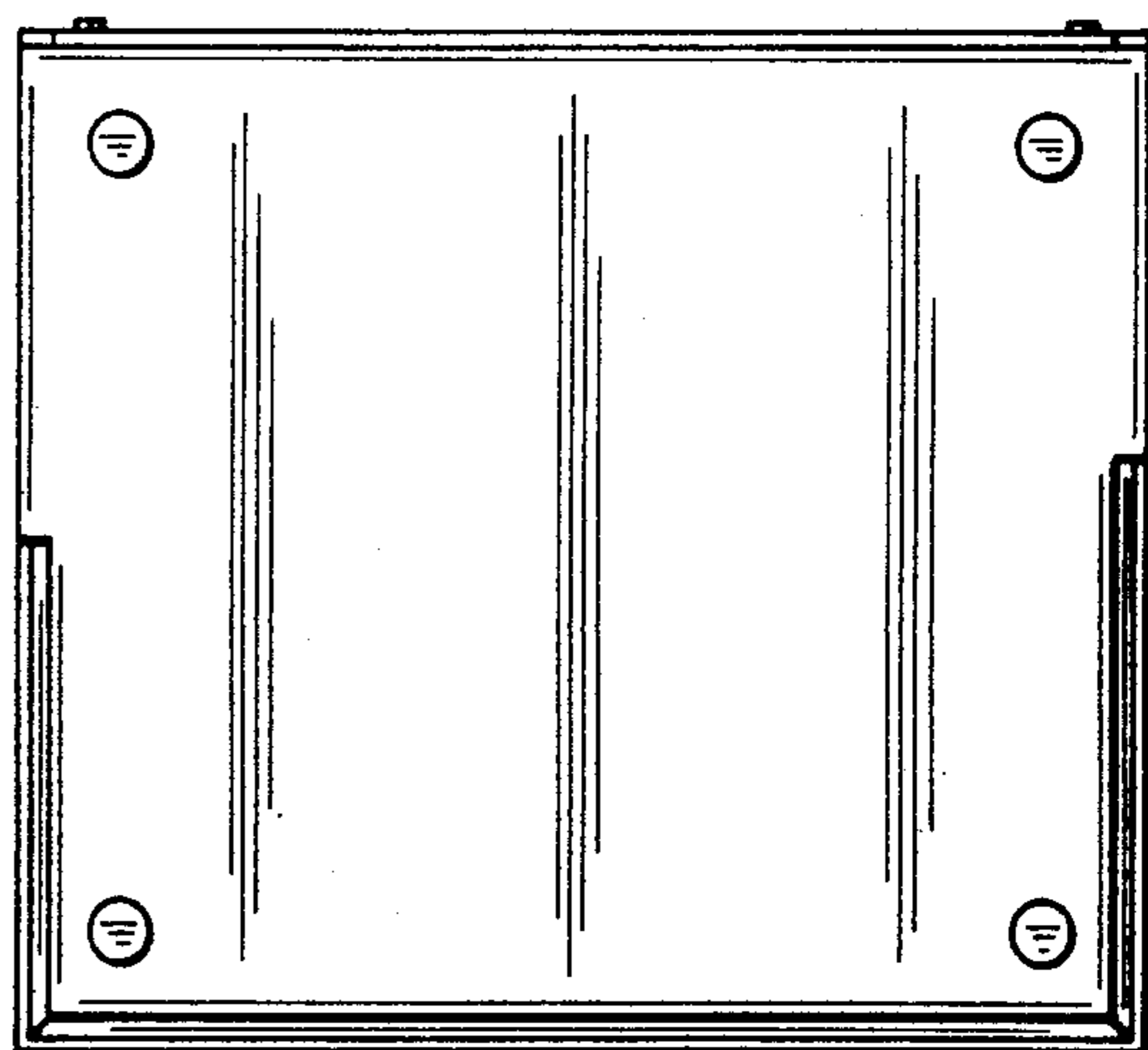
FIG_5



FIG_6



FIG_7



FIG_8