

[54] FUEL DISPENSING STATION

4,217,993 8/1980 Jess et al. 222/14

[75] Inventors: Greg Gabourie, Ajax; Rod Senior; Glen Crolly, both of Don Mills, all of Canada

Primary Examiner—Bernard Ansher
Assistant Examiner—Linda Titolo
Attorney, Agent, or Firm—Jordan and Hamburg

[73] Assignee: Ultramar Canada Inc., Don Mills, Canada

[57] CLAIM

[**] Term: 14 Years

The ornamental design for a fuel dispensing station, as shown and described.

[21] Appl. No.: 606,115

DESCRIPTION

[22] Filed: May 2, 1984

[30] Foreign Application Priority Data

Nov. 18, 1983 [CA] Canada 18-11-83-6

[52] U.S. Cl. D15/9.2

[58] Field of Search D15/9.1-9.3;
141/382-386; 222/14-22, 74

FIG. 1 is a top front perspective view of a fuel dispensing station, showing our new design, the top rear perspective view being a mirror image thereof;

FIG. 2 is a bottom front perspective view thereof, the bottom rear view being a mirror image thereof;

FIG. 3 is a top front perspective view of a second embodiment of that shown in FIG. 1, the top rear view being a mirror image thereof;

FIG. 4 is a bottom front perspective view thereof, the bottom rear view being a mirror image thereof; and

FIG. 5 is an enlarged front elevational view of the hexahedral transaction terminal structure of FIGS. 1-4, shown separately for clarity of illustration.

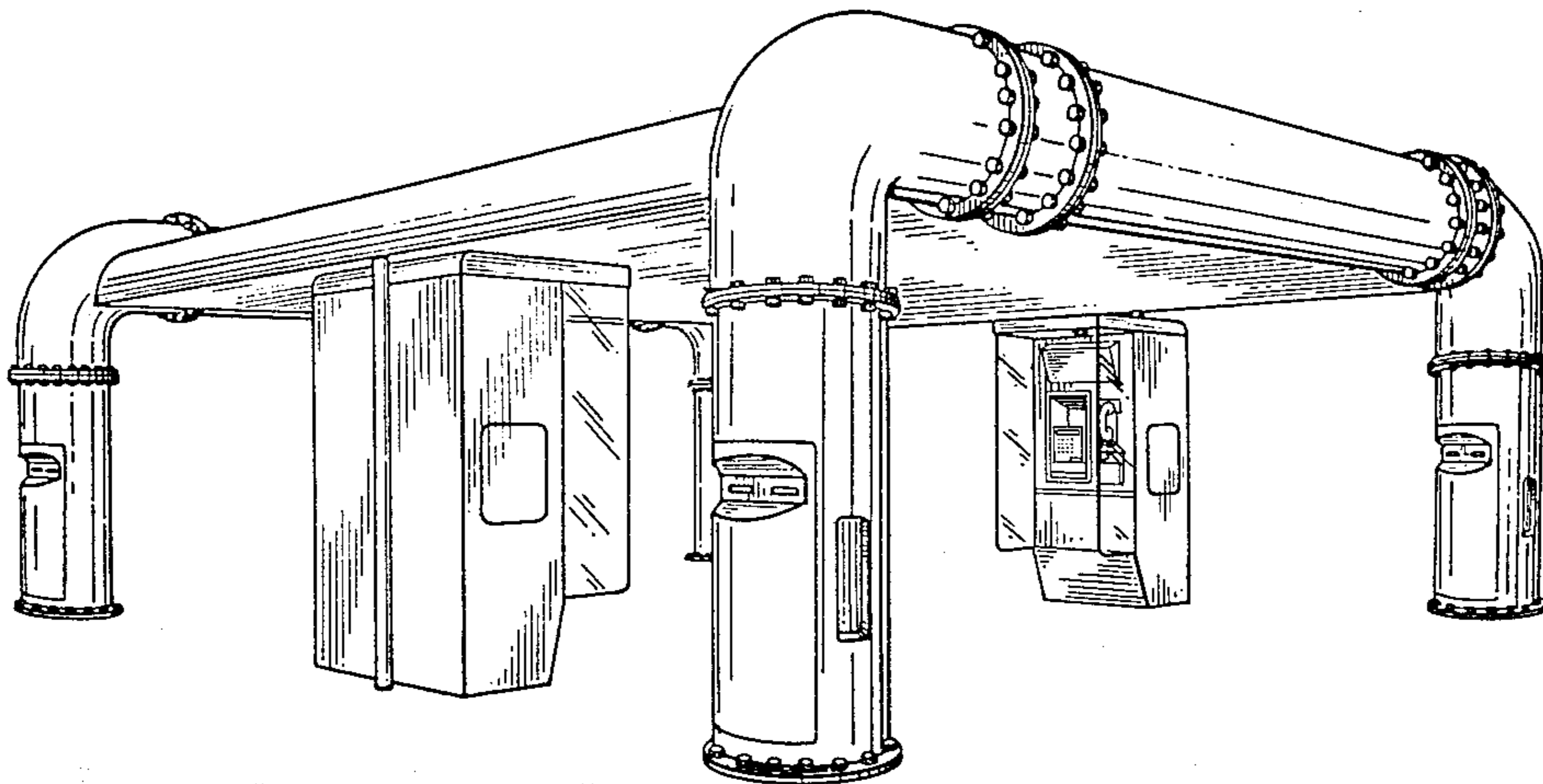
The views opposite FIGS. 1-4 are mirror images of their opposite sides respectively.

The sides and rear of the hexahedral structure shown in FIG. 5 are the same on each of the structures as that shown in FIG. 2.

[56] References Cited

U.S. PATENT DOCUMENTS

- D. 181,354 11/1957 Greene D15/9.2
- D. 207,602 5/1967 Freed D15/9.2
- D. 235,917 7/1975 Hickey et al. D15/9.1
- D. 252,994 9/1979 Pettingill D15/9.2
- 1,718,393 6/1929 Thompson 222/74 X
- 3,199,727 8/1965 Romanowski 222/20
- 3,883,042 5/1975 Junker 222/74 X
- 3,921,684 11/1975 Allen 141/382 X



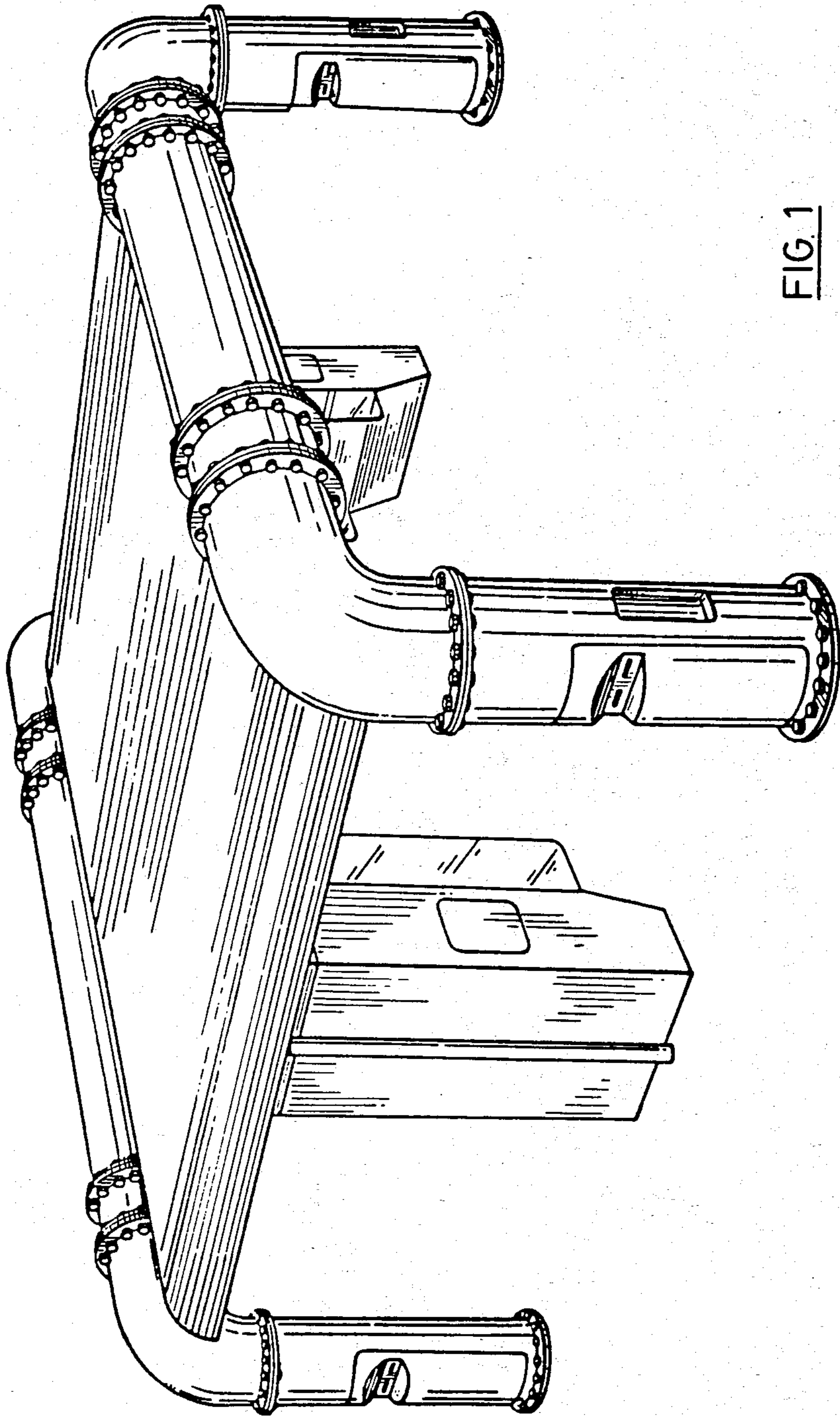


FIG. 1

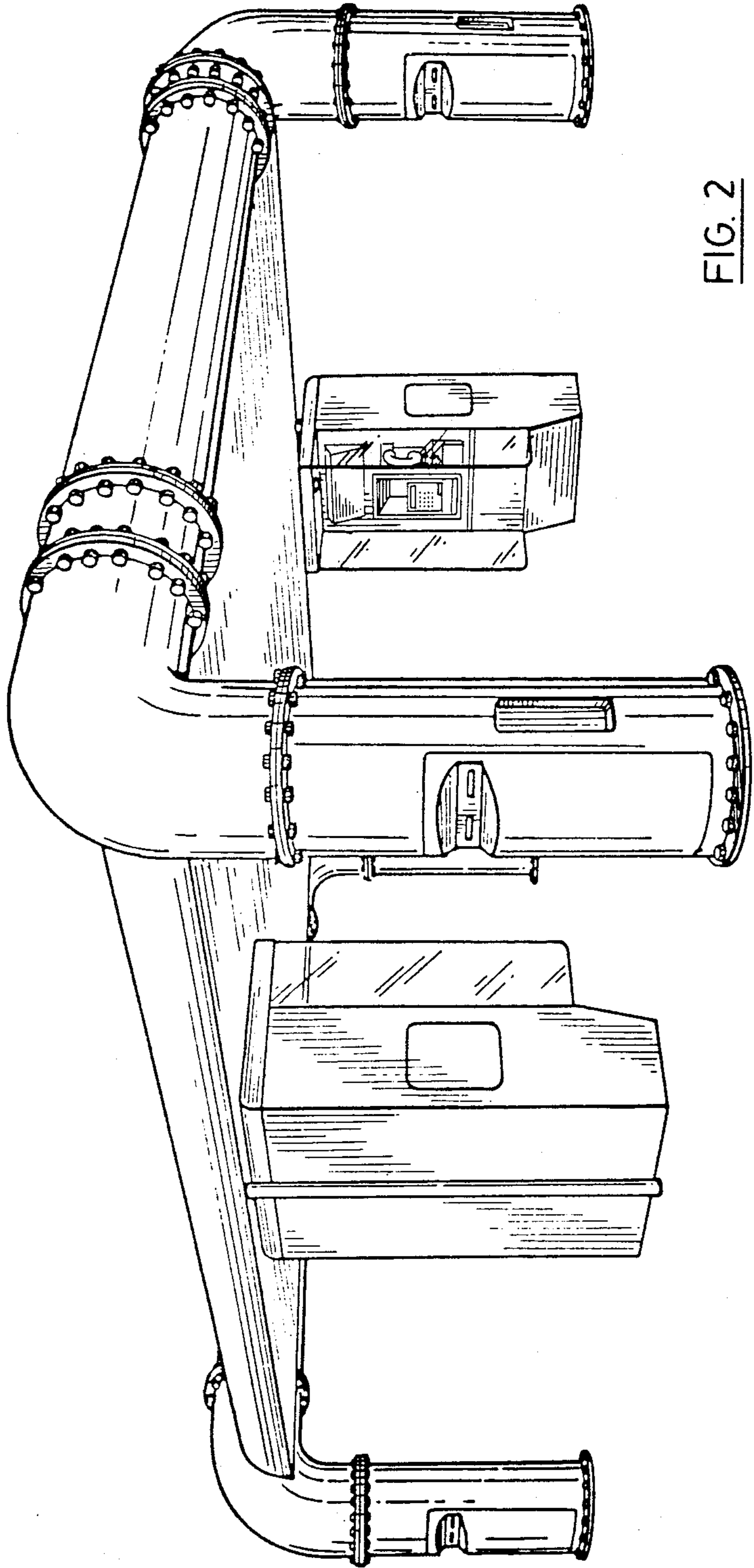


FIG. 2

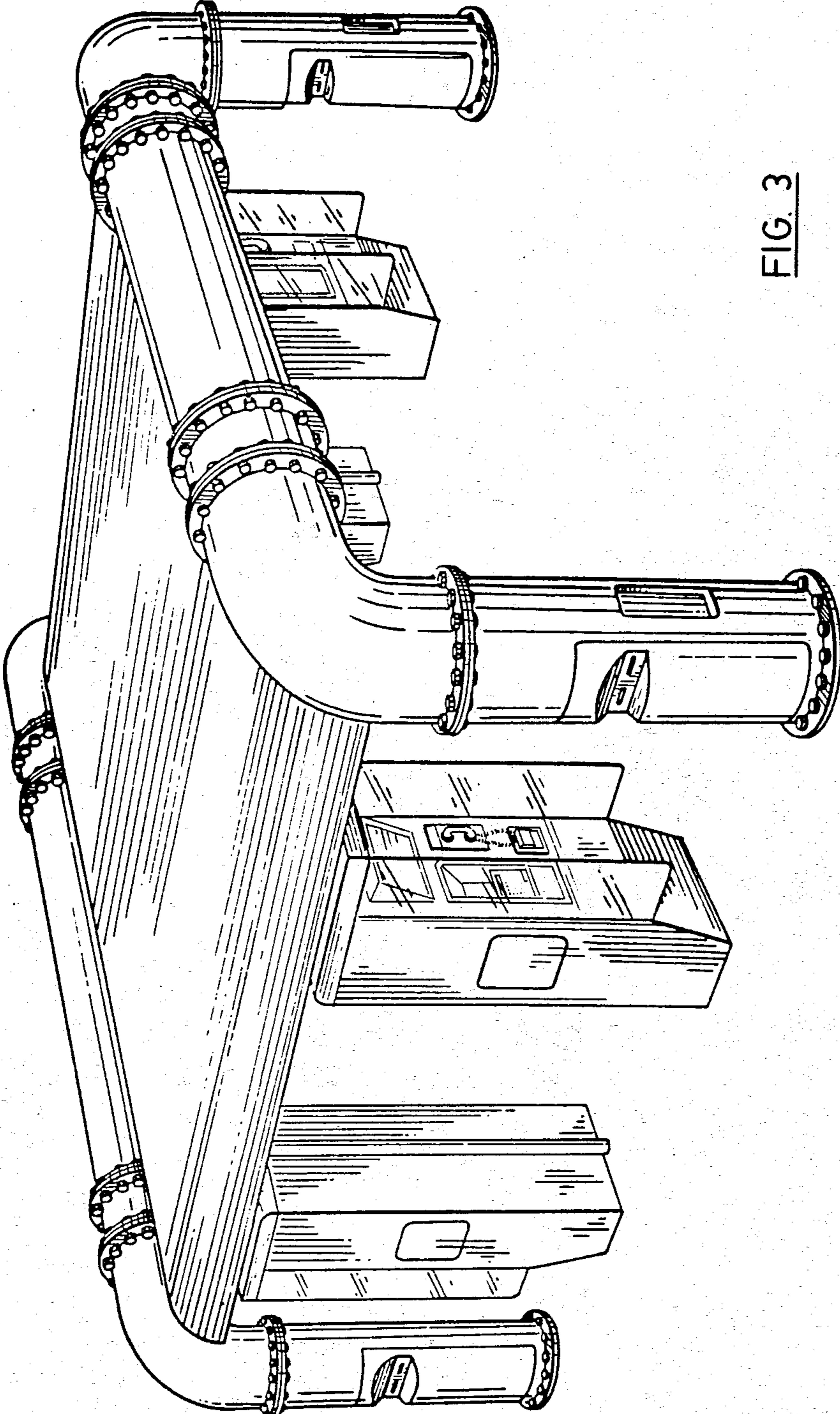


FIG. 3

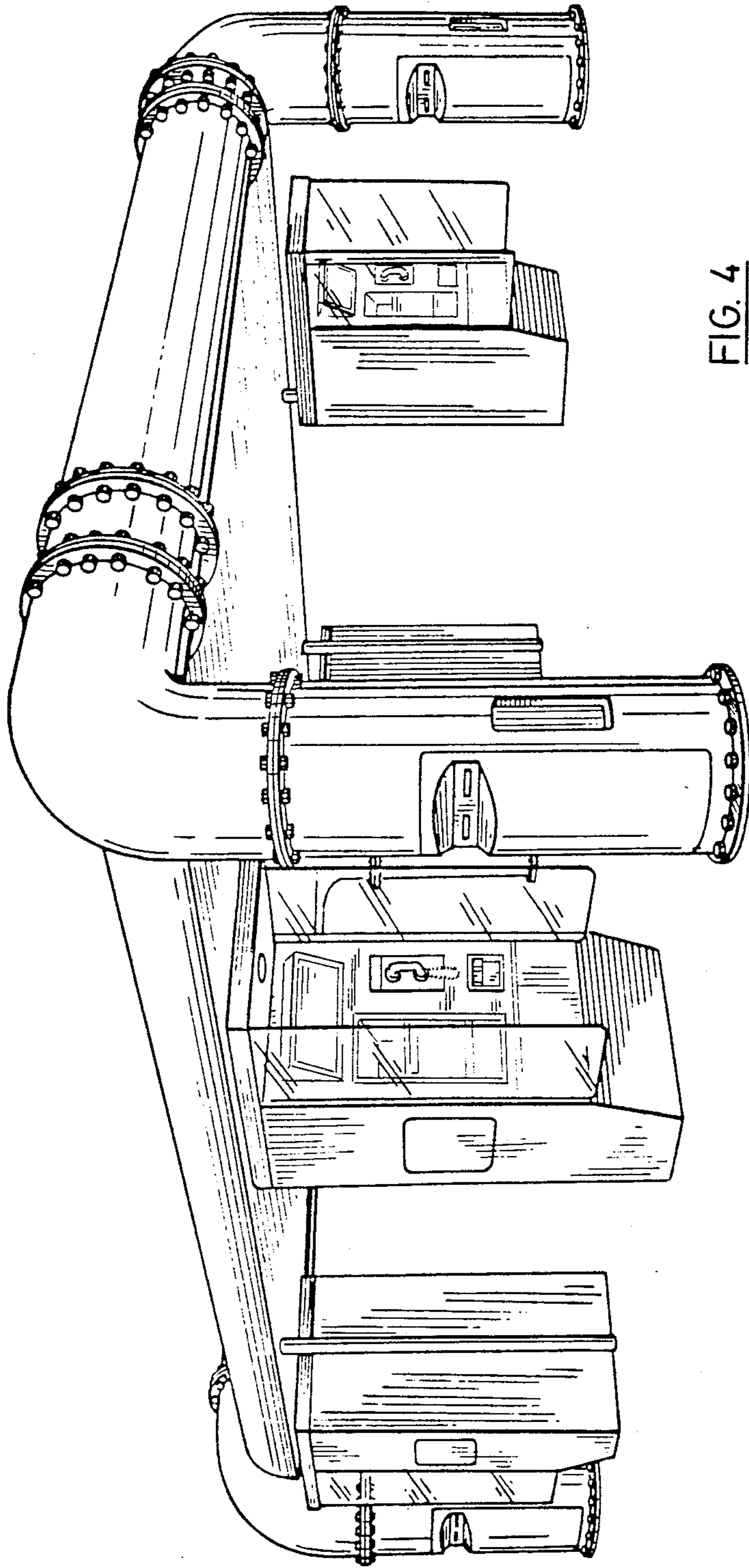


FIG. 4

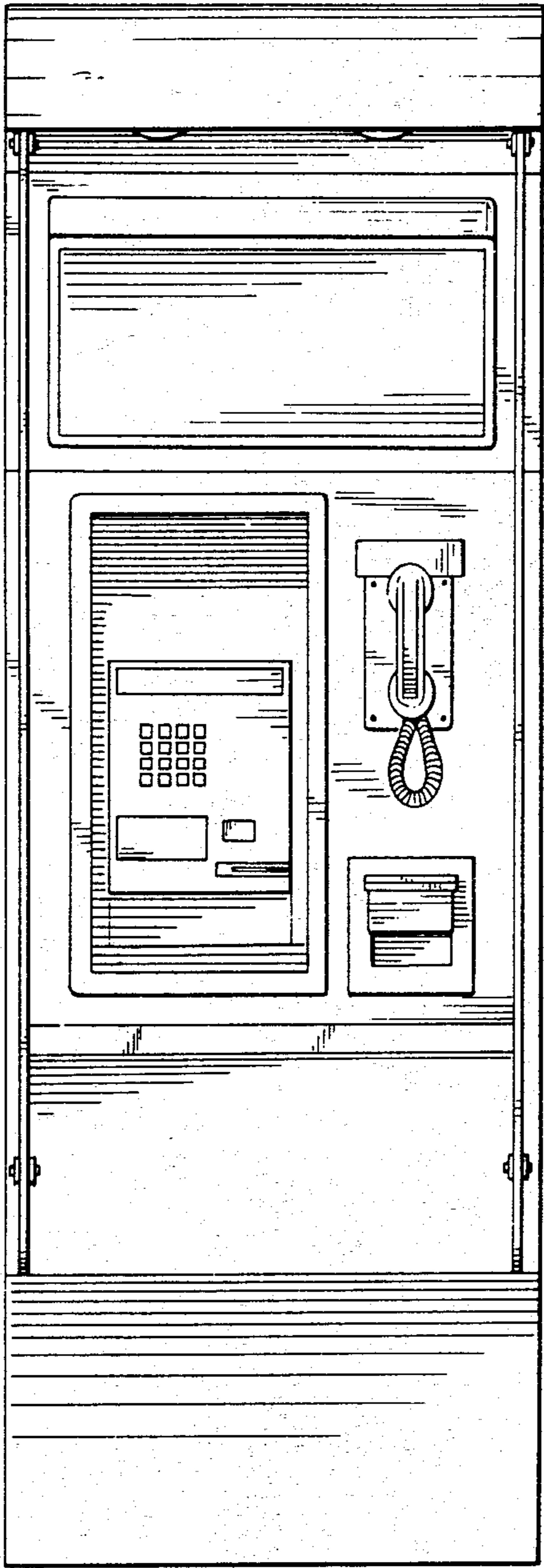


FIG. 5