

[54] OUTBOARD MOTOR

[75] Inventors: **Yoshio Mikado, Saitama; Jun Ito; Masayuki Ohsumi**, both of Tokyo, all of Japan

[73] Assignee: **Honda Giken Kogyo Kabushiki Kaisha**, Tokyo, Japan

[\*] Notice: The portion of the term of this patent subsequent to Apr. 7, 2001 has been disclaimed.

[\*\*] Term: **14 Years**

[21] Appl. No.: **683,407**

[22] Filed: **Dec. 19, 1984**

[52] U.S. Cl. .... **D15/4**

[58] Field of Search ..... **D15/4; 206/319; 123/195 C, 195 P; 440/49-53, 59, 63, 76-77, 78, 84, 900**

[56] References Cited

U.S. PATENT DOCUMENTS

D. 175,270 8/1955 Painter ..... D15/4  
4,507,090 3/1985 Kobayashi et al. .... 440/52

OTHER PUBLICATIONS

Johnson Engine catalogue (Feb. 1977), p. 24—Seahorse. Ocean Life (3/20/84), p. 329 “-Tohatsu 12” #M12C, Outboard Engine.

*Primary Examiner*—Wallace R. Burke  
*Assistant Examiner*—Brian N. Vinson  
*Attorney, Agent, or Firm*—Irving M. Weiner; Joseph P. Carrier; Pamela S. Burt

[57] CLAIM

The ornamental design for an outboard motor, as shown.

DESCRIPTION

FIG. 1 is a front elevational view of an outboard motor showing our new design;  
FIG. 2 is a rear elevational view thereof;  
FIG. 3 is a left side elevational view thereof;  
FIG. 4 is a right side elevational view thereof;  
FIG. 5 is a top plan view thereof; and  
FIG. 6 is a bottom plan view thereof.

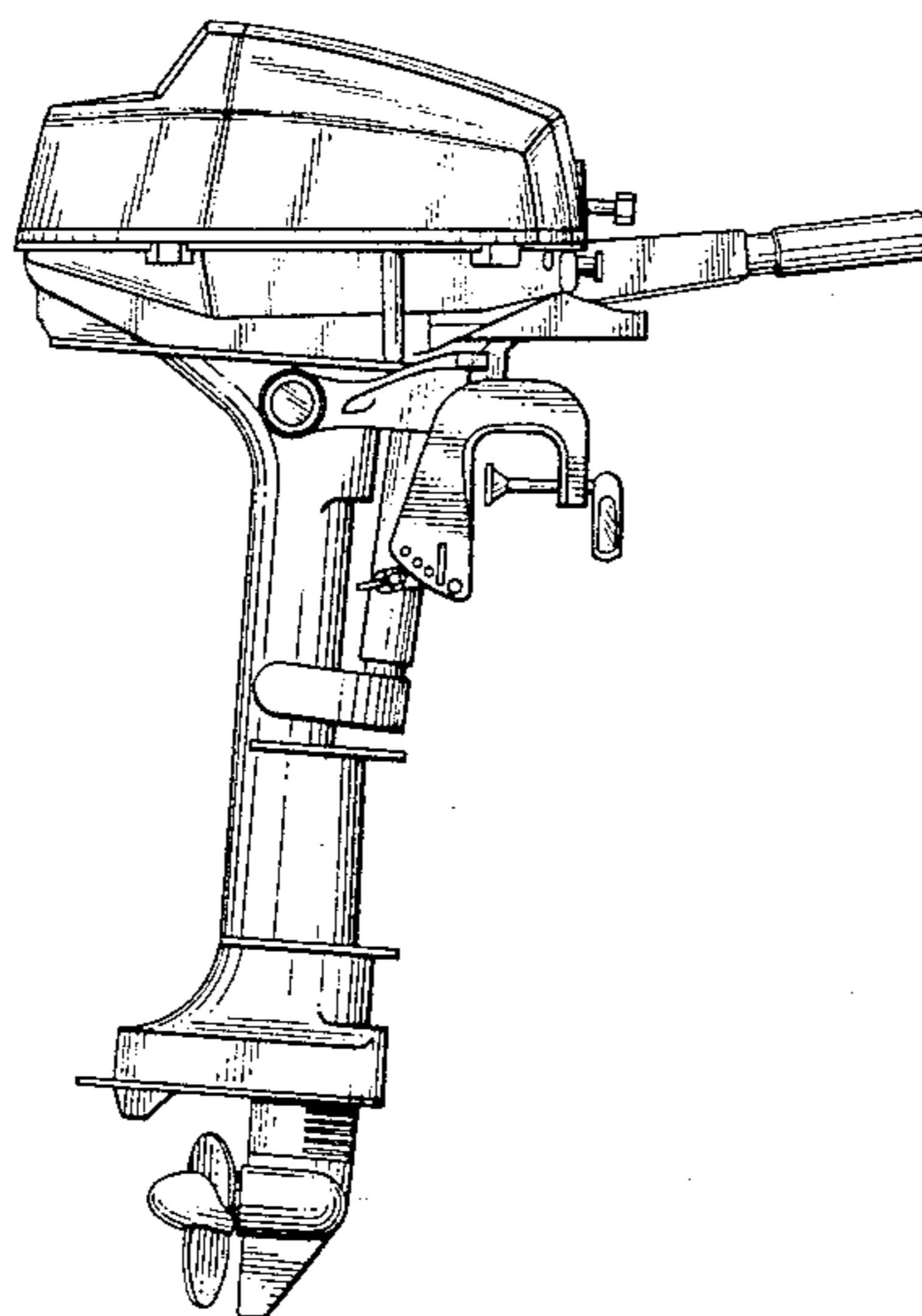


FIG.1

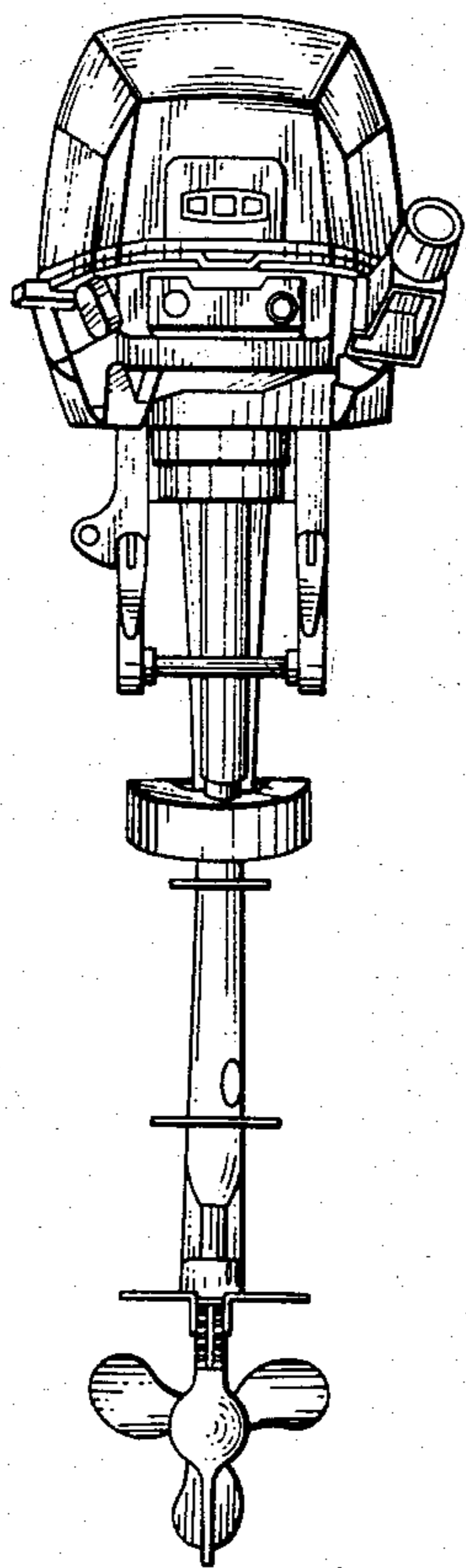


FIG.2

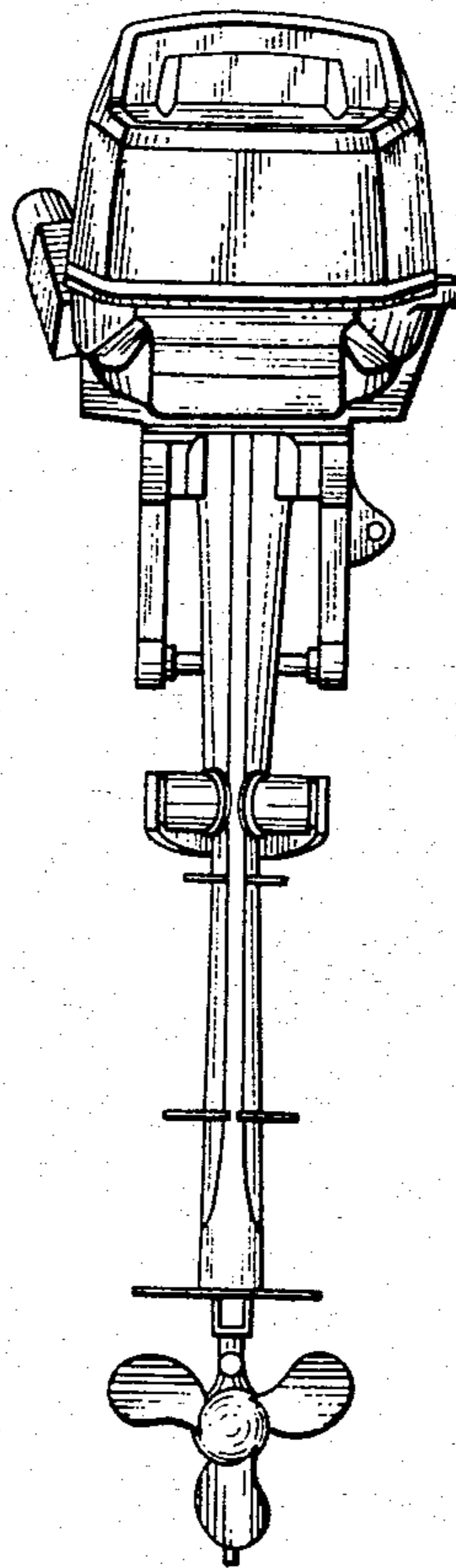


FIG. 3

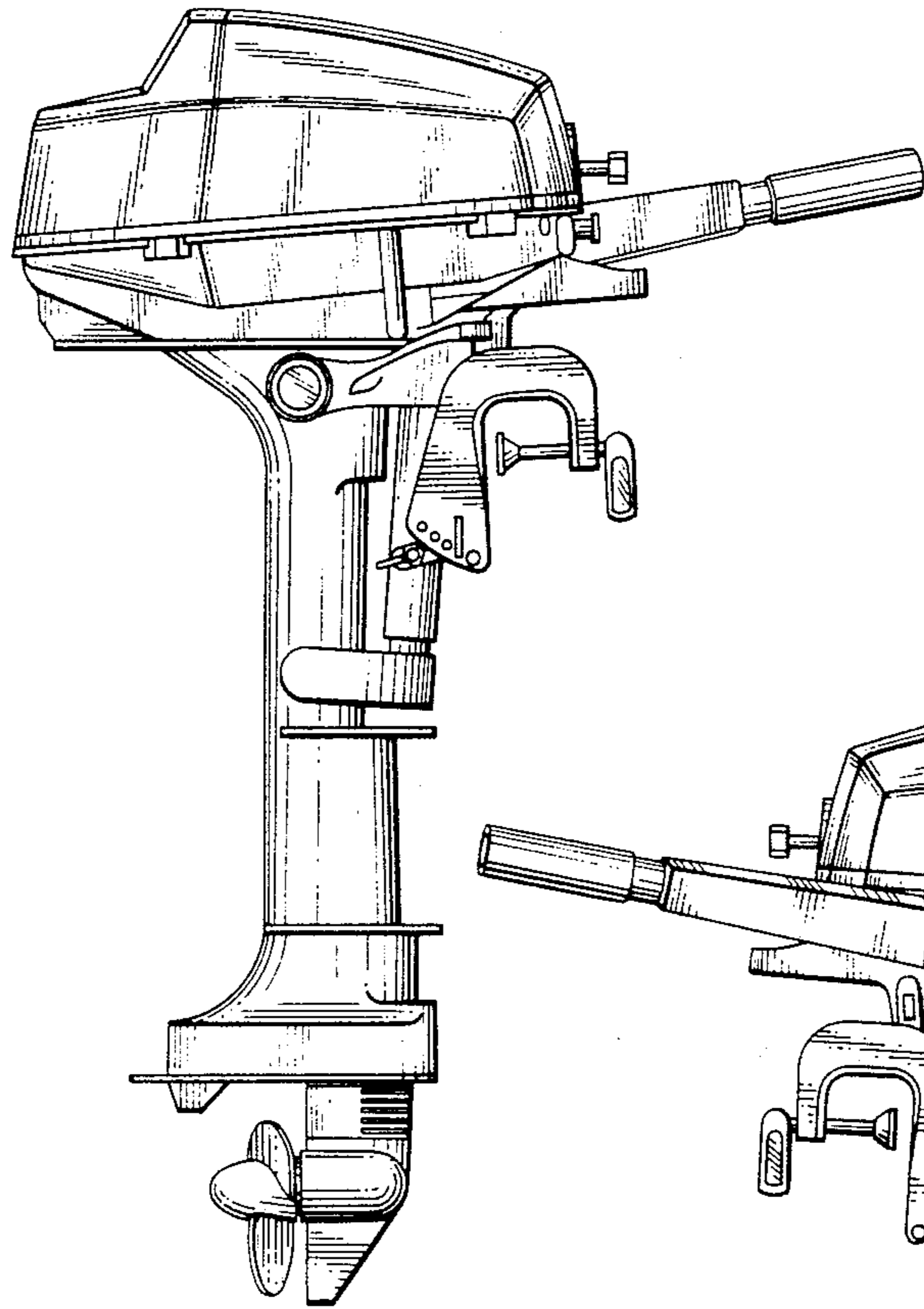


FIG. 4

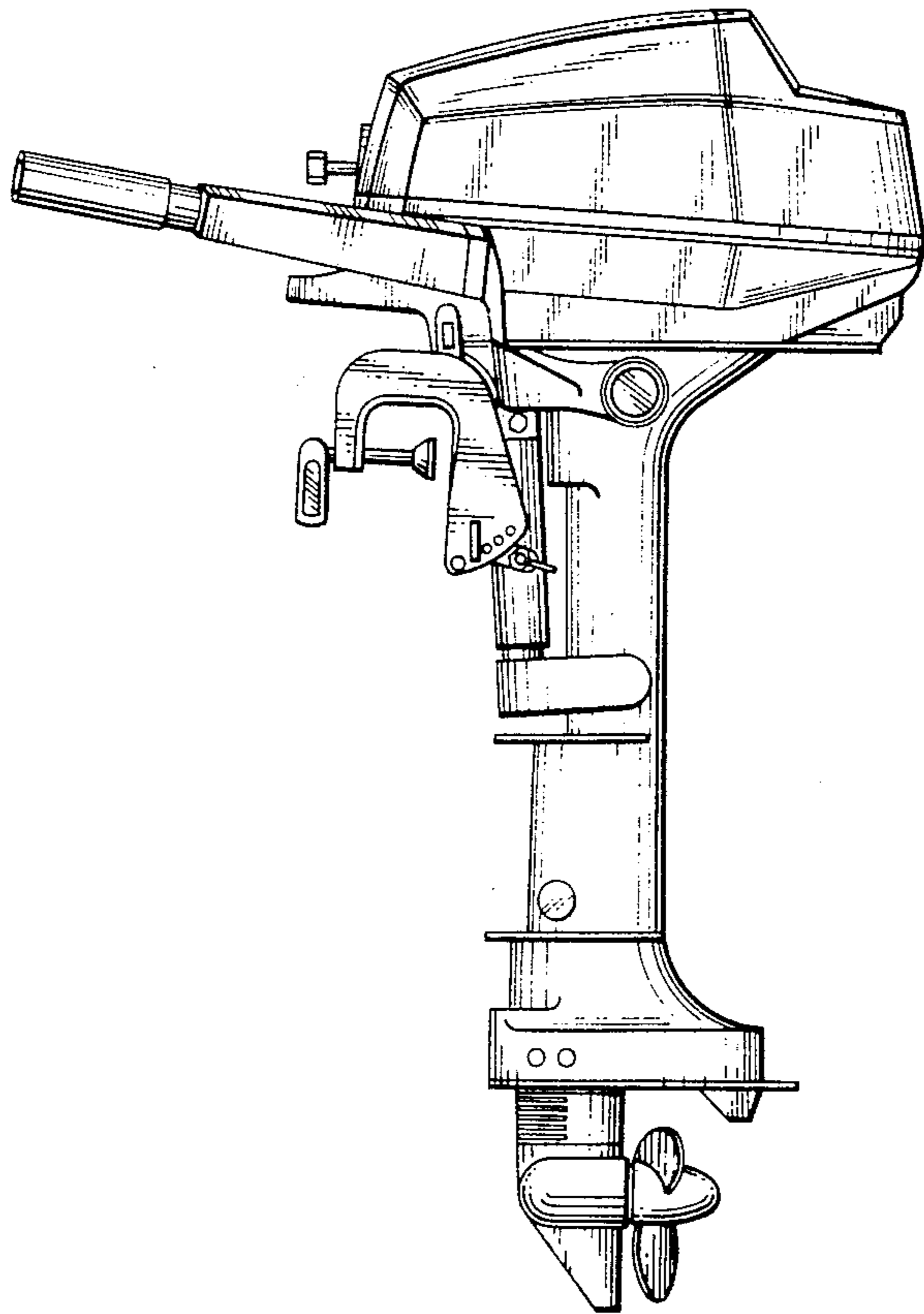


FIG. 5

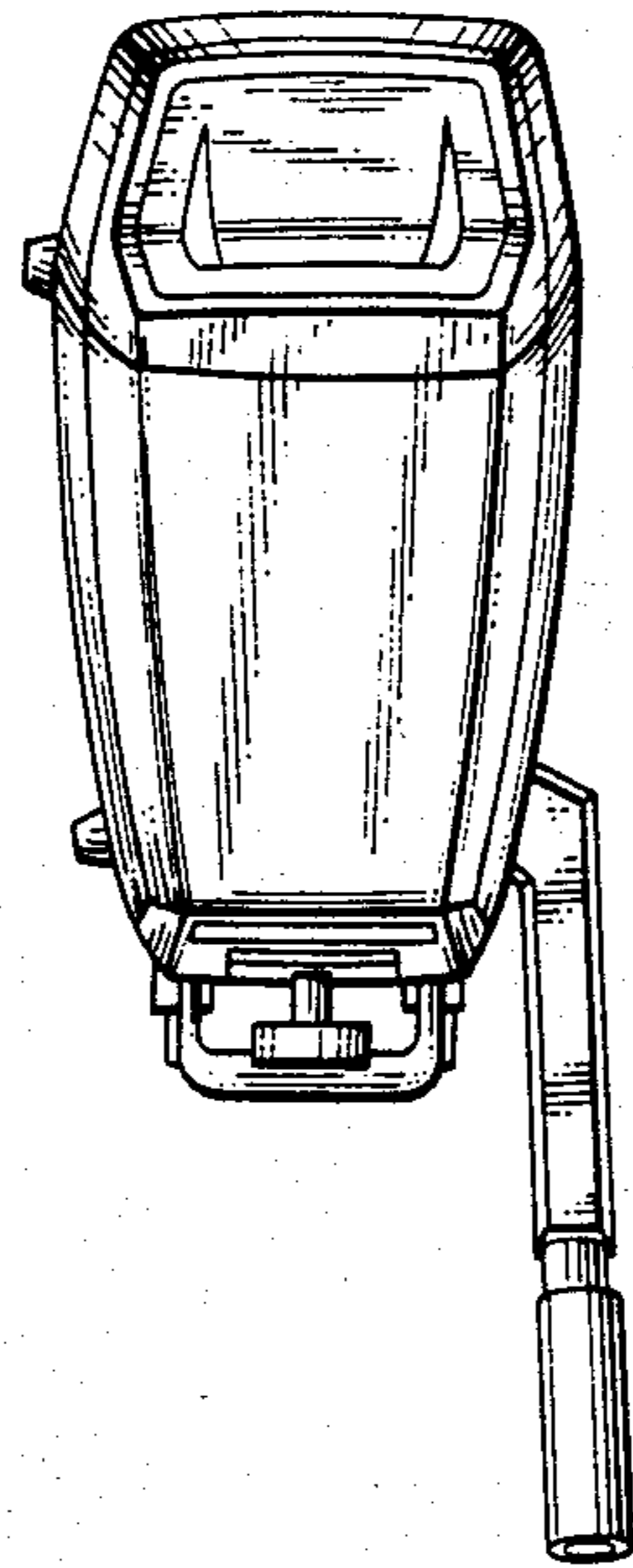


FIG. 6

