

[54] VIDEO TERMINAL

[75] Inventor: Sheldon M. Rutter, Miami, Fla.

[73] Assignee: Gould Inc., Rolling Meadows, Ill.

[**] Term: 14 Years

[21] Appl. No.: 622,912

[22] Filed: Jun. 21, 1984

[52] U.S. Cl. D14/113

[58] Field of Search D14/100, 106, 107, 113,
D14/114, 77, 80, 81, 82, 84; 340/365 R, 700,
711; 358/254, 248, 249; 312/7.2

[56] References Cited

U.S. PATENT DOCUMENTS

D. 276,236 11/1984 Akiyama D14/113

D. 279,007 5/1985 Empson et al. D14/113
D. 282,845 3/1986 Lewis D14/113

Primary Examiner—Susan J. Lucas
Attorney, Agent, or Firm—Edward E. Sachs; G. Paul
Edgell; Robert J. Fox

[57] CLAIM

The ornamental design for a video terminal, as shown.

DESCRIPTION

FIG. 1 is a front perspective view of the video terminal showing my new design.

FIG. 2 is a front elevational view thereof.

FIG. 3 is a right side elevational view thereof.

FIG. 4 is a left side elevational view thereof.

FIG. 5 is a rear elevational view thereof.

FIG. 6 is a top plan view thereof.

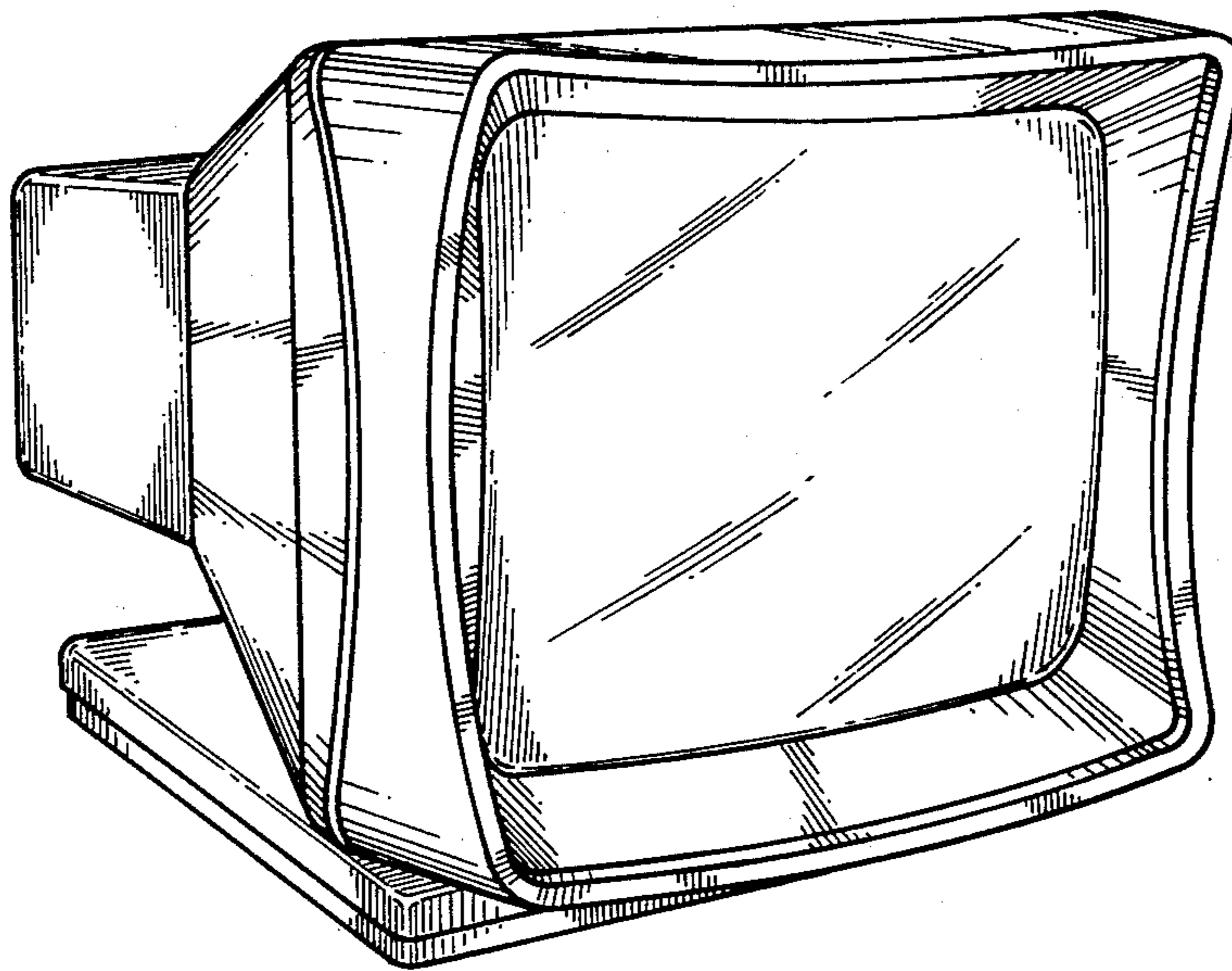


Fig. 1

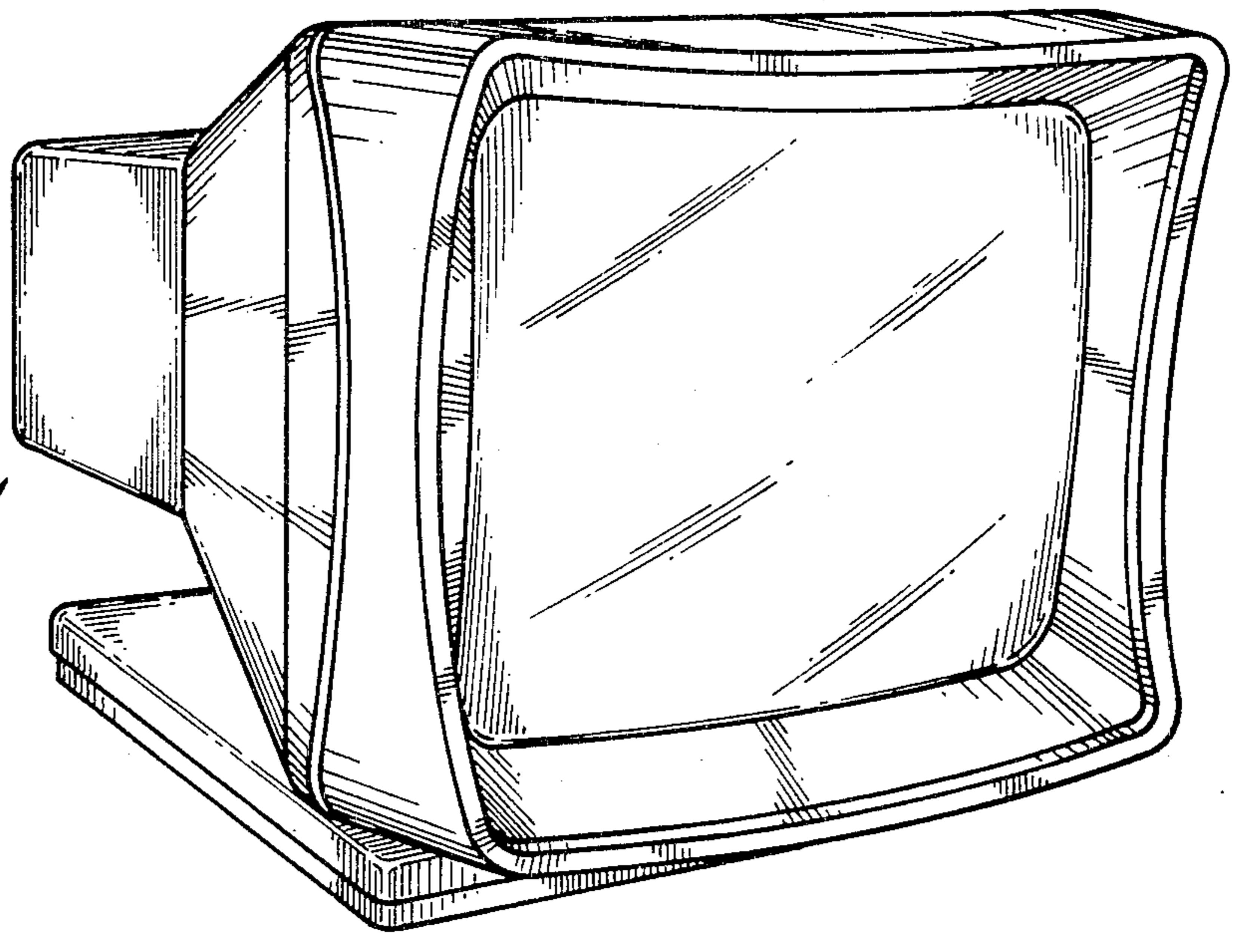


Fig. 2

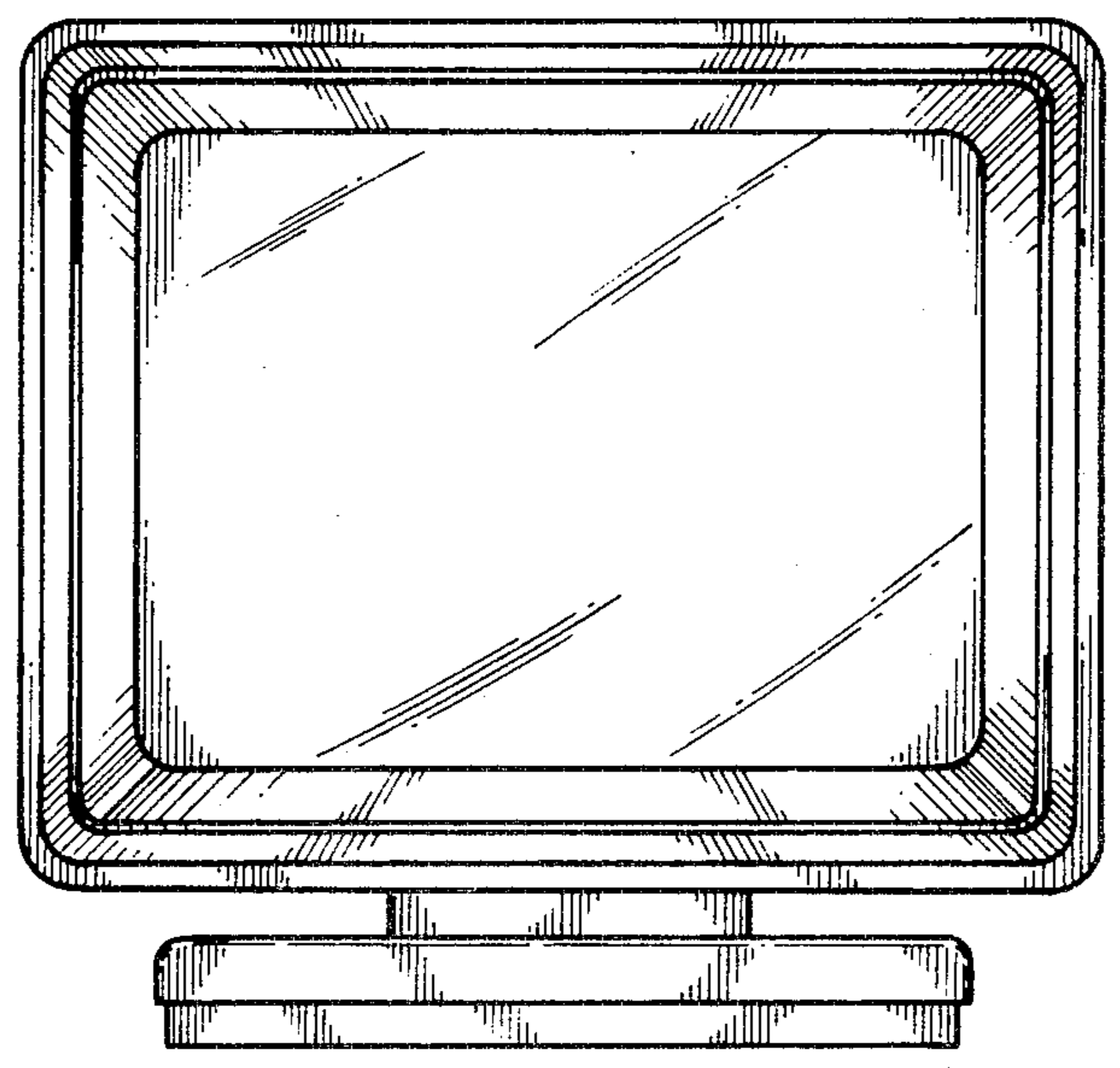


Fig. 3

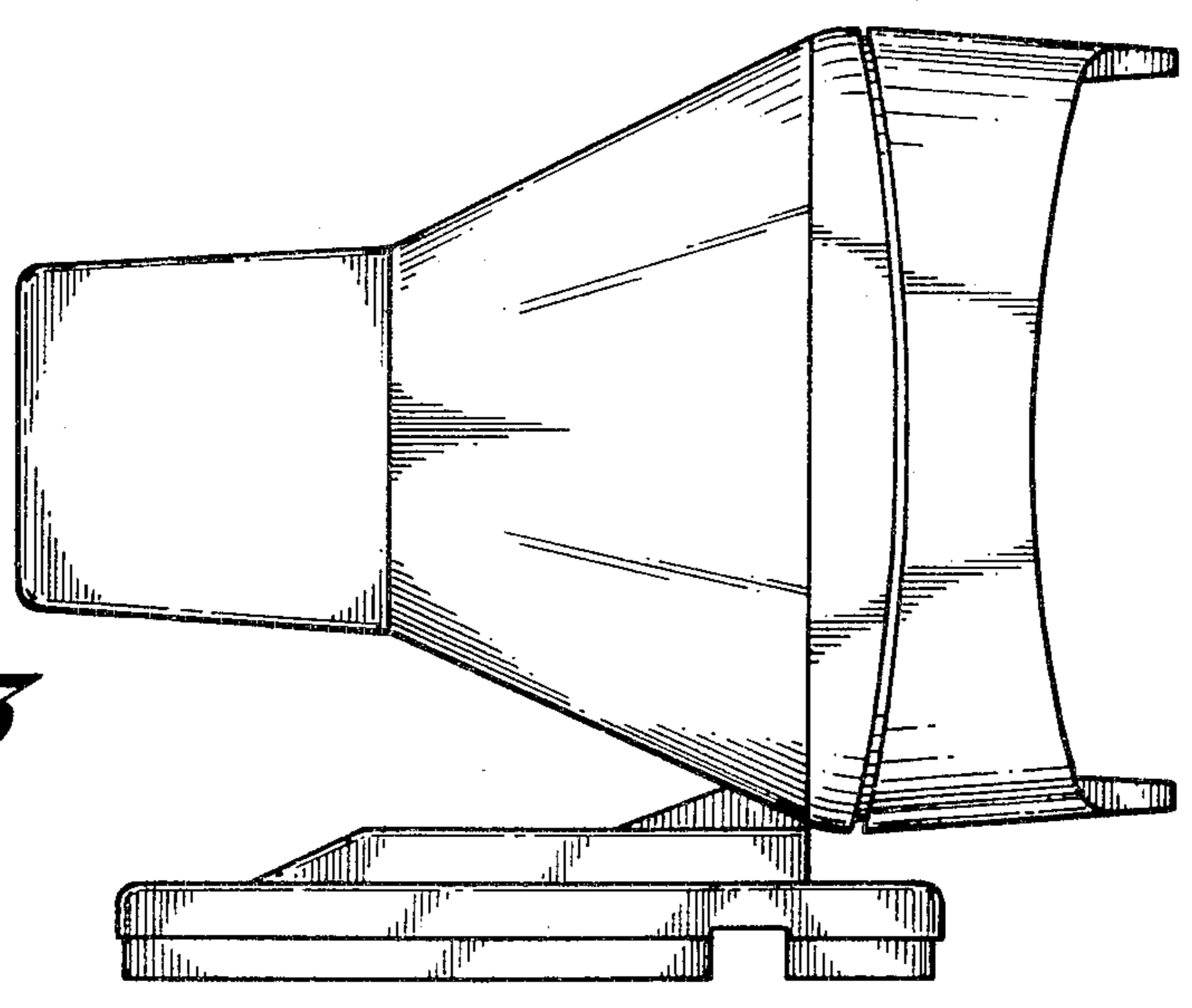


Fig. 4

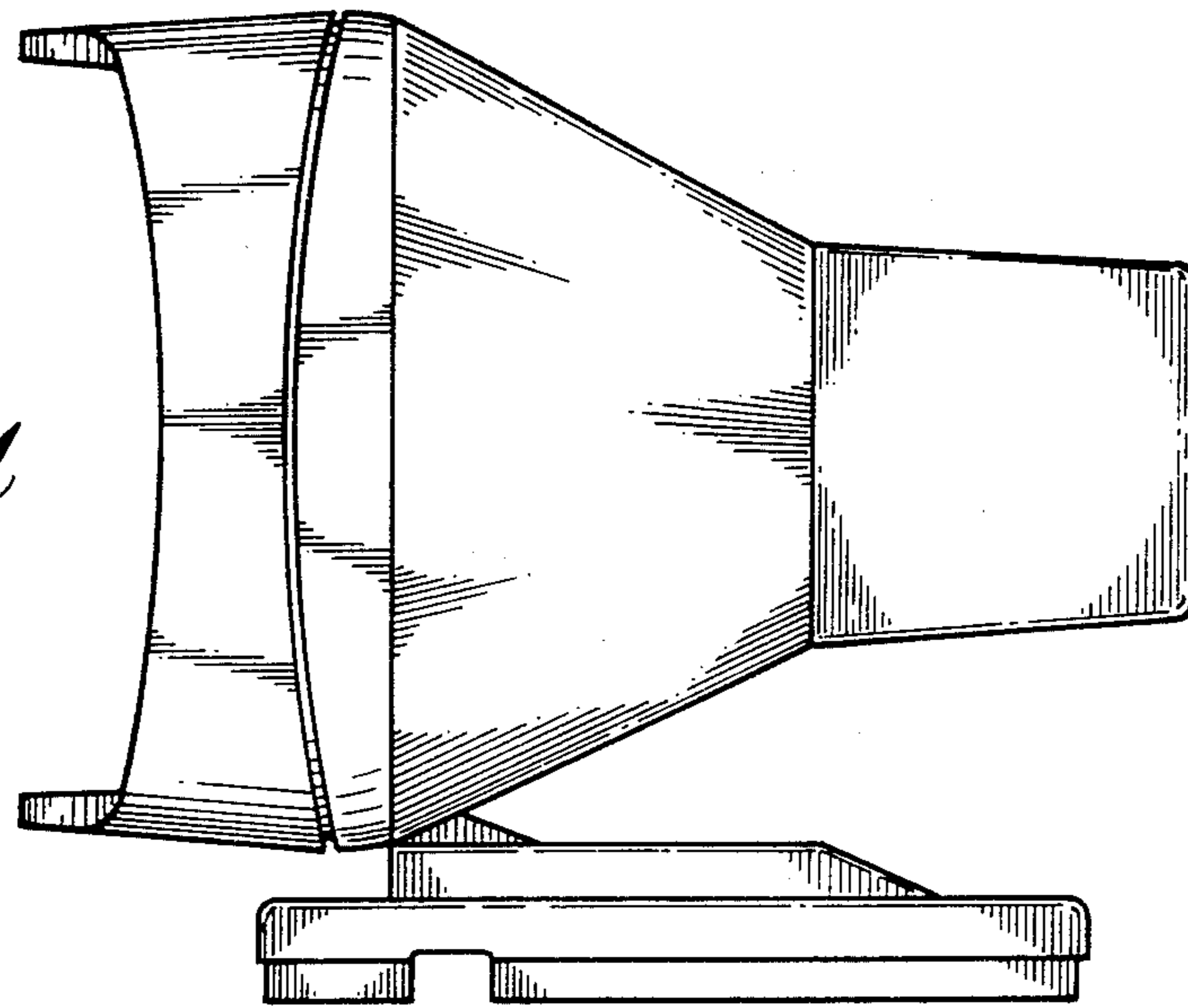


Fig. 5

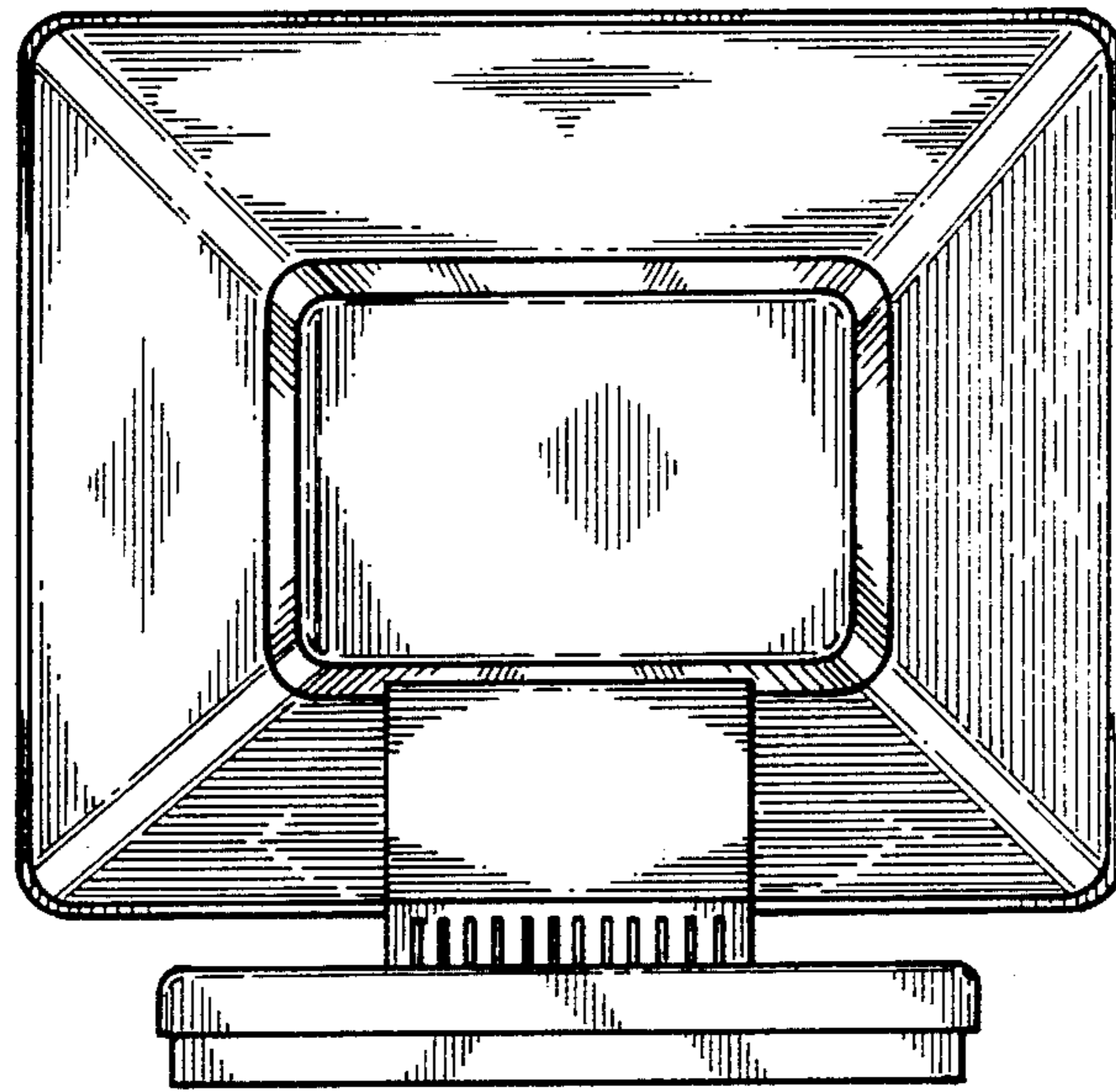


Fig. 6

