

[54] ANTENNA OR SIMILAR ARTICLE

[75] Inventor: Stefan Eriksson, Mönsterås, Sweden

[73] Assignee: Antenn & Elektronik Ekstam & Eriksson, Alem-Blomstermala, Sweden

[**] Term: 14 Years

[21] Appl. No.: 669,651

[22] Filed: Nov. 6, 1984

[52] U.S. Cl. D14/86

[58] Field of Search D14/86, 87, 88, 89, D14/90, 91, 99; 343/846, 829, 830

D. 277,578 2/1985 Nichols D14/91

3,618,107 11/1971 Spanos 343/846 X

4,208,662 6/1980 Horn et al. 343/830 X

Primary Examiner—George P. Word
 Assistant Examiner—Theodore M. Shooman
 Attorney, Agent, or Firm—Berman, Aisenberg & Platt

[57] CLAIM

The ornamental design for an antenna or similar article, as shown and described.

DESCRIPTION

FIG. 1 is a top plan view of an antenna showing my new design.

FIG. 2 is a front elevation view thereof.

FIG. 3 is a left side elevation view thereof, the right side being a mirror image.

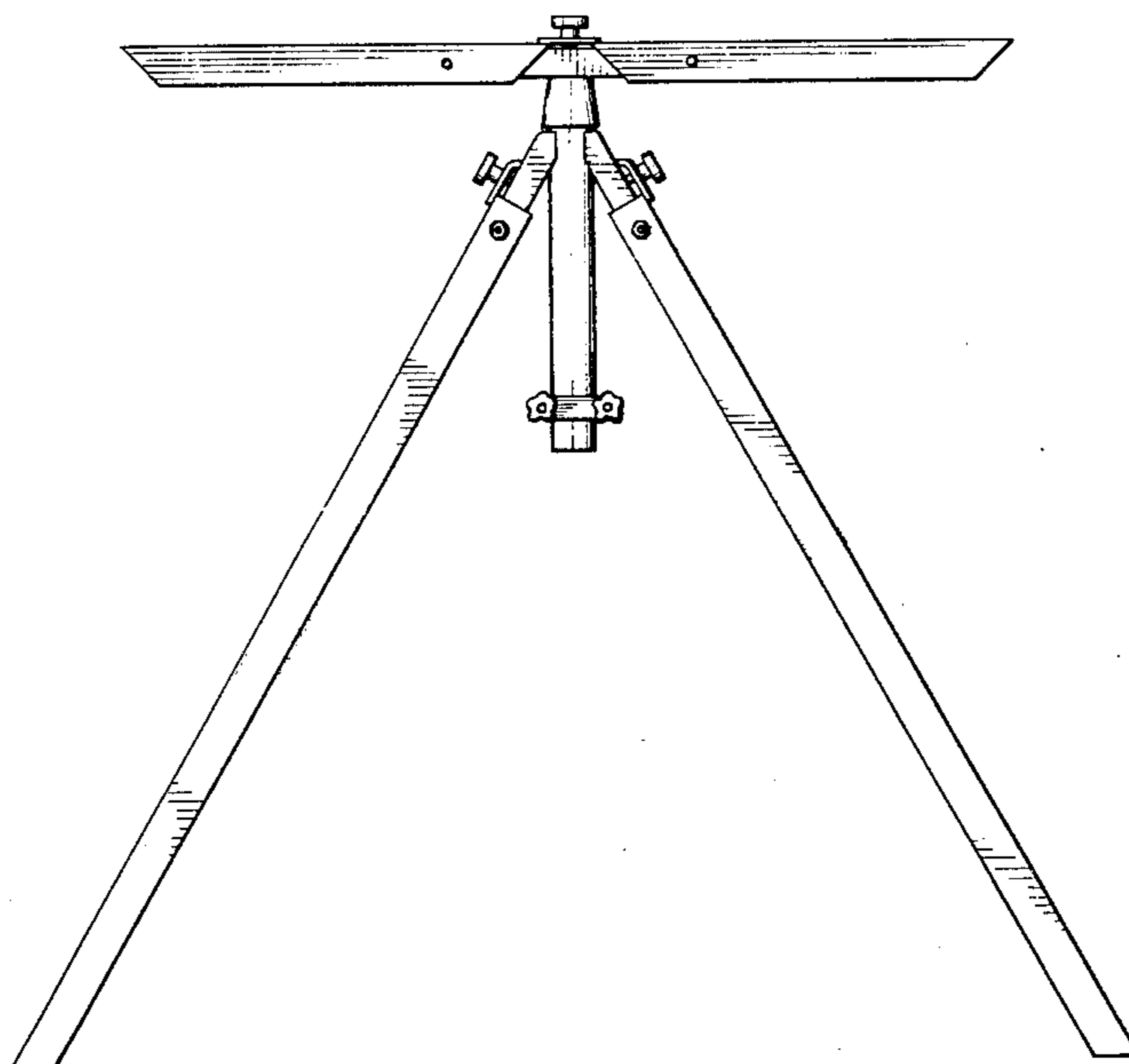
FIG. 4 is a rear elevation view thereof.

FIG. 5 is a bottom plan view thereof.

[56] References Cited

U.S. PATENT DOCUMENTS

D. 209,147 11/1967 Johnson D14/86



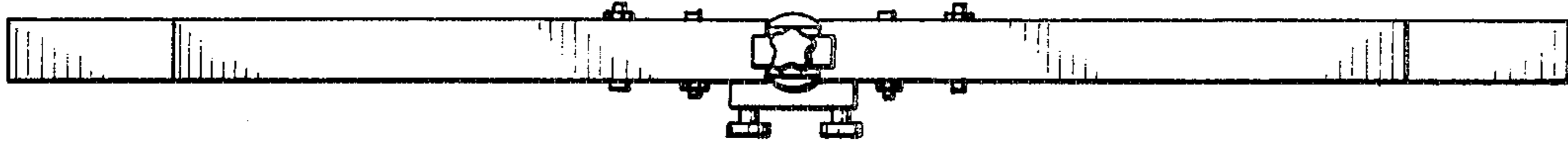


FIG 1

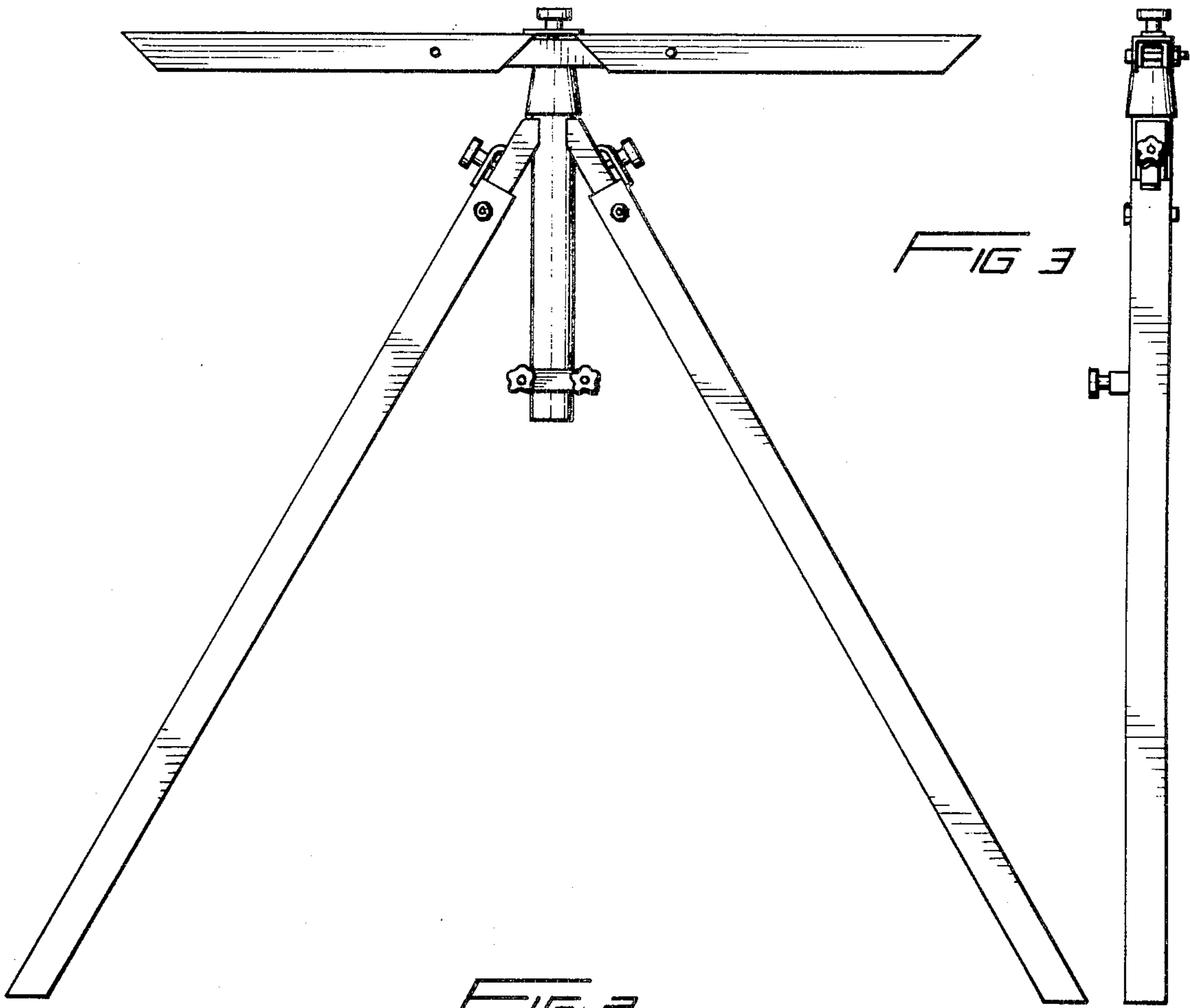


FIG 3

FIG 2

