

[54] VIDEO CAMERA SHOULDER REST

[76] Inventor: Walter E. Lisowski, 152 Prairie Dr., Westmont, Ill. 60559

[**] Term: 14 Years

[21] Appl. No.: 616,555

[22] Filed: Jun. 1, 1984

[52] U.S. Cl. D14/84; D14/78; D16/44

[58] Field of Search D14/1, 2, 6, 77, 78, D14/84, 99; 352/243; D16/44, 47; 354/292, 293; 224/185, 201, 265, 270, 271, 908

[56] References Cited

U.S. PATENT DOCUMENTS

D. 230,083	1/1974	Adams	D16/44
D. 278,238	4/1985	Kurokawa et al.	D14/84 X
2,753,778	7/1956	Tolcher	352/243 X
4,083,480	4/1978	Lee et al.	224/185
4,091,975	5/1978	Russell, Jr.	224/265
4,244,500	1/1981	Fournier	352/243 X

4,407,437 10/1983 Takubo 224/265 X

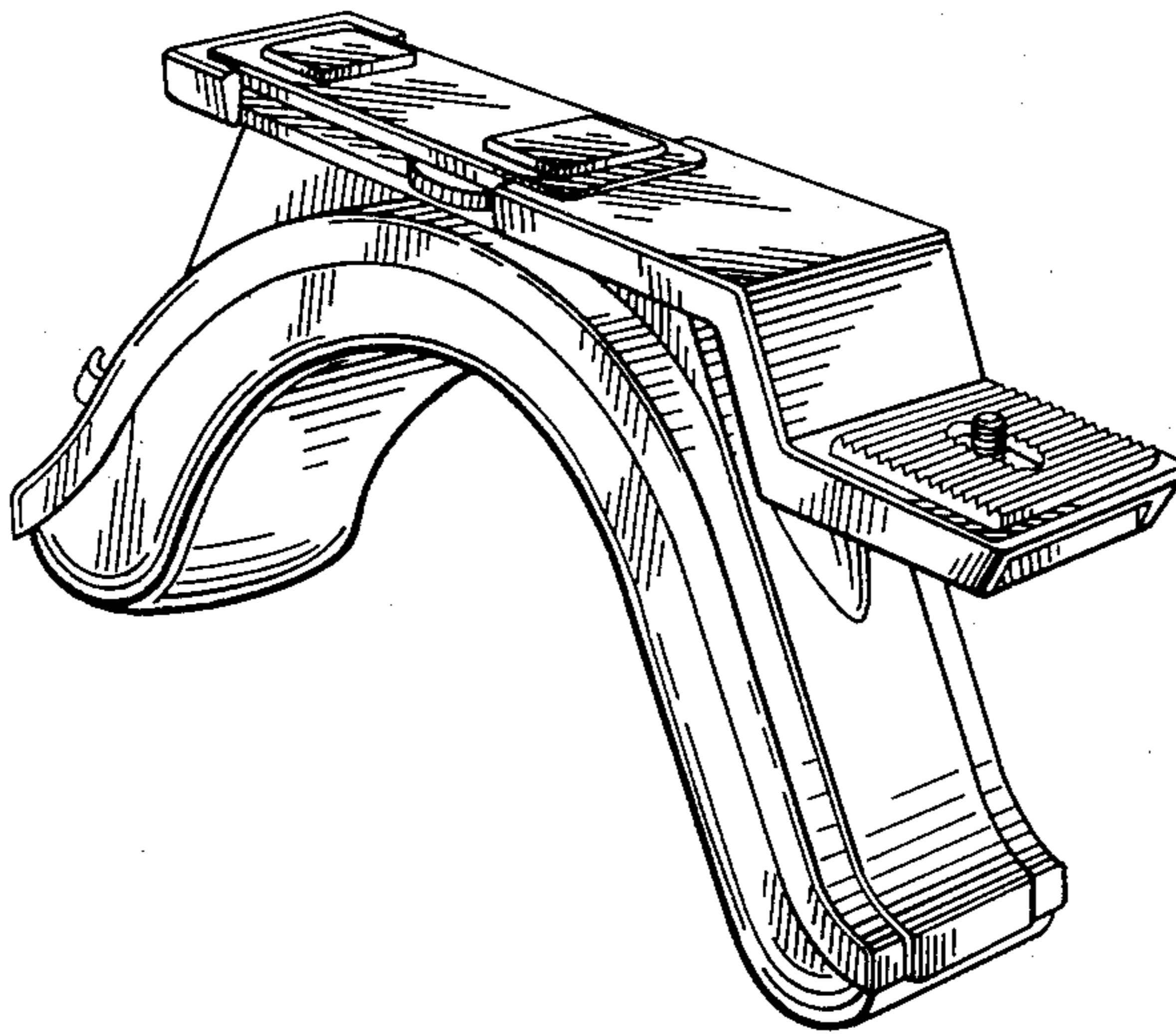
Primary Examiner—Bernard Ansher
Assistant Examiner—Theodore M. Shooman
Attorney, Agent, or Firm—Leydig, Voit & Mayer

[57] CLAIM

The ornamental design for a video camera shoulder rest, as shown.

DESCRIPTION

FIG. 1 is a top, front and left side perspective view of a video camera shoulder rest showing my new design; FIG. 2 is a front elevational view thereof; FIG. 3 is a rear elevational view thereof; FIG. 4 is a top plan view thereof; FIG. 5 is a bottom plan view thereof; FIG. 6 is a left side elevational view thereof; FIG. 7 is a right side elevational view thereof; FIG. 8 is a top plan view of a second embodiment of the shoulder rest of FIG. 1; and FIG. 9 is a left side elevational view of the embodiment disclosed in FIG. 1.



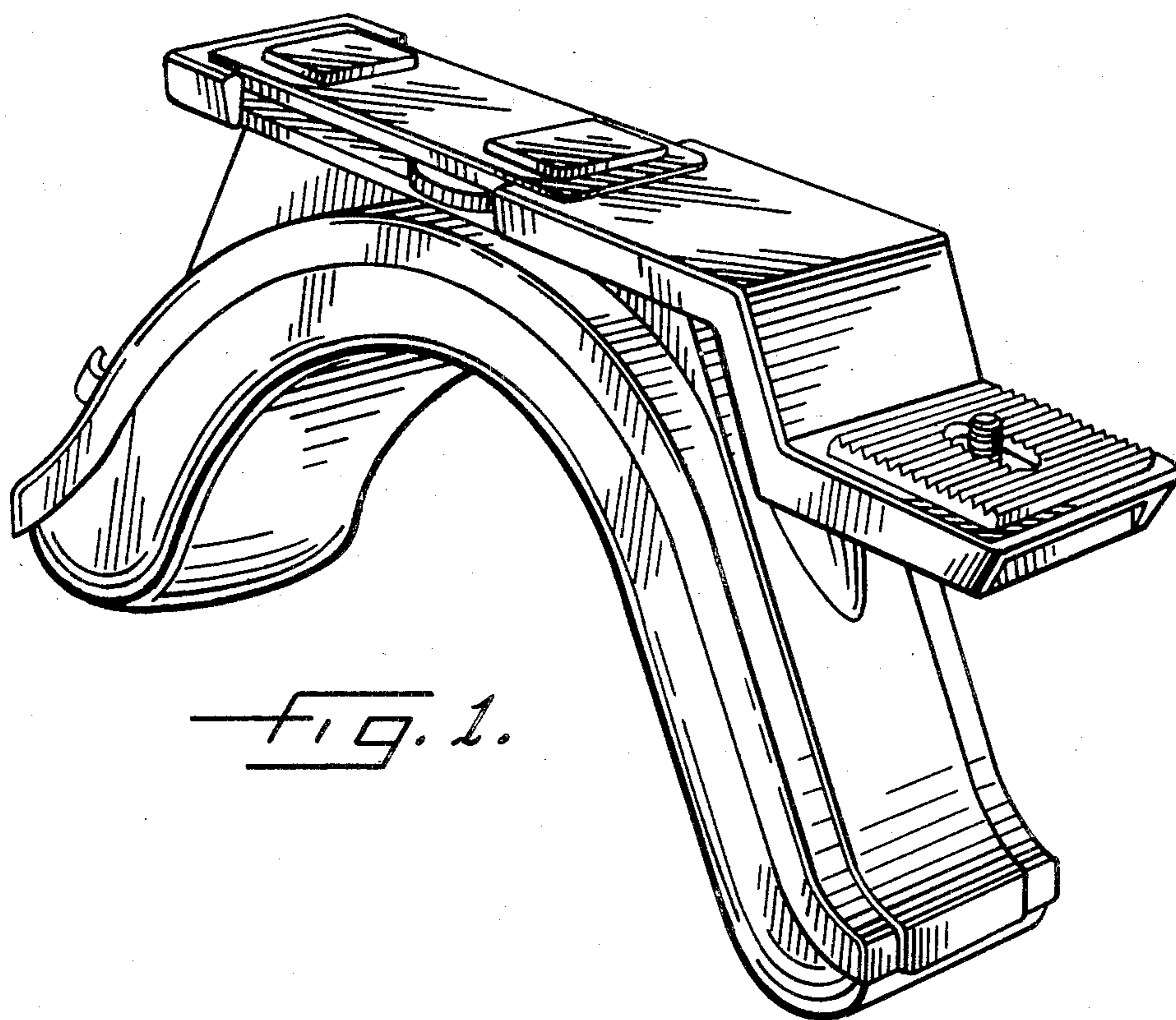


FIG. 1.

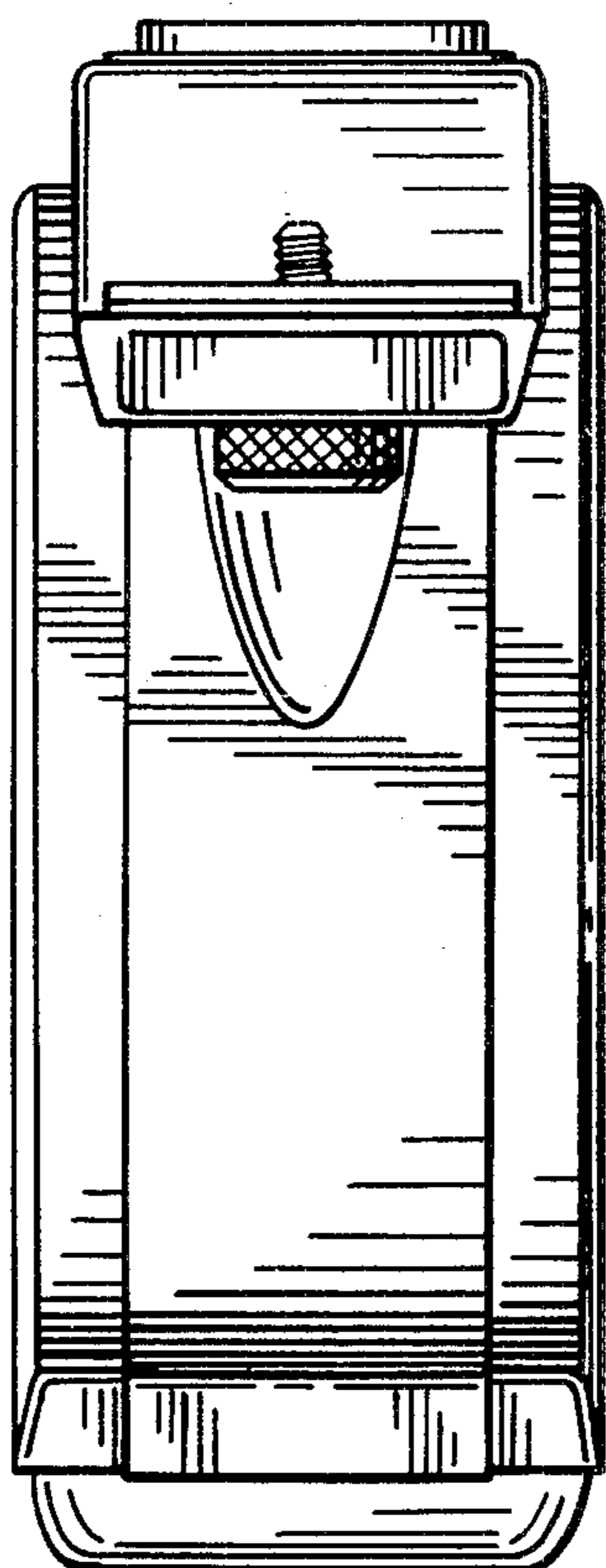


FIG. 2.

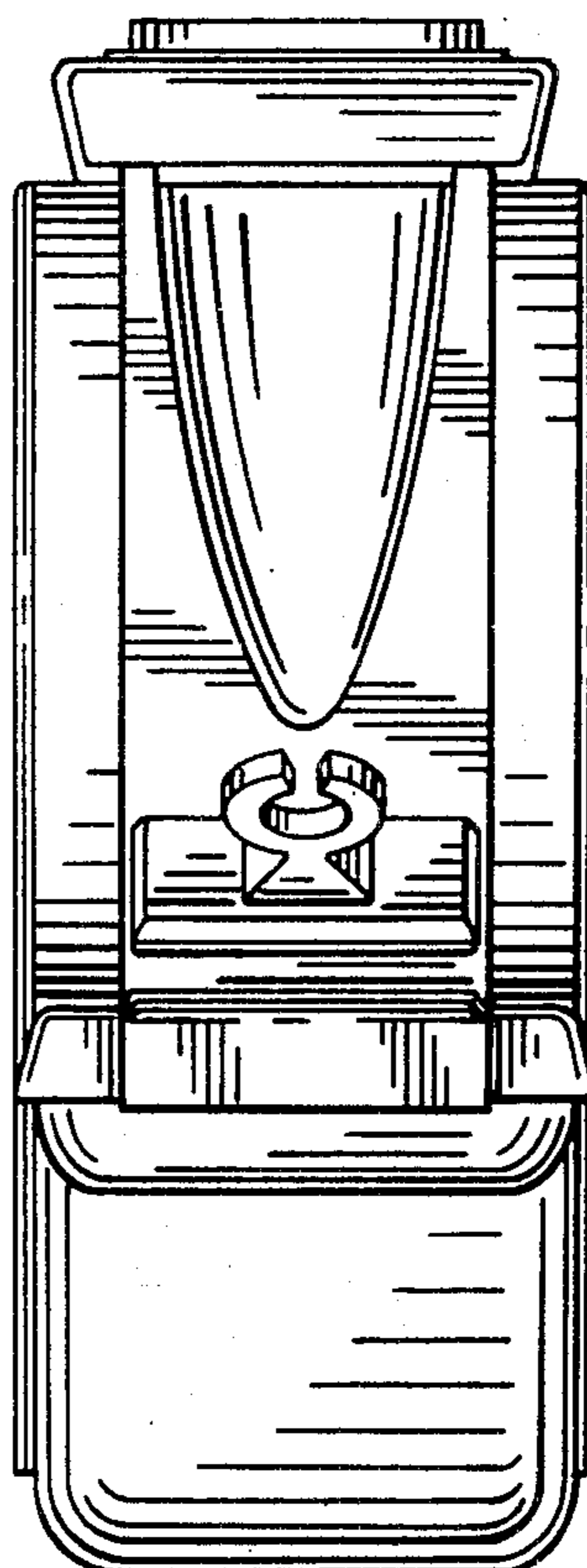


FIG. 3.

FIG. 5.

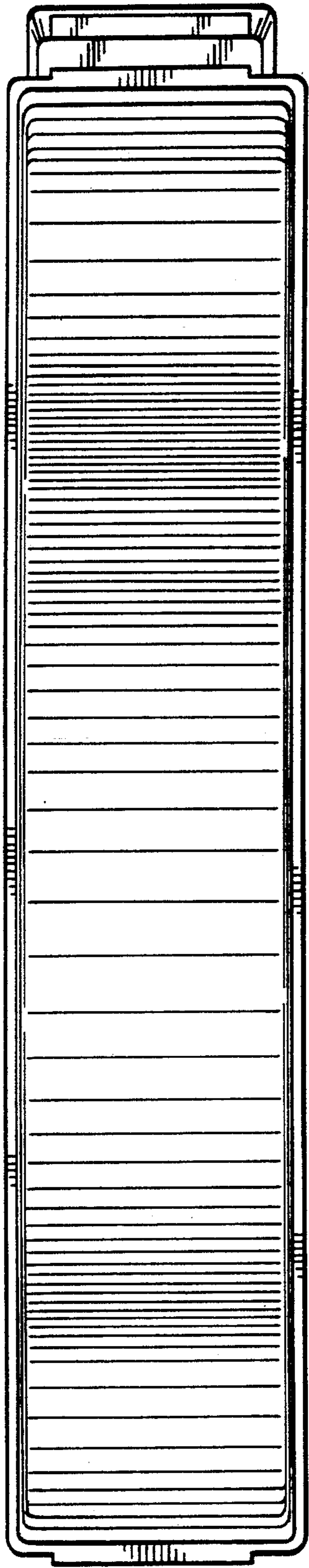


FIG. 4.

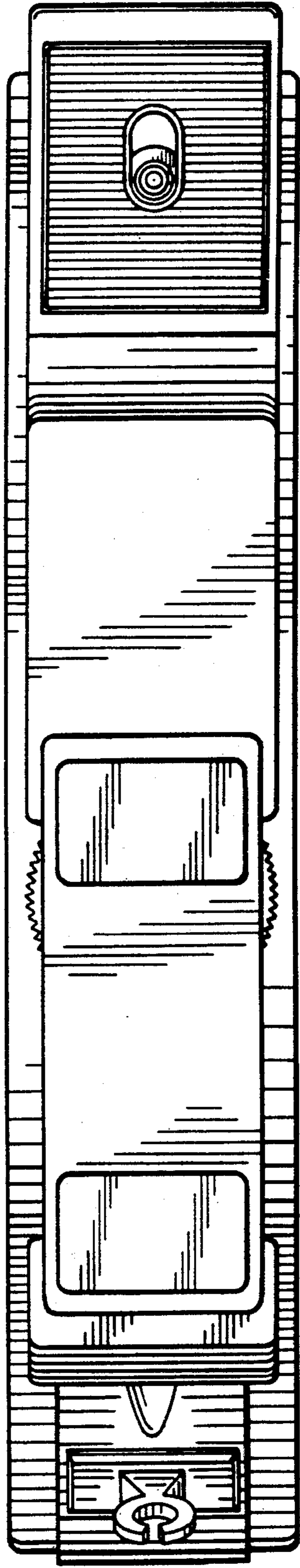


FIG. 6.

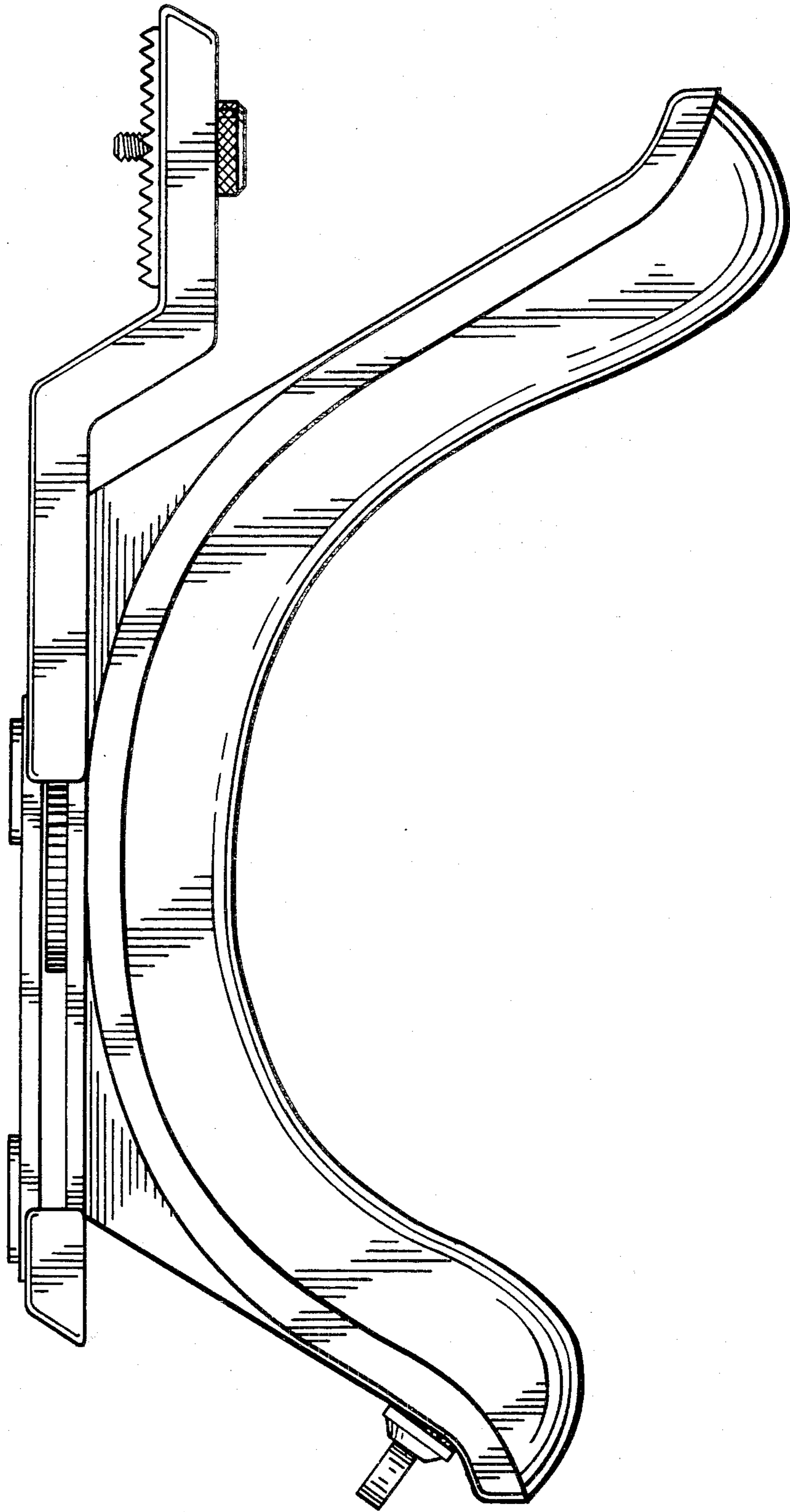
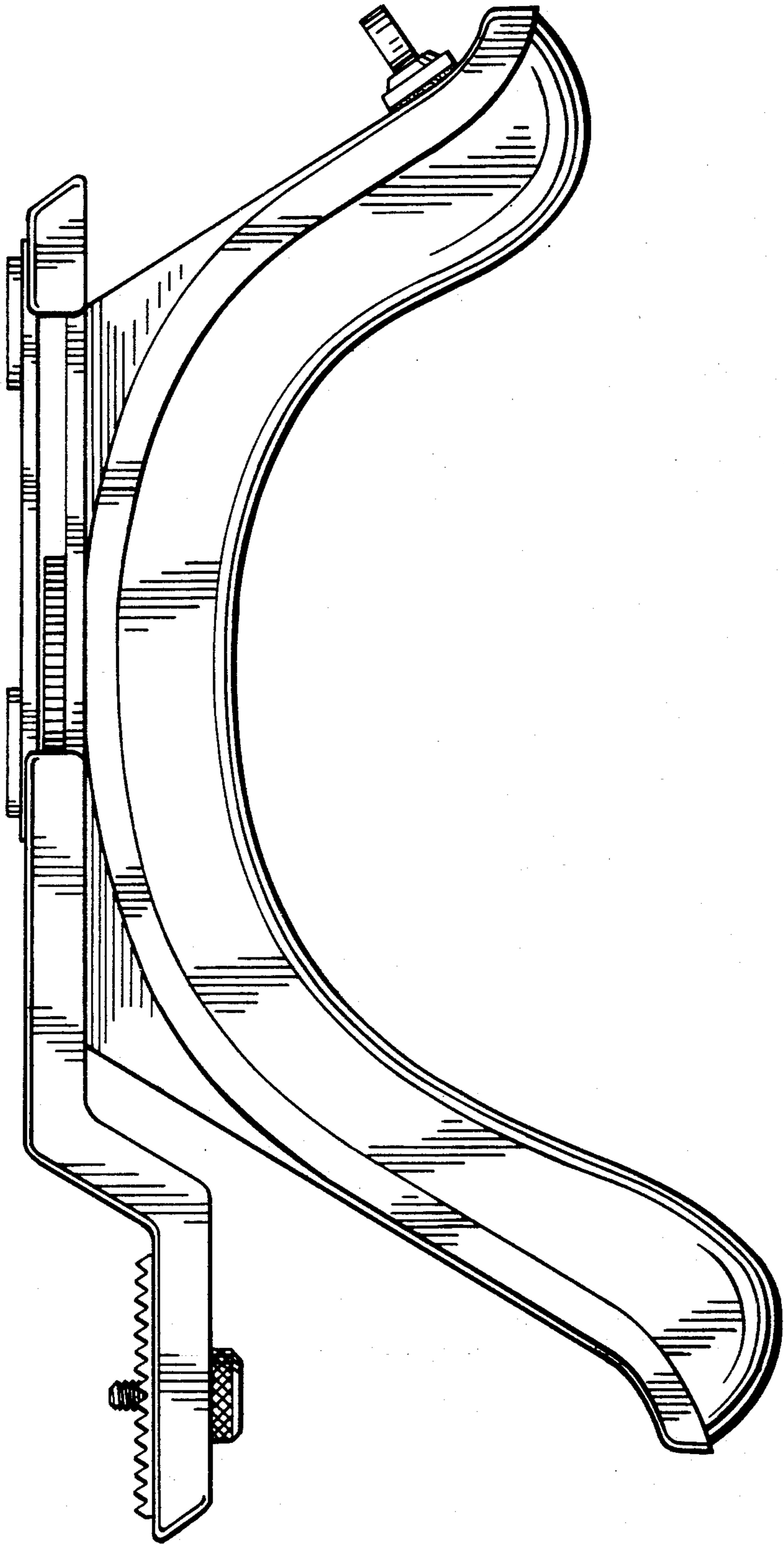


FIG. 7



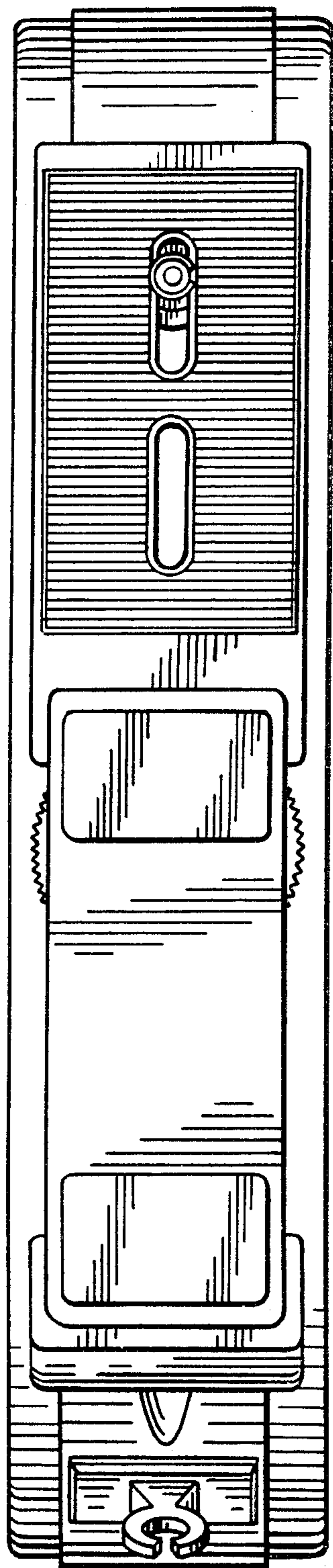


FIG. 8.

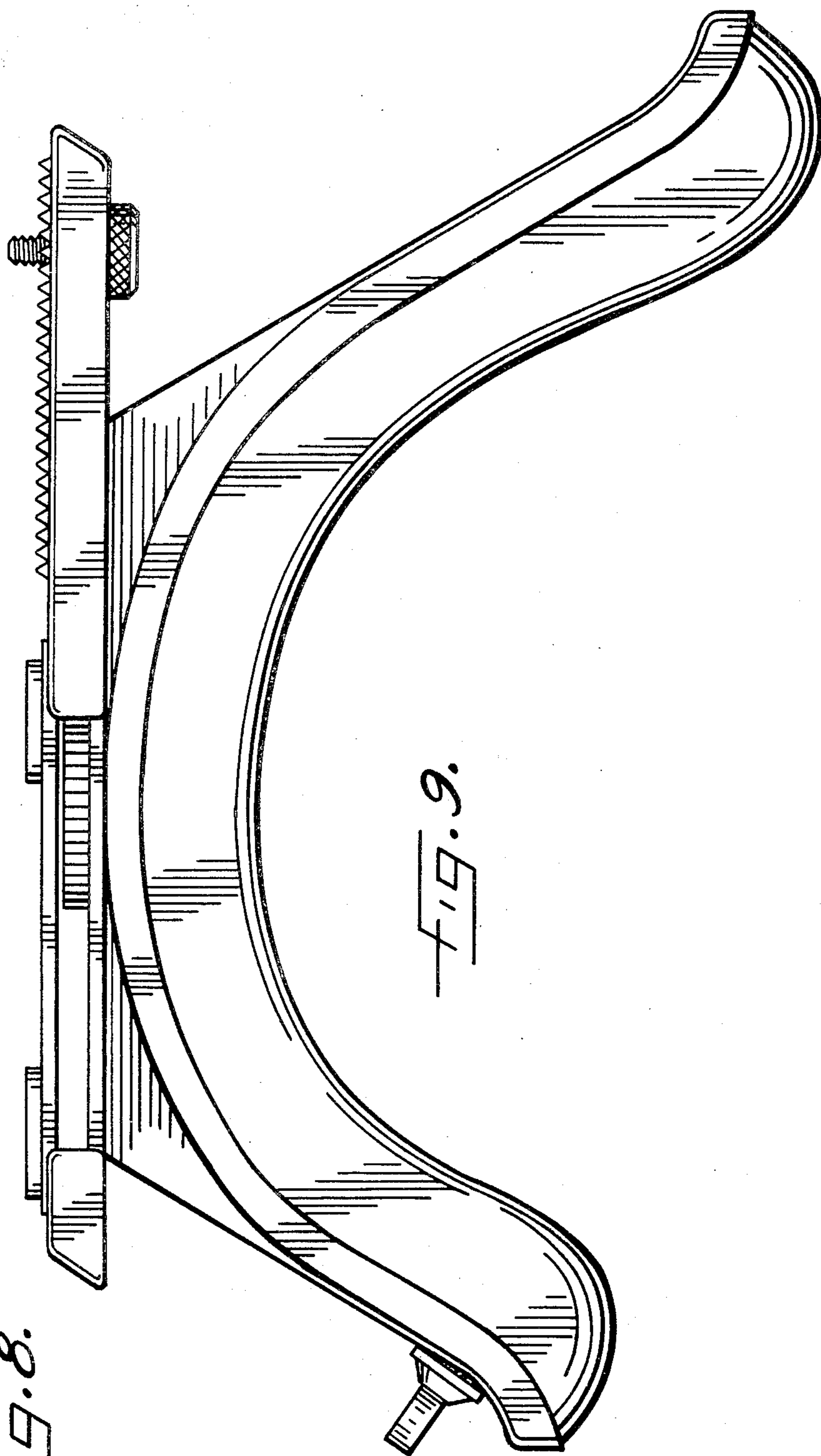


FIG. 9.