

[54] COMBINED VIDEO TAPE RECORDER AND VIDEO CAMERA

[75] Inventors: Takayoshi Inai, Kagawa; Masaharu Katayama, Ehime; Noriyuki Arai, Ehime; Masaki Takemoto, Ehime, all of Japan

[73] Assignee: Matsushita Electric Industrial Co., Ltd., Osaka, Japan

[**] Term: 14 Years

[21] Appl. No.: 622,611

[22] Filed: Jun. 20, 1984

[30] Foreign Application Priority Data

Dec. 20, 1983 [JP] Japan 58-54819

[52] U.S. Cl. D14/78; D14/5

[58] Field of Search D14/1, 2, 6, 77, 78, D14/84, 99; 352/242, 243; 354/293; 358/906

[56] References Cited

U.S. PATENT DOCUMENTS

D. 281,684 12/1985 Hyuga et al. D14/5

OTHER PUBLICATIONS

Video Review, Jun. 1983, p. 56, top right of page.

Evans Catalog 1983/84, p. 331, item 12.

Video Review, Sep. 1982, p. 111.

Primary Examiner—Bernard Ansher

Assistant Examiner—Theodore M. Shooman

Attorney, Agent, or Firm—Sughrue, Mion, Zinn,

Macpeak, and Seas

[57] CLAIM

The ornamental design for a combined video tape recorder and video camera, as shown and described.

DESCRIPTION

FIG. 1 is a front, top and right side perspective view of a combined video tape recorder and video camera showing our new design;

FIG. 2 is a left side elevational view thereof;

FIG. 3 is a top plan view thereof;

FIG. 4 is a bottom plan view thereof;

FIG. 5 is a front elevational view thereof;

FIG. 6 is a rear elevational view thereof; and

FIG. 7 is a front, top and right side perspective view with the view finder rotated 90 degrees.

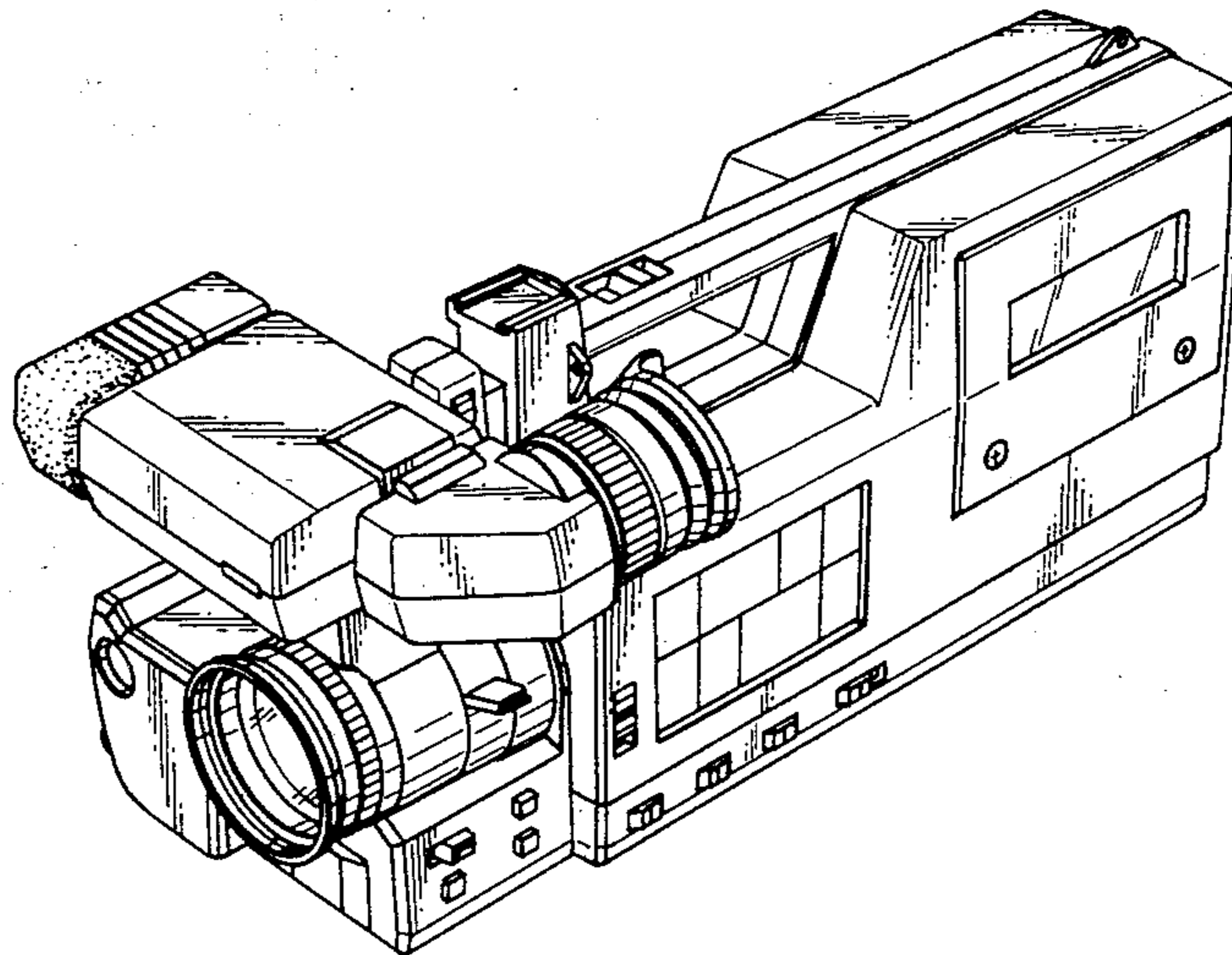


Fig. 1

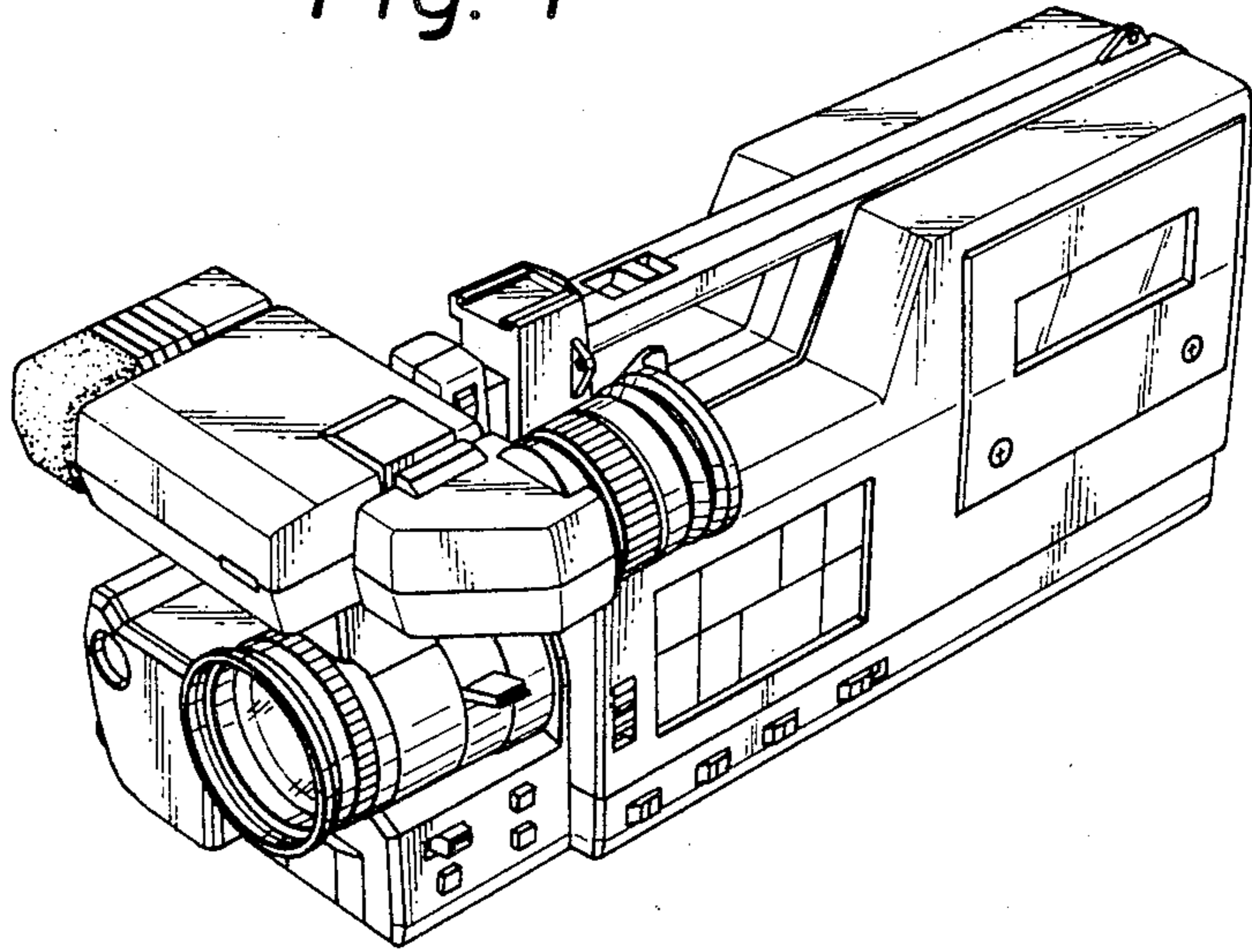


Fig. 2

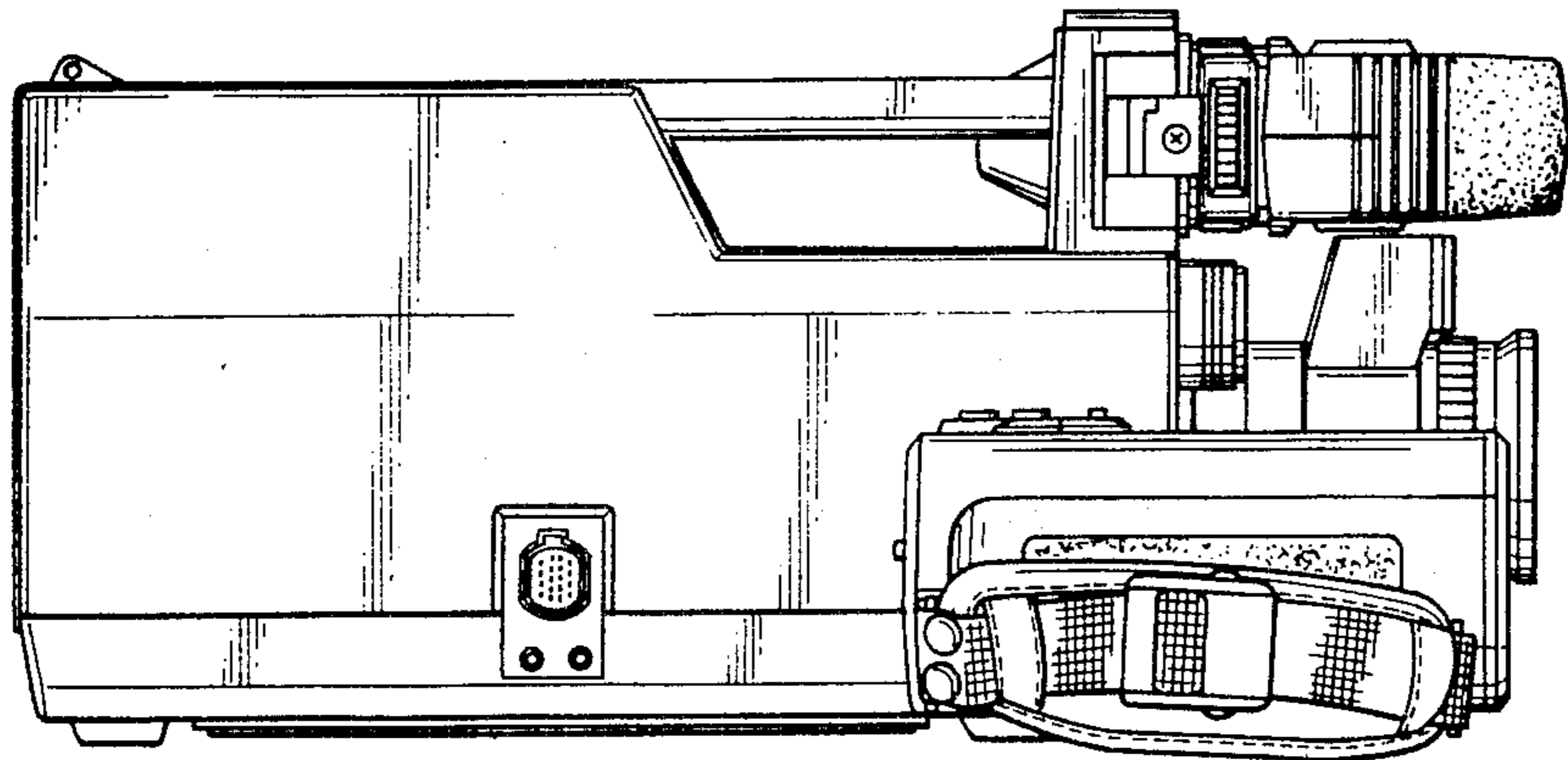


Fig. 3

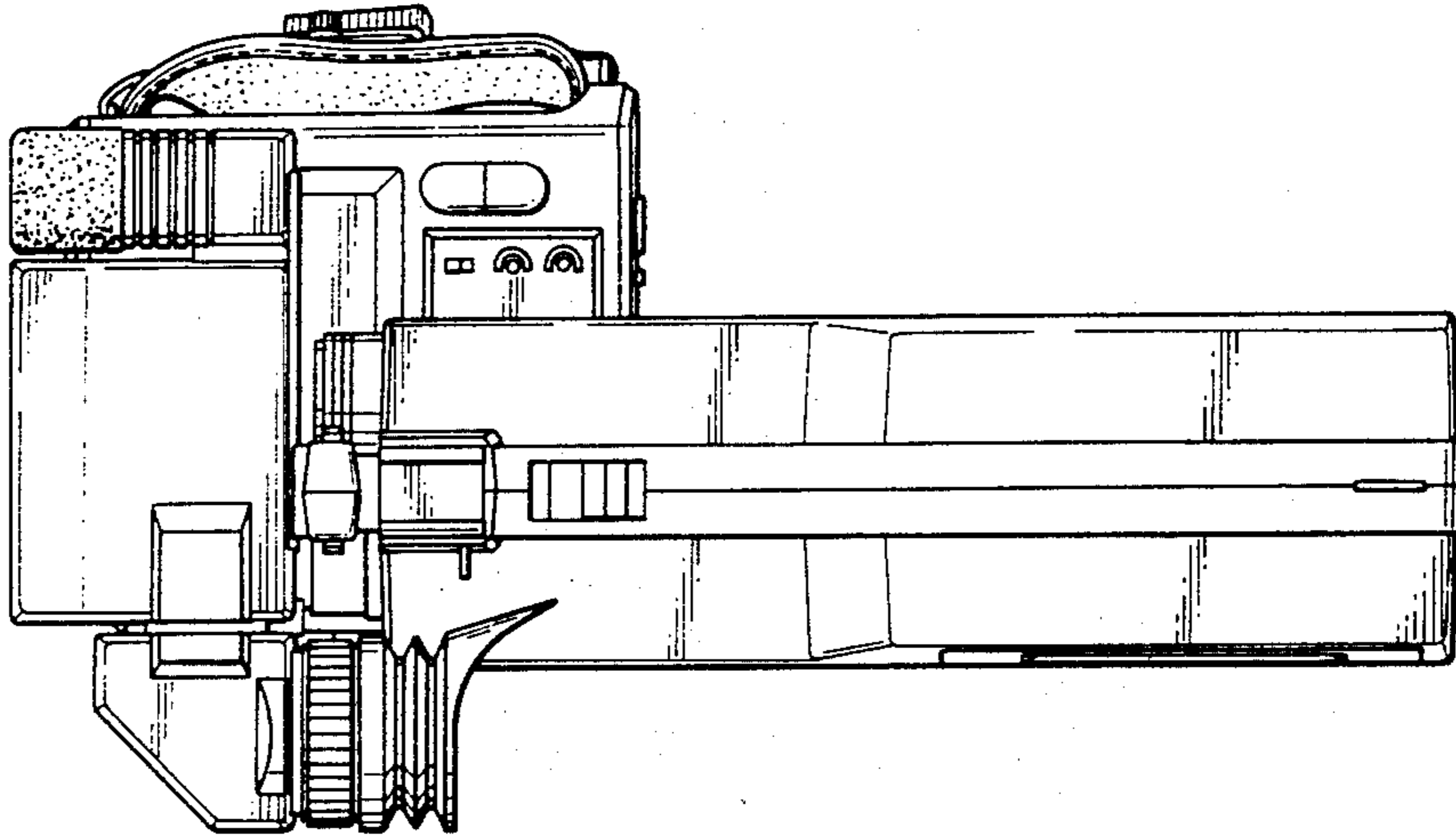


Fig. 4

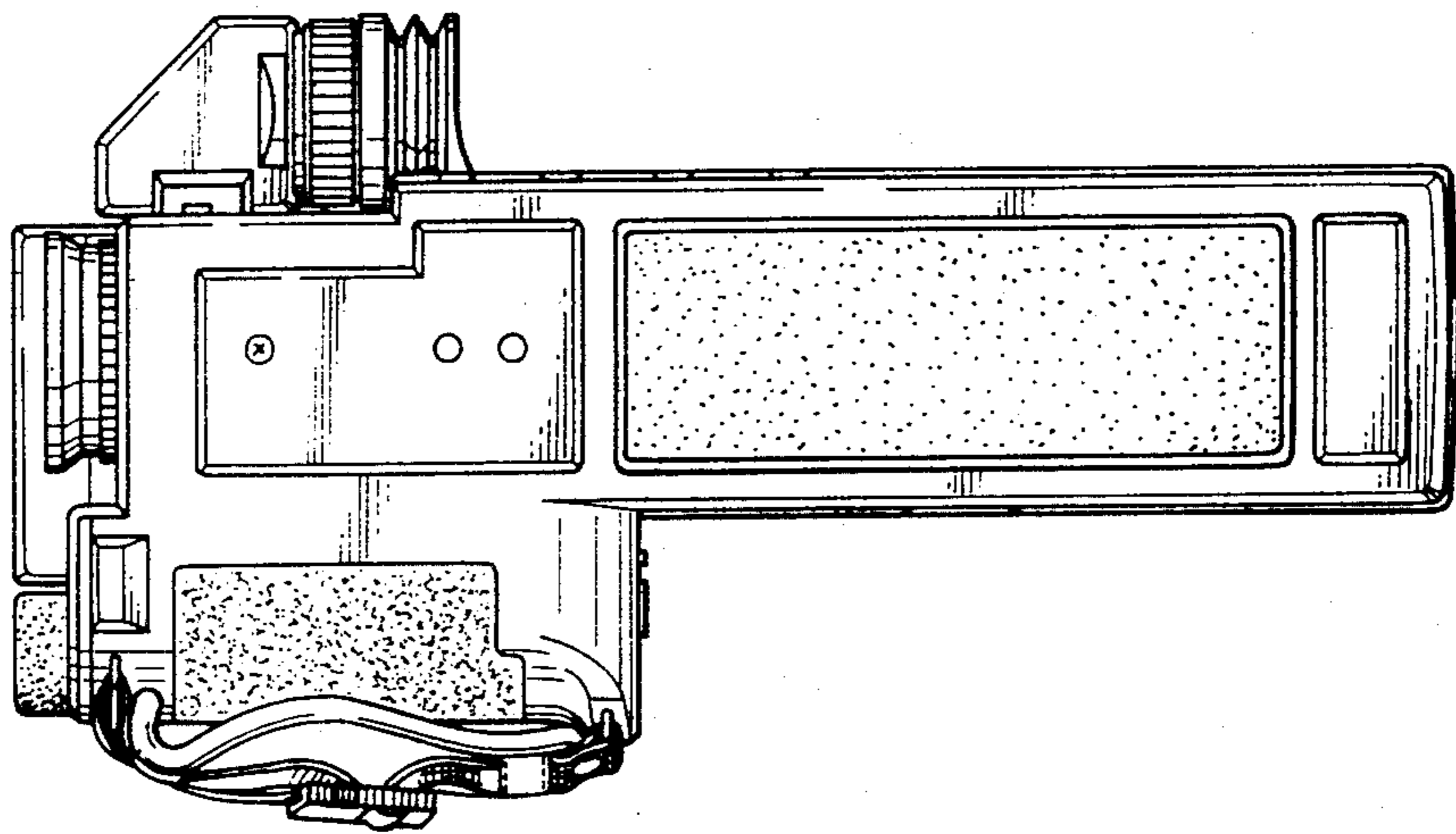


Fig. 5

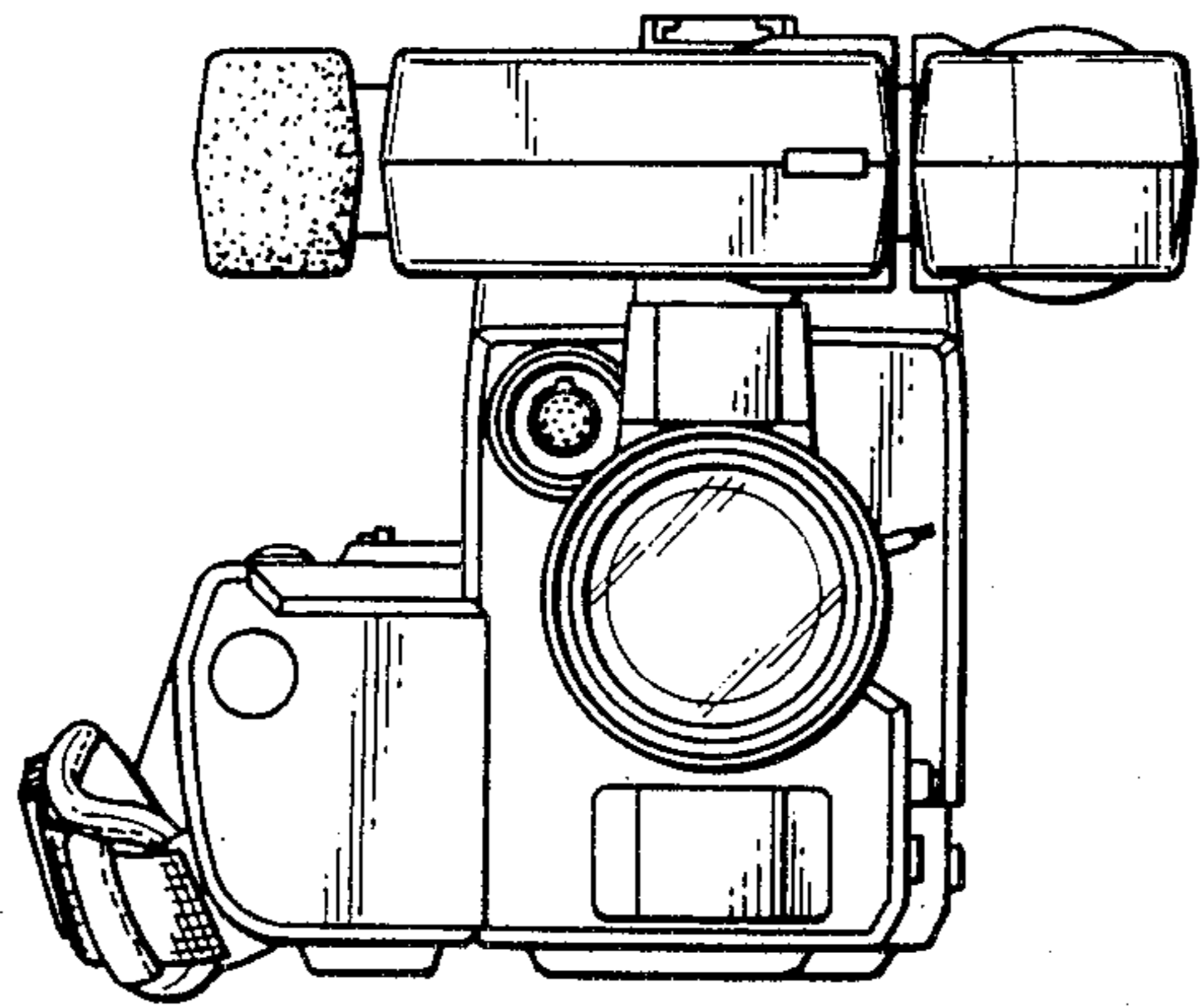


Fig. 6

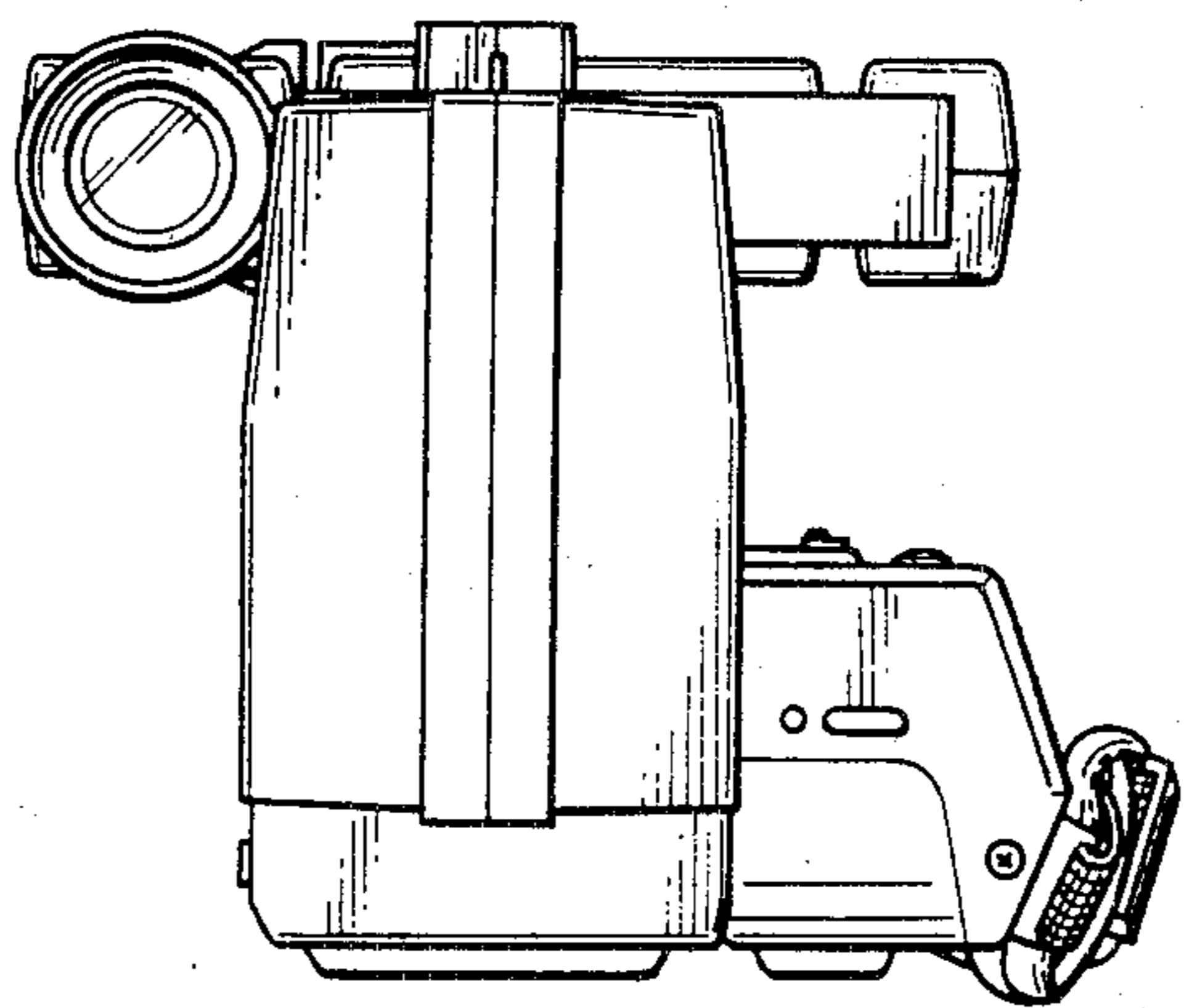


Fig. 7

