

[54] SNAP-ON HANGER COLLAR FOR PIPES AND THE LIKE

[76] Inventor: Dean P. Nead, P.O. Box 265, Plymouth, Calif. 95669

[**] Term: 14 Years

[21] Appl. No.: 641,095

[22] Filed: Aug. 15, 1984

[52] U.S. Cl. D8/356; 248/62; D8/349; D8/380

[58] Field of Search D8/349; 248/62, 56; 52/303, 219

[56] References Cited

U.S. PATENT DOCUMENTS

D. 204,884	5/1966	Waddington	D8/356 X
3,530,899	9/1979	Breeding	248/62
3,848,897	11/1974	McClellan	248/56 X
4,137,602	2/1979	Klumpp, Jr.	248/56 X
4,323,088	4/1982	McClellan	248/56 X
4,517,408	5/1985	Pegram	248/56 X
4,527,140	7/1985	Kimura et al.	248/56 X

Primary Examiner—Wallace R. Burke

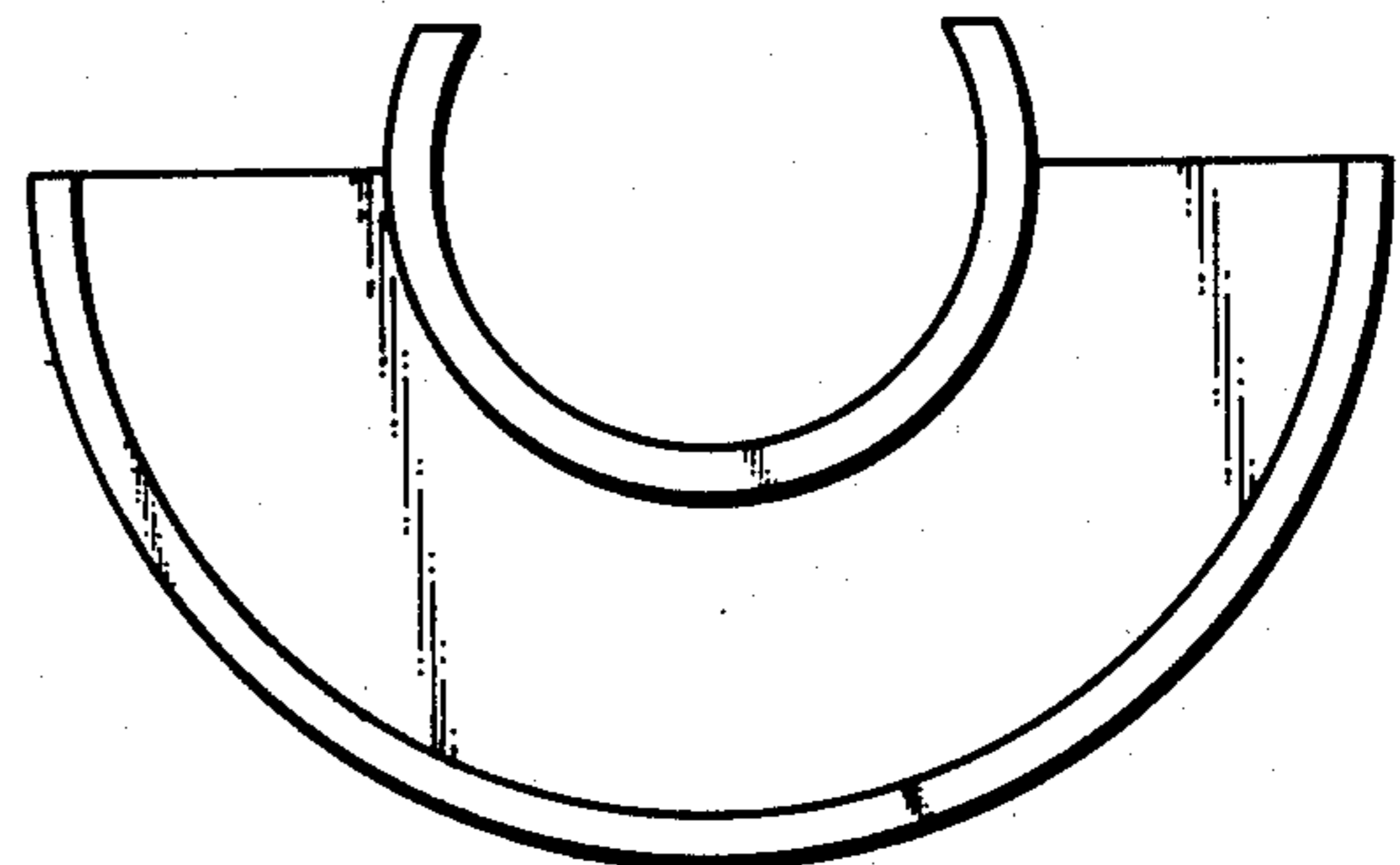
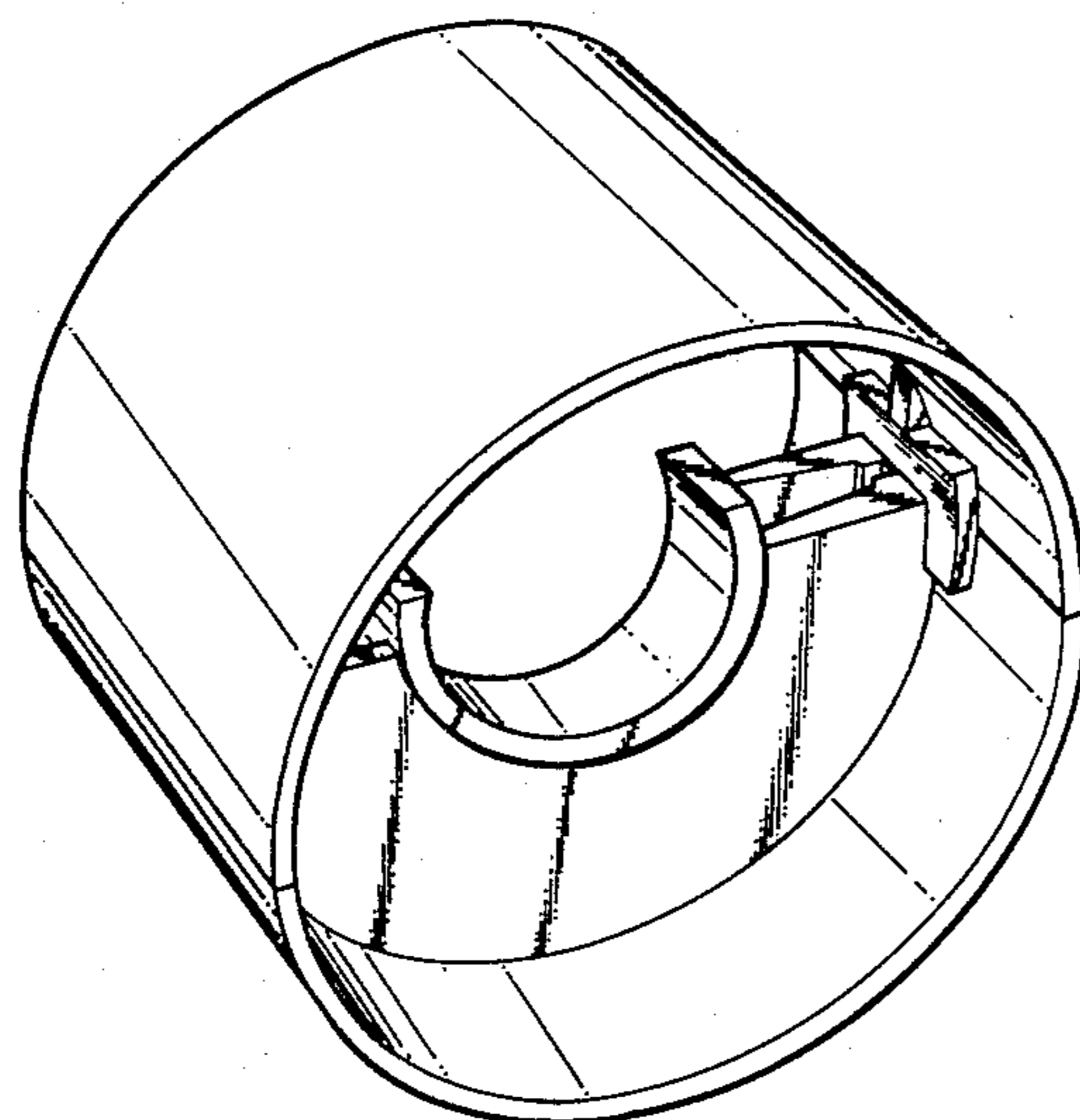
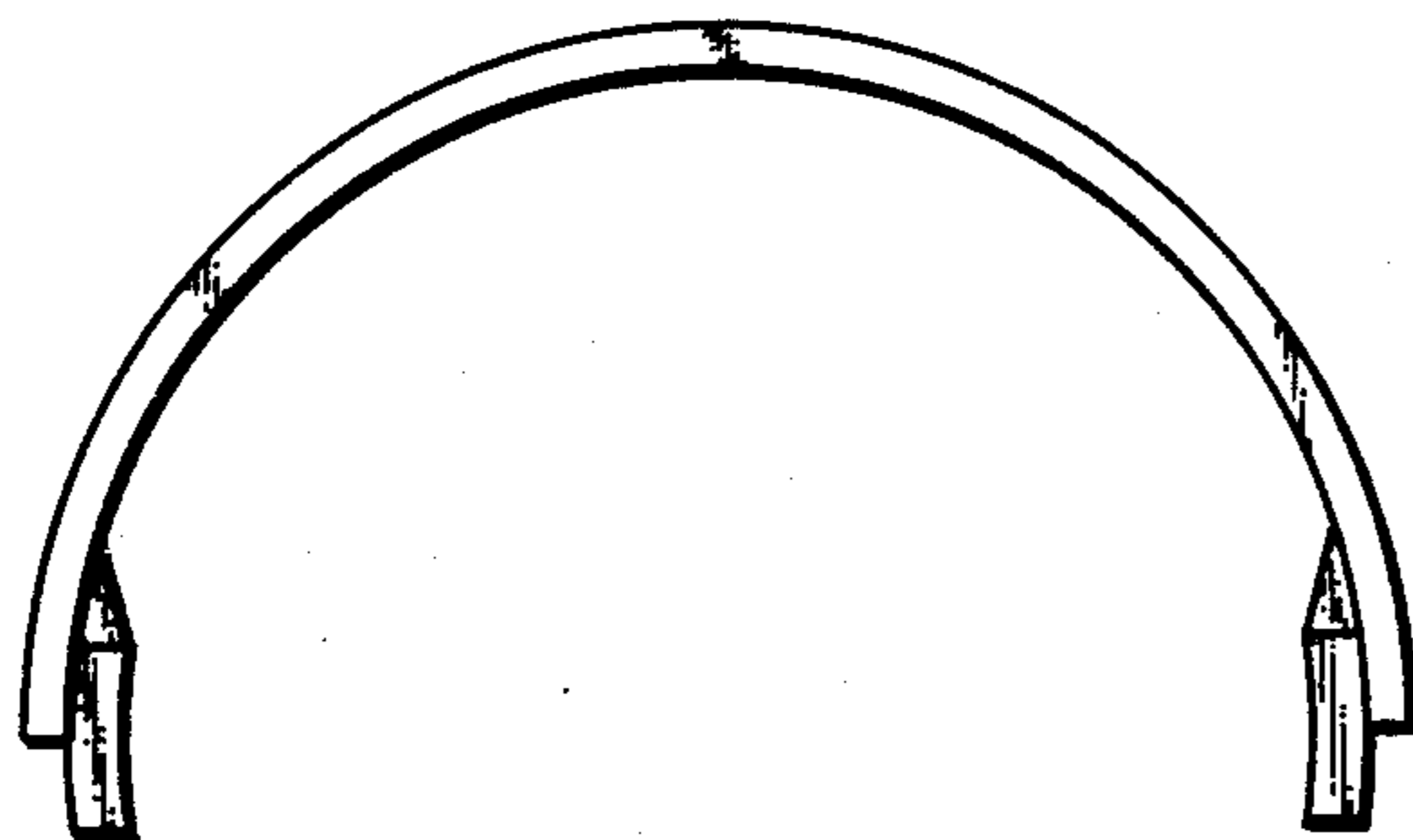
Assistant Examiner—Horace B. Fay
Attorney, Agent, or Firm—Lothrop & West

[57] CLAIM

The ornamental design for a snap-on hanger collar for pipes and the like, as shown and described.

DESCRIPTION

FIG. 1 is a perspective view of a snap-on hanger collar for pipes and the like, showing my new design; FIG. 2 is an end elevational view thereof, the end opposite being a mirror image, it being understood that the arcuate broken line representing a pipe in supported relationship is shown for environmental association purposes only, and forms no part of the design claimed; FIG. 3 is an elevational view of one side, the opposite side being a mirror image thereof; FIG. 4 is a top plan view, the bottom plan view being a mirror image thereof; FIG. 5 is an elevational view of one end of the top half, the opposite end being a mirror image thereof; FIG. 6 is a bottom plan view of the top half thereof; FIG. 7 is an elevational view of one end of the bottom half, the opposite end being a mirror image thereof; and, FIG. 8 is a top plan view of the bottom half hereof.



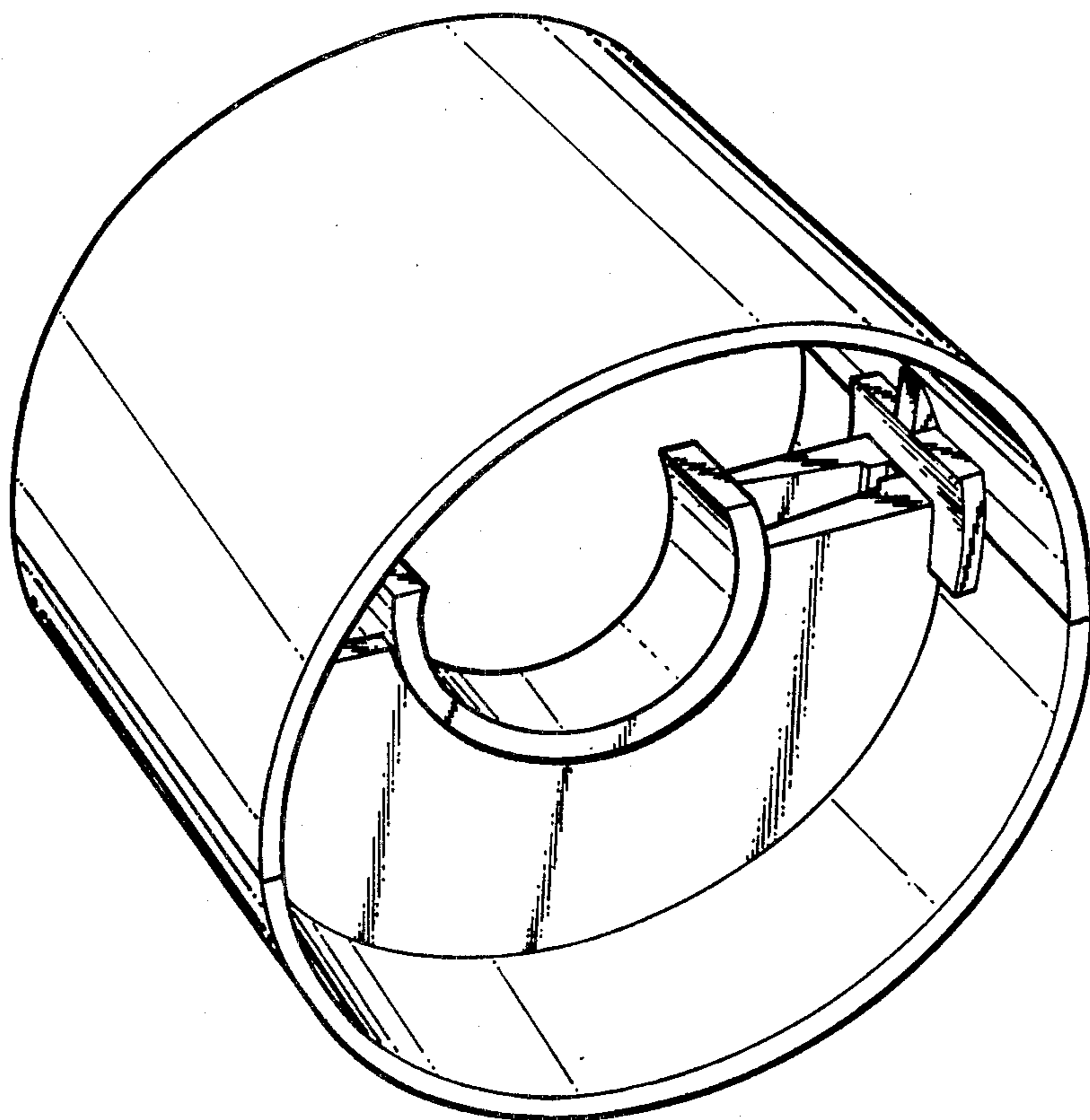


FIG. 1.

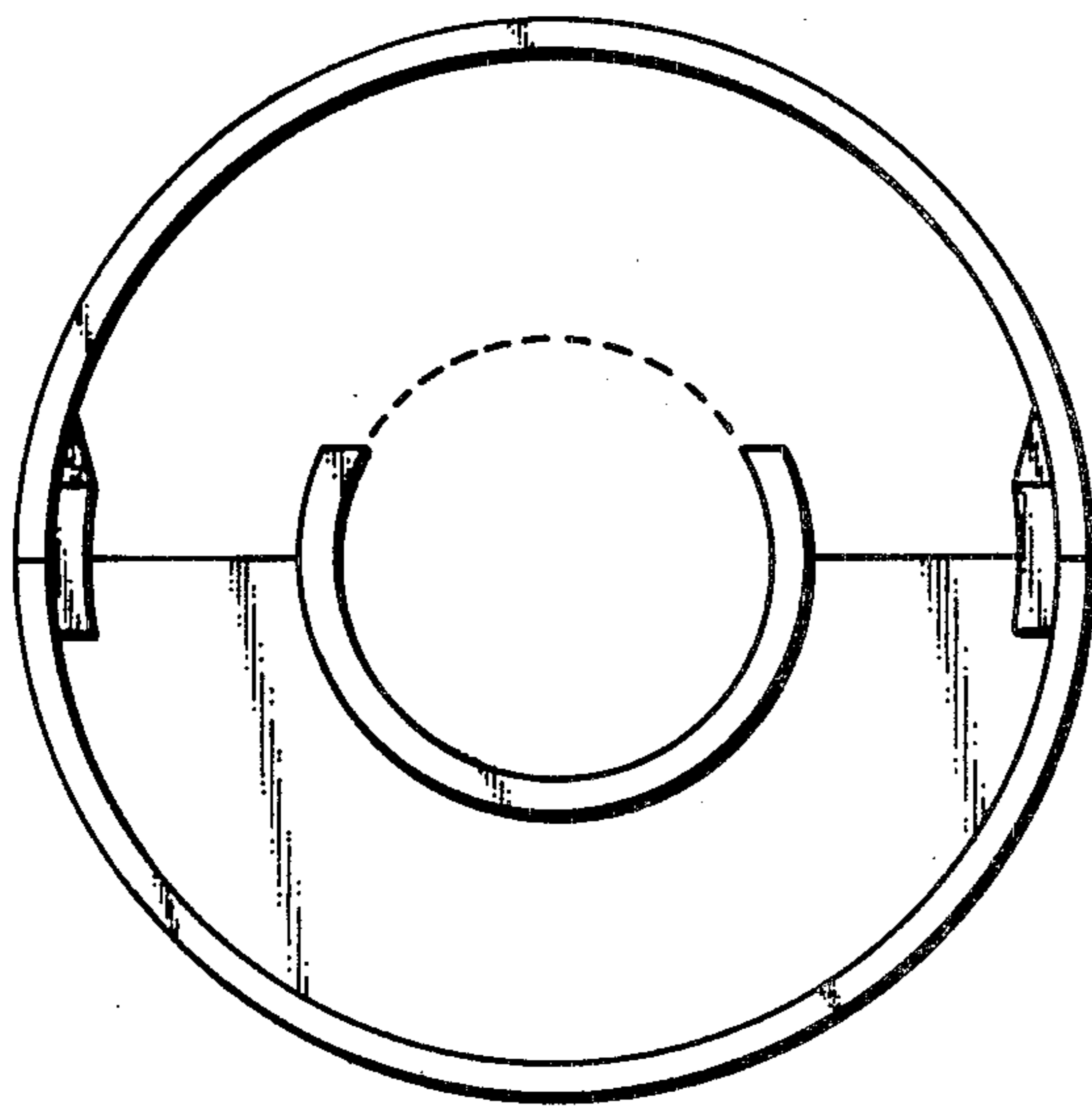


FIG. 2.

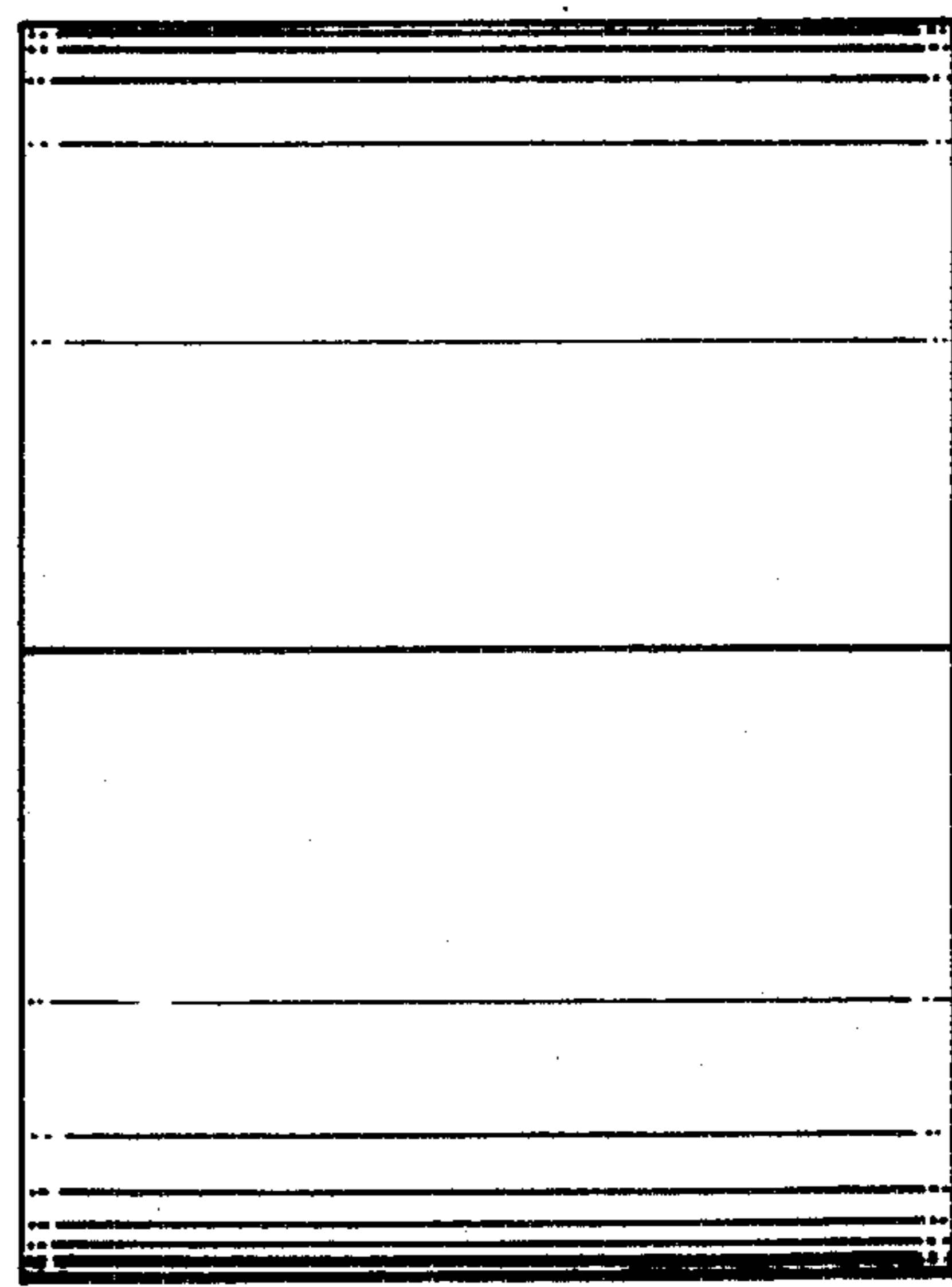


FIG. 3.

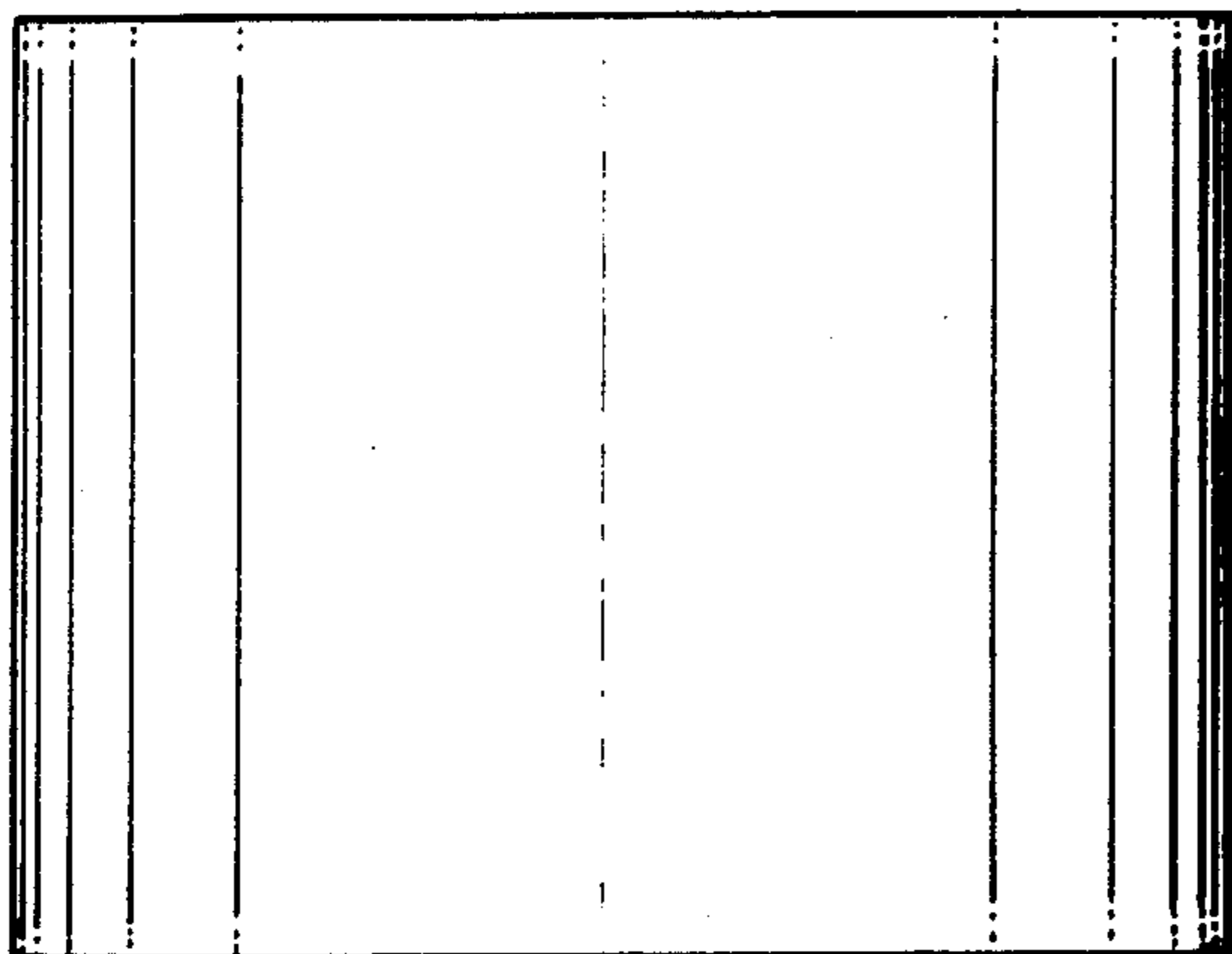


FIG. 4.

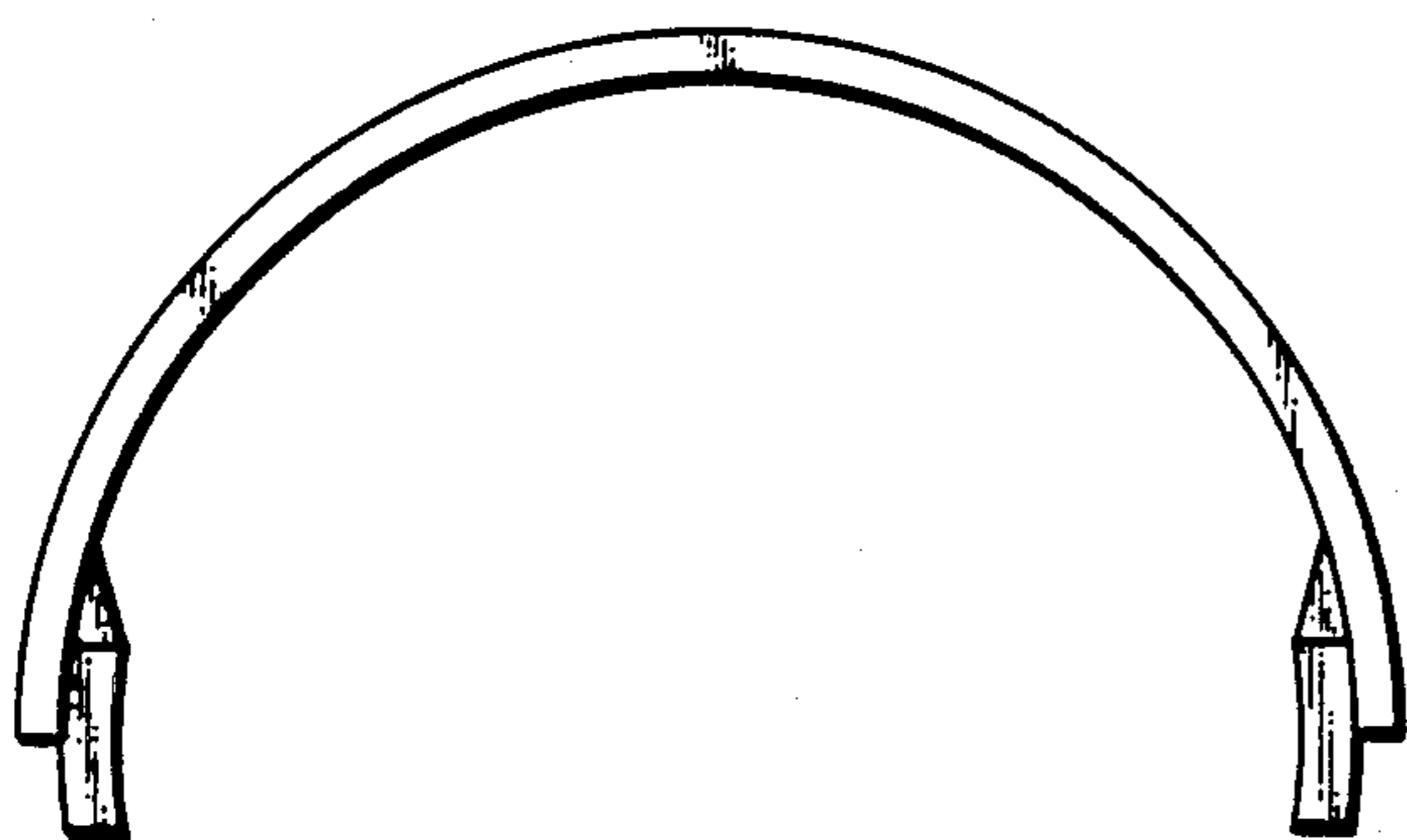


FIG. 5.

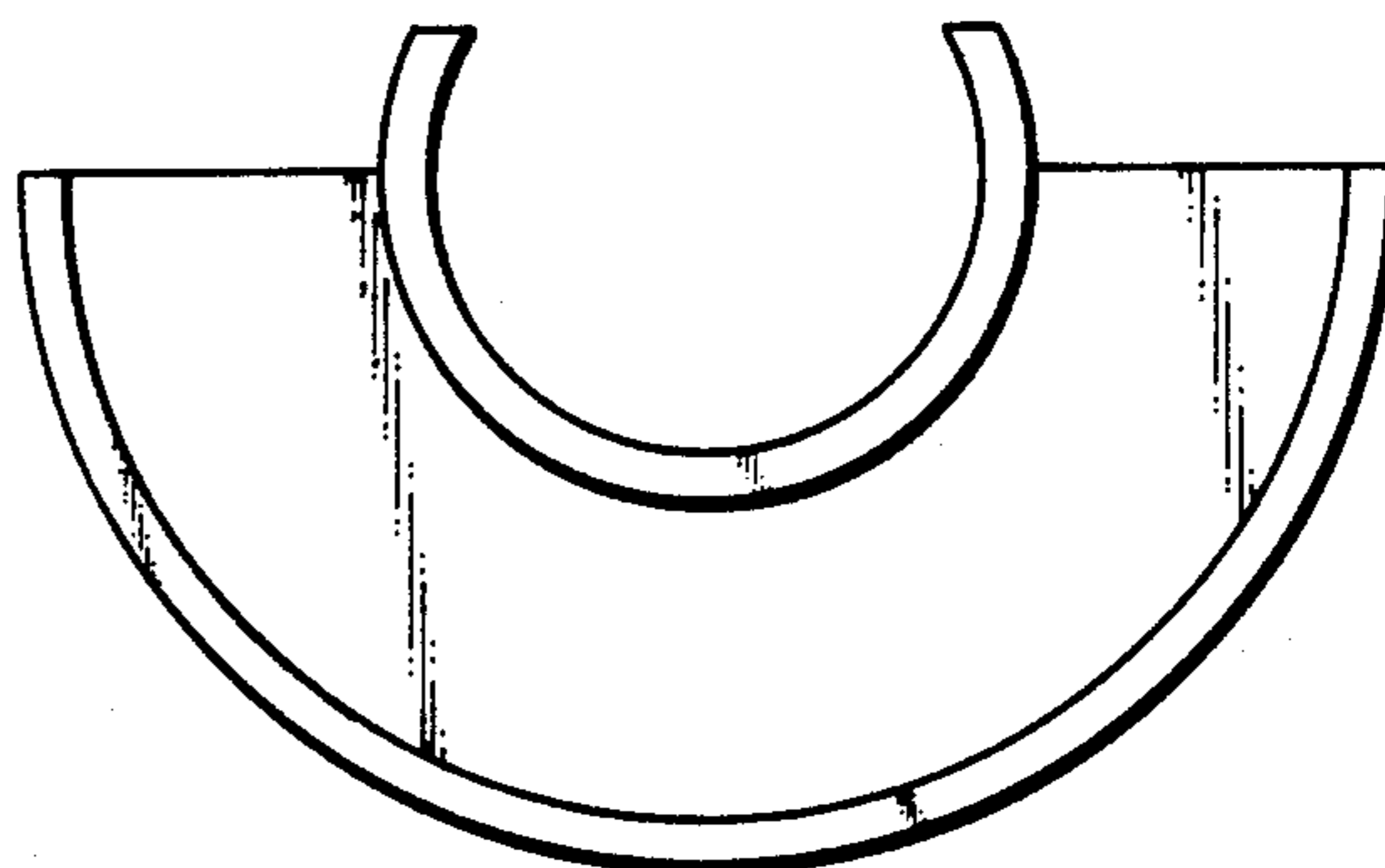


FIG. 7.

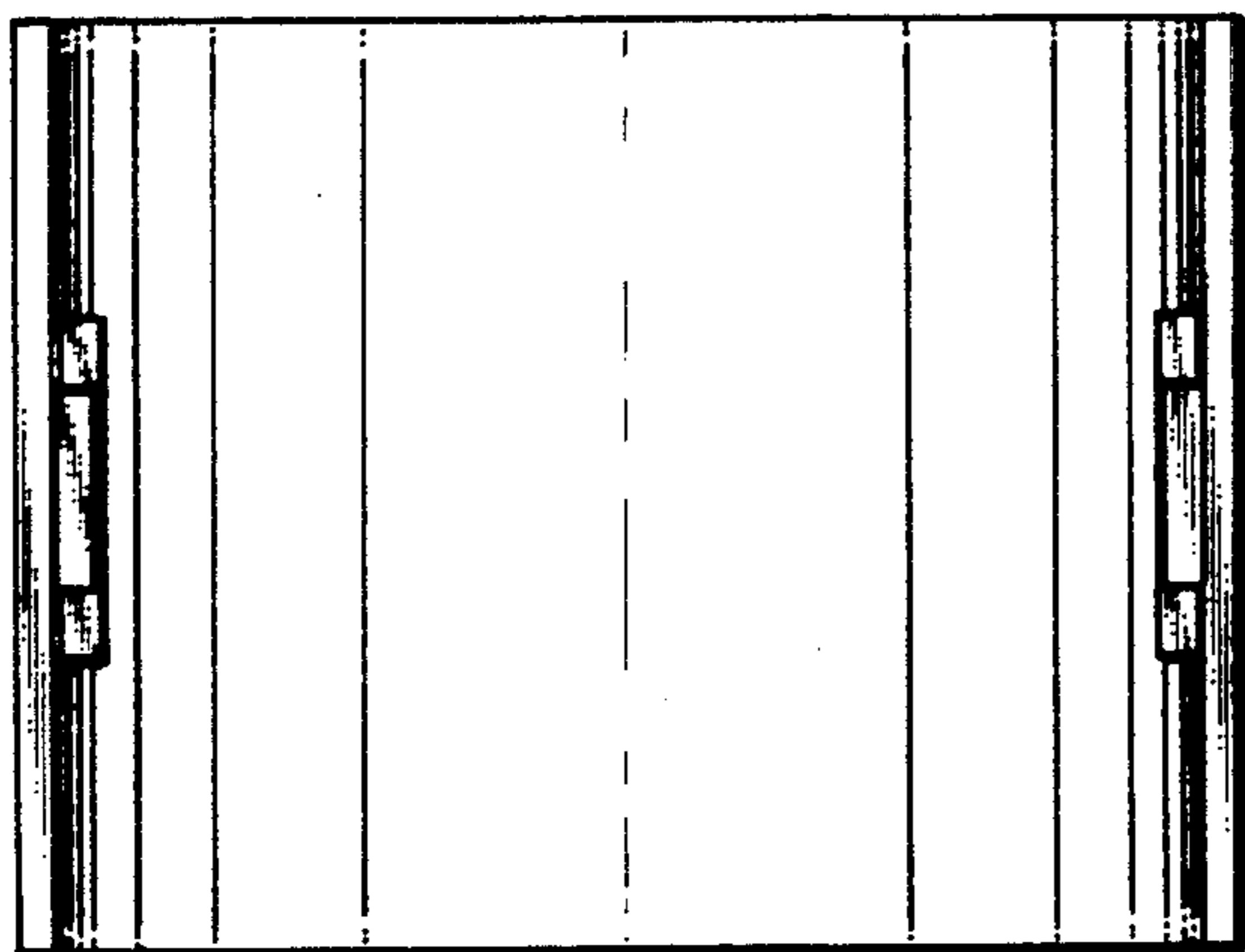


FIG. 6.

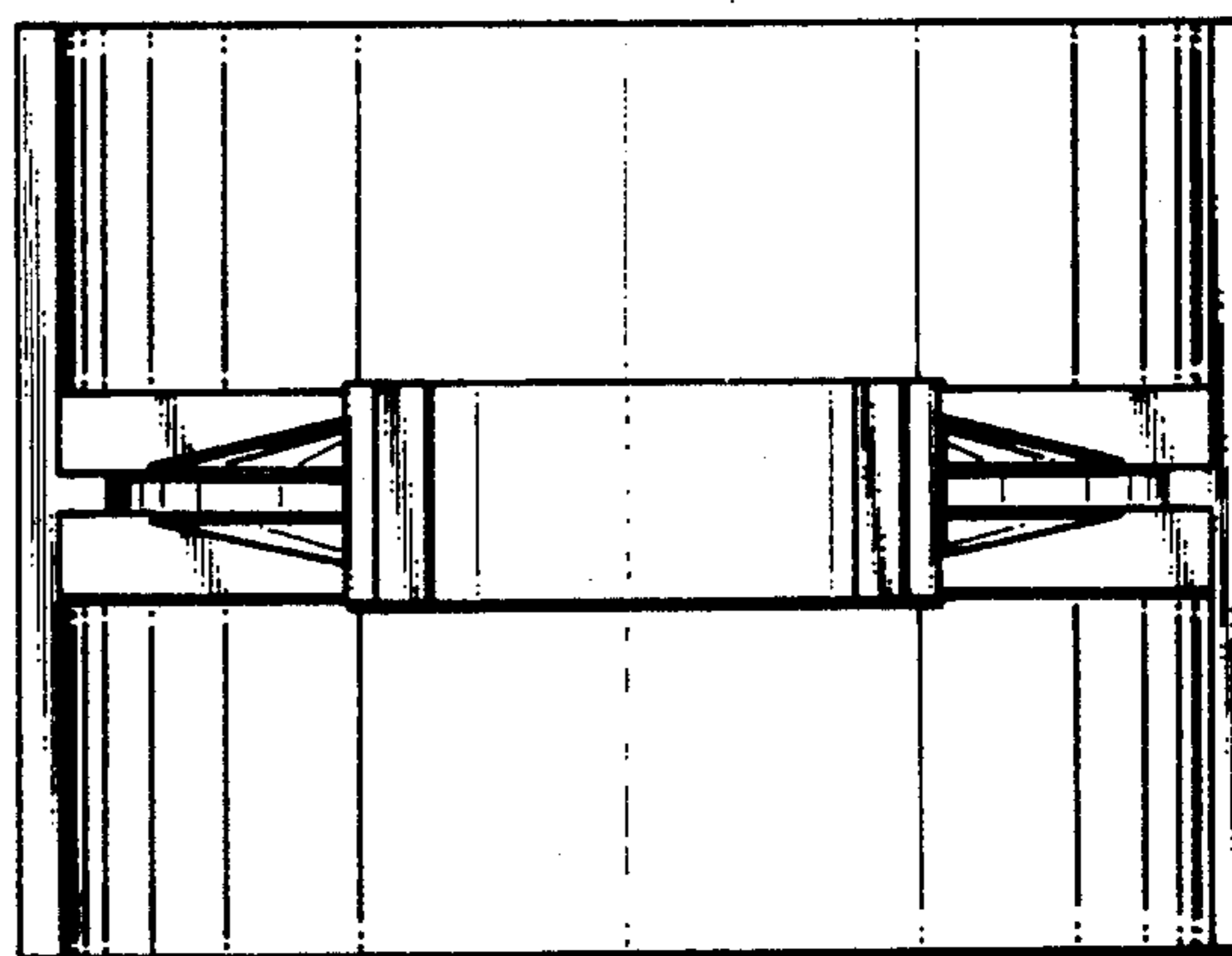


FIG. 8.