

[54] **PNEUMATIC SANDER**

[75] **Inventor: Donald W. Doman, Janesville, Wis.**

[73] **Assignee: Snap-on Tools Corporation, Kenosha, Wis.**

[**] **Term: 14 Years**

[21] **Appl. No.: 686,023**

[22] **Filed: Dec. 24, 1984**

[52] **U.S. Cl. D8/62; D8/68**

[58] **Field of Search D8/61, 68, 62; 173/169, 173/170; 51/134.5 F, 170 R, 170 T**

[56] **References Cited**

U.S. PATENT DOCUMENTS

- D. 205,584 8/1966 Gantz et al. D8/62
- D. 254,771 4/1980 Taylor et al. D8/64
- 2,944,581 7/1960 Shymanski 173/169
- 3,924,961 12/1975 Hess et al. 173/169

- 4,059,930 11/1977 Alessio 51/170 T
- 4,380,270 4/1983 Ludwig 51/170 T

OTHER PUBLICATIONS

Photographs of predecessor tool of Snap-on Tools Corporation, Model No. AT-425, (undated).

Primary Examiner—B. J. Bullock
Attorney, Agent, or Firm—Emrich & Dithmar

[57] **CLAIM**

The ornamental design for a pneumatic sander, as shown and described.

DESCRIPTION

FIG. 1 is a top plan view of a pneumatic sander showing my new design;

FIG. 2 is a right side elevational view thereof, the left side being a mirror image;

FIG. 3 is a rear elevational view thereof;

FIG. 4 is a front elevational view thereof; and

FIG. 5 is a bottom plan view thereof.

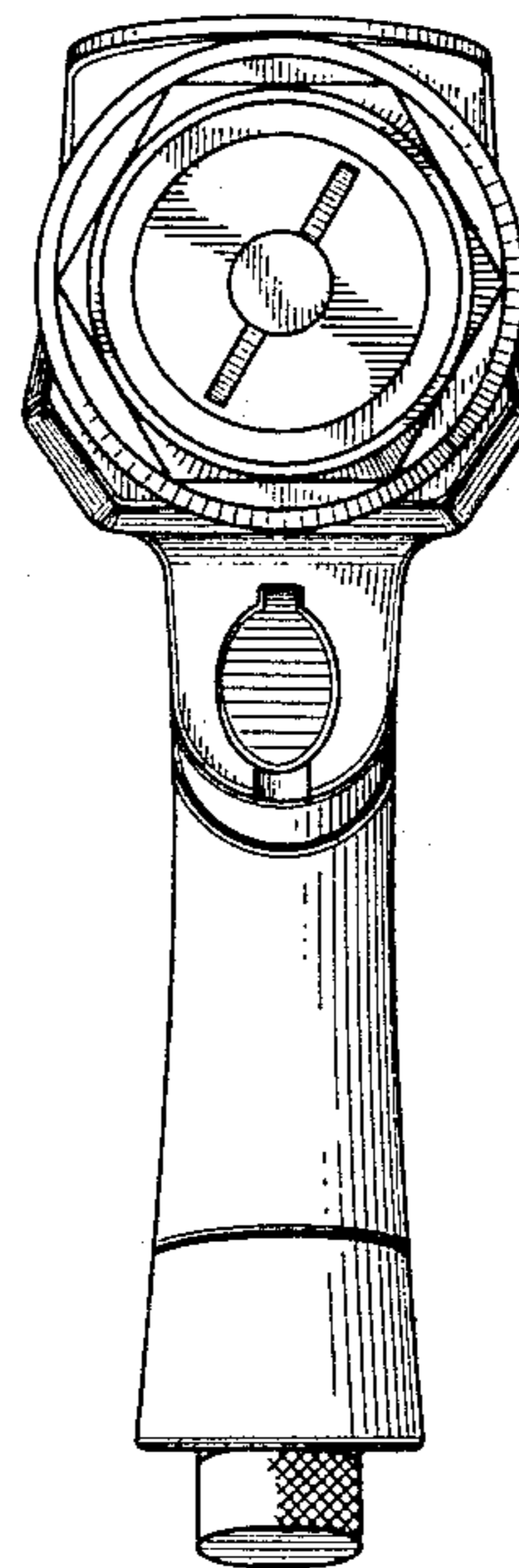
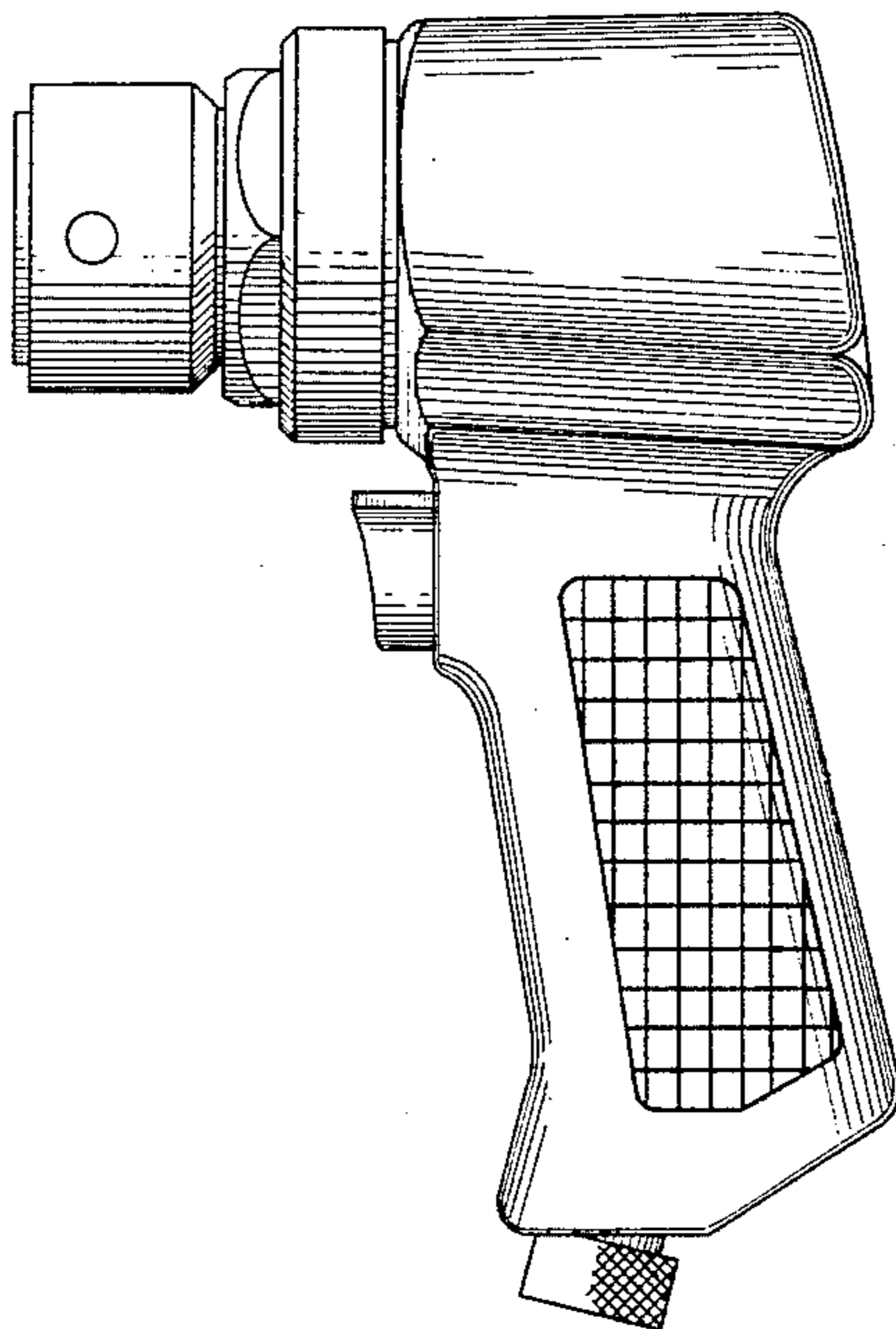


Fig 1

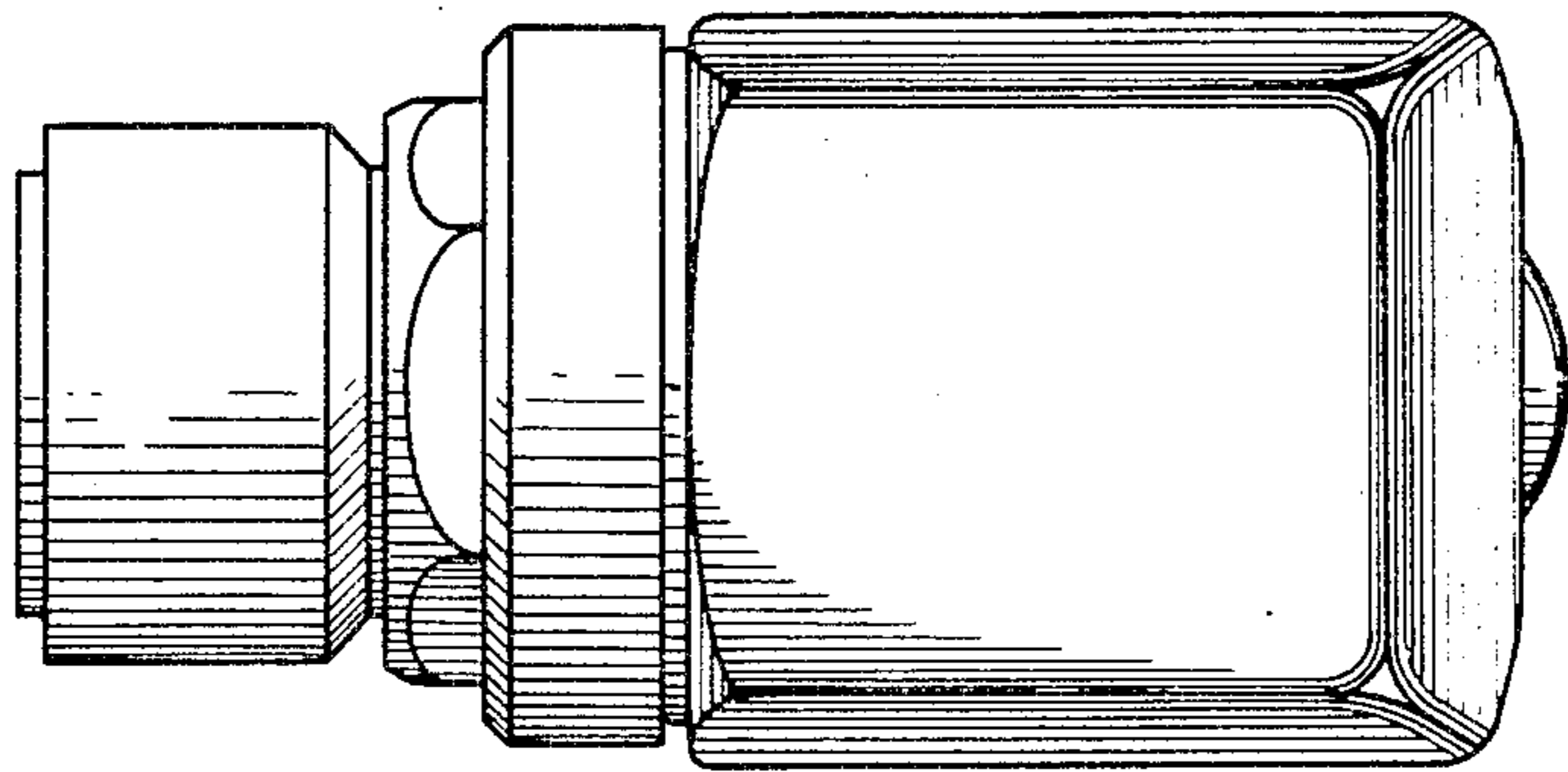


Fig 2

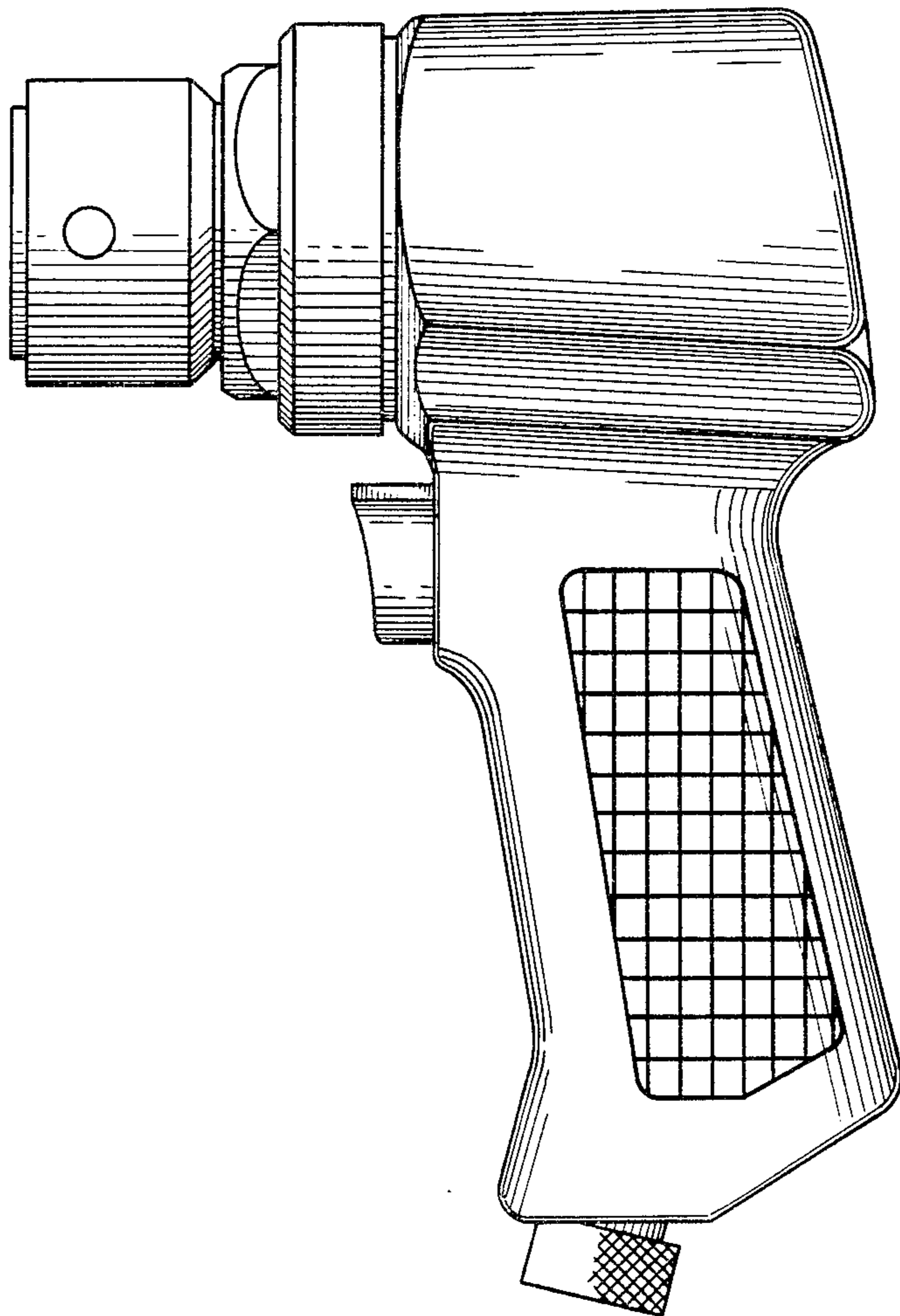


Fig 3

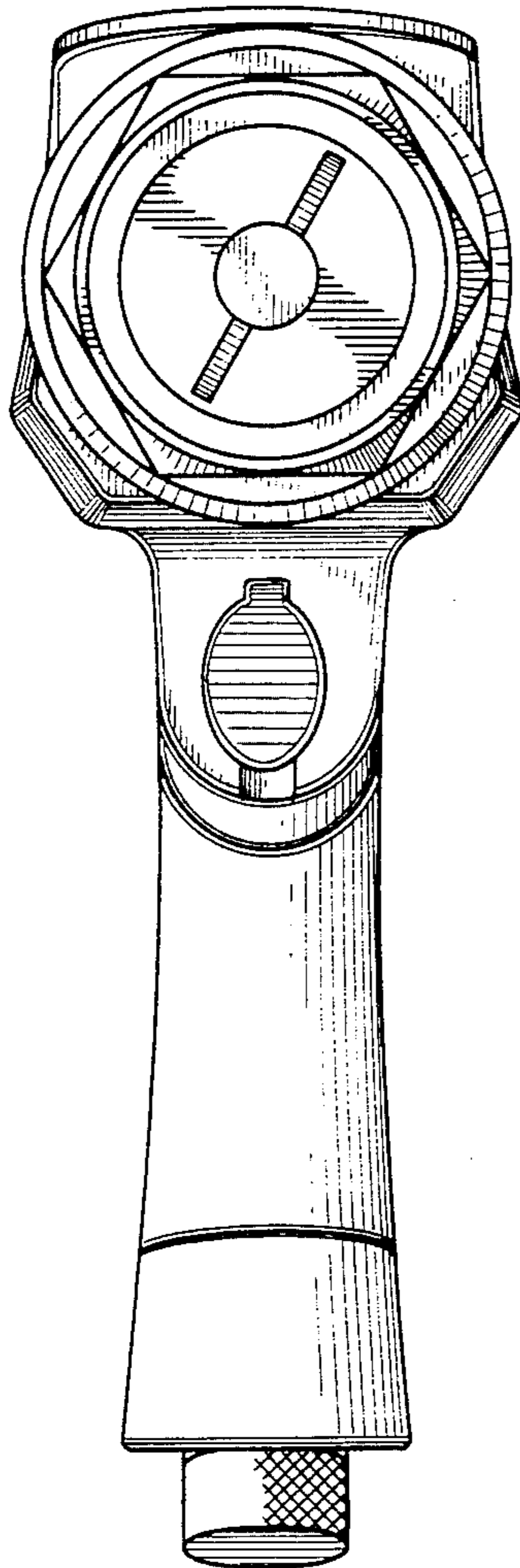


Fig 4

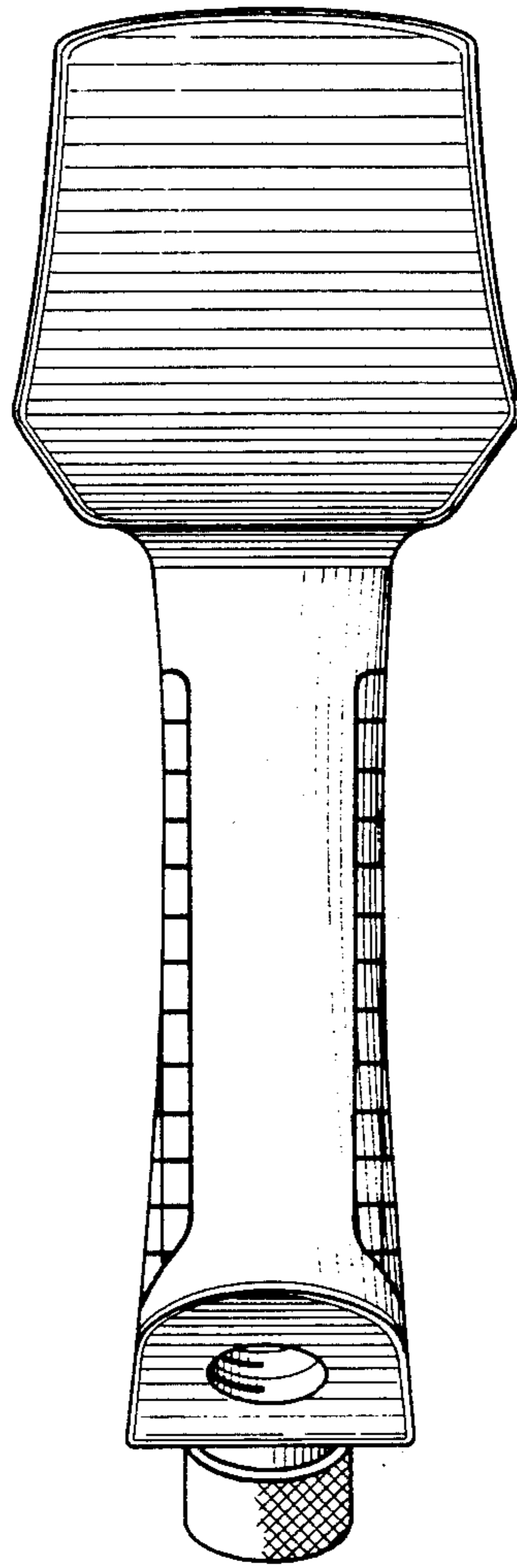


Fig 5

