

[54] HOT PLATE

[75] Inventors: Yasuhiro Rengeji; Tomoaki Sugimoto, both of Yokohama; Masato Goto, Tokyo, all of Japan

[73] Assignee: Mitsubishi Denki Kabushiki Kaisha, Tokyo, Japan

[**] Term: 14 Years

[21] Appl. No.: 644,530

[22] Filed: Aug. 27, 1984

[30] Foreign Application Priority Data

Feb. 27, 1984 [JP]	Japan	59-7119
Feb. 27, 1984 [JP]	Japan	59-7121
Feb. 27, 1984 [JP]	Japan	59-7122

[52] U.S. Cl. D7/363

[58] Field of Search D7/323, 332, 334, 337-340, D7/346-348, 350-351, 362-367; 99/402-403, 406-408, 422; 219/443, 446, 448, 450, 457-458

[56] References Cited

U.S. PATENT DOCUMENTS

D. 209,115	10/1967	Wright	D7/407
D. 249,864	10/1978	Mackay et al.	D7/364
D. 261,849	11/1981	Funaki et al.	D7/367
2,007,876	7/1935	Sauvage	219/446

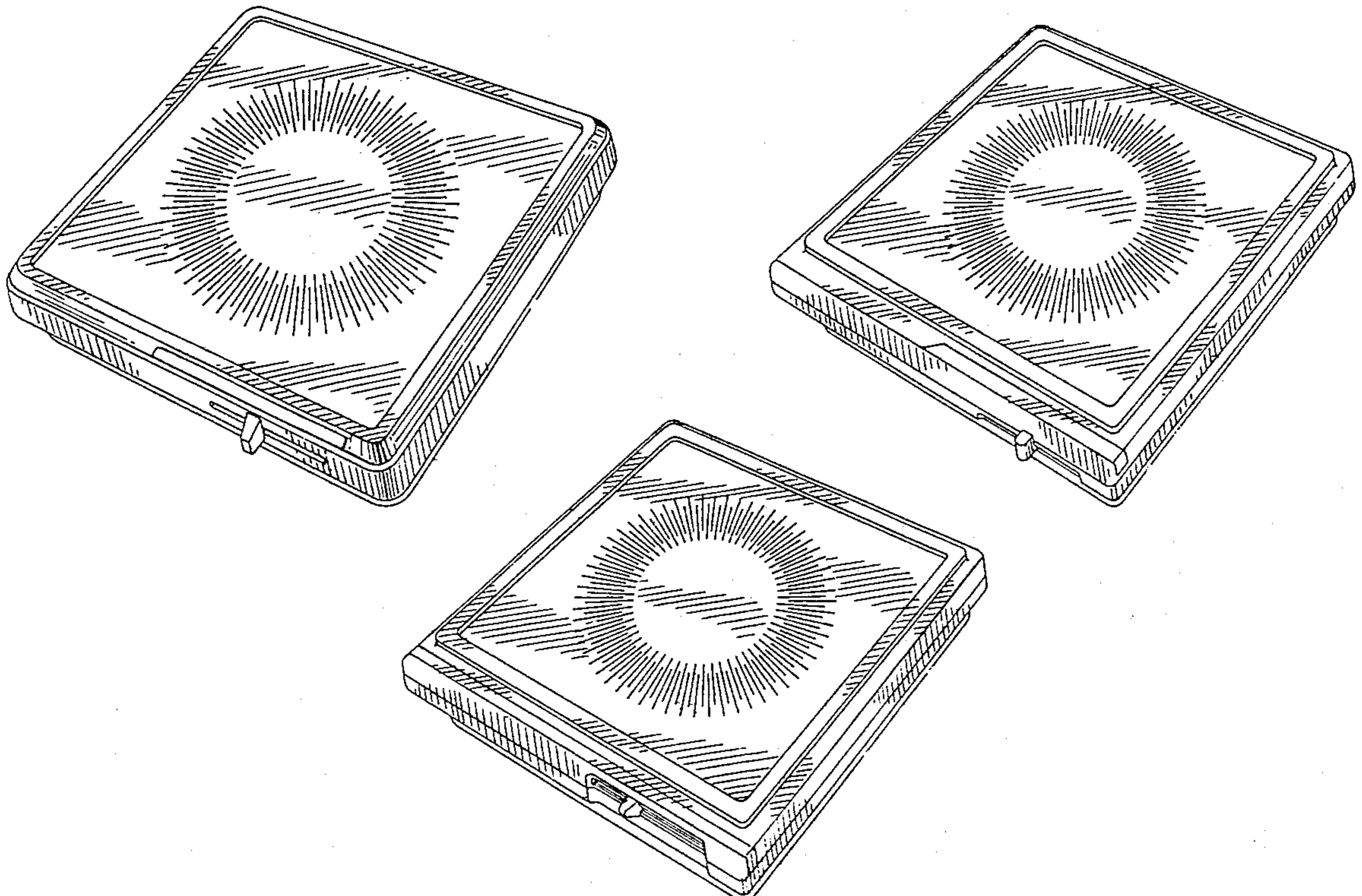
Primary Examiner—James M. Gandy
Assistant Examiner—Ruth E. Takemoto
Attorney, Agent, or Firm—Oblon, Fisher, Spivak, McClelland & Maier

[57] CLAIM

The ornamental design for a hot plate, as shown.

DESCRIPTION

FIG. 1 is a front elevational view of a hot plate showing our new design;
 FIG. 2 is a rear elevational view thereof;
 FIG. 3 is a left side elevational view thereof;
 FIG. 4 is a right side elevational view thereof;
 FIG. 5 is a top plan view thereof;
 FIG. 6 is a bottom plan view thereof;
 FIG. 7 is an enlarged cross-sectional view taken along line 7—7 of FIG. 1 with the internal mechanism omitted;
 FIG. 8 is a perspective view thereof;
 FIG. 9 is a front elevational view of a second embodiment of a hot plate showing our new design;
 FIG. 10 is a rear elevational view thereof;
 FIG. 11 is a right side elevational view thereof;
 FIG. 12 is a top plan view thereof;
 FIG. 13 is a bottom plan view thereof;
 FIG. 14 is an enlarged cross-sectional view taken along line 14—14 of FIG. 9 with the internal mechanisms omitted;
 FIG. 15 is a perspective view thereof;
 FIG. 16 is a front elevational view of a third embodiment of a hot plate showing our new design;
 FIG. 17 is a rear elevational view thereof;
 FIG. 18 is a left side elevational view thereof;
 FIG. 19 is a right side elevational view thereof;
 FIG. 20 is a top plan view thereof;
 FIG. 21 is a bottom plan view thereof;
 FIG. 22 is an enlarged cross-sectional view taken along line 22—22 of FIG. 16 with the internal mechanisms omitted; and
 FIG. 23 is a perspective view thereof.



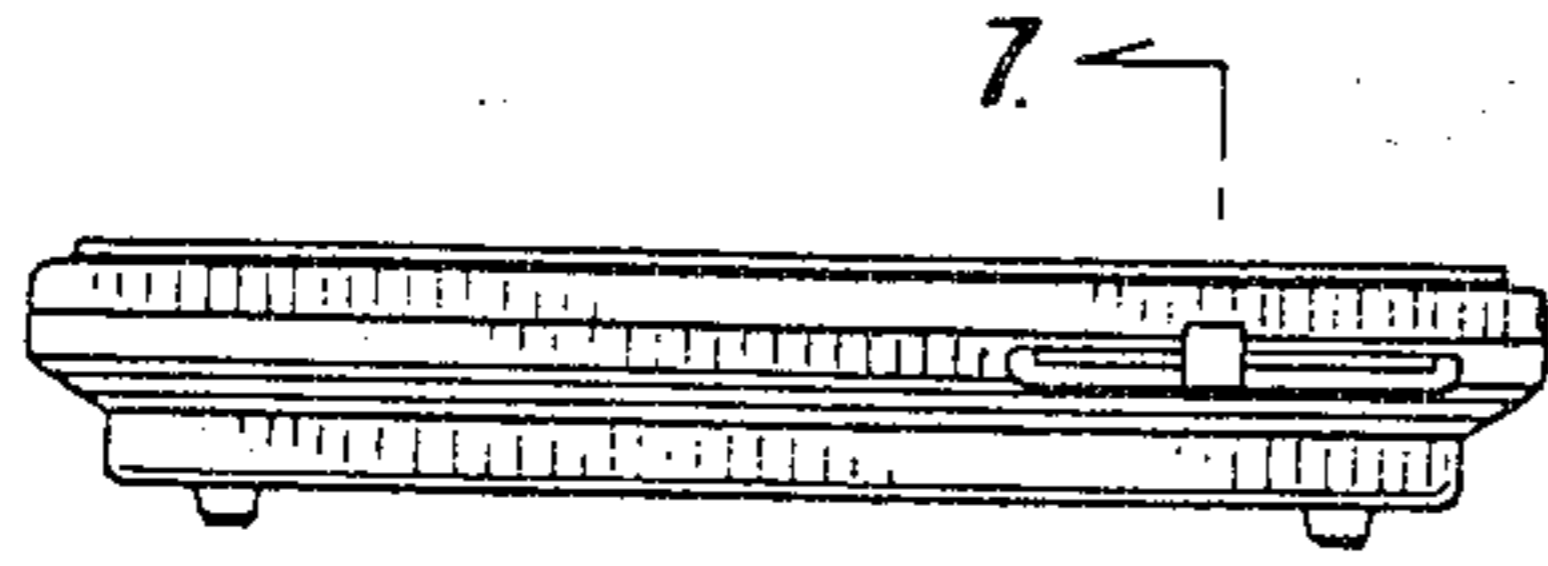


FIG. 1

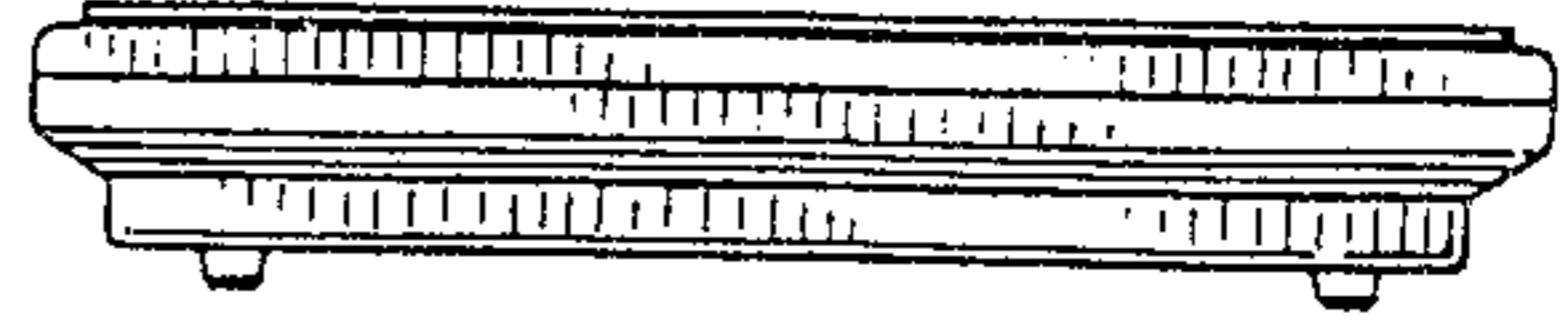


FIG. 2

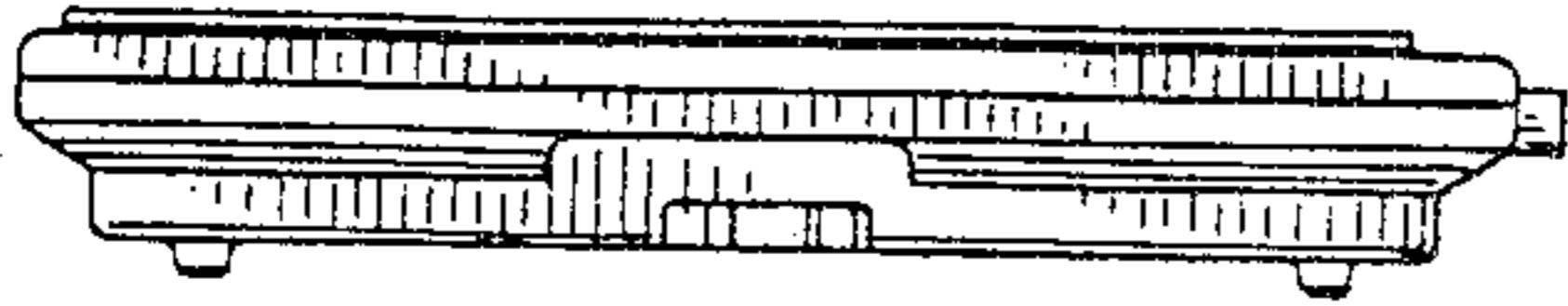


FIG. 3



FIG. 4

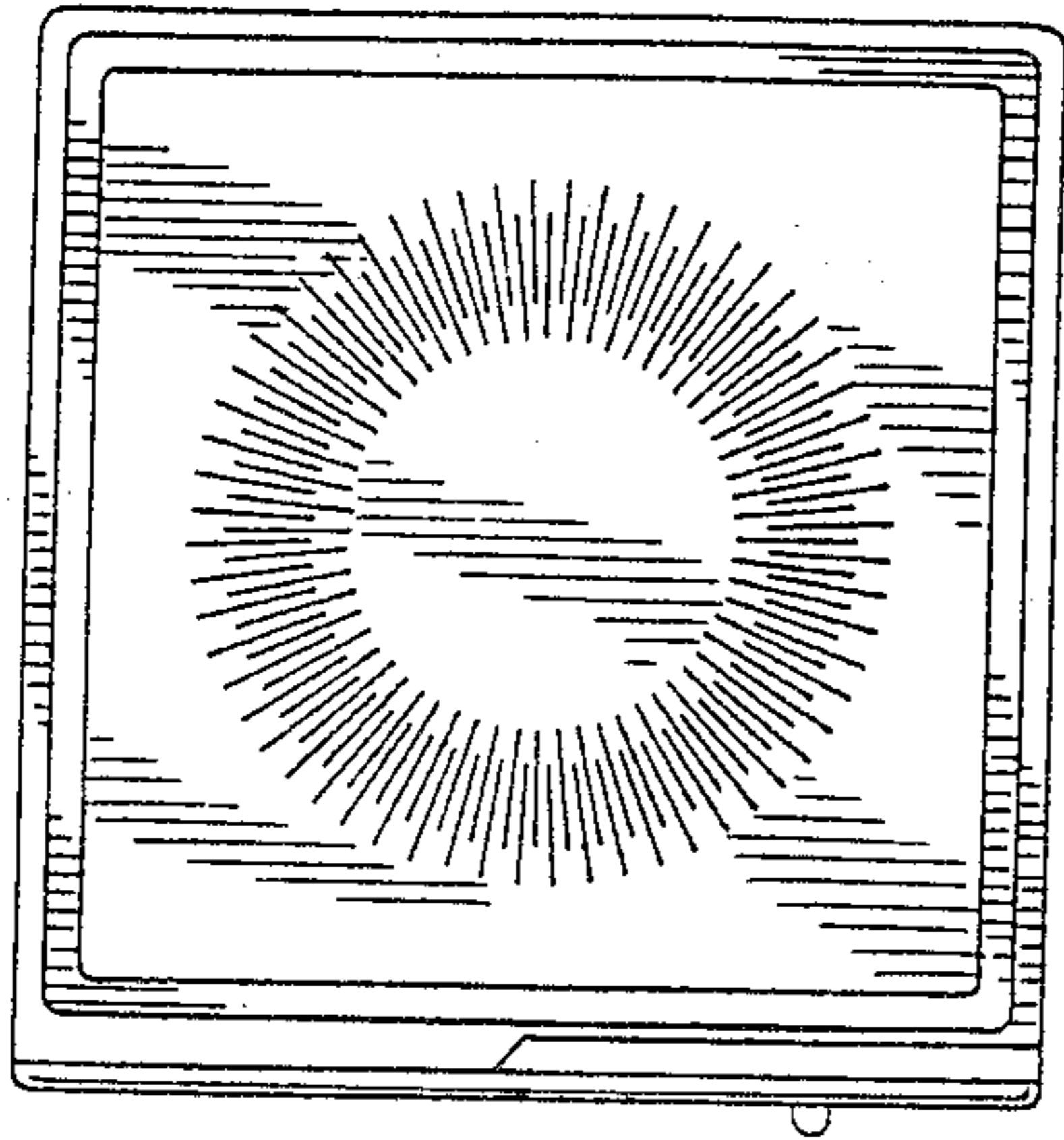


FIG. 5

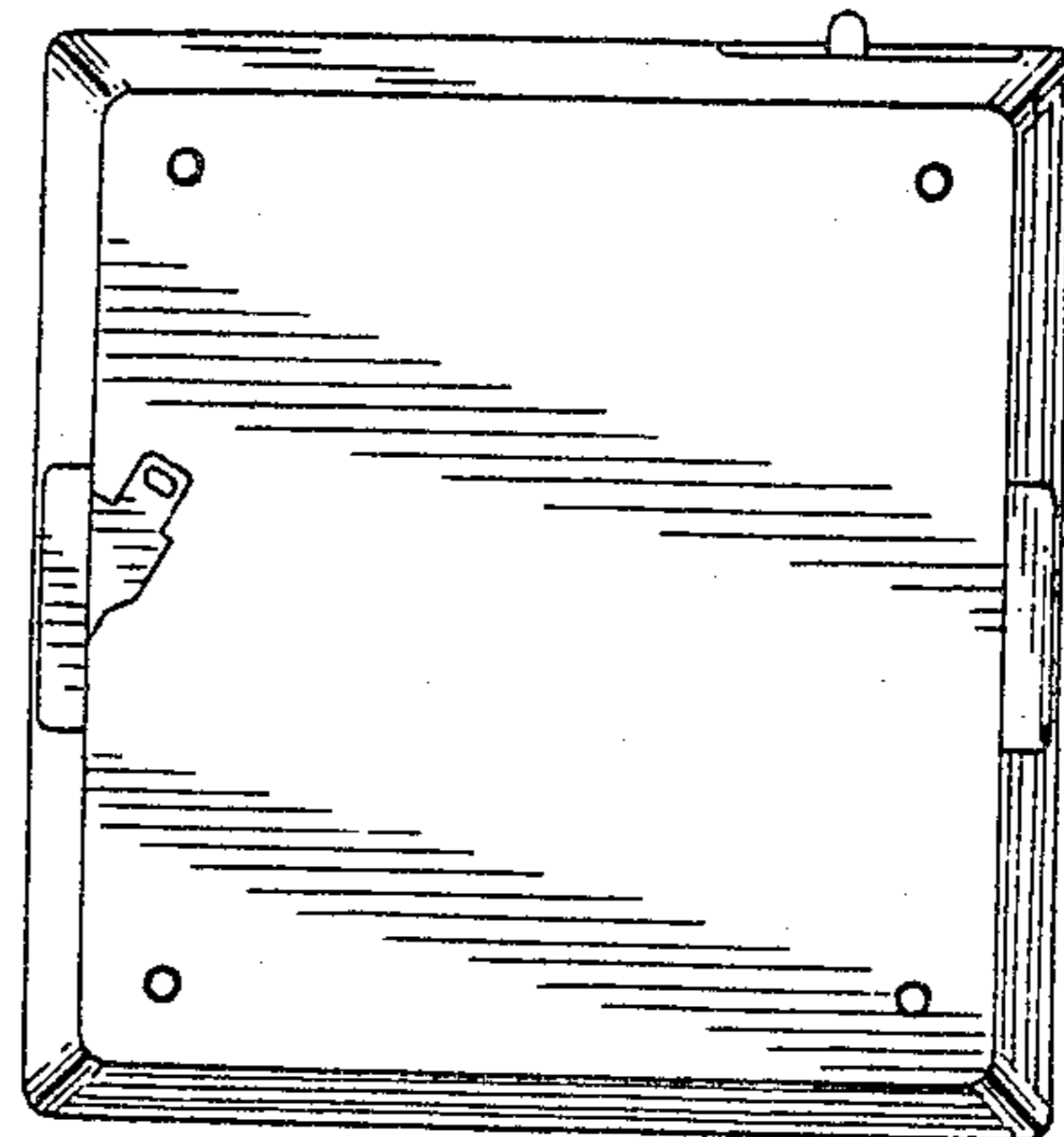


FIG. 6

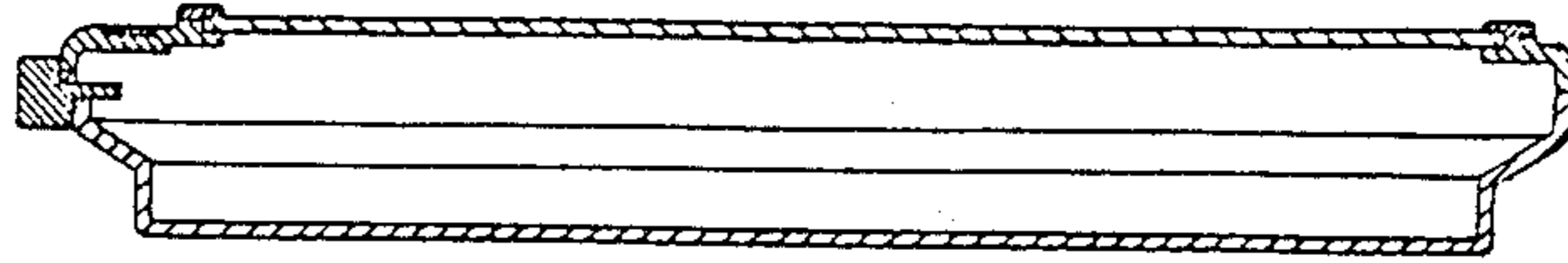


FIG. 7

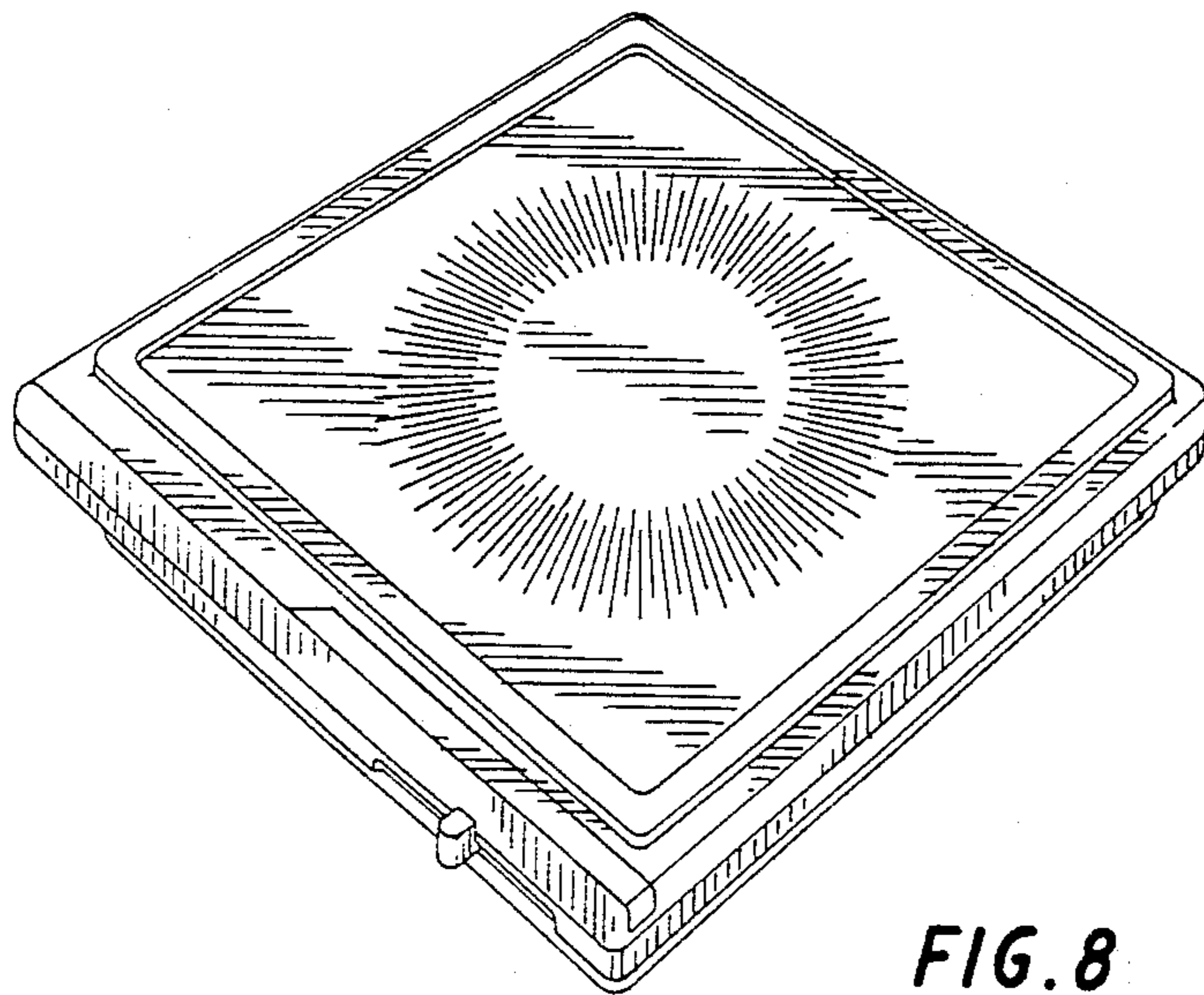
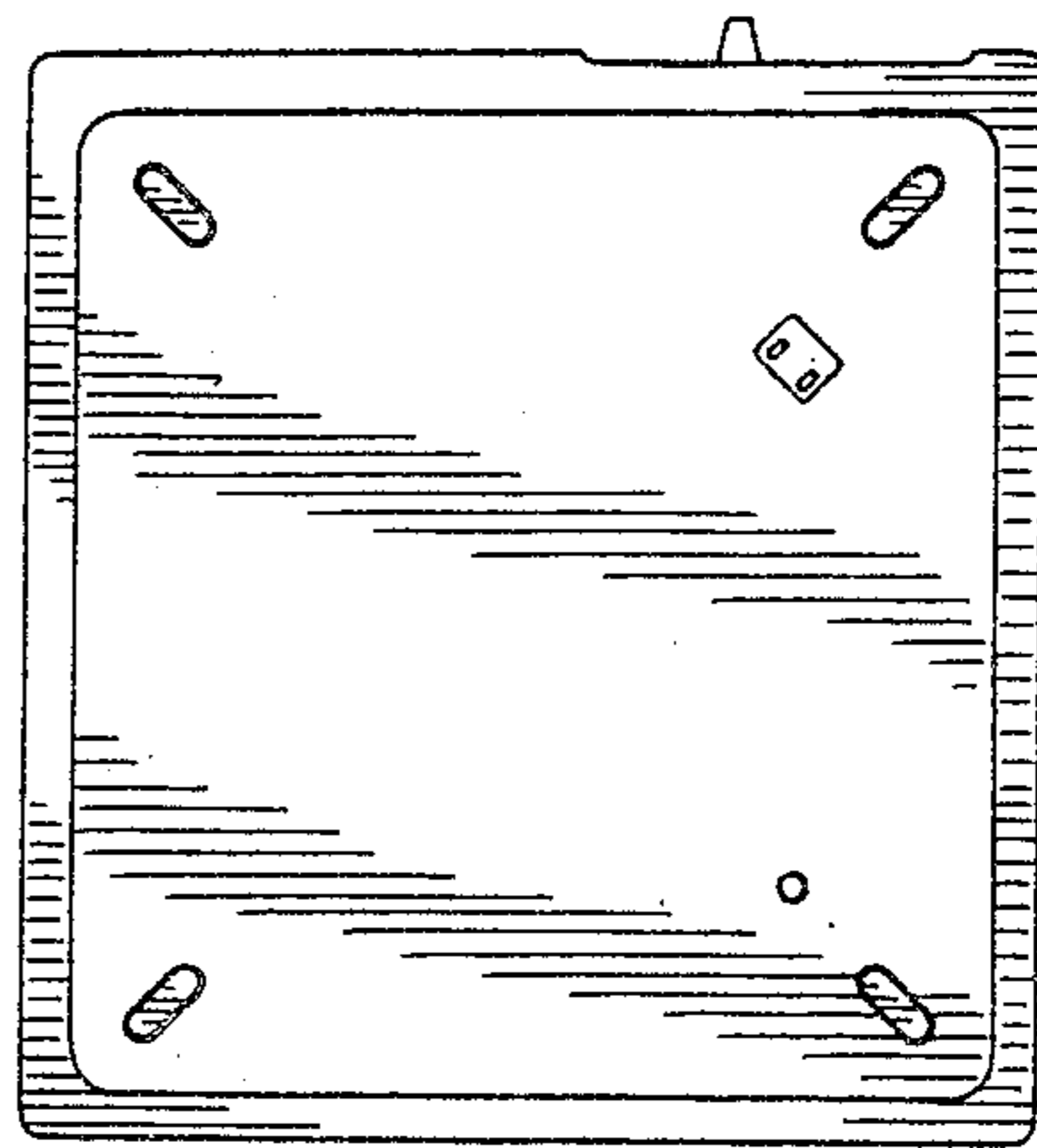
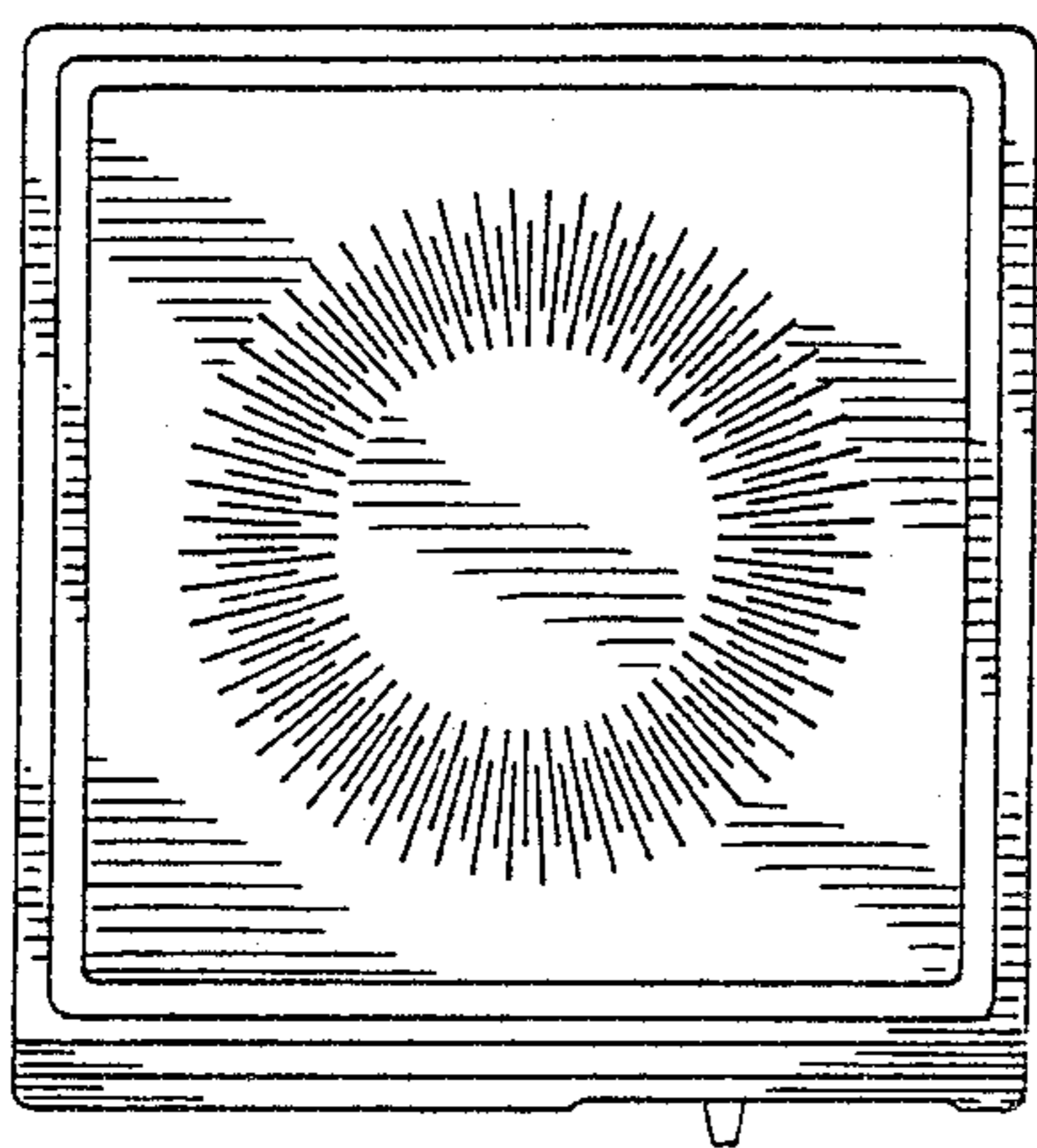
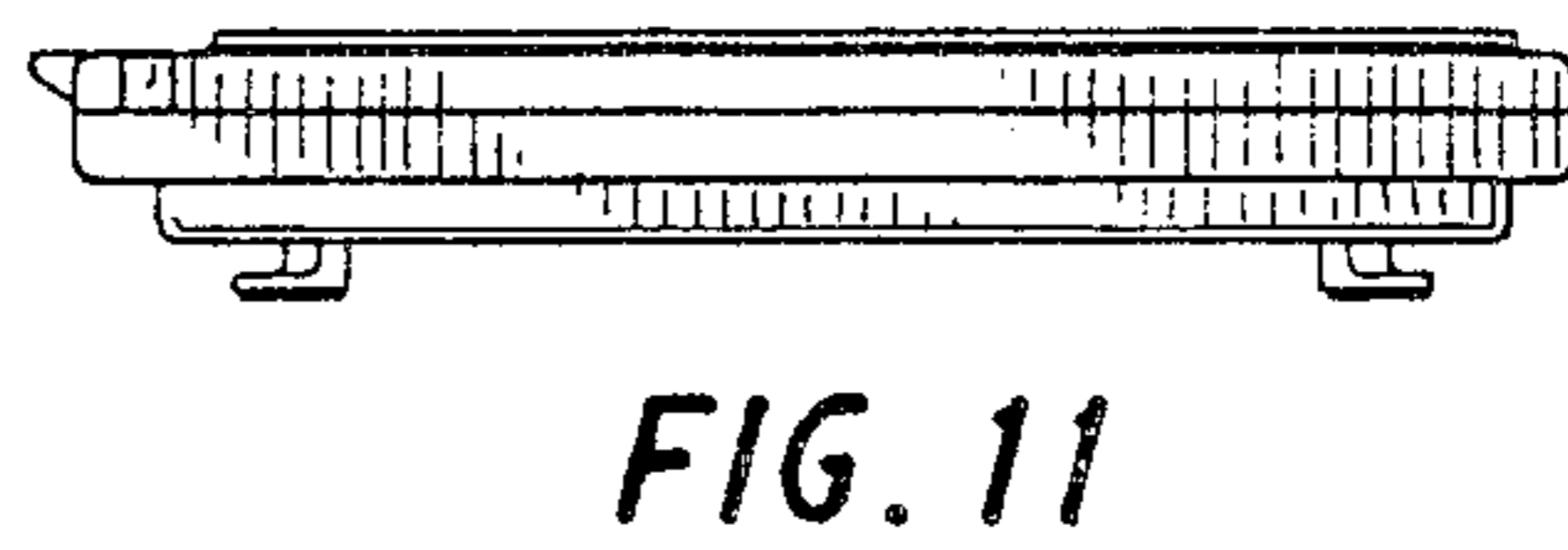
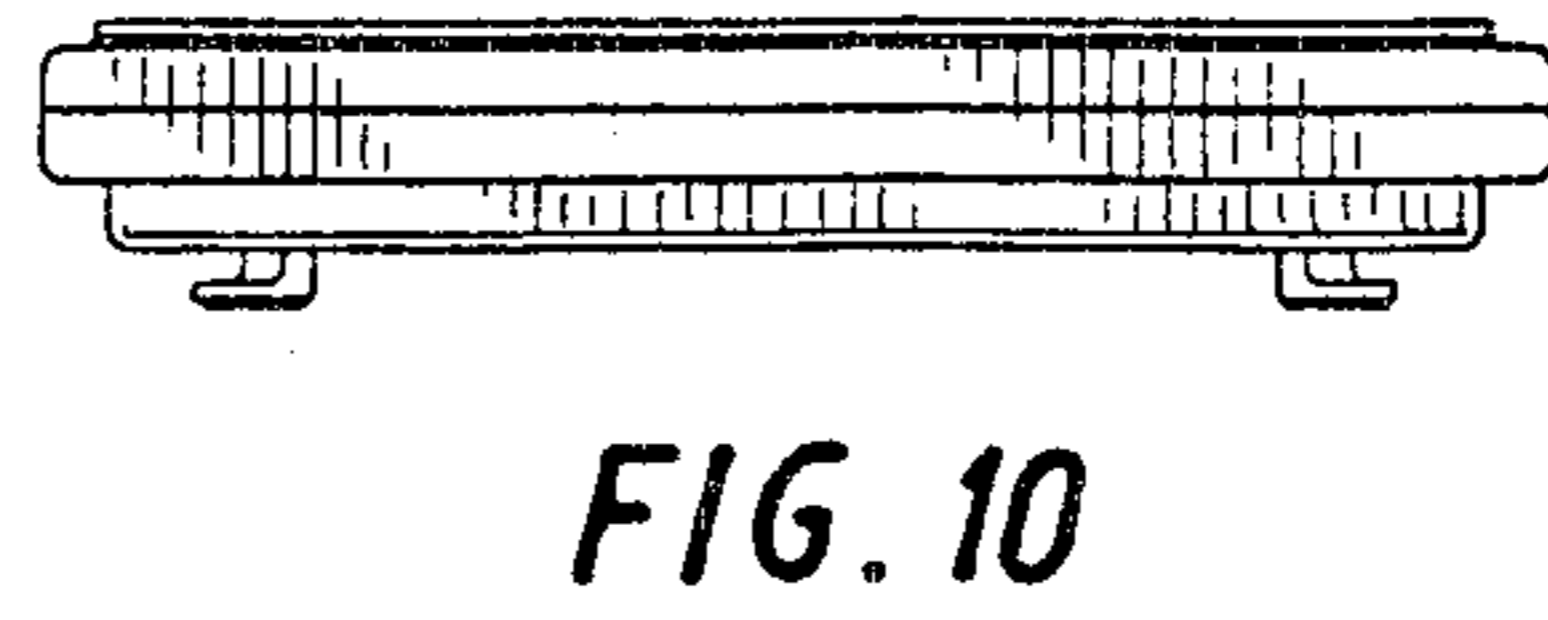
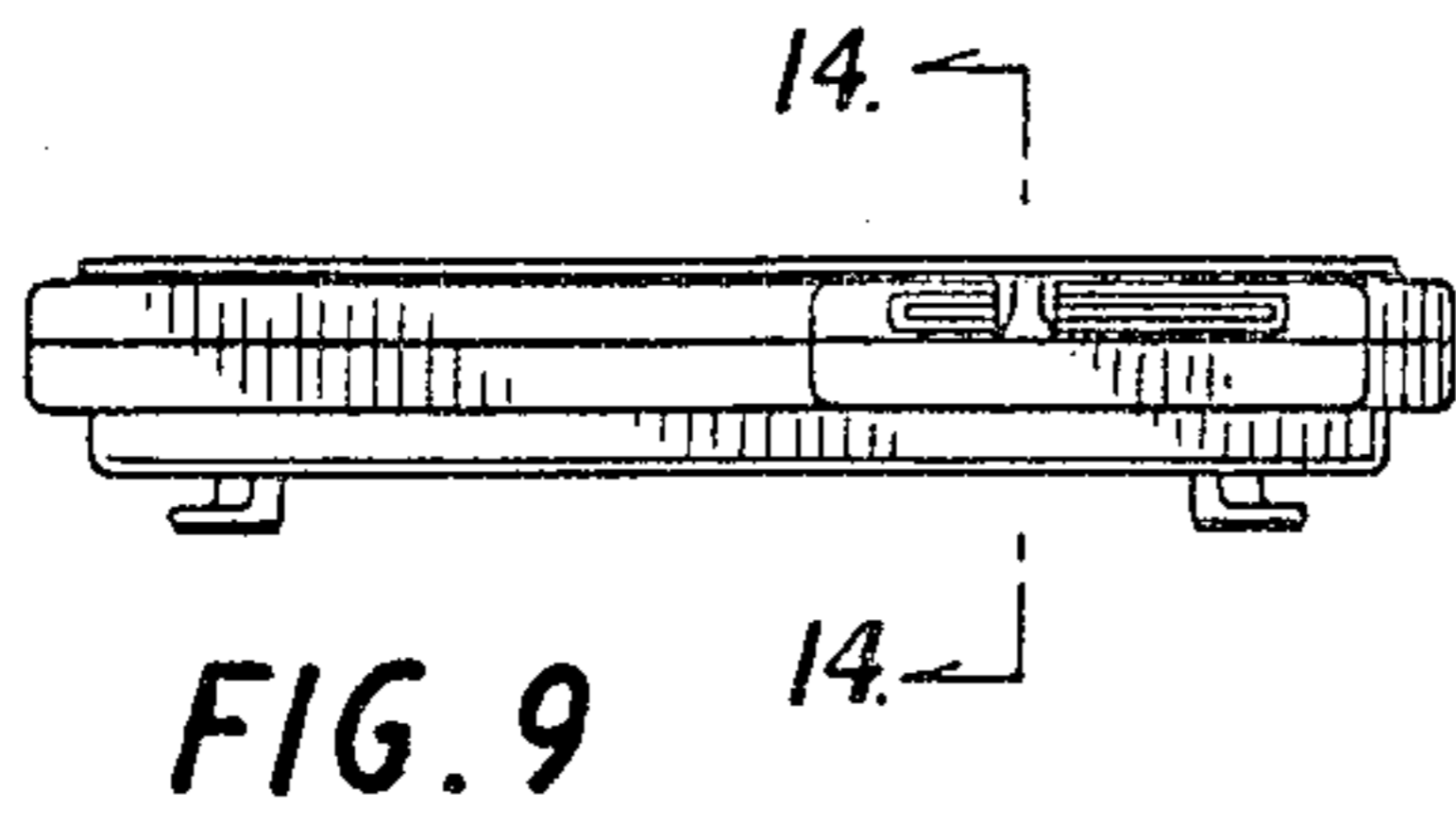


FIG. 8



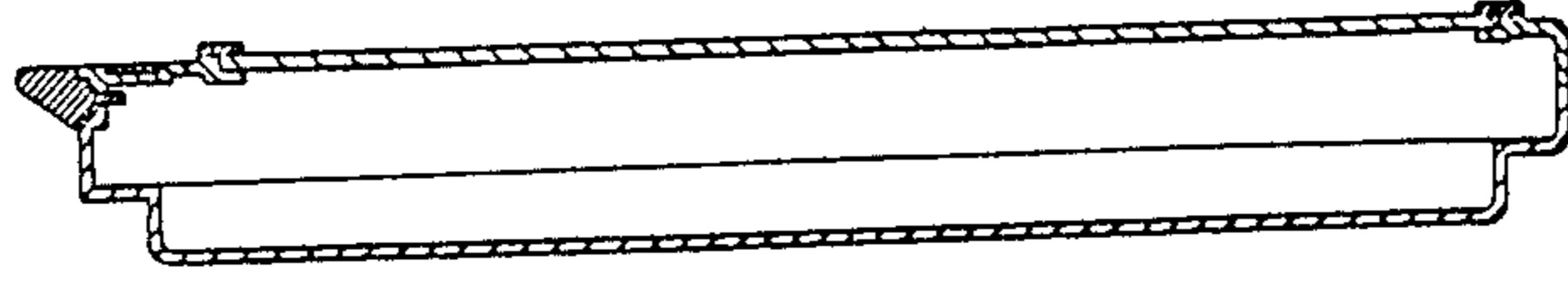


FIG. 14

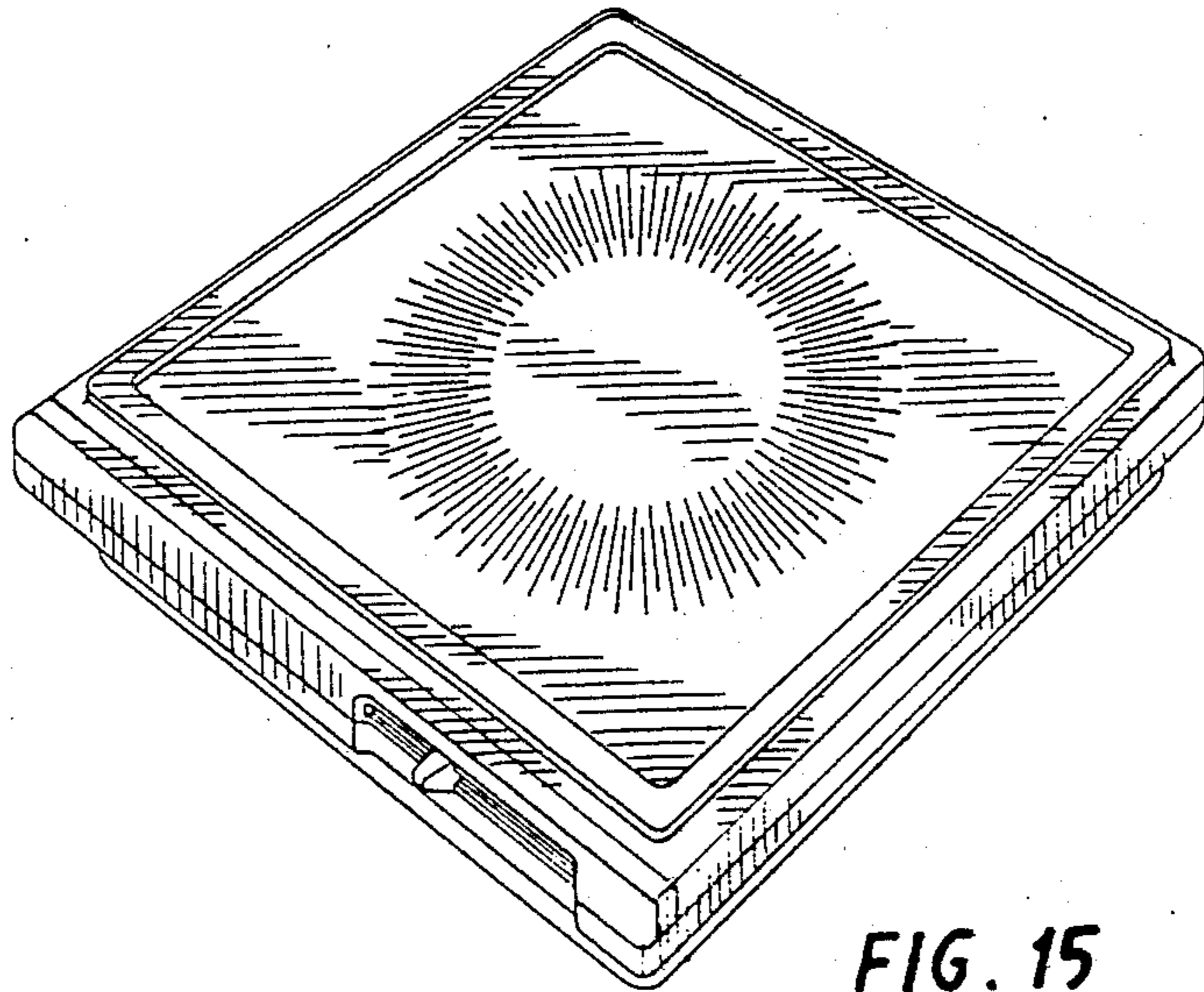


FIG. 15

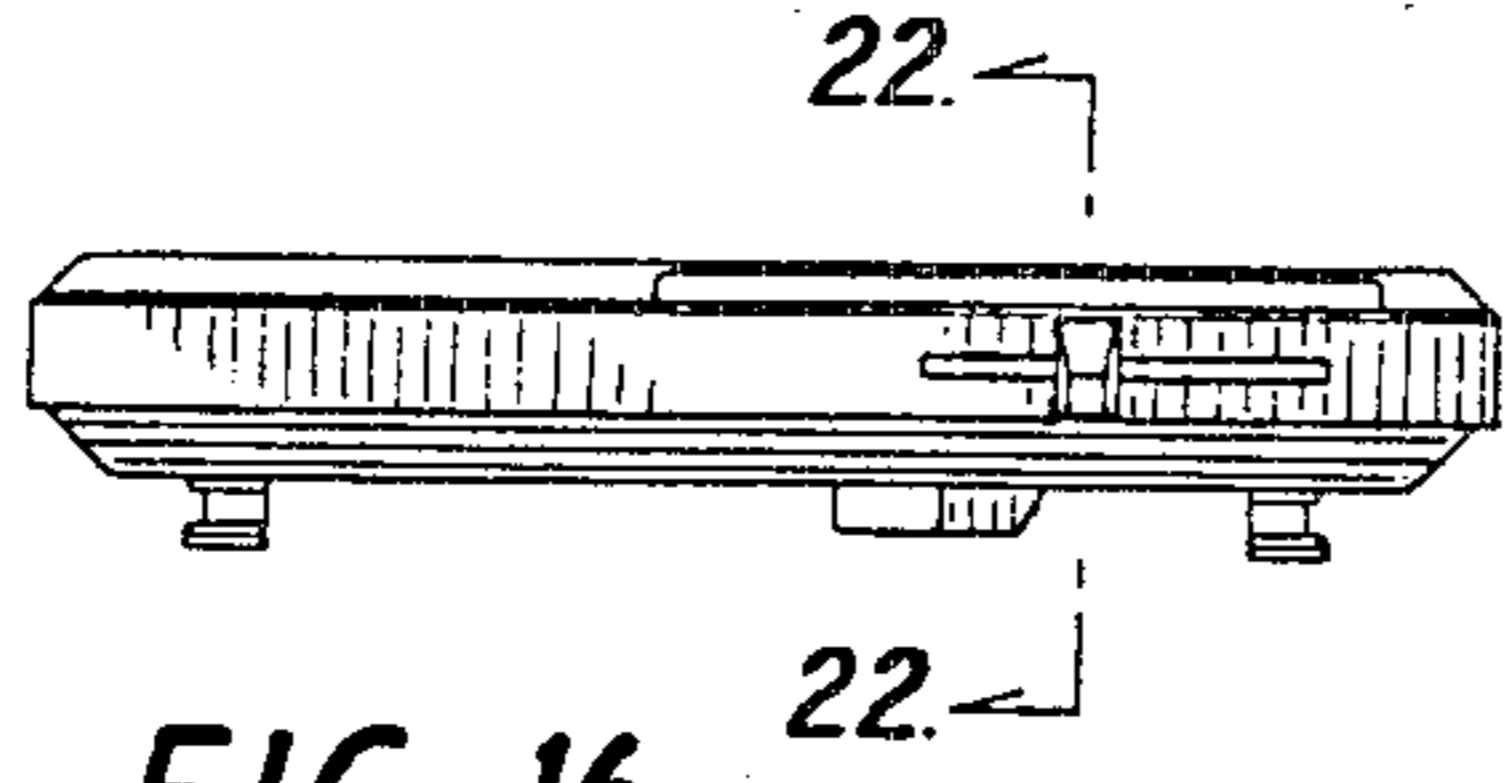


FIG. 16

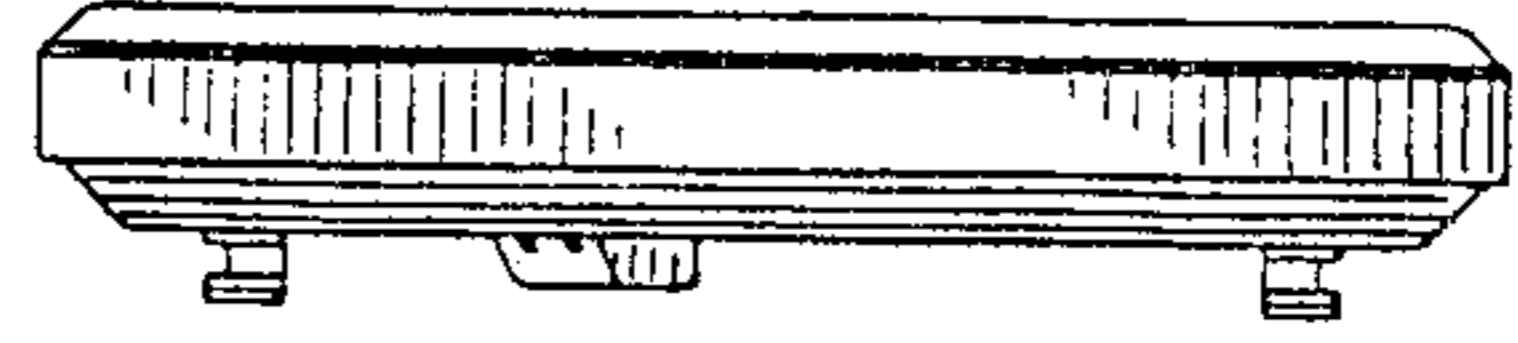


FIG. 17

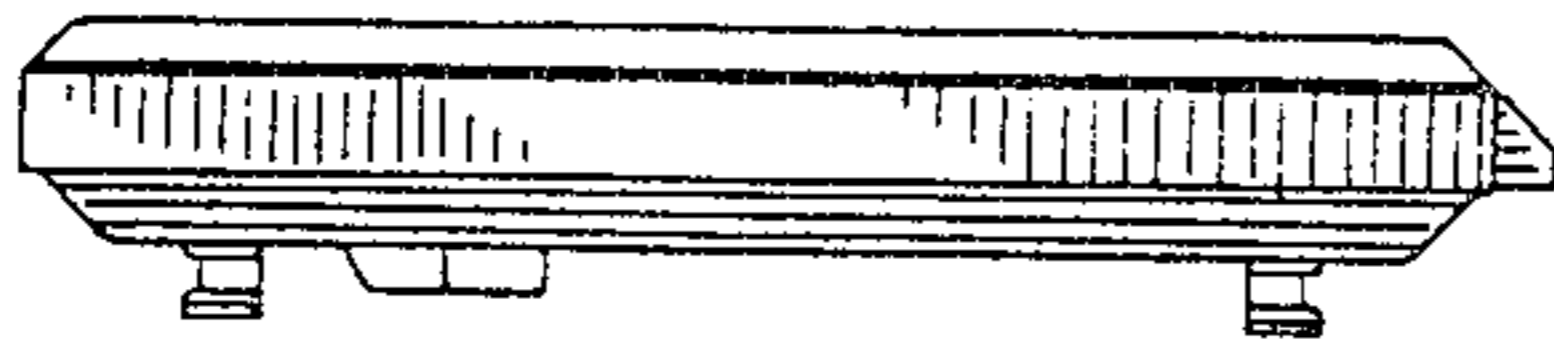


FIG. 18

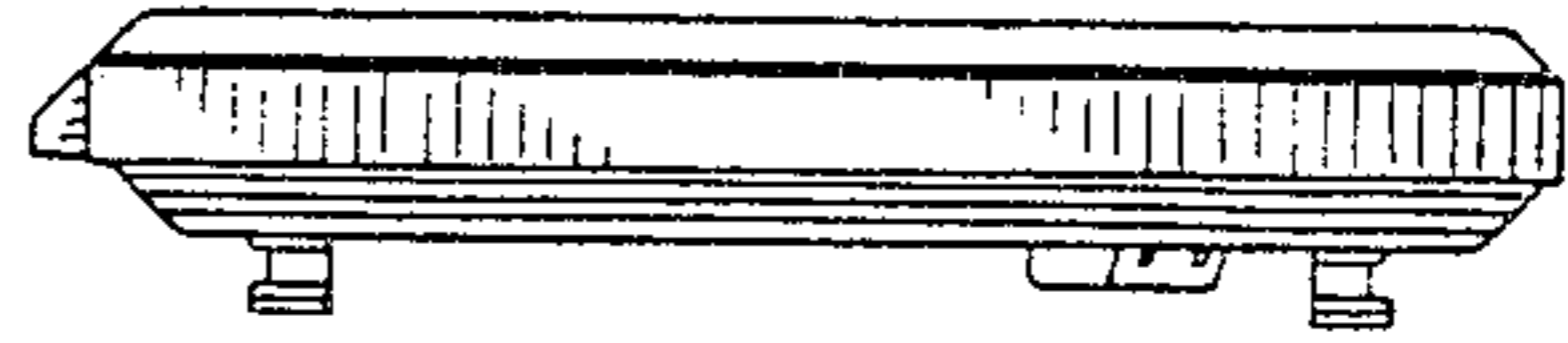


FIG. 19

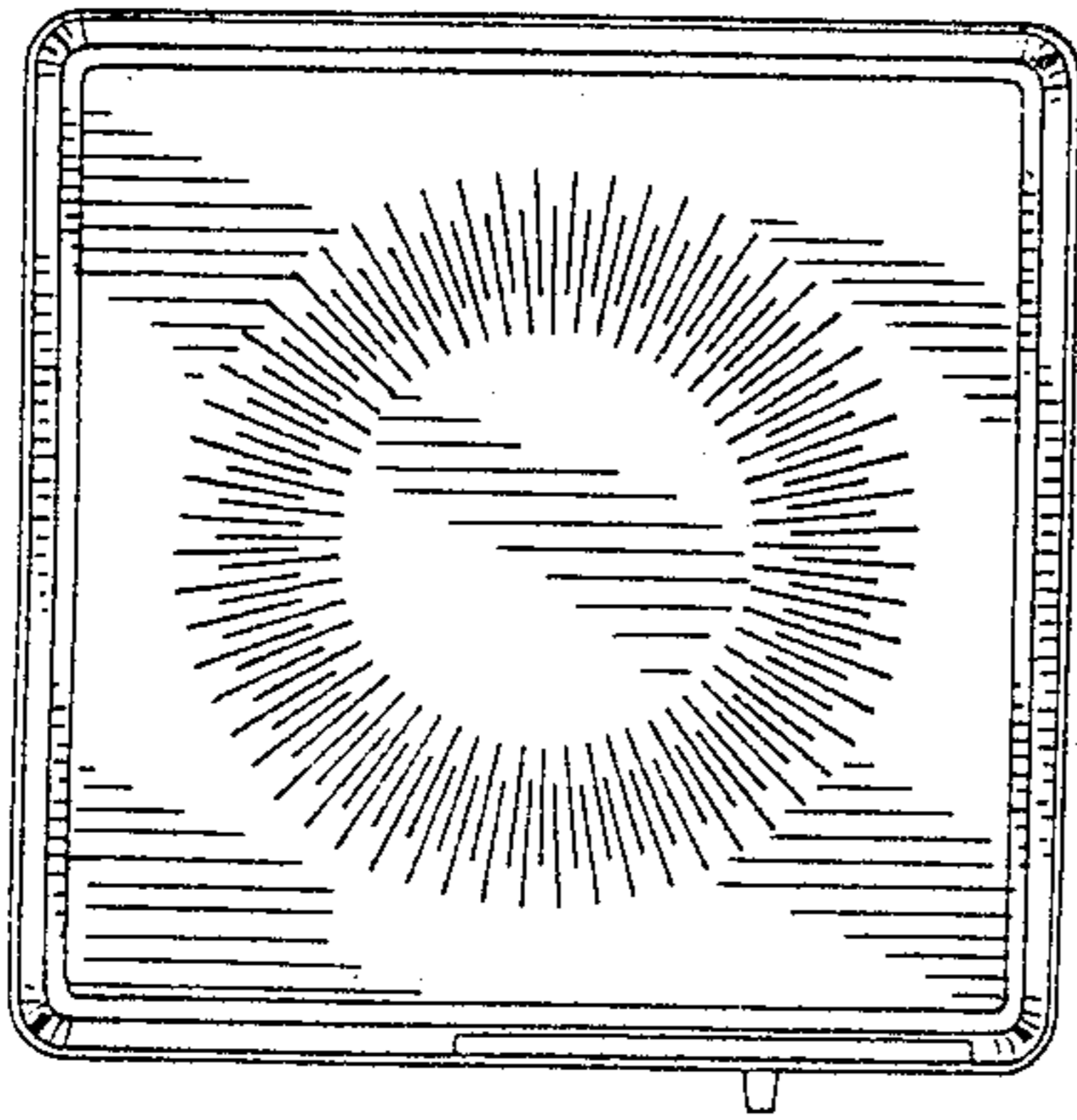


FIG. 20

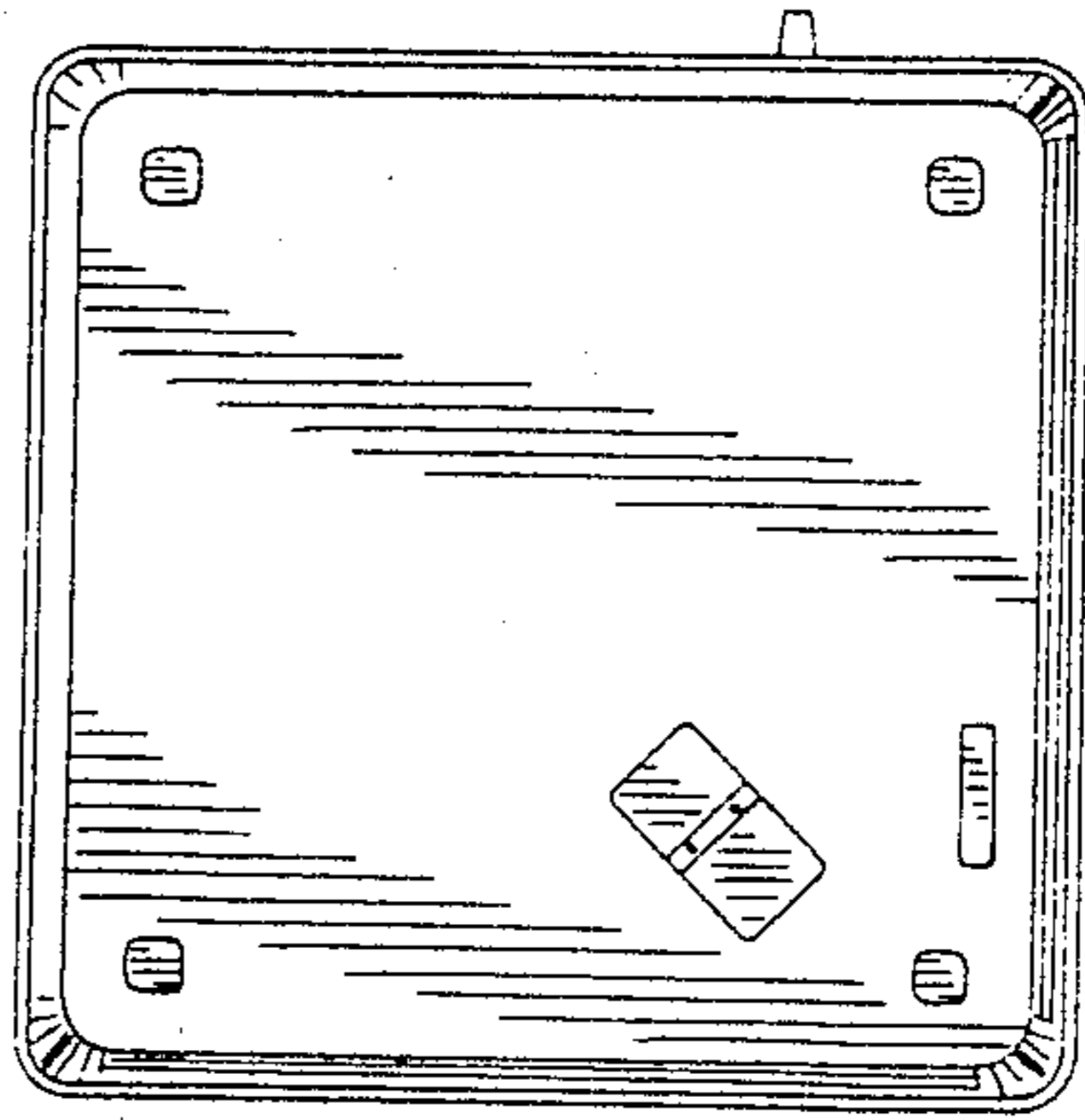


FIG. 21

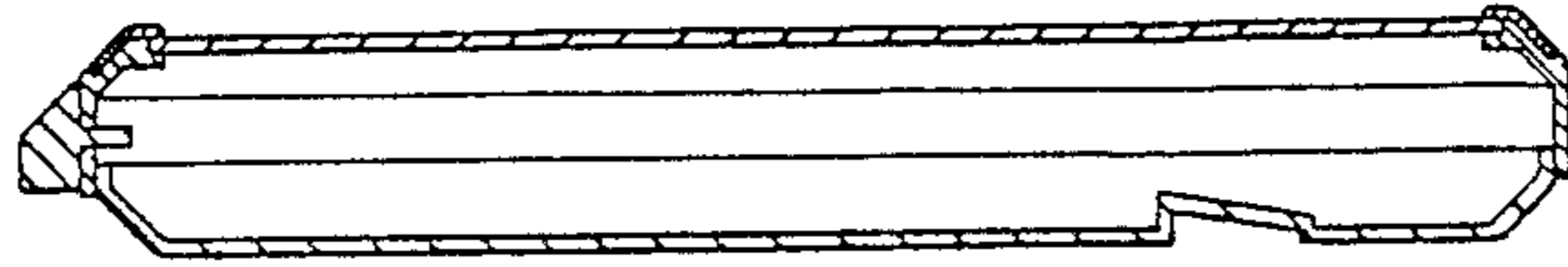


FIG. 22

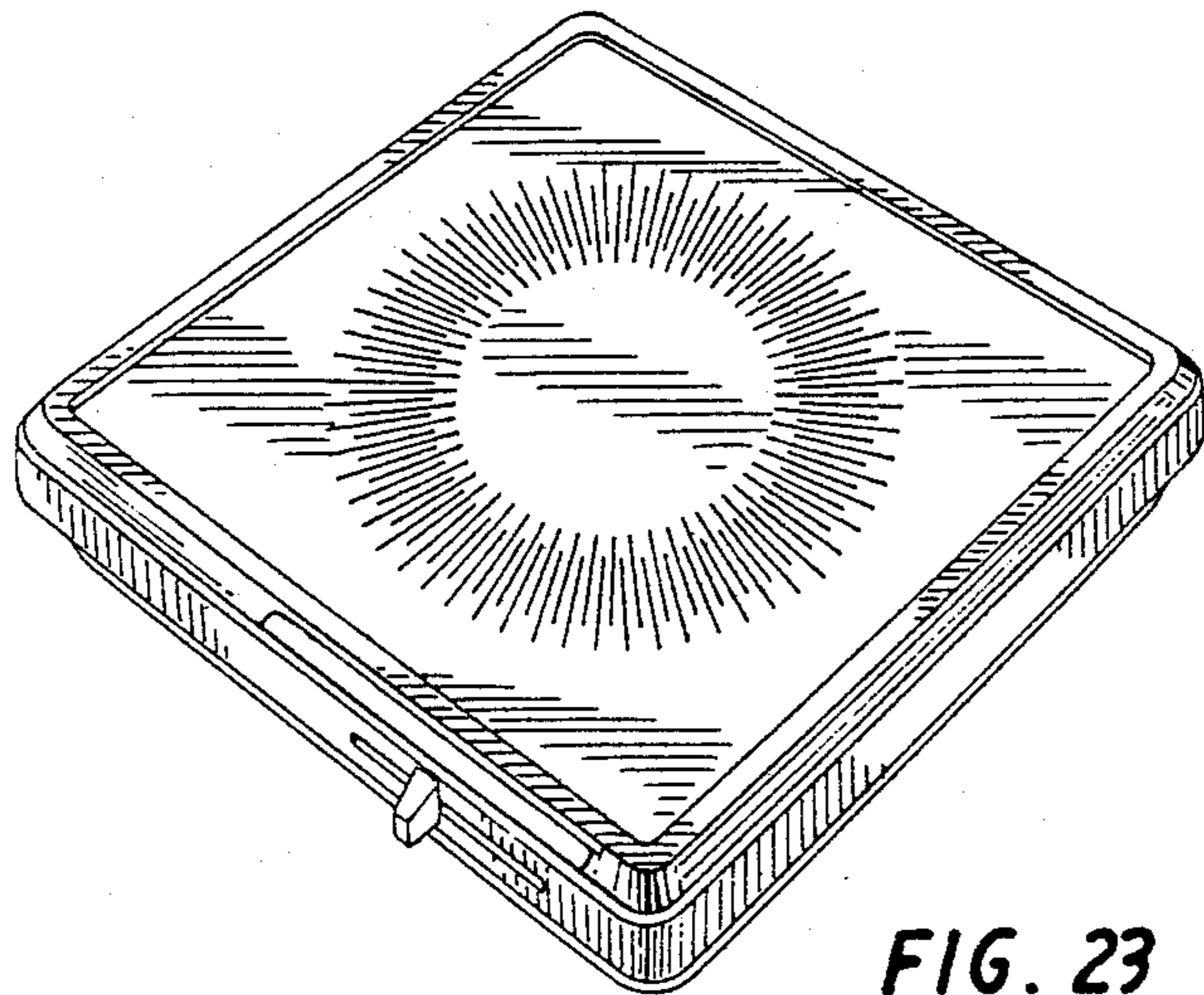


FIG. 23