

[54] HOT BEVERAGE SERVER

[75] Inventor: Jon R. Syverson, Albert Lea, Minn.

[73] Assignee: Fountain Industries, Inc., Albert Lea, Minn.

[**] Term: 14 Years

[21] Appl. No.: 621,688

[22] Filed: Jun. 18, 1984

[52] U.S. Cl. D7/305; D7/308; D7/309

[58] Field of Search D7/308, 305, 309, 306, D7/307, 300, 310, 311

[56] References Cited

U.S. PATENT DOCUMENTS

D. 215,259	9/1969	Syverson	D7/305
D. 231,575	4/1974	Syverson	D7/305
D. 234,832	4/1975	Syverson	D7/305
D. 234,833	4/1975	Syverson	D7/305
D. 242,498	11/1976	Syverson	D7/305
D. 246,310	11/1977	Syverson	D7/309
D. 246,311	11/1977	Syverson	D7/305
D. 254,255	2/1980	Kiser	D7/305
D. 269,516	6/1983	Kiser	D7/308

OTHER PUBLICATIONS

Foodservice Equipment Specialist, May 1980, p. 7, Cecil-

ware Corp. bottom r. panel, Automatic Coffee Brewer at left.

Primary Examiner—Winifred E. Herrmann
Attorney, Agent, or Firm—Zarley, McKee, Thomte, Voorhees & Sease

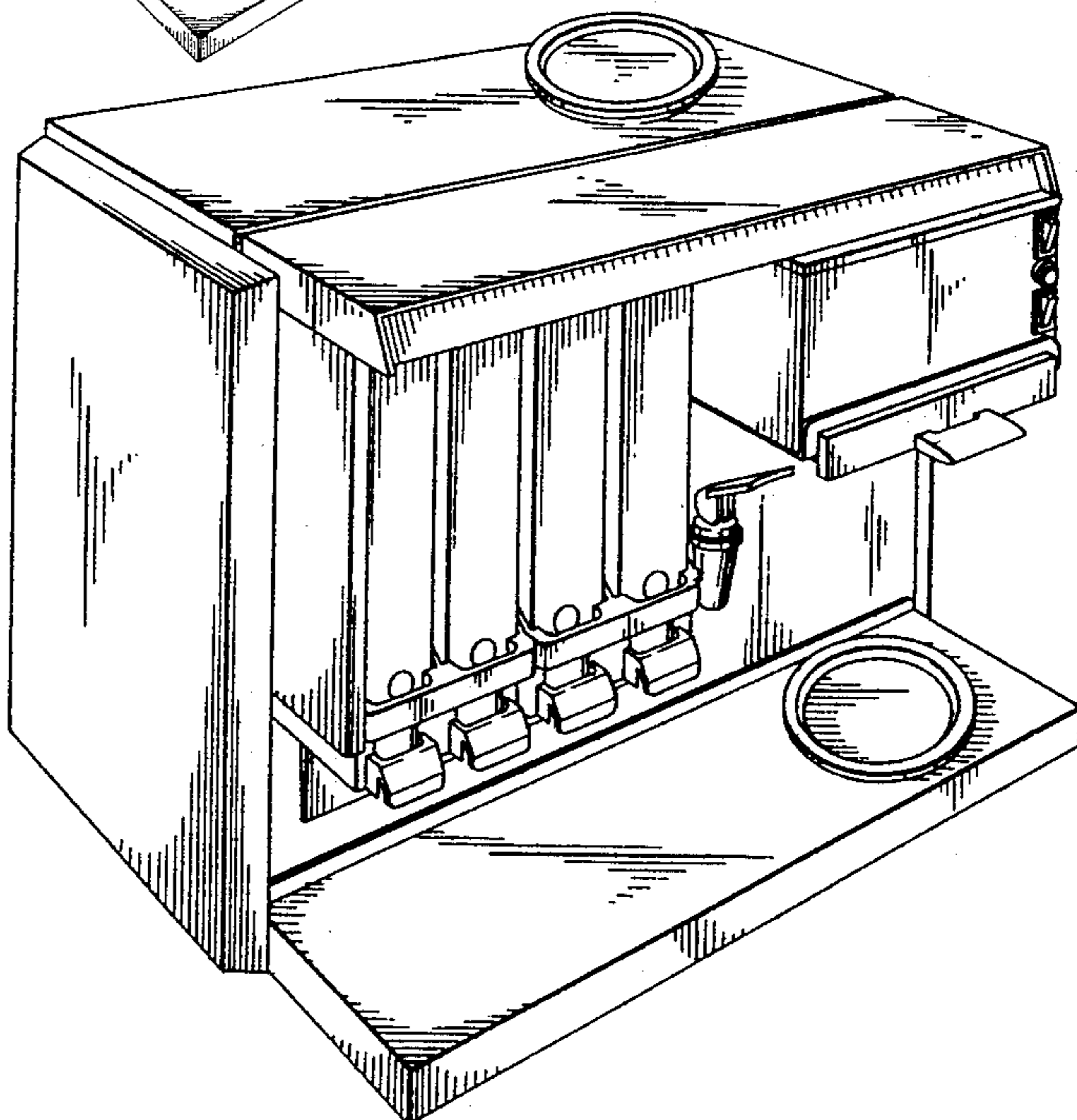
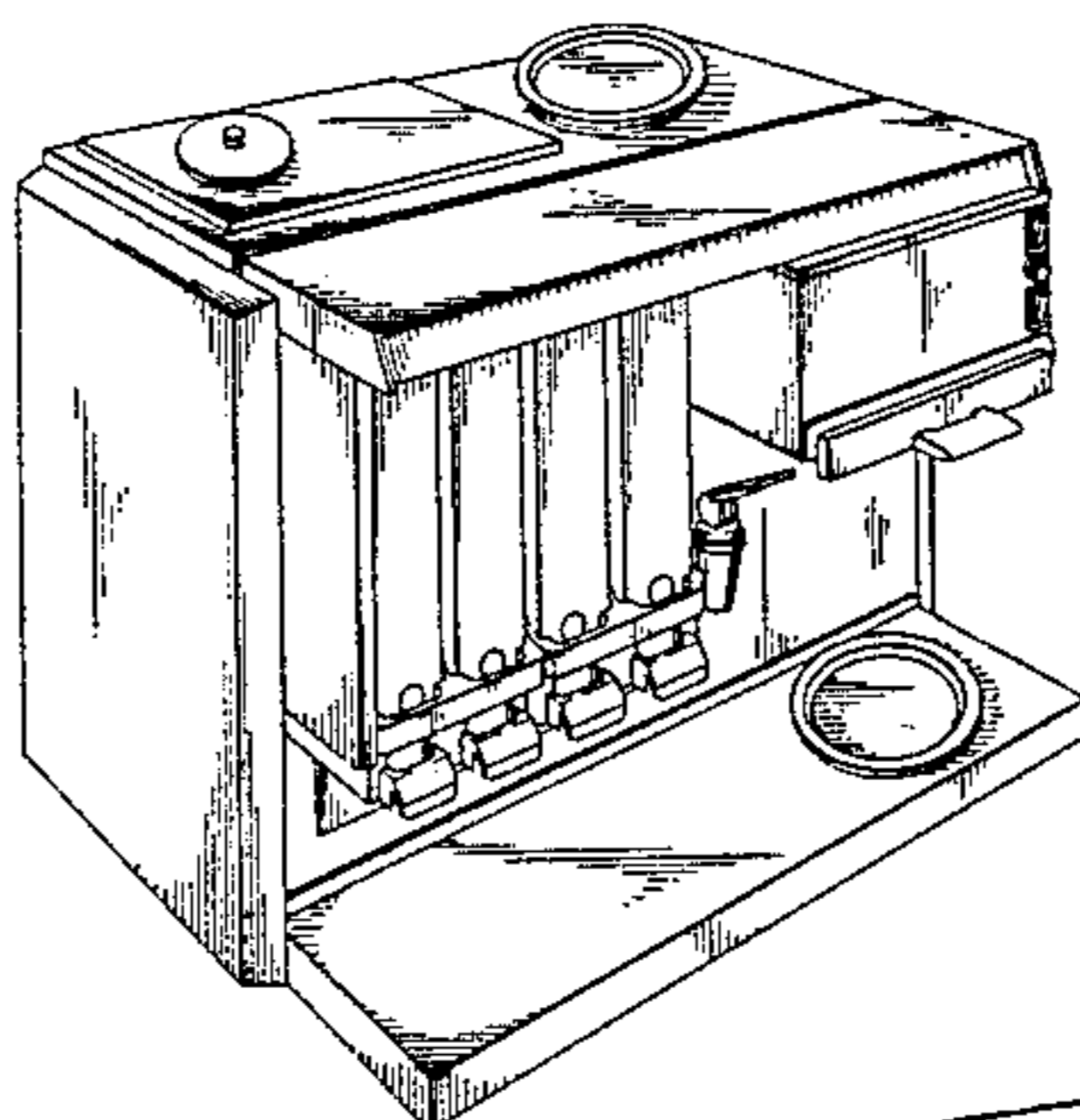
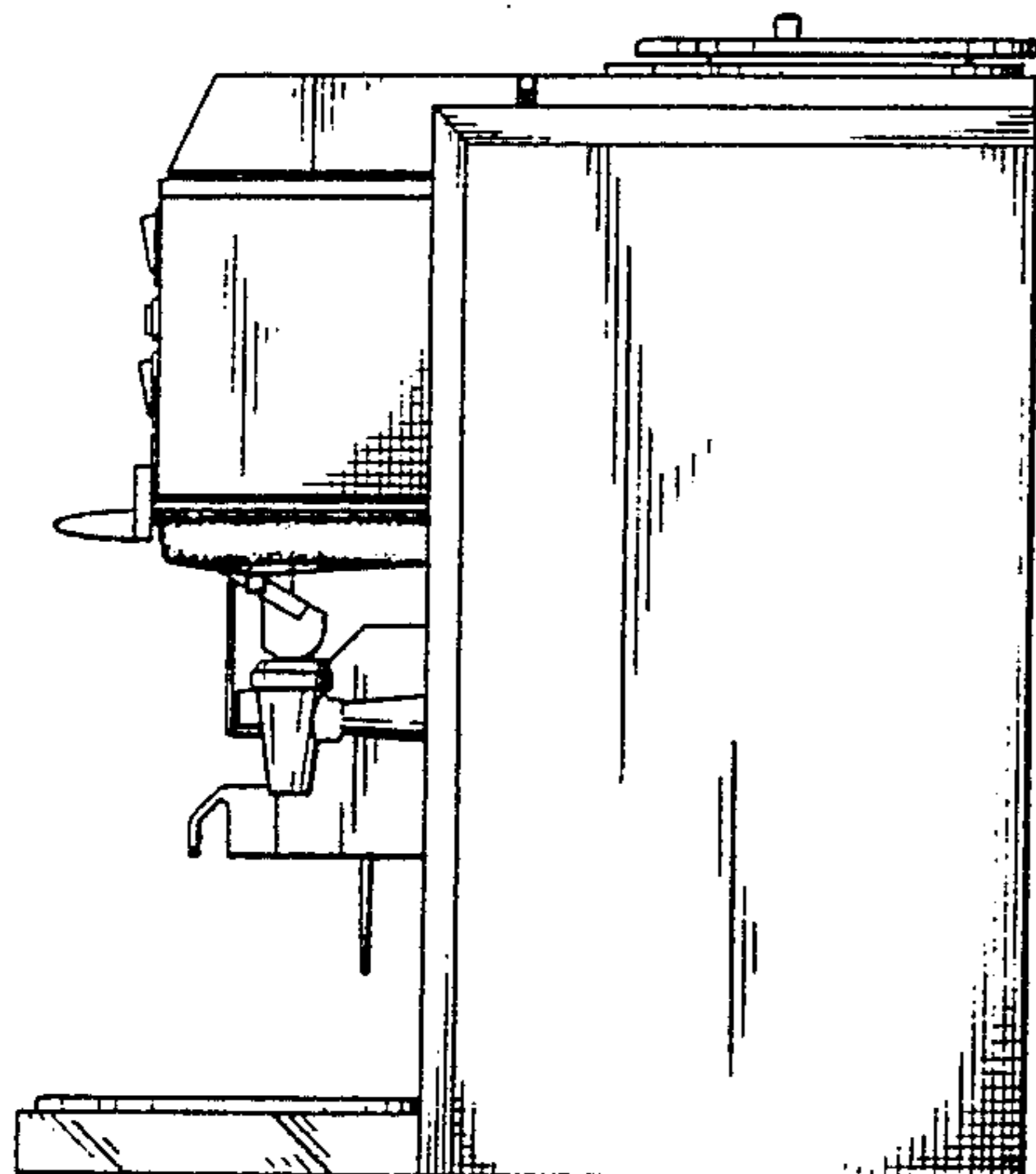
[57] CLAIM

The ornamental design for a hot beverage server, substantially as shown and described.

DESCRIPTION

FIG. 1 is a front perspective view of a hot beverage server showing my new design; FIG. 2 is a front elevational view; FIG. 3 is a right side elevational view; FIG. 4 is a left side elevational view; FIG. 5 is a top plan view; FIG. 6 is a front perspective view of a hot beverage server showing a modified form of the new design wherein a top plate has been removed; FIG. 7 is a front elevational view; FIG. 8 is a right side elevational view; FIG. 9 is a left side elevational view; and FIG. 10 is a top plan view.

The undisclosed bottom of the hot beverage server is conventional in appearance.



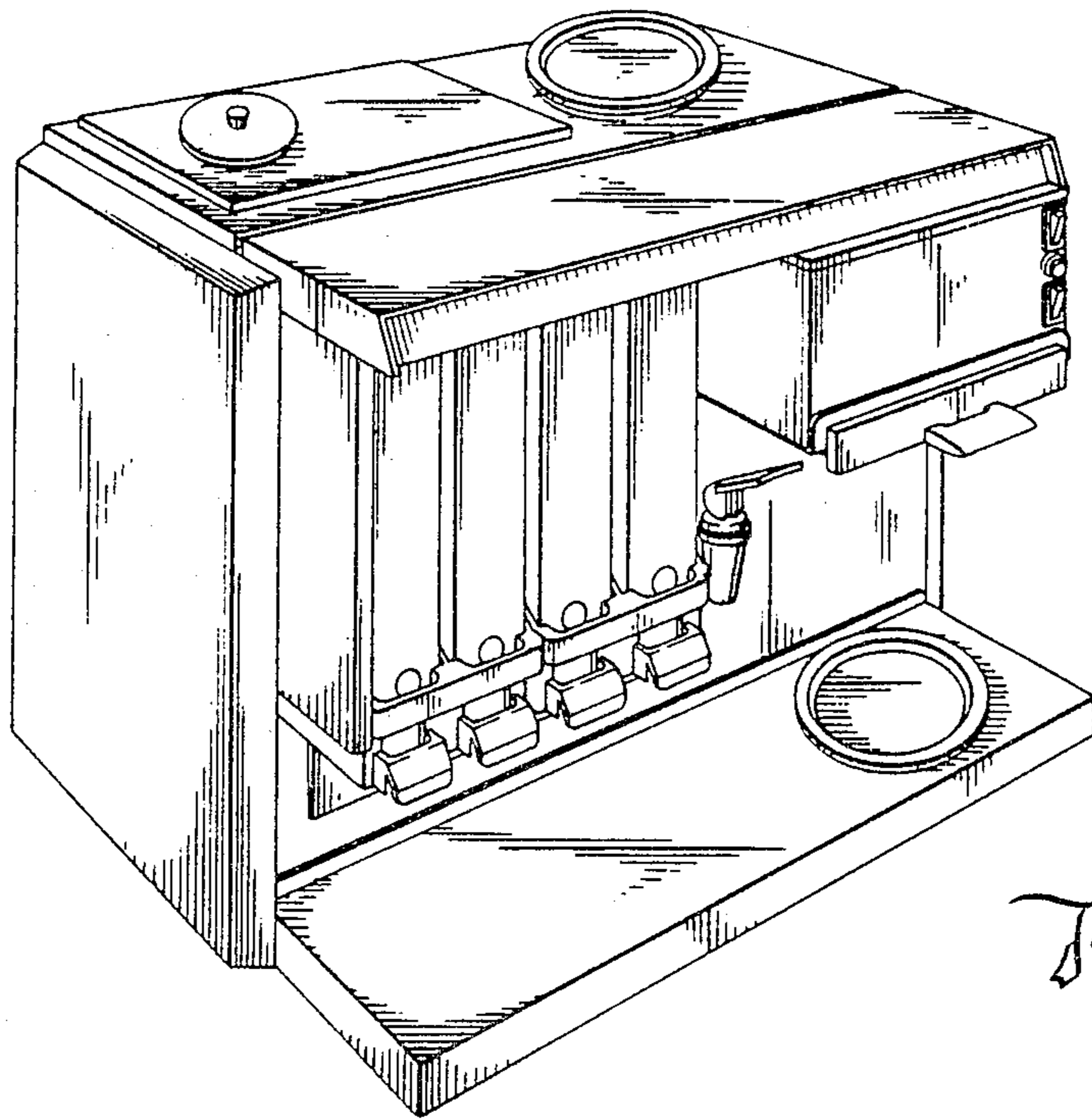


Fig. 1

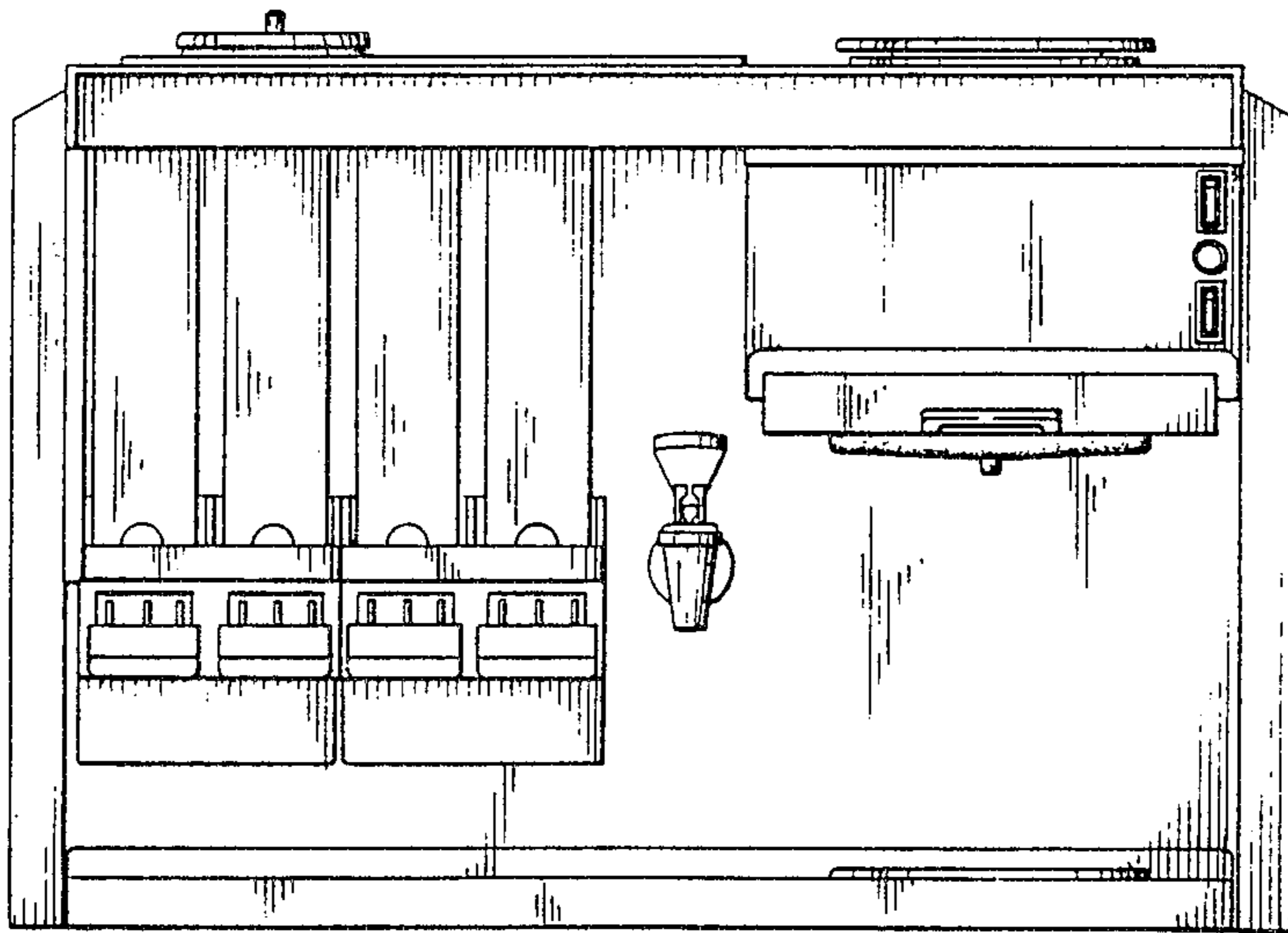


Fig. 2

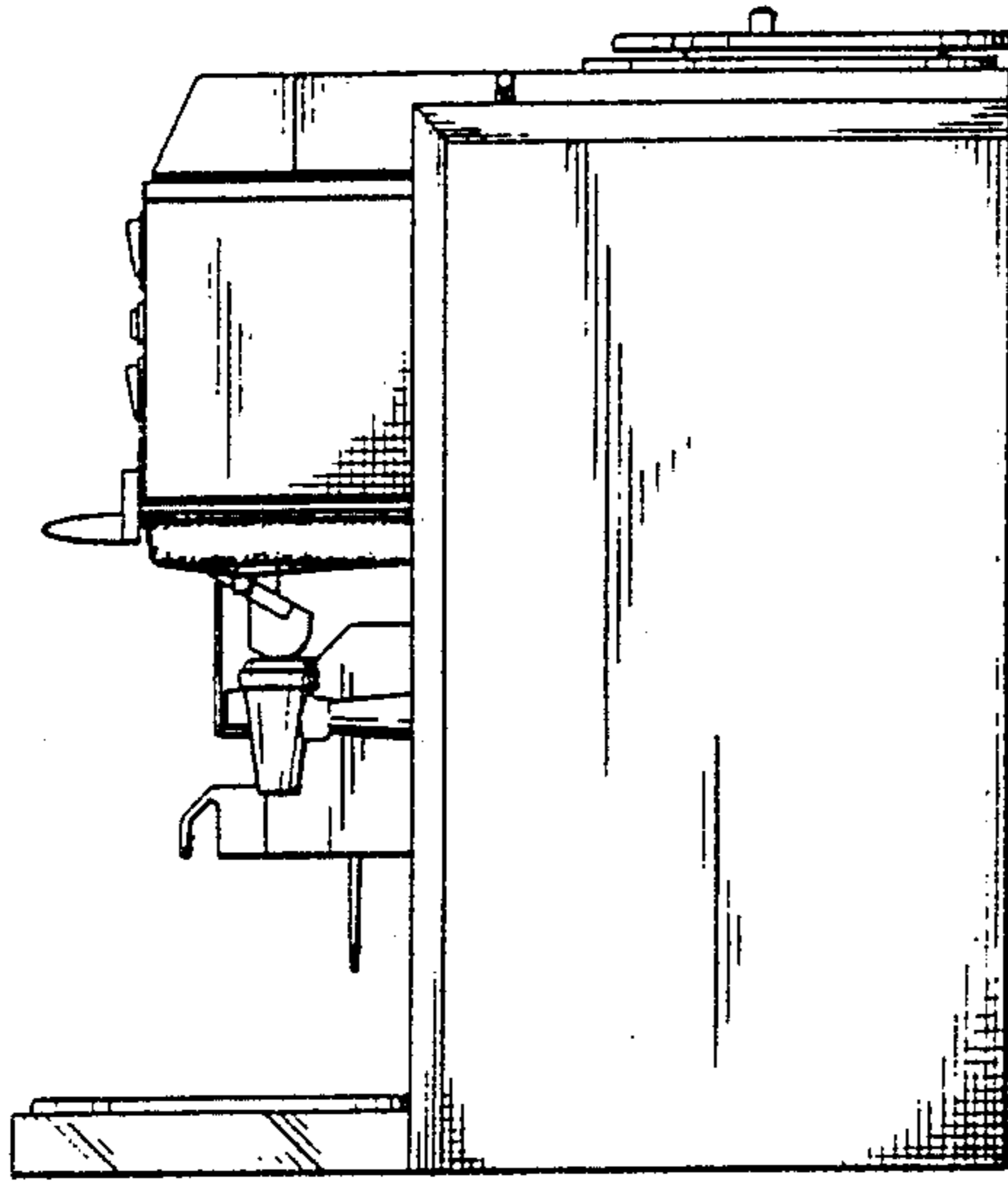


Fig. 3

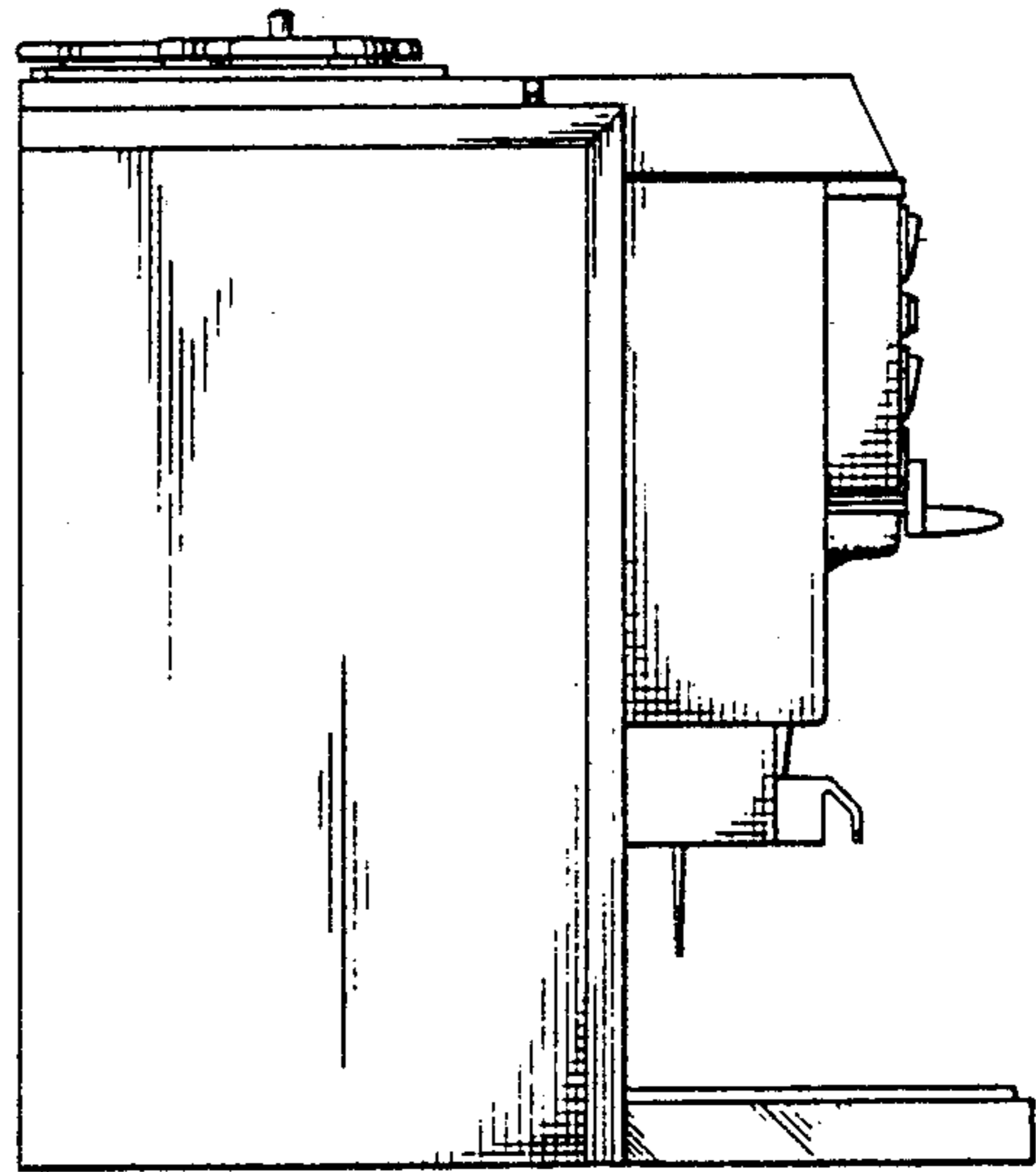


Fig. 4

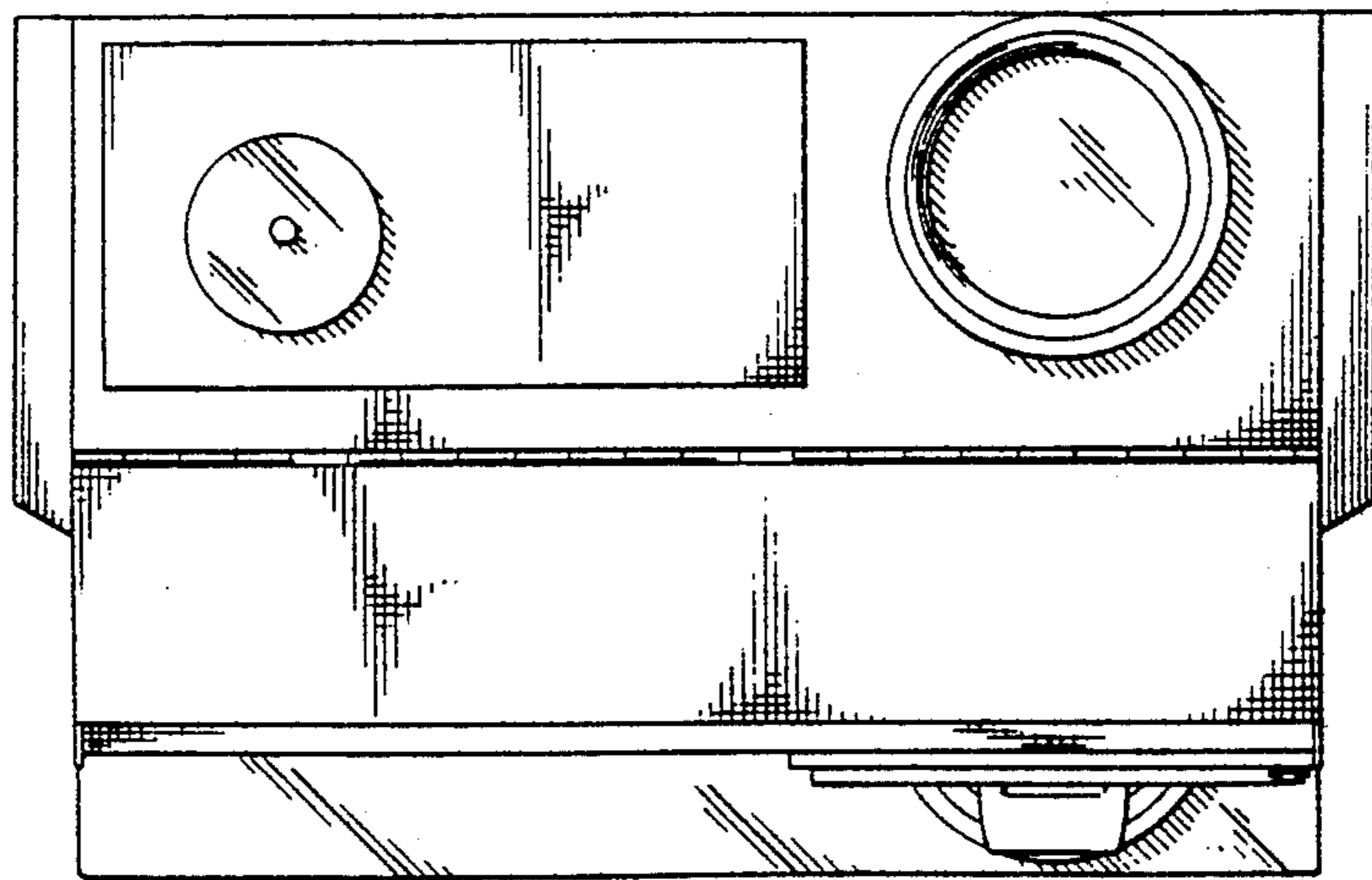


Fig. 5

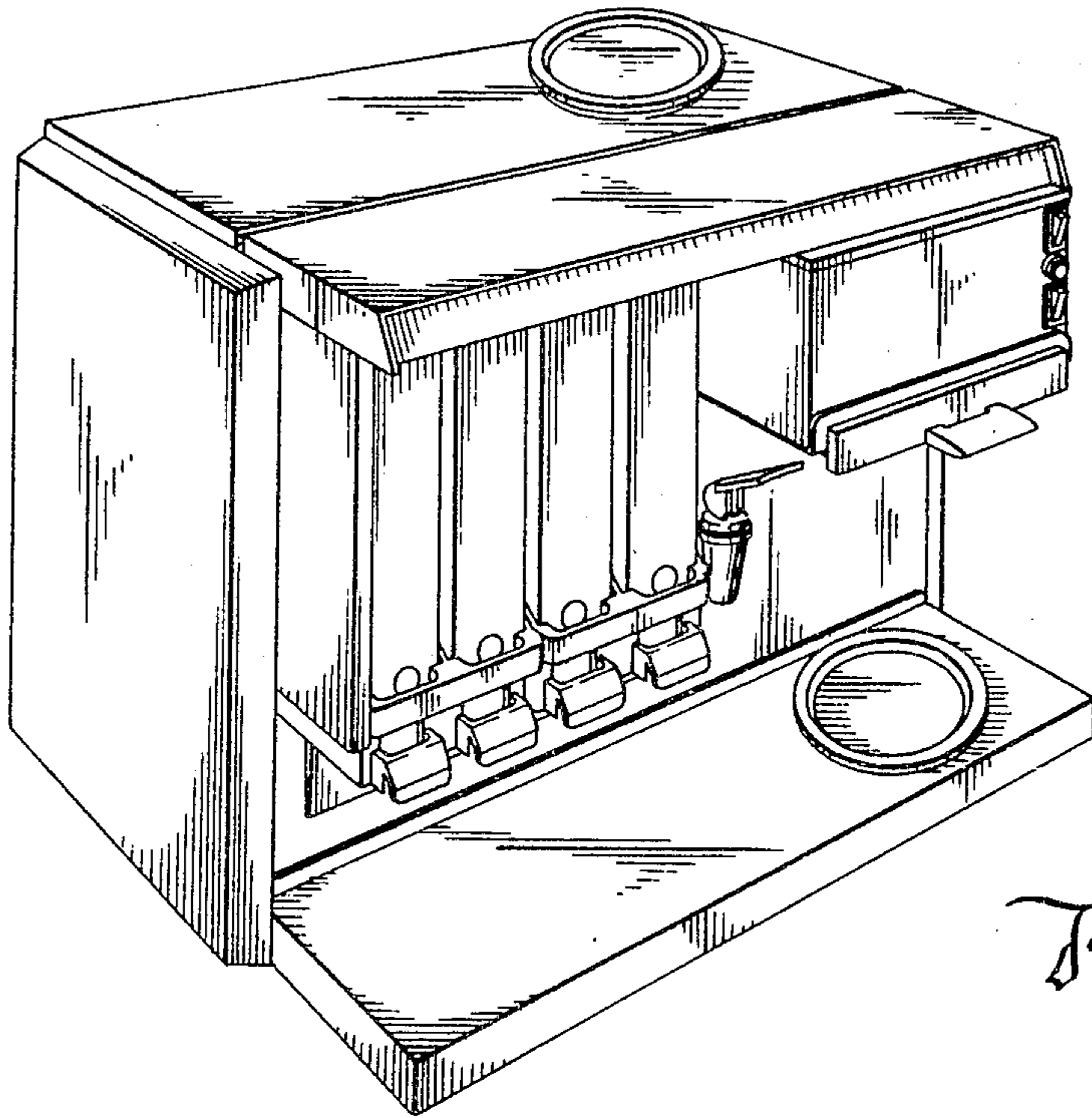


Fig. 6

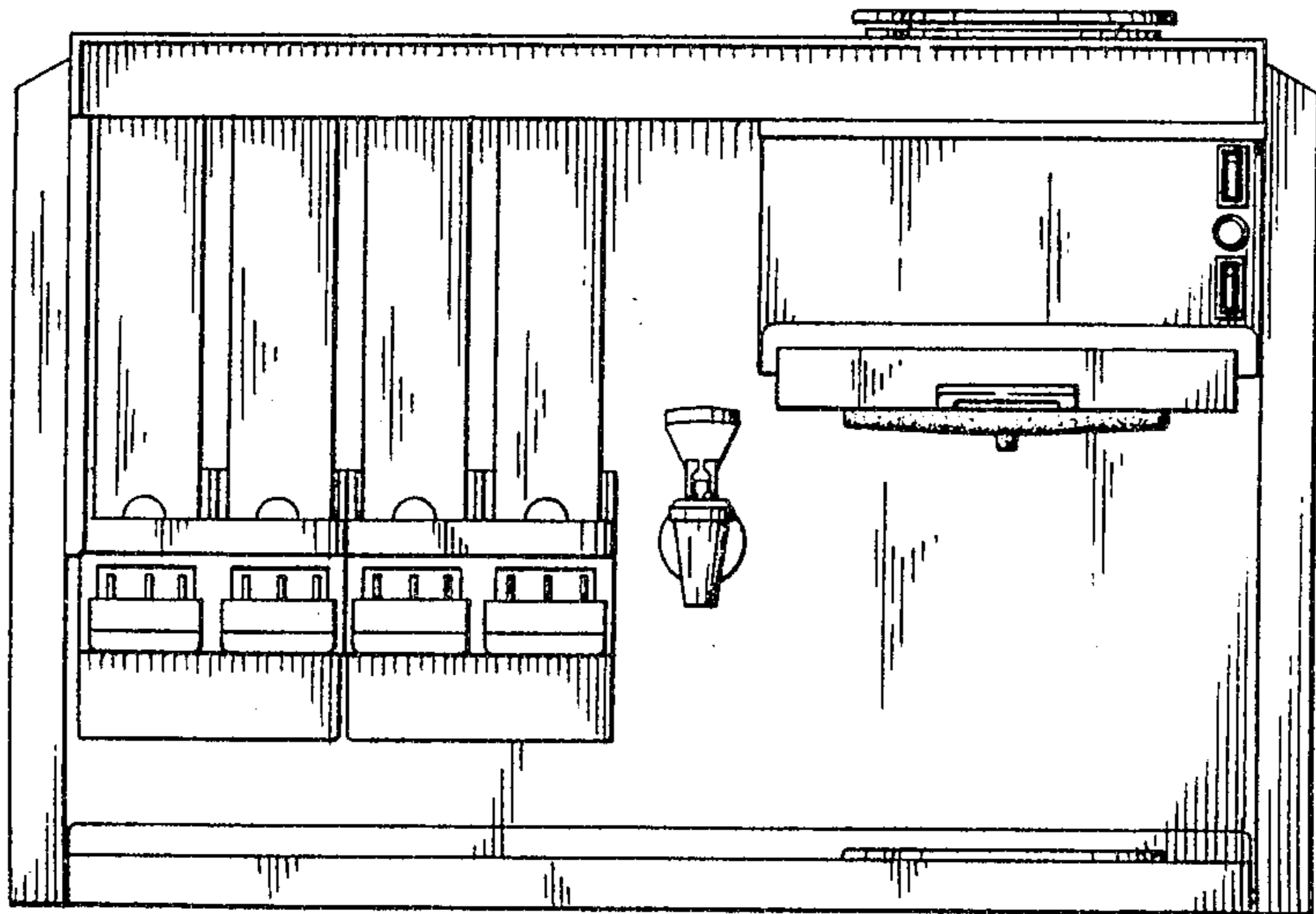


Fig. 7

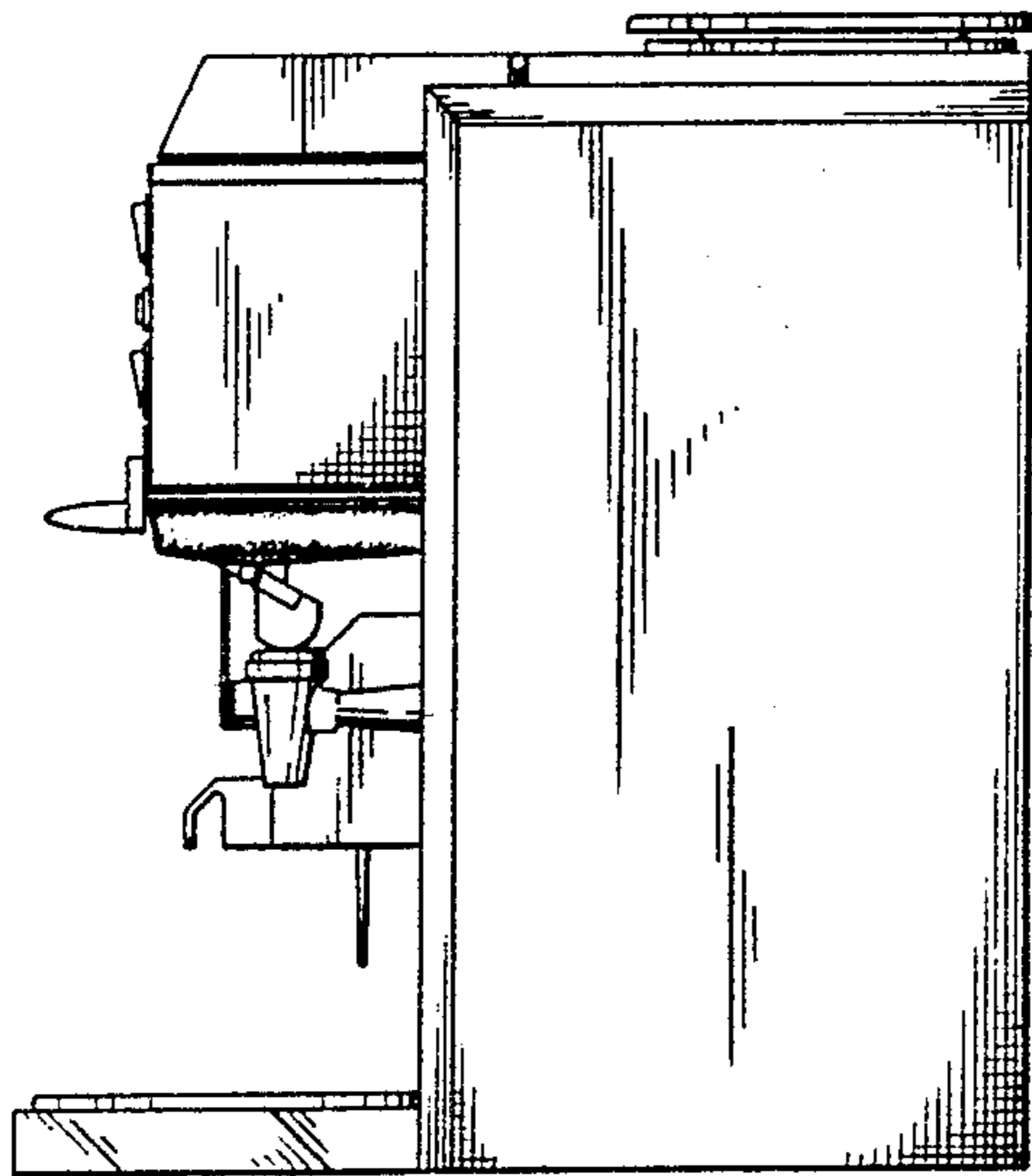


Fig. 8

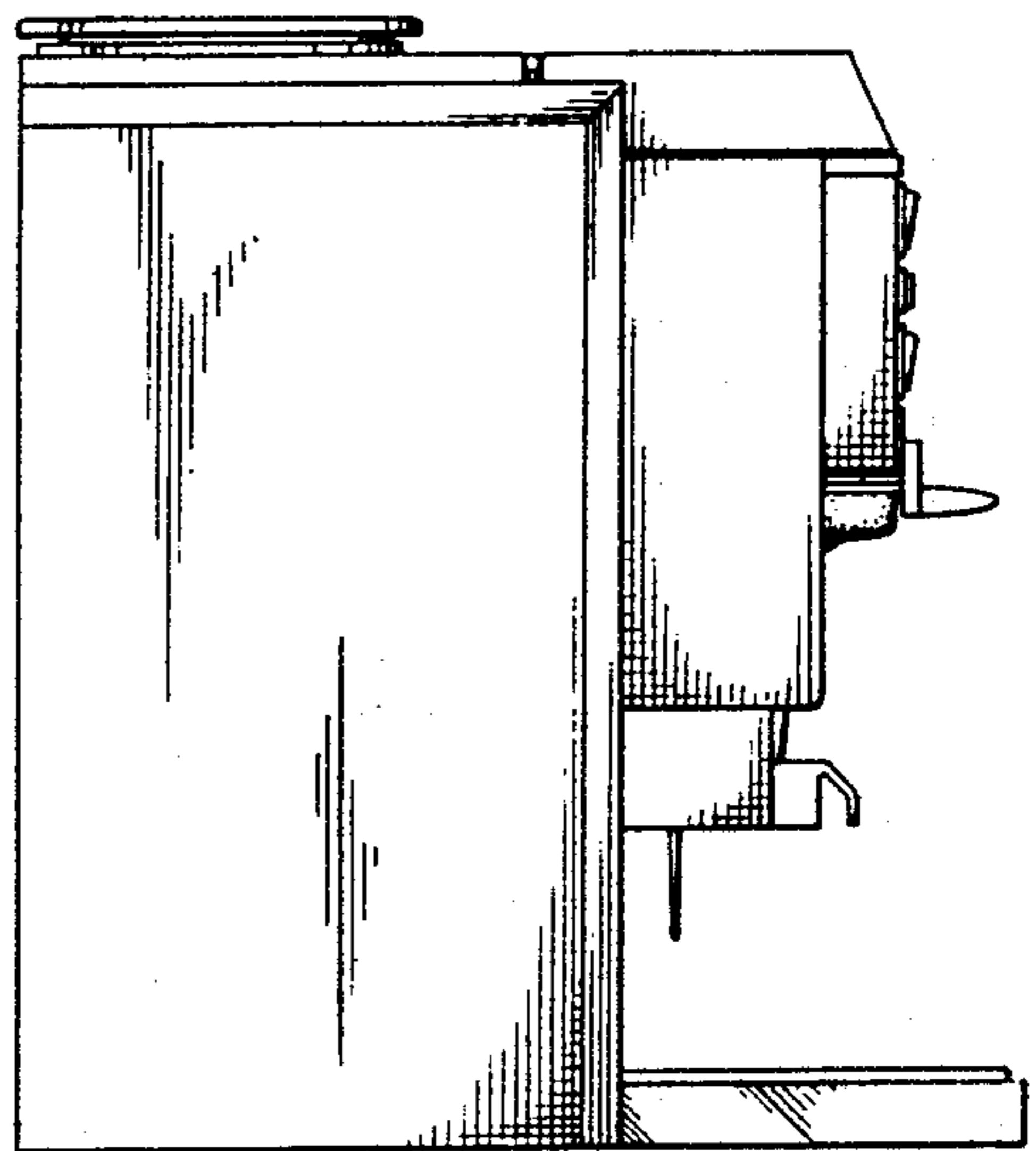


Fig. 9

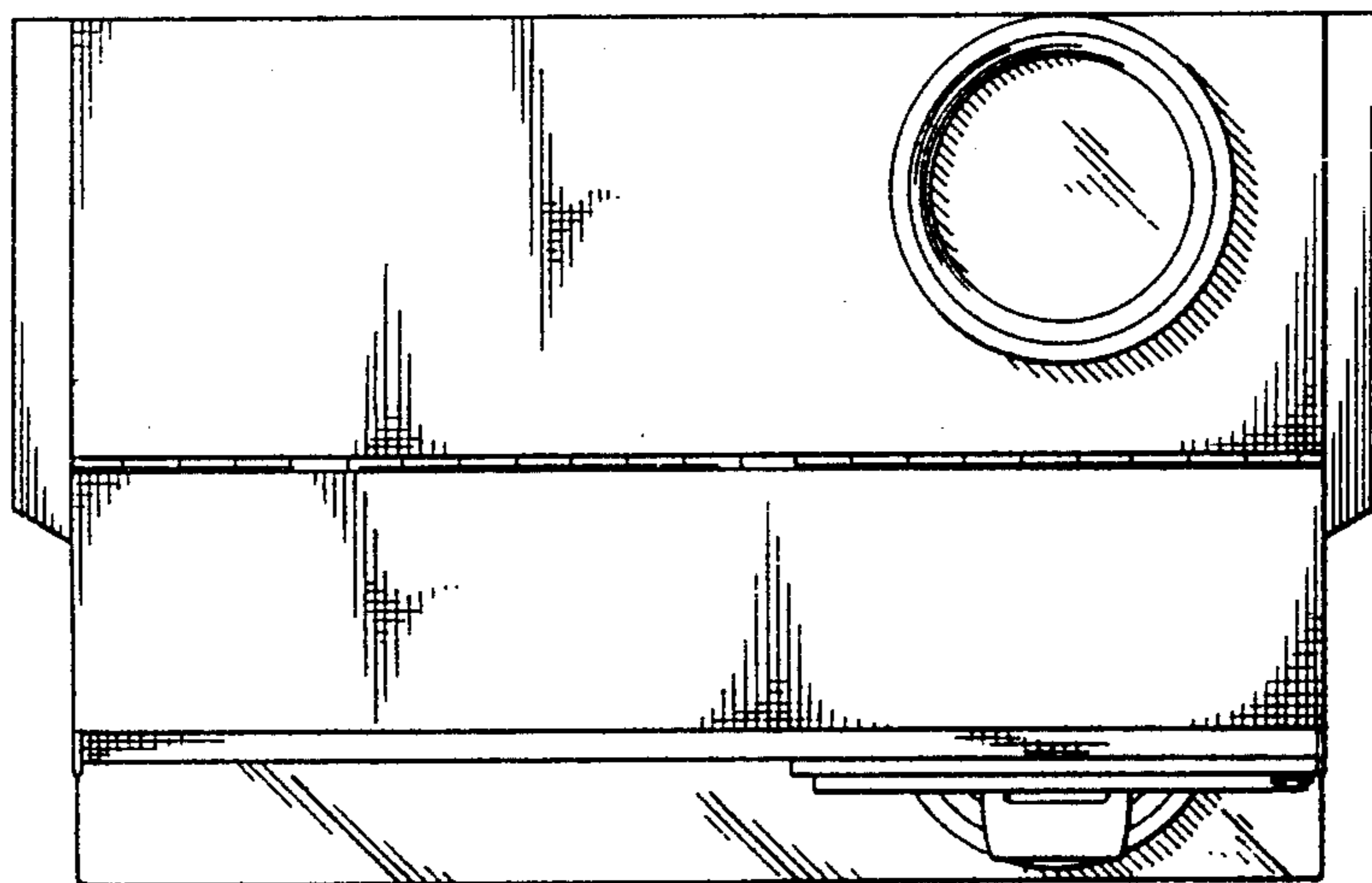


Fig. 10