

[54] PICNIC BASKET

[76] Inventor: Martin Blumenthal, 99 Longview Ave., Chatham, N.J. 07928

[**] Term: 14 Years

[21] Appl. No.: 533,367

[22] Filed: Sep. 19, 1983

[52] U.S. Cl. D7/76

[58] Field of Search D7/76, 70, 71; 217/122-125; D34/42, 40, 44; 150/48

[56] References Cited

U.S. PATENT DOCUMENTS

D. 104,886	6/1937	Shuttleworth	D7/76
D. 250,384	11/1978	Dziekonski	D7/76
D. 268,217	3/1983	Stevens	D34/42
450,112	4/1891	Snow	217/122
1,153,057	9/1915	Garritson	217/125

OTHER PUBLICATIONS

Garbrecht; Jun. 16, 1897; No. 14,541.

Primary Examiner—Bernard Ansher

Assistant Examiner—Terry Pfeffer

Attorney, Agent, or Firm—George E. Kersey

[57] CLAIM

The ornamental design for a picnic basket, as shown and described.

DESCRIPTION

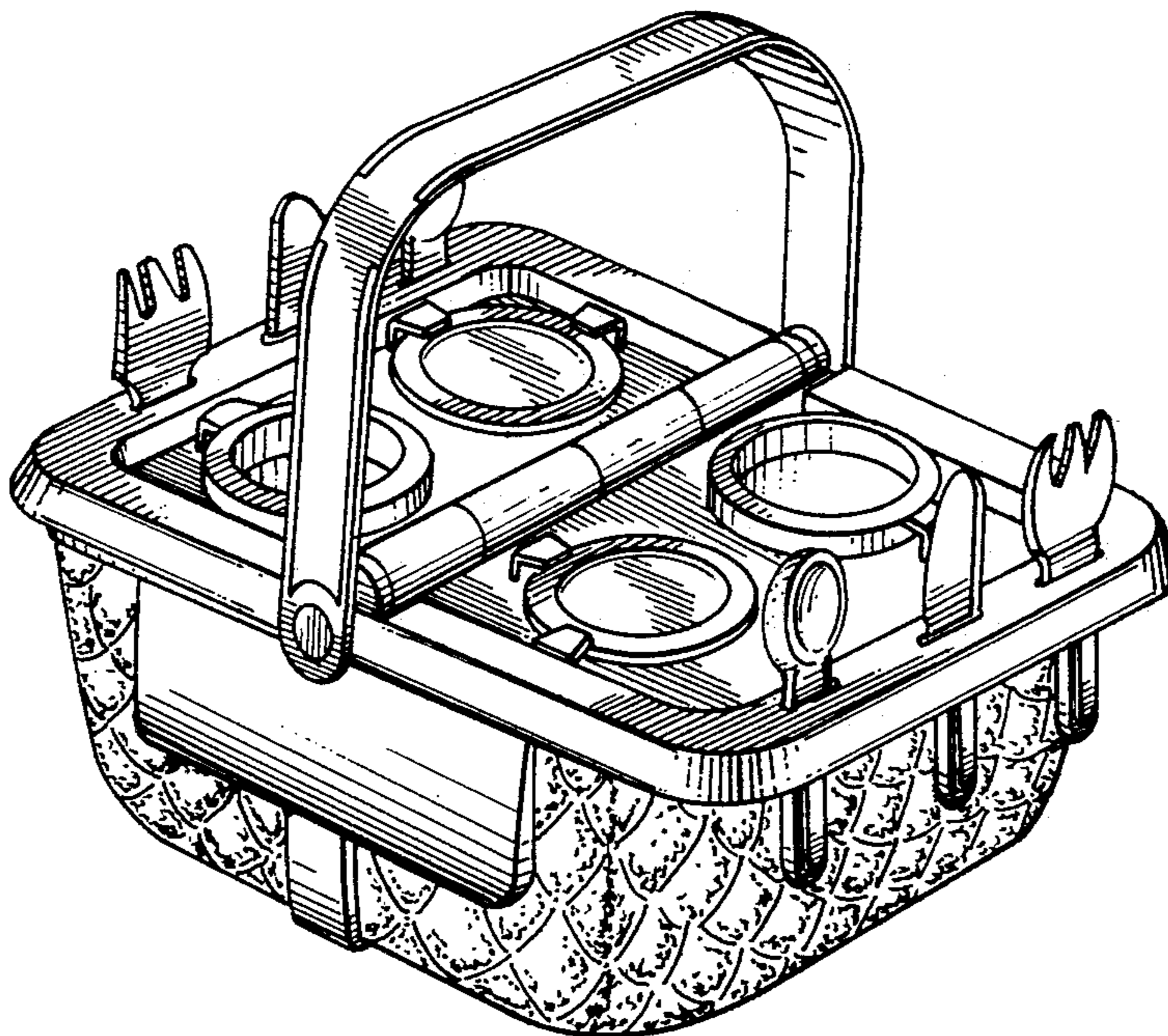
FIG. 1 is a top, front, left side perspective view of a picnic basket showing my new design;

FIG. 2 is a front elevational view thereof, the opposite side being a mirror image;

FIG. 3 is a left side elevational view thereof, the opposite side being a mirror image;

FIG. 4 is a top plan view thereof; and

FIG. 5 is a bottom plan view thereof.



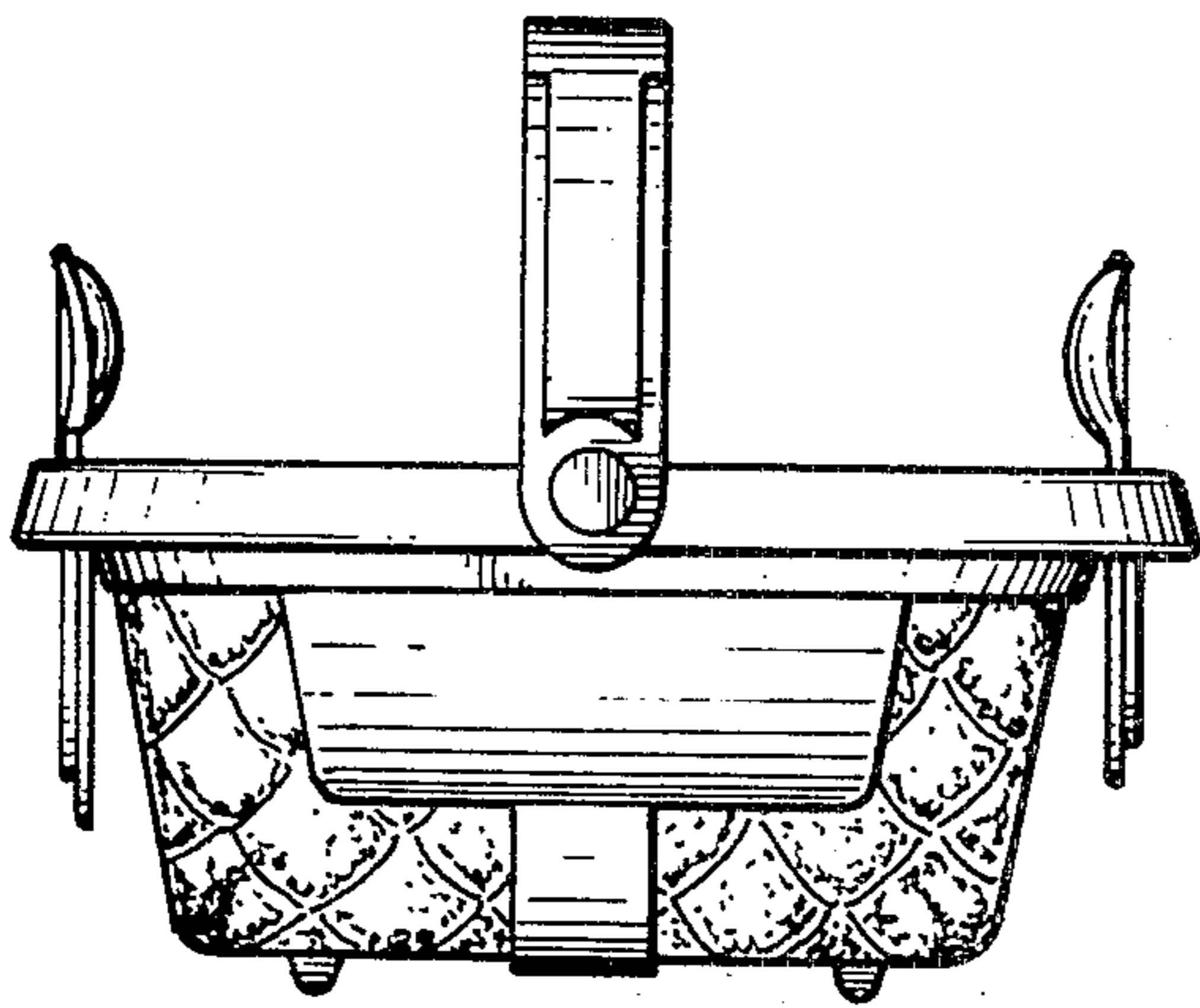
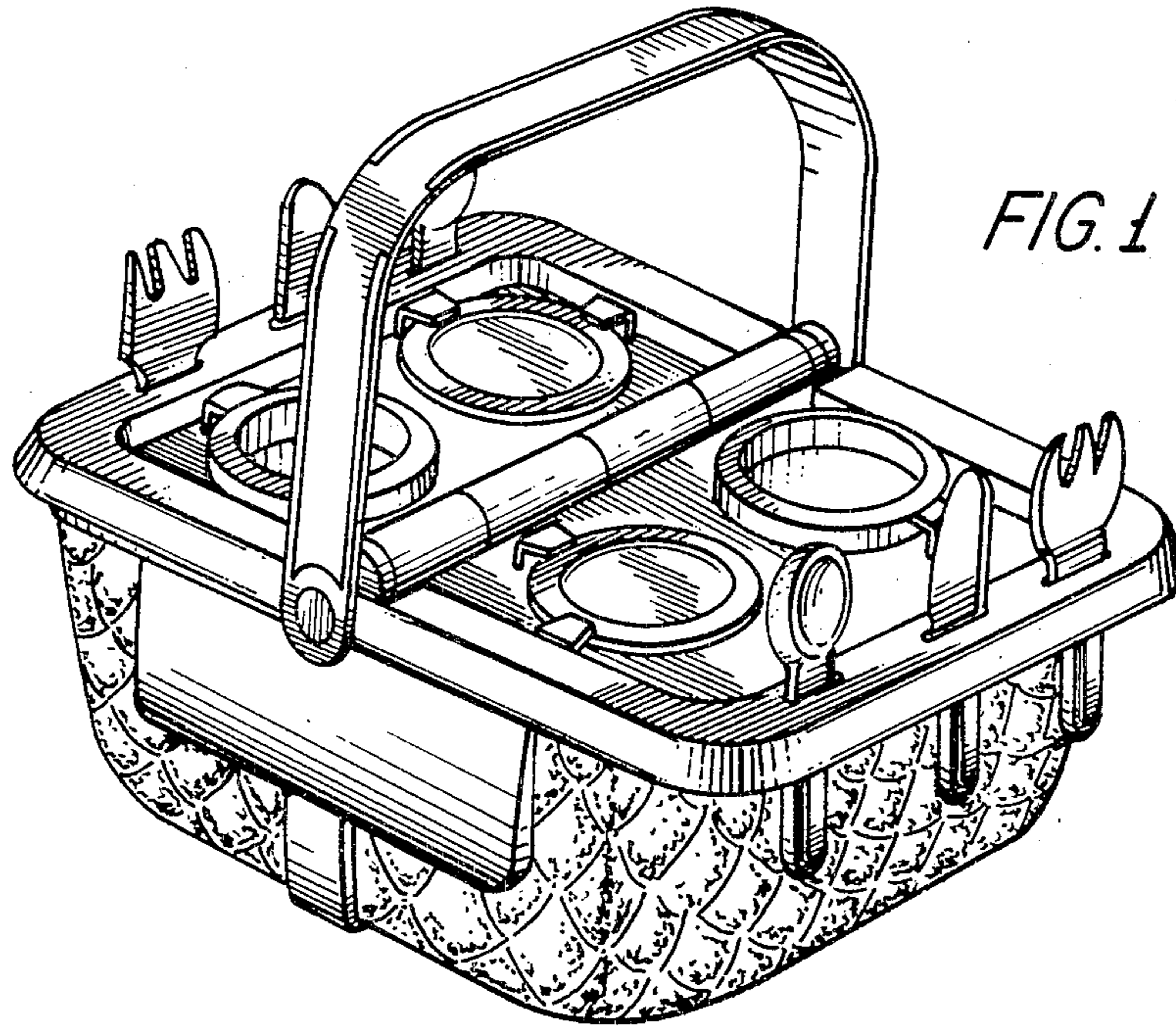
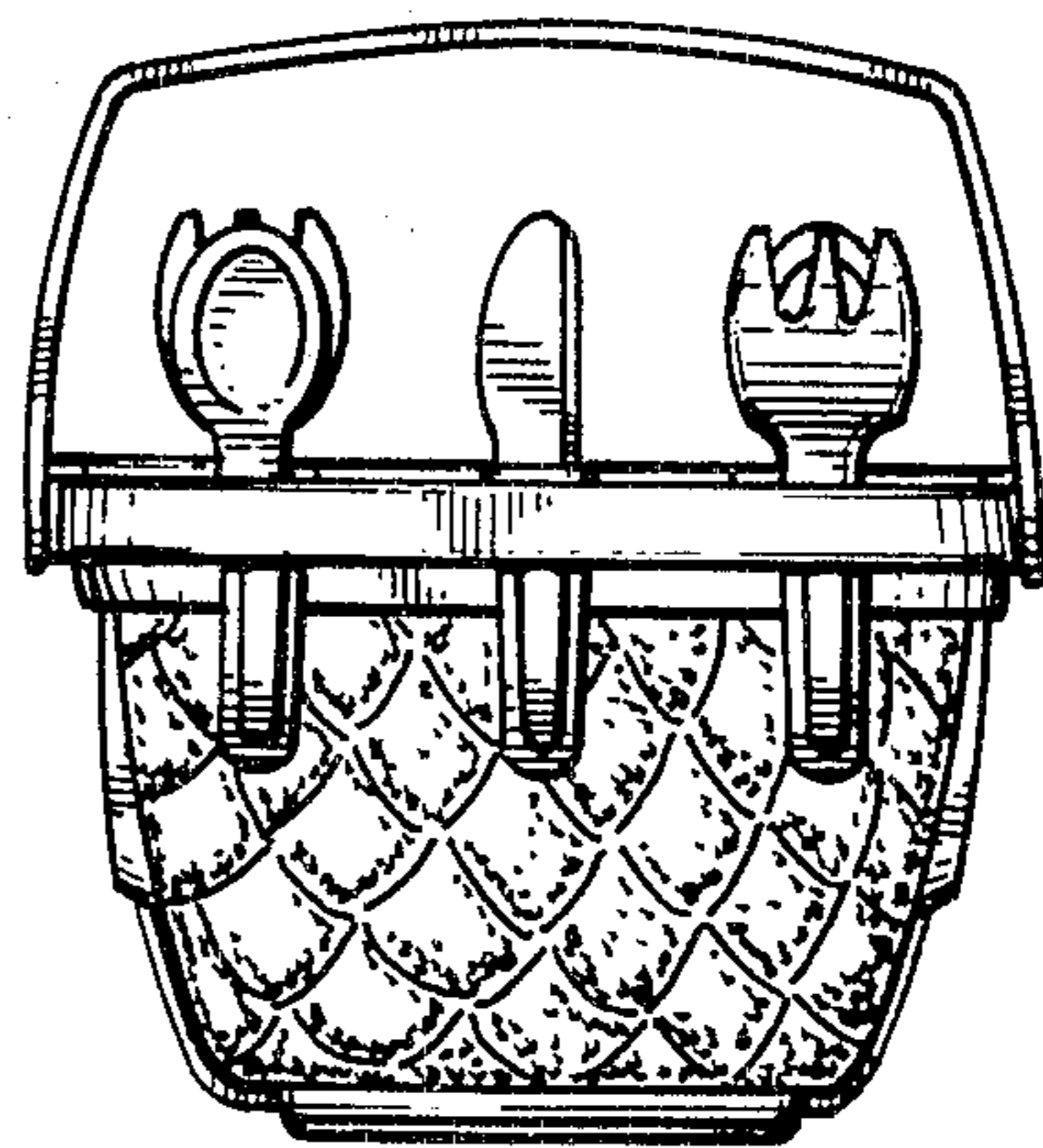


FIG. 2



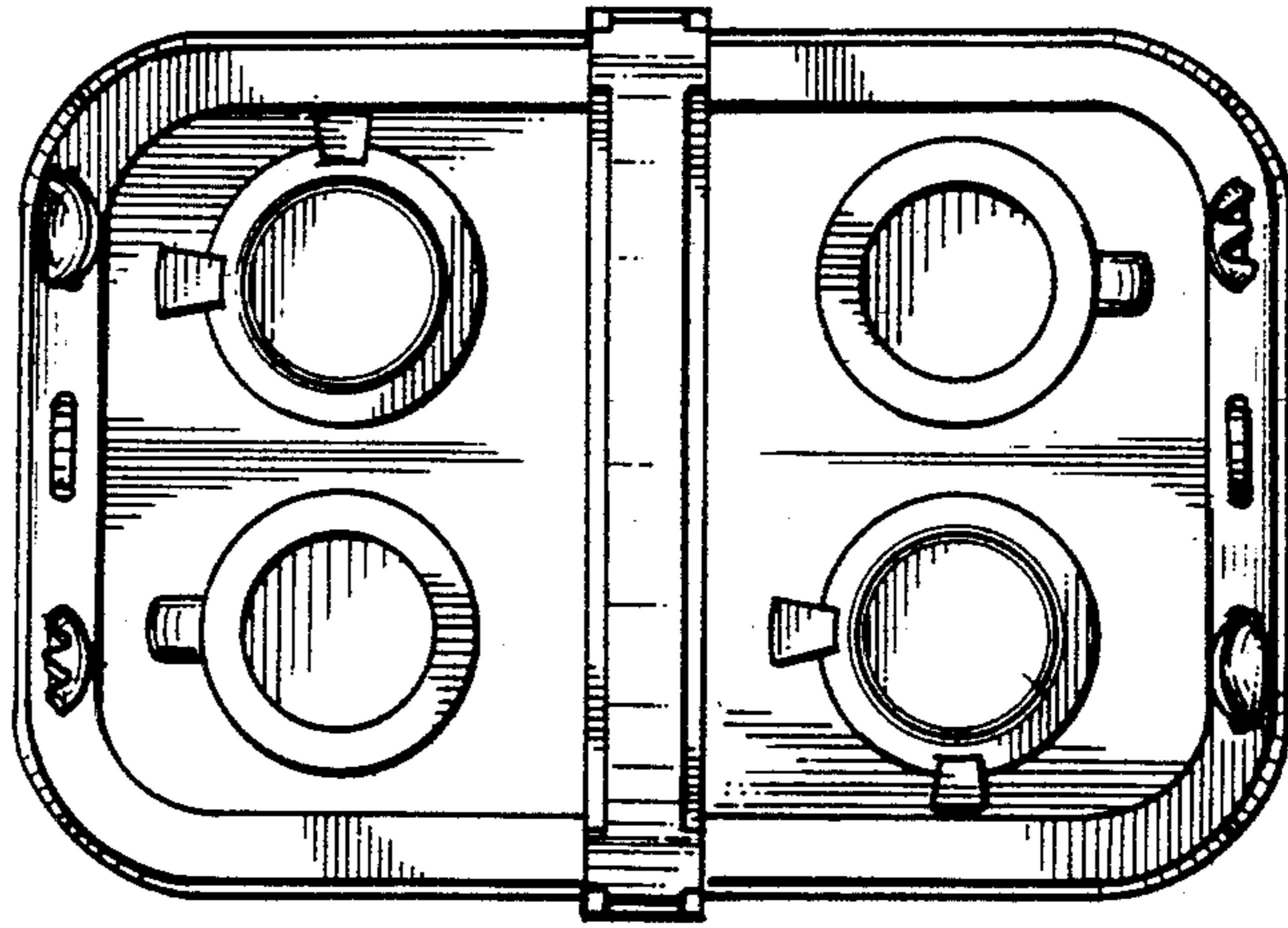


FIG. 4

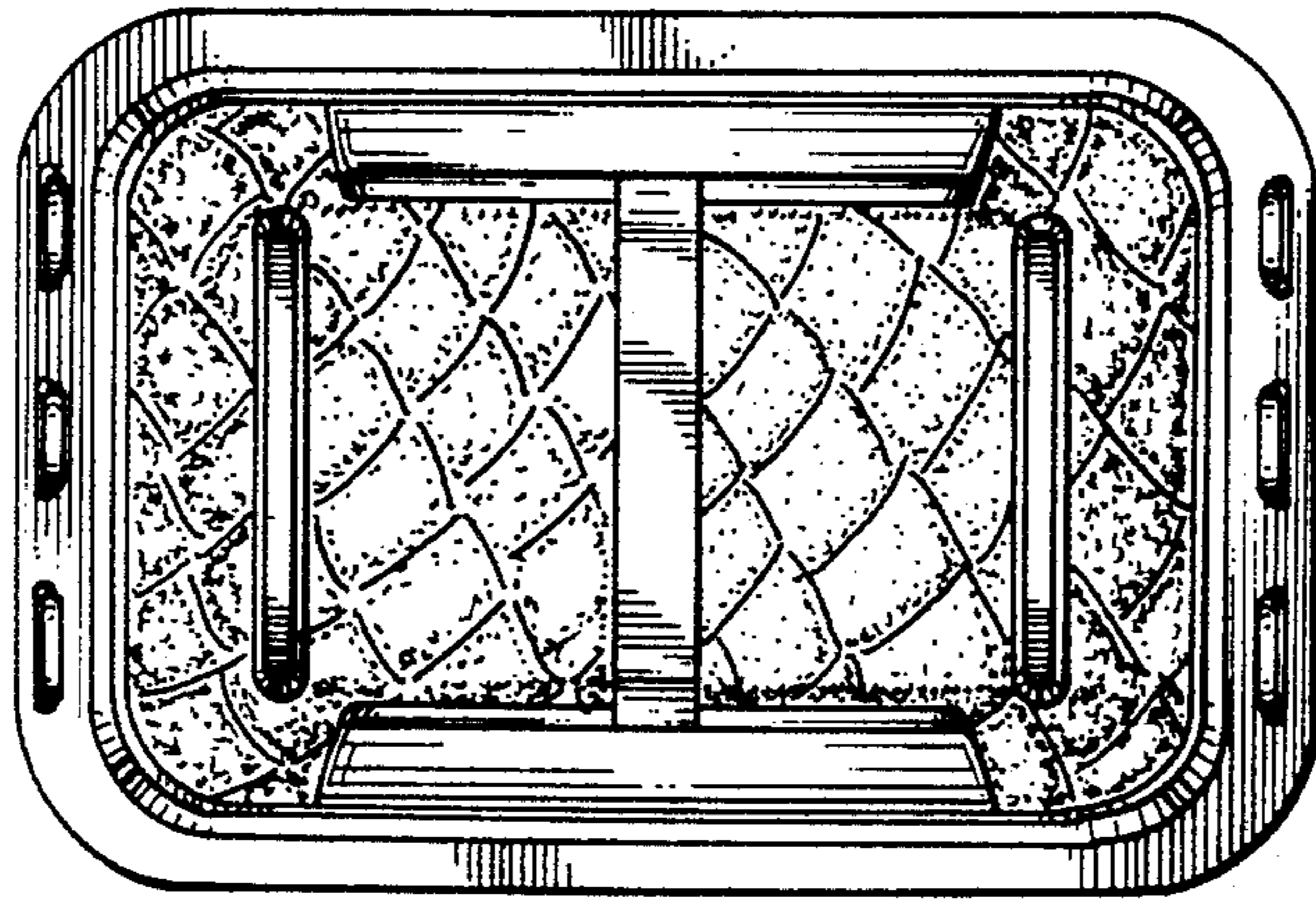


FIG. 5