

[54] PORTABLE SEAT PAD FOR USE IN A SHOPPING CART

D. 276,954 1/1985 Kruger D6/596 X

Primary Examiner—Bruce W. Dunkins

[76] Inventor: Ken Tennen, P.O. Box 5411, Ocean Park Station, Santa Monica, Calif. 90405-0411

[57] CLAIM

The ornamental design for a portable seat pad for use in a shopping cart, as shown and described.

[**] Term: 14 Years

DESCRIPTION

[21] Appl. No.: 650,122

FIG. 1 is a perspective view showing my invention as applied to a child's seat of a shopping cart; the broken lines depicting a child figure and a fragmentary shopping cart are for illustrative purposes only;

[22] Filed: Sep. 13, 1984

[52] U.S. Cl. D6/596; D7/333

[58] Field of Search D6/333, 356, 596; D3/71; 297/243

FIG. 2 is a perspective view of my invention as folded into a self-contained compact carrying case;

[56] References Cited

U.S. PATENT DOCUMENTS

- D. 102,328 12/1936 Hanna D6/596
- D. 230,117 1/1974 Johnson D6/596
- D. 236,552 8/1975 Wagner et al. D3/75
- D. 261,464 10/1981 Smith D6/596
- D. 266,470 10/1982 Gammons et al. D6/596
- D. 267,522 1/1983 Stark D3/71

FIG. 3 is a top plane view of the pattern comprising my invention shown in FIG. 1;

FIG. 4 is a front edge view of FIG. 3 which is also a mirror image of the back edge view;

FIG. 5 is the left edge view of FIG. 3;

FIG. 6 is the right edge view of FIG. 3;

FIG. 7 is the bottom view of the pattern shown in FIG. 3.

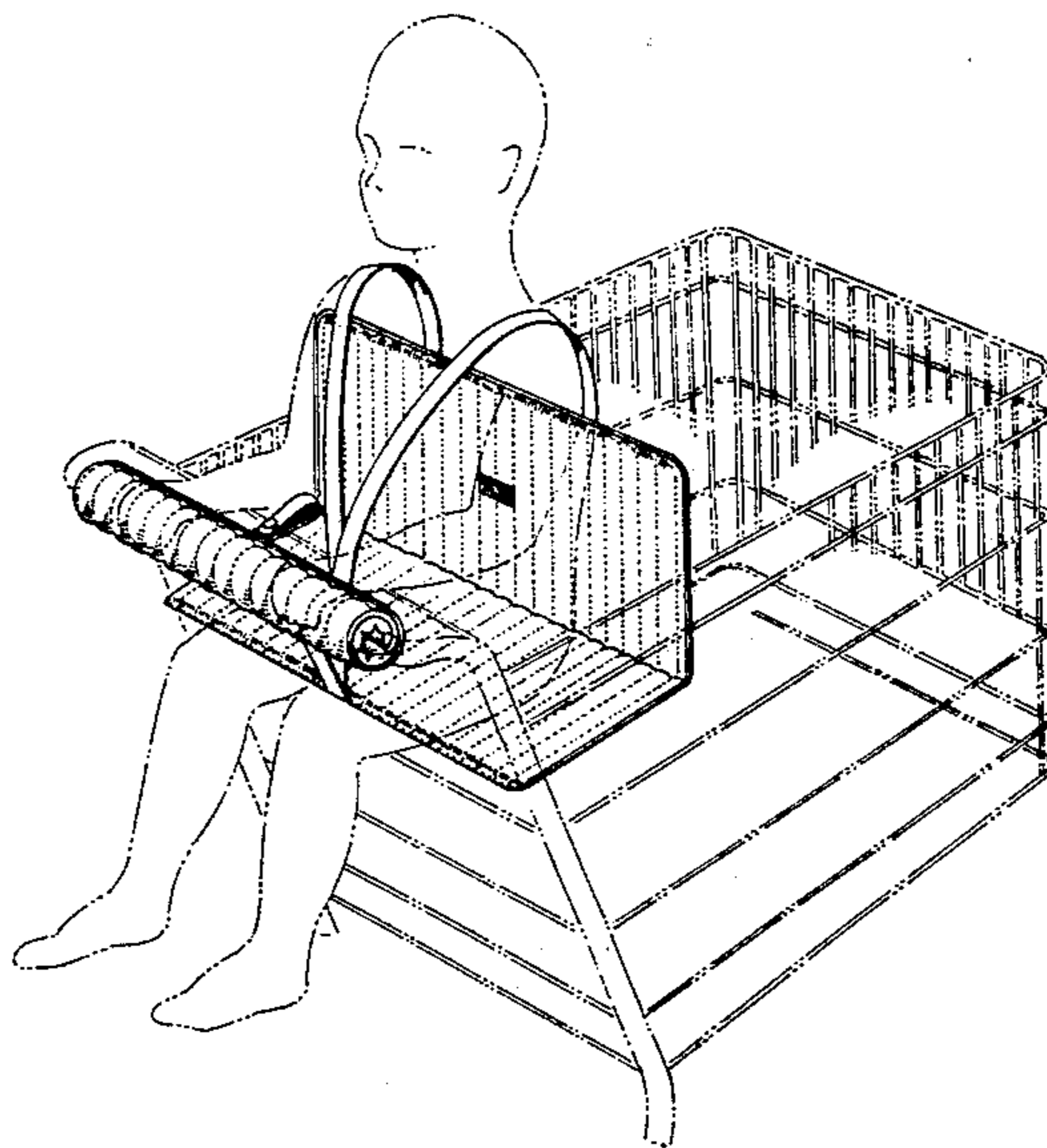


FIG. 1.

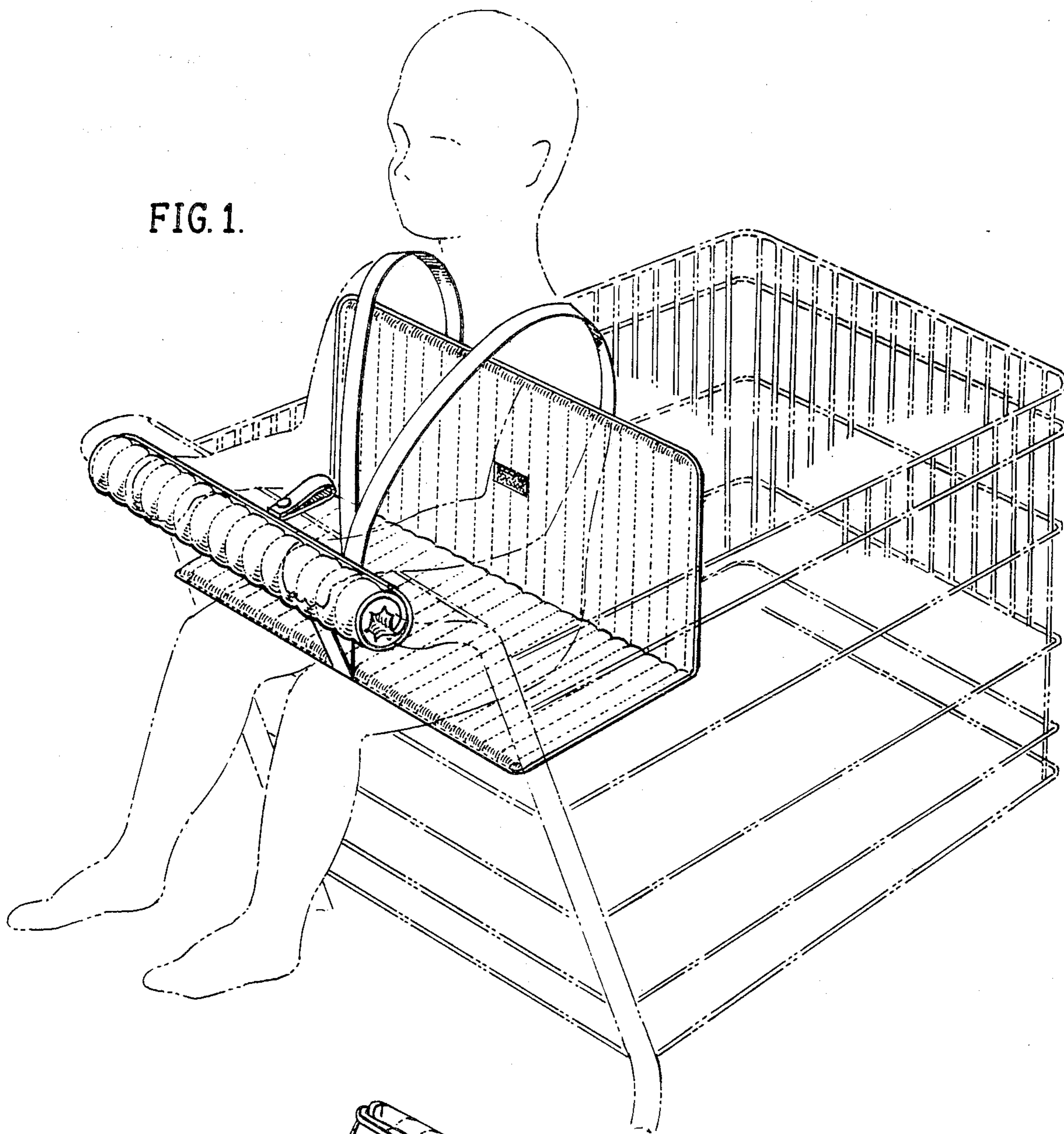
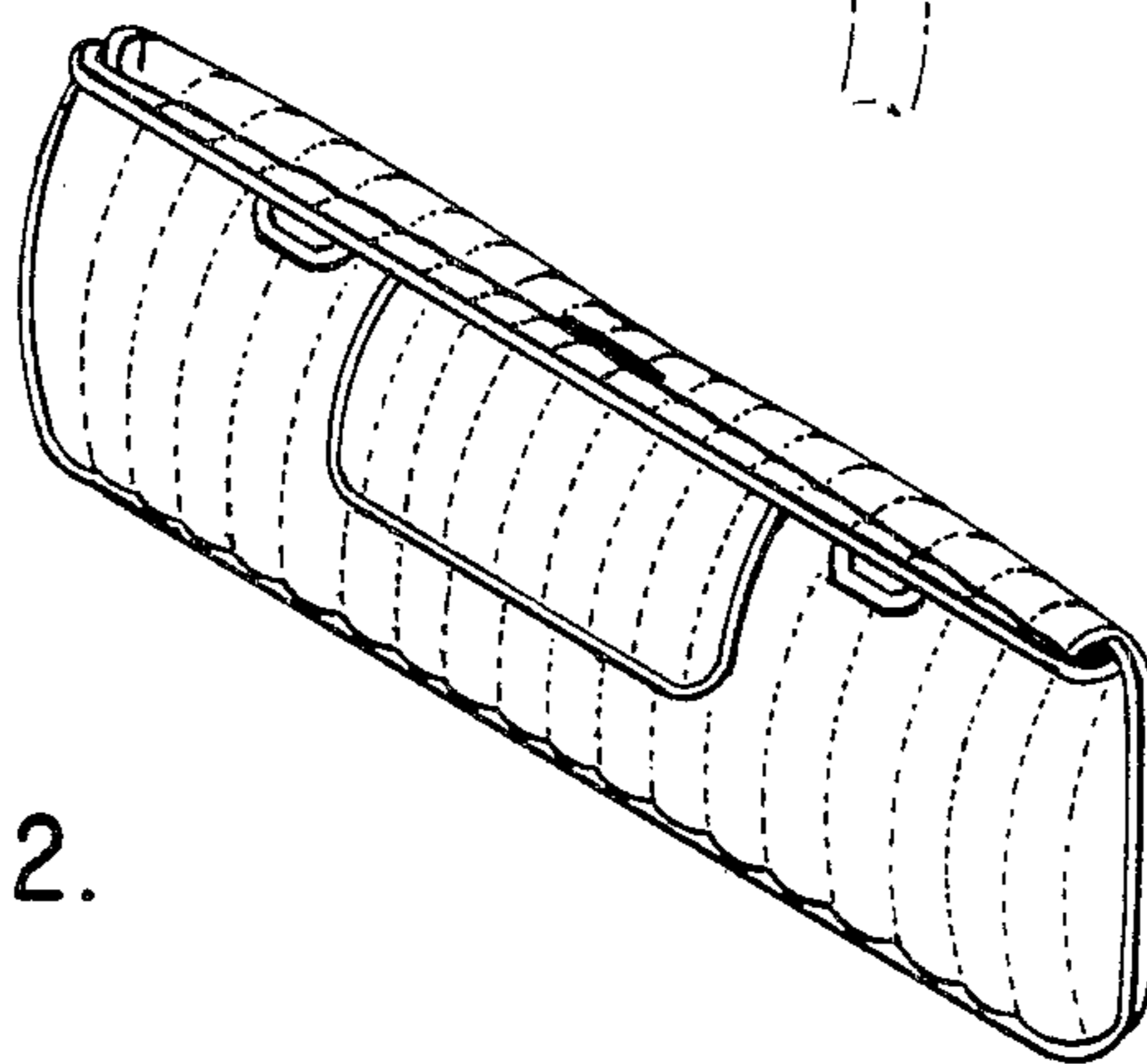


FIG. 2.



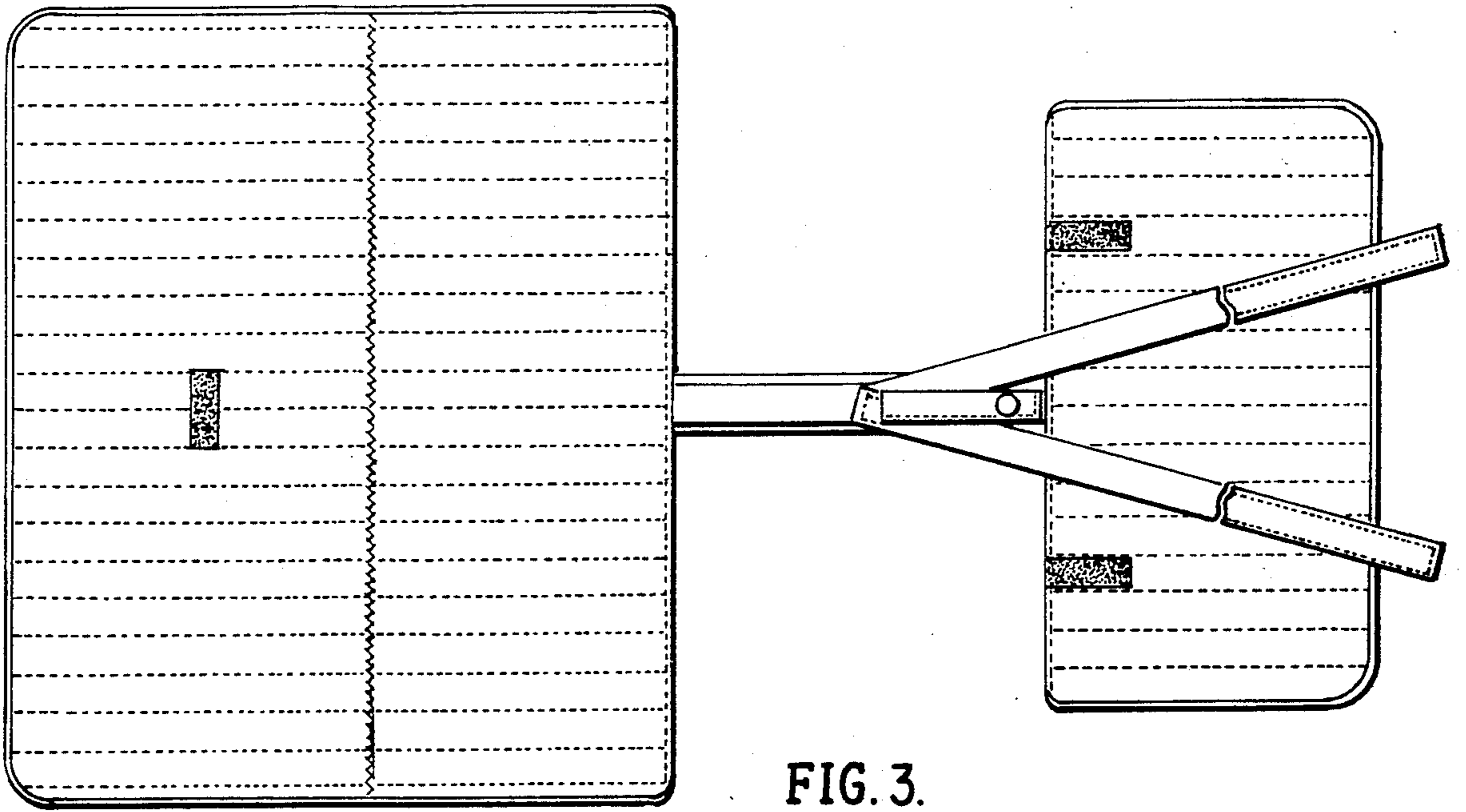


FIG. 3.



FIG. 4.

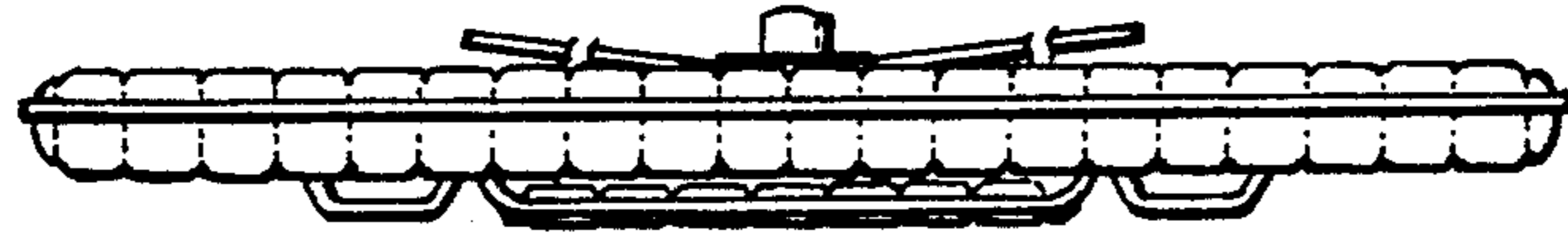


FIG. 5.

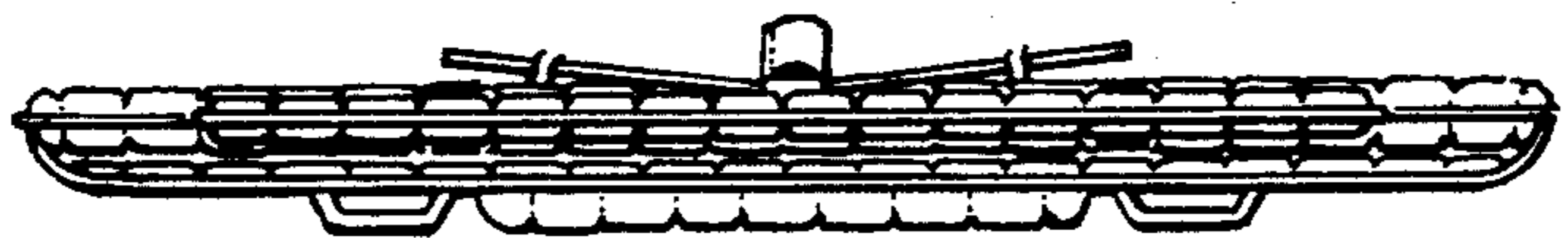


FIG. 6.

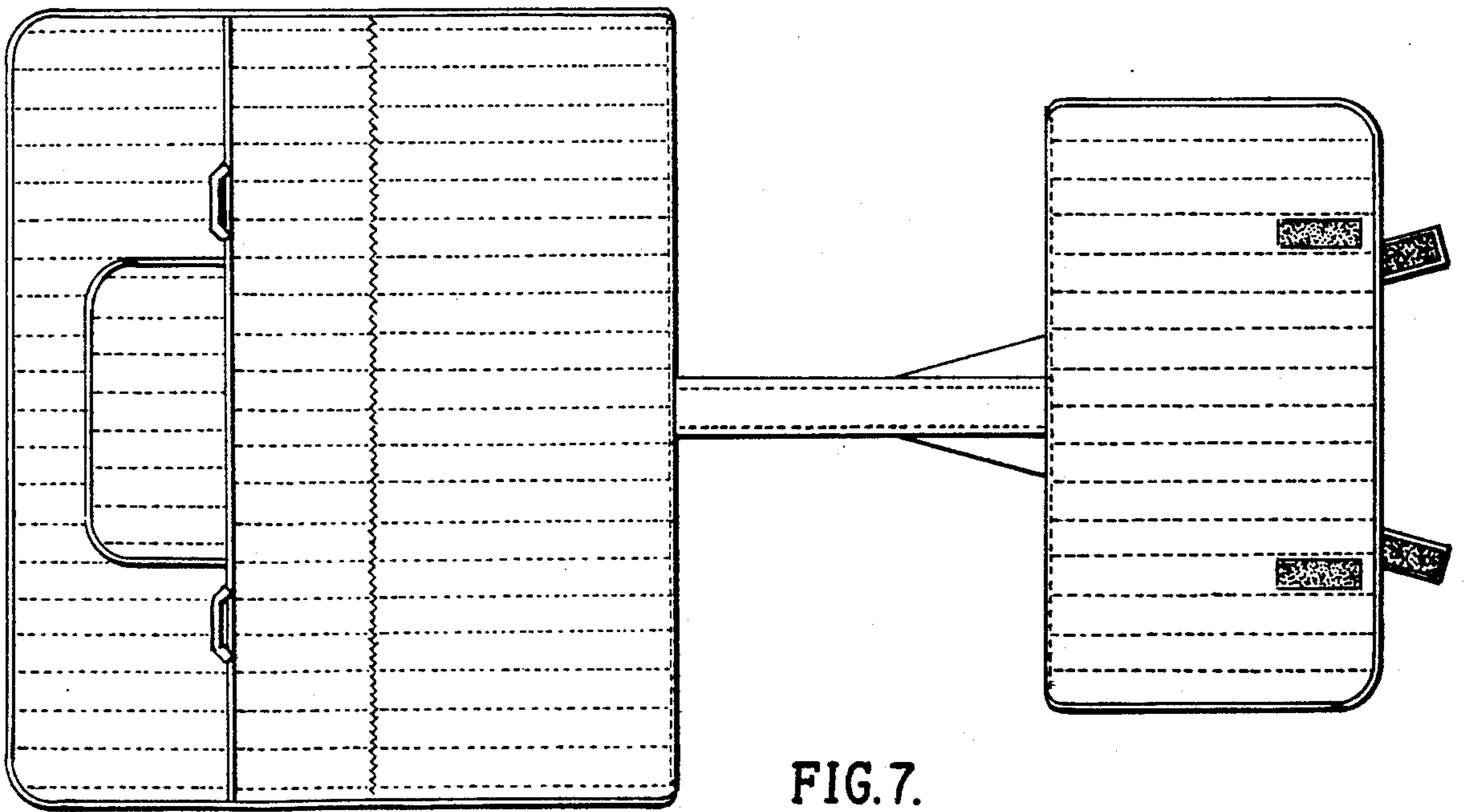


FIG. 7.