

[54] COMBINED SEAT AND KNEE REST SUPPORT ARM FOR A CHAIR

[76] Inventor: Peter Opsvik, Högtnuveien 12, 1370 Asker, Norway

[**] Term: 14 Years

[21] Appl. No.: 791,333

[22] Filed: Oct. 25, 1985

Related U.S. Application Data

[62] Division of Ser. No. 531,868, Sep. 13, 1983.

[30] Foreign Application Priority Data

Mar. 17, 1983 [NO] Norway 63853
[52] U.S. Cl. D6/500; D6/491
[58] Field of Search D6/330, 335, 338; 182/129; 297/271, 272, 423, 424, 431

[56] References Cited

U.S. PATENT DOCUMENTS

D. 239,793	5/1976	Jones	D6/338
D. 260,203	8/1981	Arnold	D6/354 X
D. 277,722	2/1985	Gusrud	D6/354 X
D. 282,608	2/1986	Crowe	D6/500 X

Primary Examiner—Bruce W. Dunkins
Attorney, Agent, or Firm—Darby & Darby

[57] CLAIM

The ornamental design for a combined seat and knee rest support arm for a chair, substantially as shown and described.

DESCRIPTION

FIG. 1 is a bottom perspective view of a combined seat and knee rest support arm for a chair showing my design; and
FIG. 2 is a top perspective view thereof.

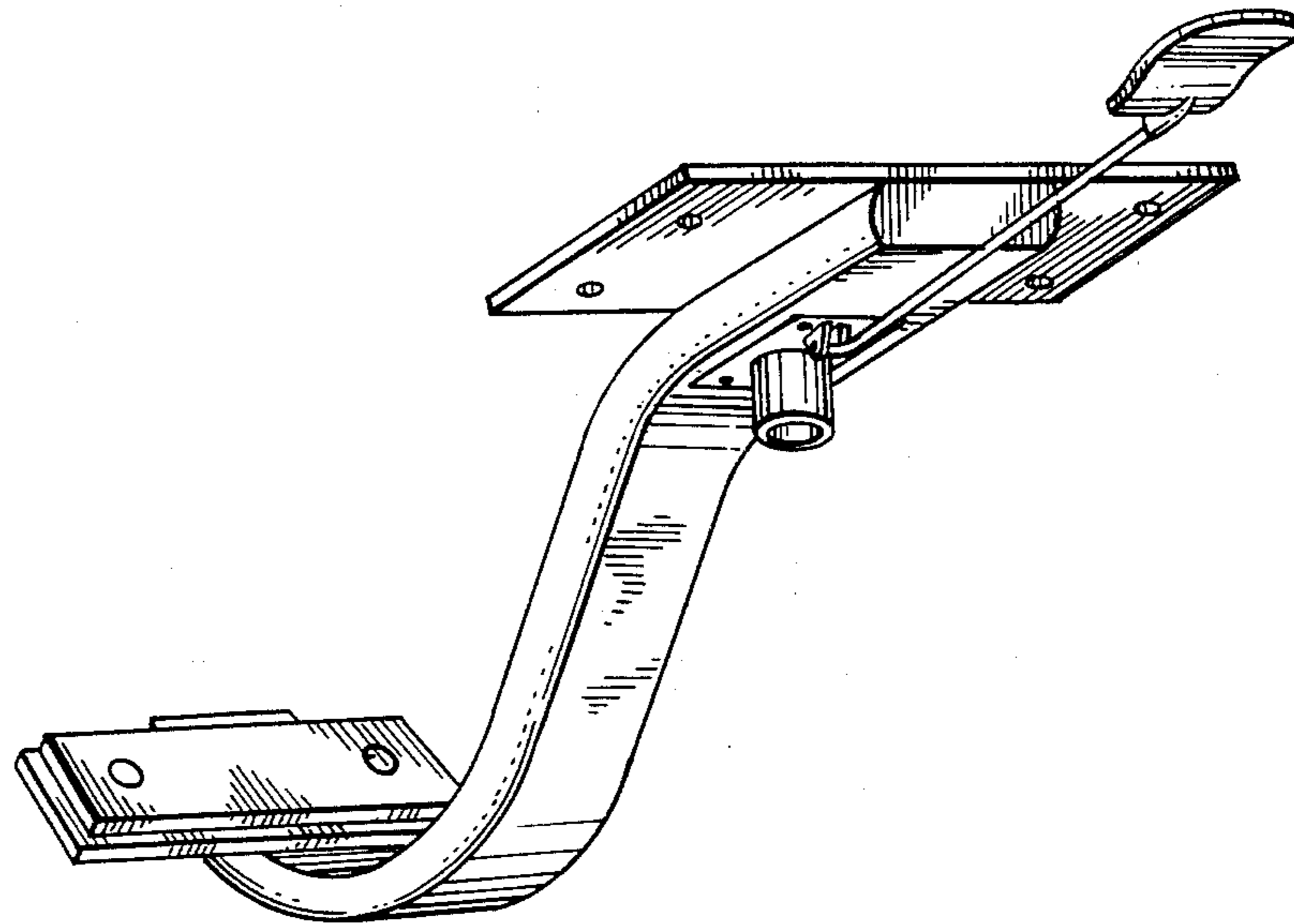


FIG. 1

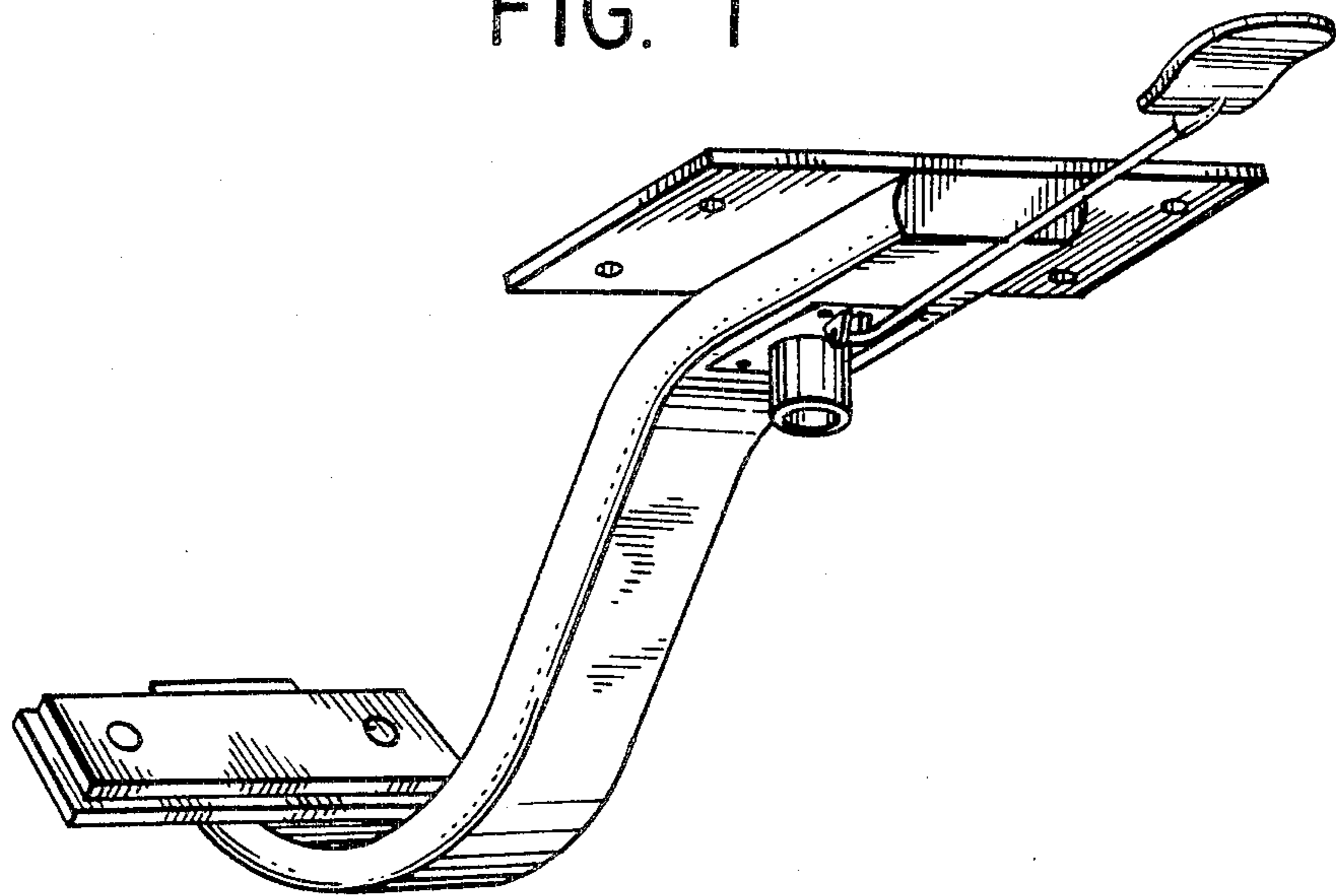


FIG. 2

