

[54] COMBINED SEAT AND KNEE REST SUPPORT ARM FOR A CHAIR

[58] Field of Search D6/330, 335, 338; 182/129; 297/271, 272, 423, 424, 431

[76] Inventor: Peter Opsvik, Høgtunveien 12, 1370 Asker, Norway

[56] References Cited

U.S. PATENT DOCUMENTS

- D. 239,793 5/1976 Jones D6/338
- D. 260,203 8/1981 Arnold D6/354 X
- D. 277,722 2/1985 Gusrud D6/354 X
- D. 282,608 2/1986 Crowe D6/500 X

[**] Term: 14 Years

Primary Examiner—Bruce W. Dunkins
Attorney, Agent, or Firm—Darby & Darby

[21] Appl. No.: 791,334

[22] Filed: Oct. 25, 1985

[57] CLAIM

Related U.S. Application Data

The ornamental design for a combined seat and knee rest support arm for a chair, as shown.

[62] Division of Ser. No. 531,869, Sep. 13, 1983.

DESCRIPTION

[30] Foreign Application Priority Data

FIG. 1 is a bottom perspective view of a combined seat and knee rest support arm for a chair showing my design; and
FIG. 2 is a top perspective view thereof.

- Mar. 17, 1983 [NO] Norway 63854
- Mar. 17, 1983 [NO] Norway 63855
- [52] U.S. Cl. D6/491

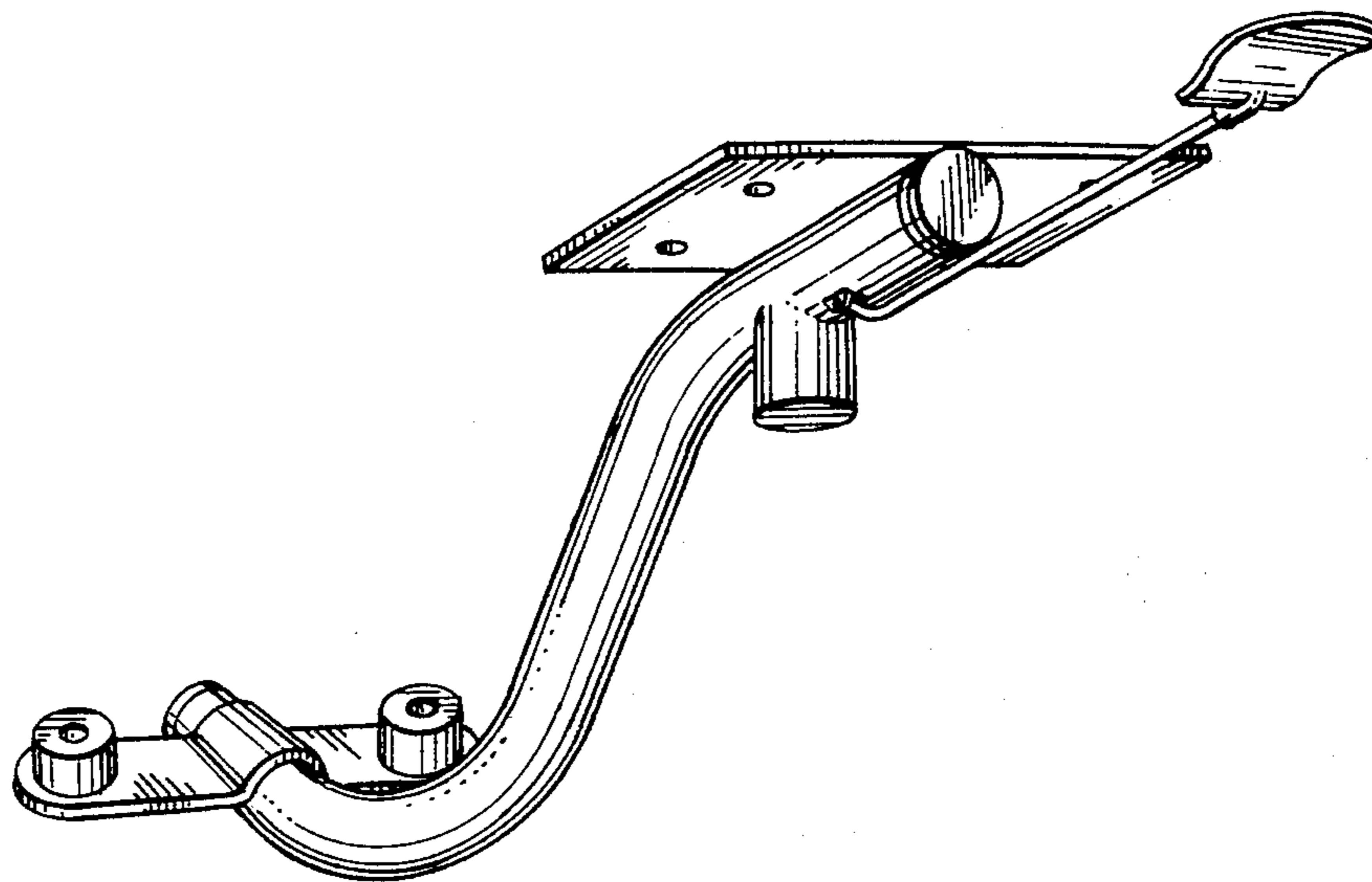


FIG. 1

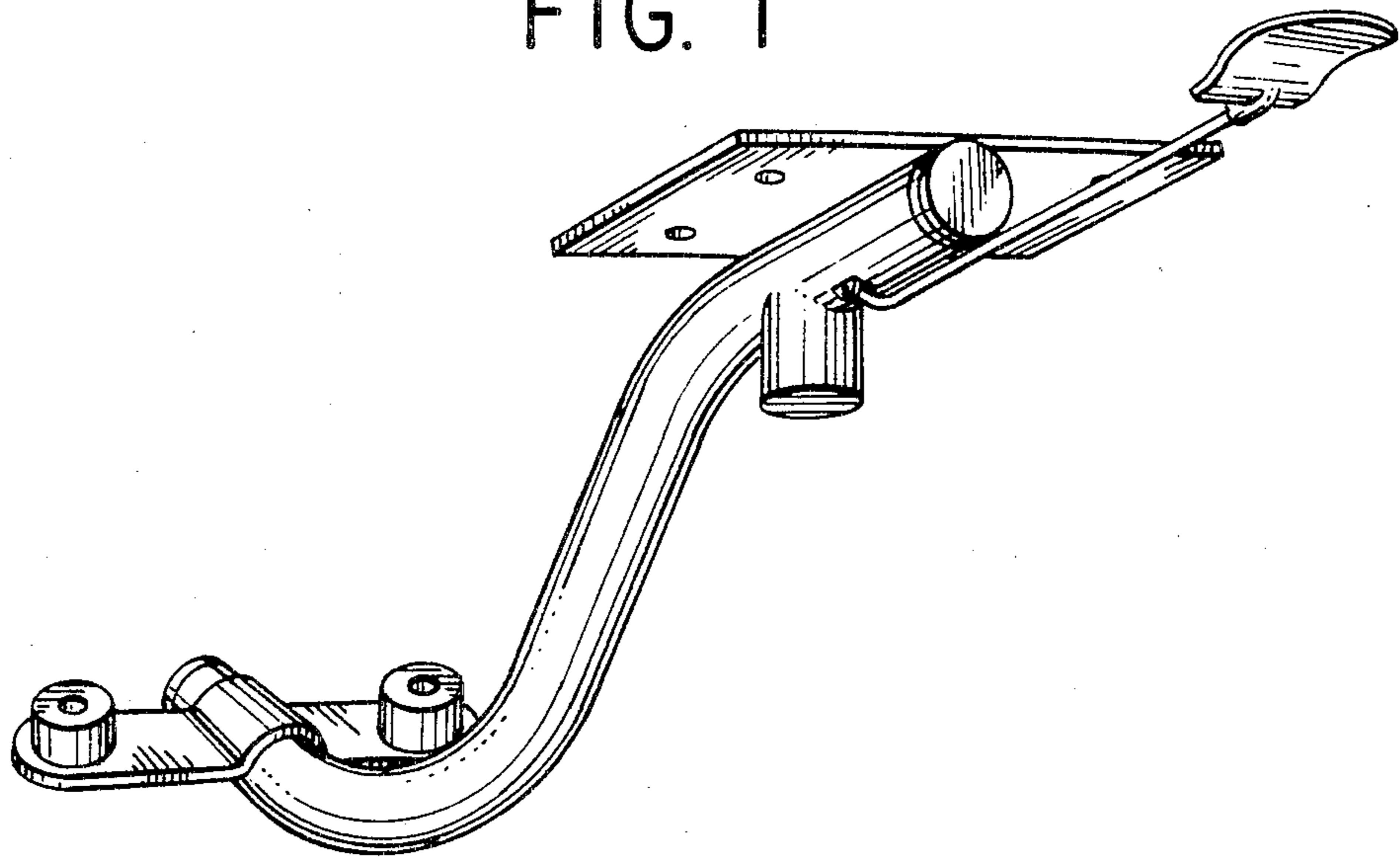


FIG. 2

