

[54] **DOCUMENT HANGER**

[75] **Inventor:** Victor R. Spicer, Auckland, New Zealand

[73] **Assignee:** Planhorse International (NZ) Limited, Auckland, New Zealand

[**] **Term:** 14 Years

[21] **Appl. No.:** 640,444

[22] **Filed:** Aug. 13, 1984

[30] **Foreign Application Priority Data**

Feb. 13, 1984 [NZ] New Zealand 18921

[52] **U.S. Cl.** D6/462; D6/449; D19/90

[58] **Field of Search** D19/75, 86, 90, 91; D6/410, 449, 462; D34/12, 23; 211/45, 46, 51, 113; 312/184

[56] **References Cited**

U.S. PATENT DOCUMENTS

4,091,933	5/1978	Alexander	211/46
4,262,808	4/1981	Laporte	211/46
4,262,810	4/1981	Ilich	211/46

OTHER PUBLICATIONS

Post Professional Drafting Rm. Eq. & Supplies, 1969, p. 26 "Mobile Droplift File".

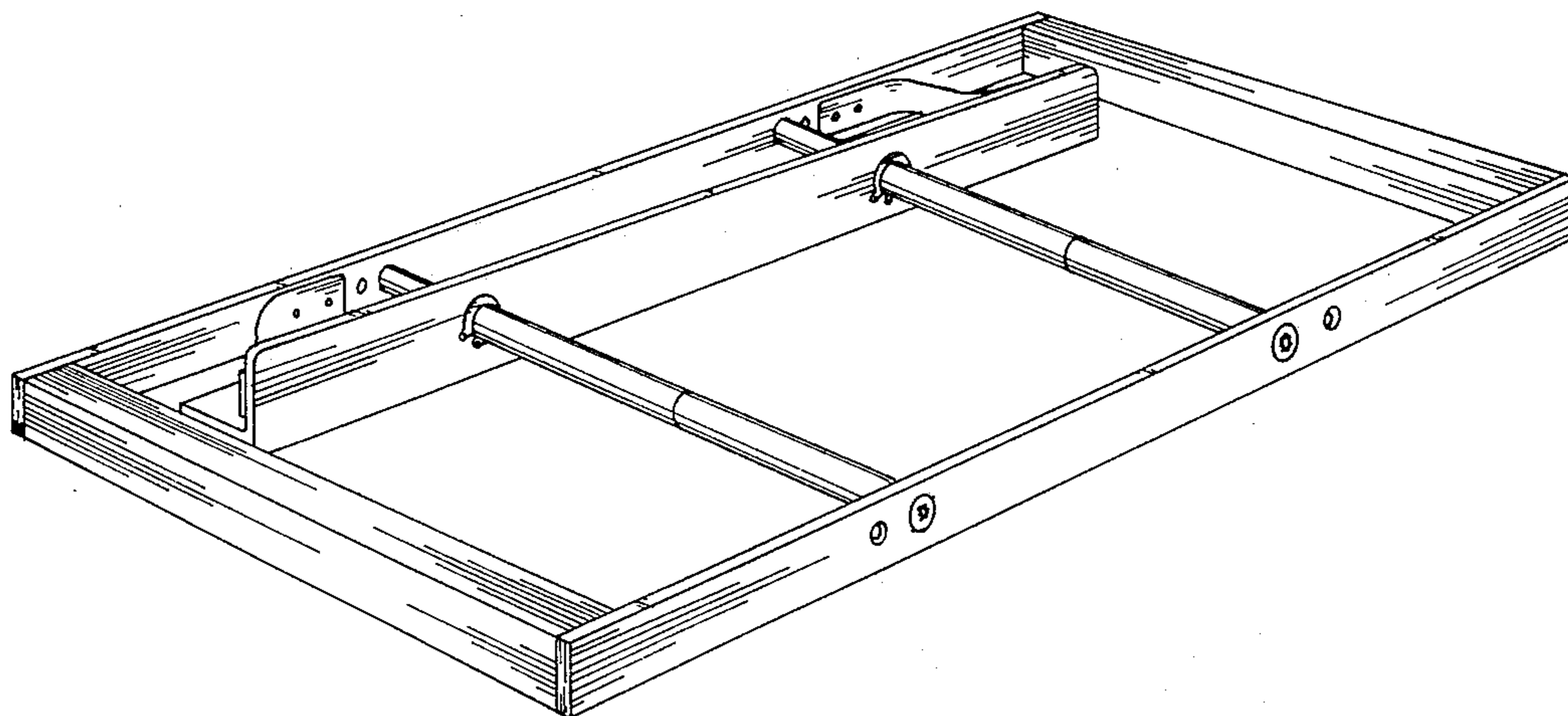
Primary Examiner—George P. Word
Attorney, Agent, or Firm—Holman & Stern

[57] **CLAIM**

The ornamental design for a document hanger, as shown and described.

DESCRIPTION

FIG. 1 is an inverted bottom perspective view of a document hanger showing my new design; FIG. 2 is a top plan view thereof; FIG. 3 is a bottom plan view thereof; FIG. 4 is a right side elevational view of FIG. 3; and FIG. 5 is a left side elevational view of FIG. 3.



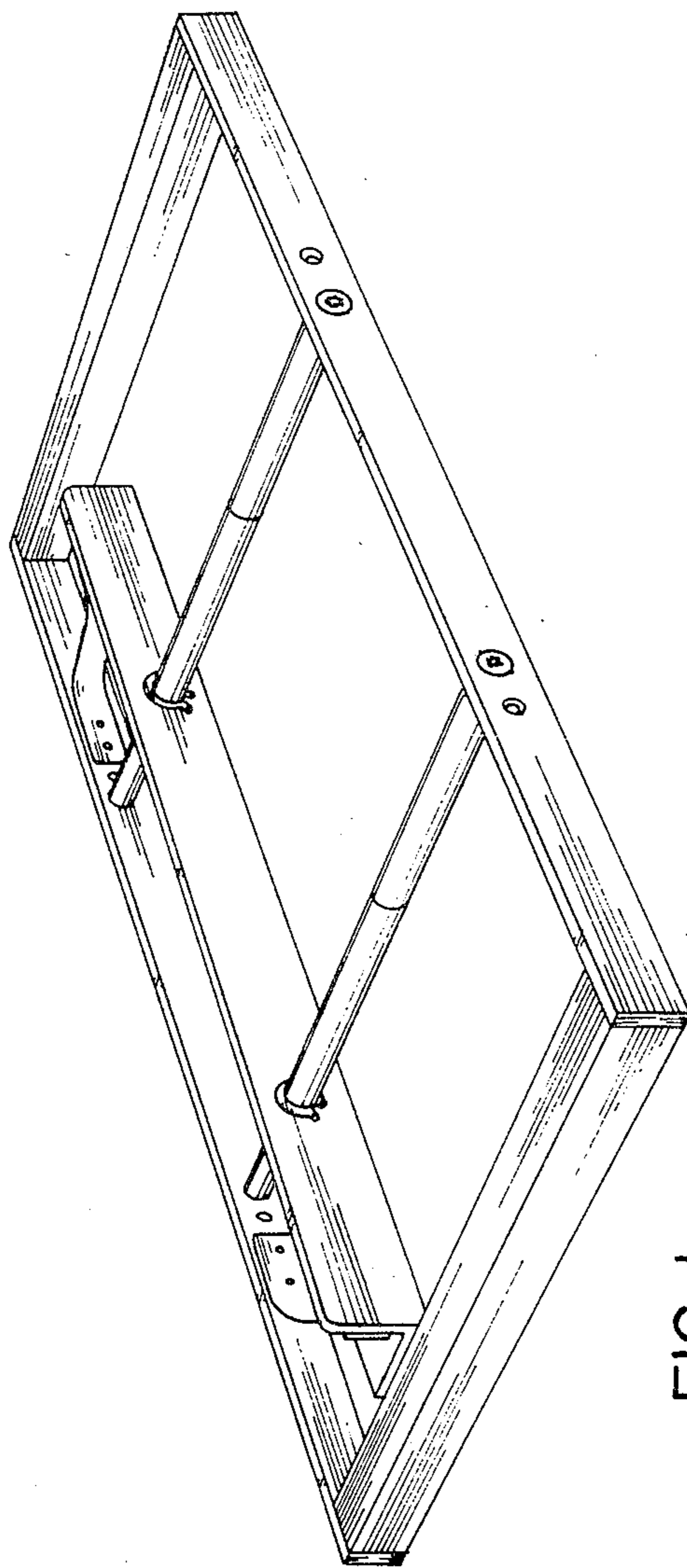


FIG. 1

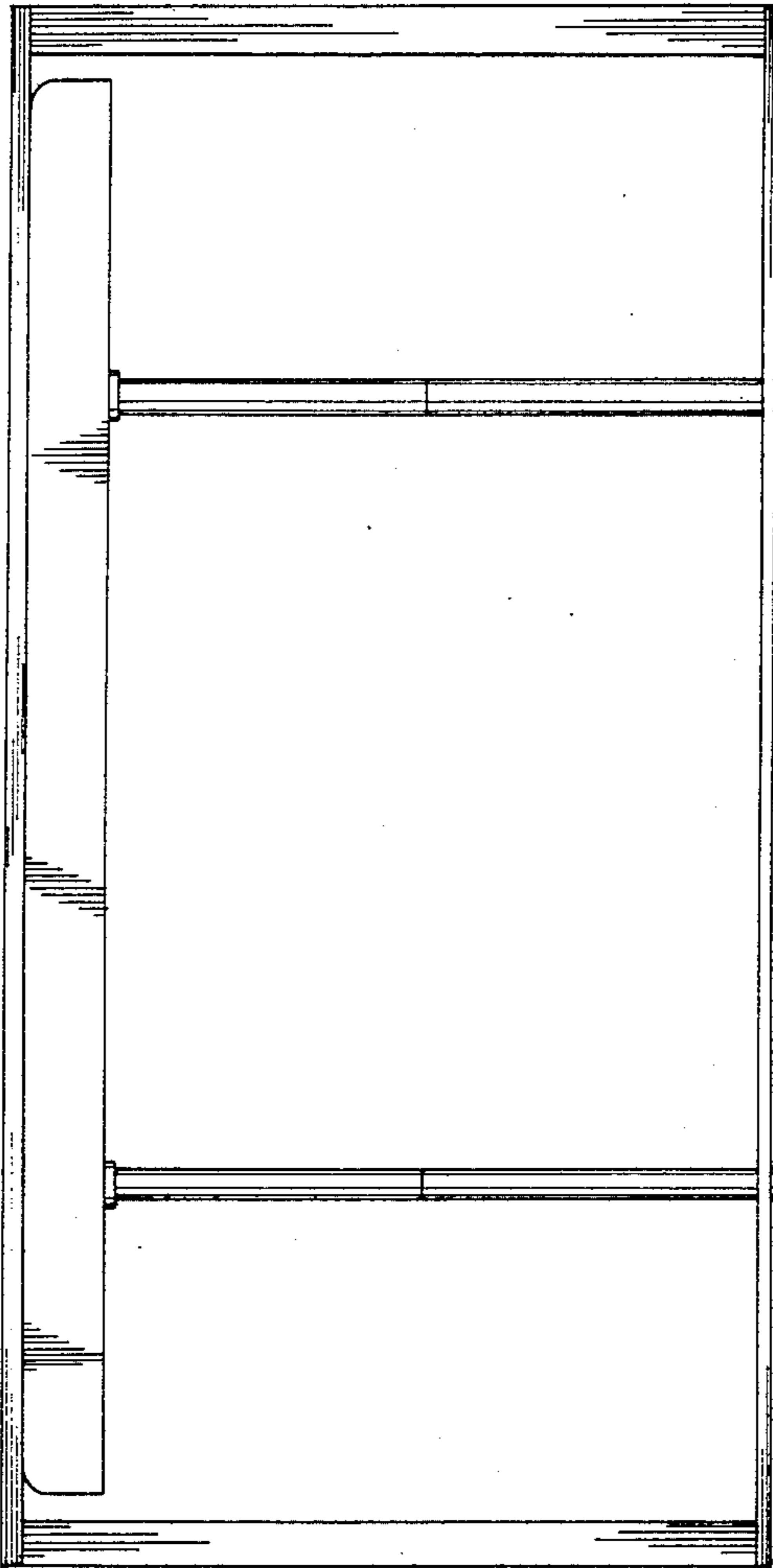


FIG. 2

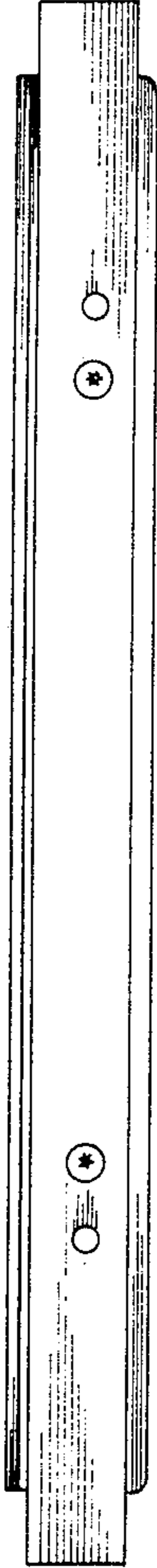


FIG. 4

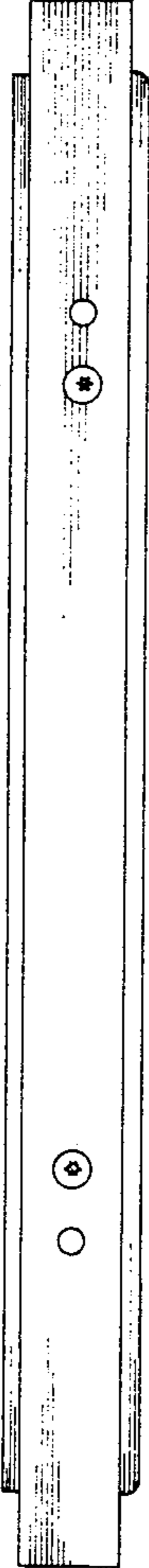


FIG. 5

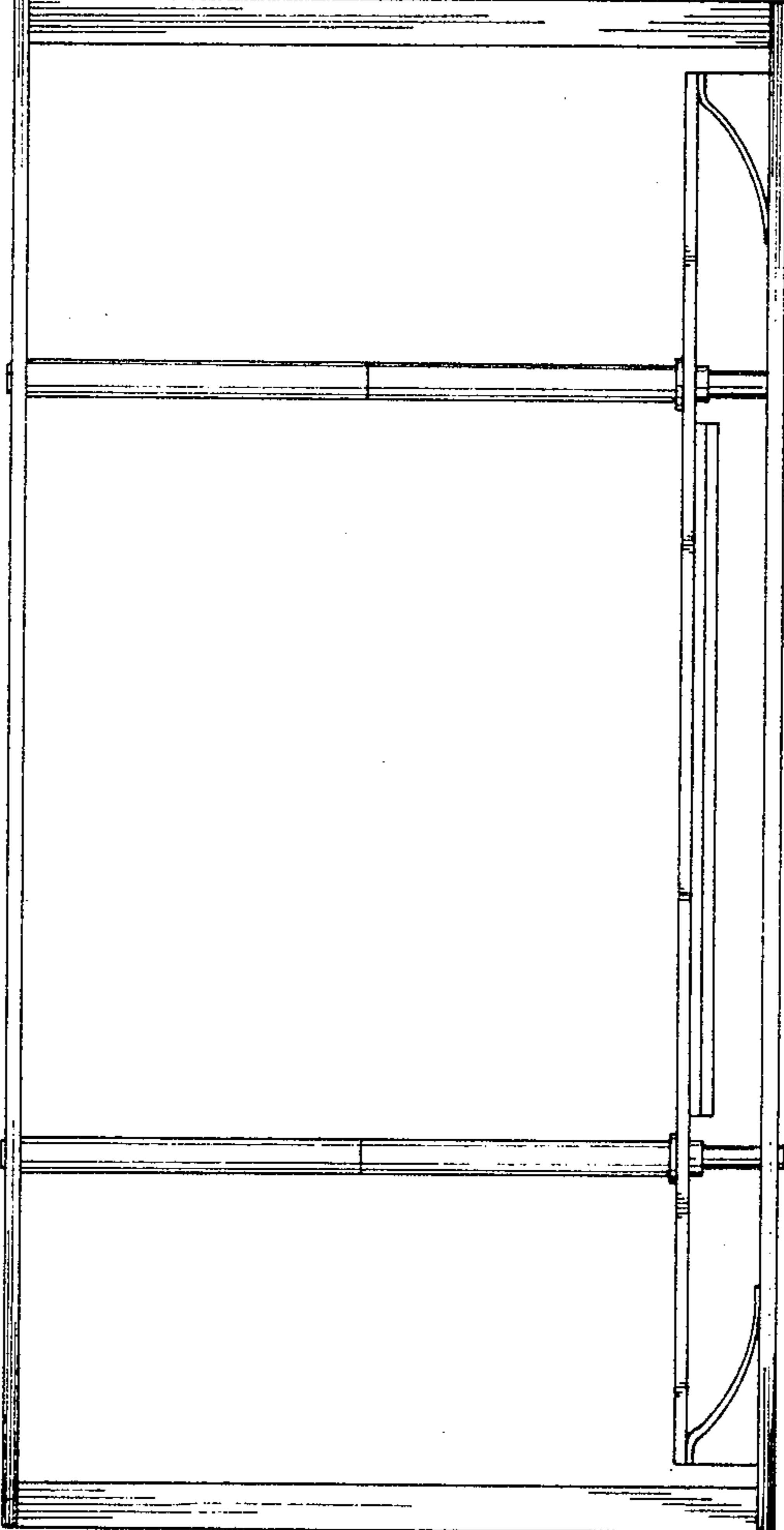


FIG. 3