

[54] FISH BOX

4,353,182 10/1982 Junkas et al. 224/920

[75] Inventor: Denis Guibault, 5285 des Tilleuls, Montreal, Canada

Primary Examiner—George P. Word
Attorney, Agent, or Firm—Swabey, Mitchell, Houle, Marcoux & Sher

[73] Assignee: Xactics Ltd., Saint John, Canada

[57] CLAIM

[**] Term: 14 Years

The ornamental design for a fish box, as shown and described.

[21] Appl. No.: 513,727

DESCRIPTION

[22] Filed: Jul. 14, 1983

[52] U.S. Cl. D3/38; D3/30.1

[58] Field of Search D3/30.1, 36-38; D22/14; 206/315.11; 43/54.5, 55, 57.5

FIG. 1 is a front elevational view of a fish box showing my new design, the rear elevational view being identical thereto;

FIG. 2 is a side elevational view, the opposite side being identical thereto;

FIG. 3 is a top plan view thereof;

FIG. 4 is a bottom plan view thereof;

FIG. 5 is a perspective view showing the design from above; and

FIG. 6 is a perspective view showing the design from underneath.

[56] References Cited

U.S. PATENT DOCUMENTS

899,466	9/1908	O'Leary	206/315.11
2,968,887	1/1961	Woolworth	206/315.11
3,378,134	4/1968	Wilkinson et al.	D3/38
4,128,170	12/1978	Elliott	D3/38

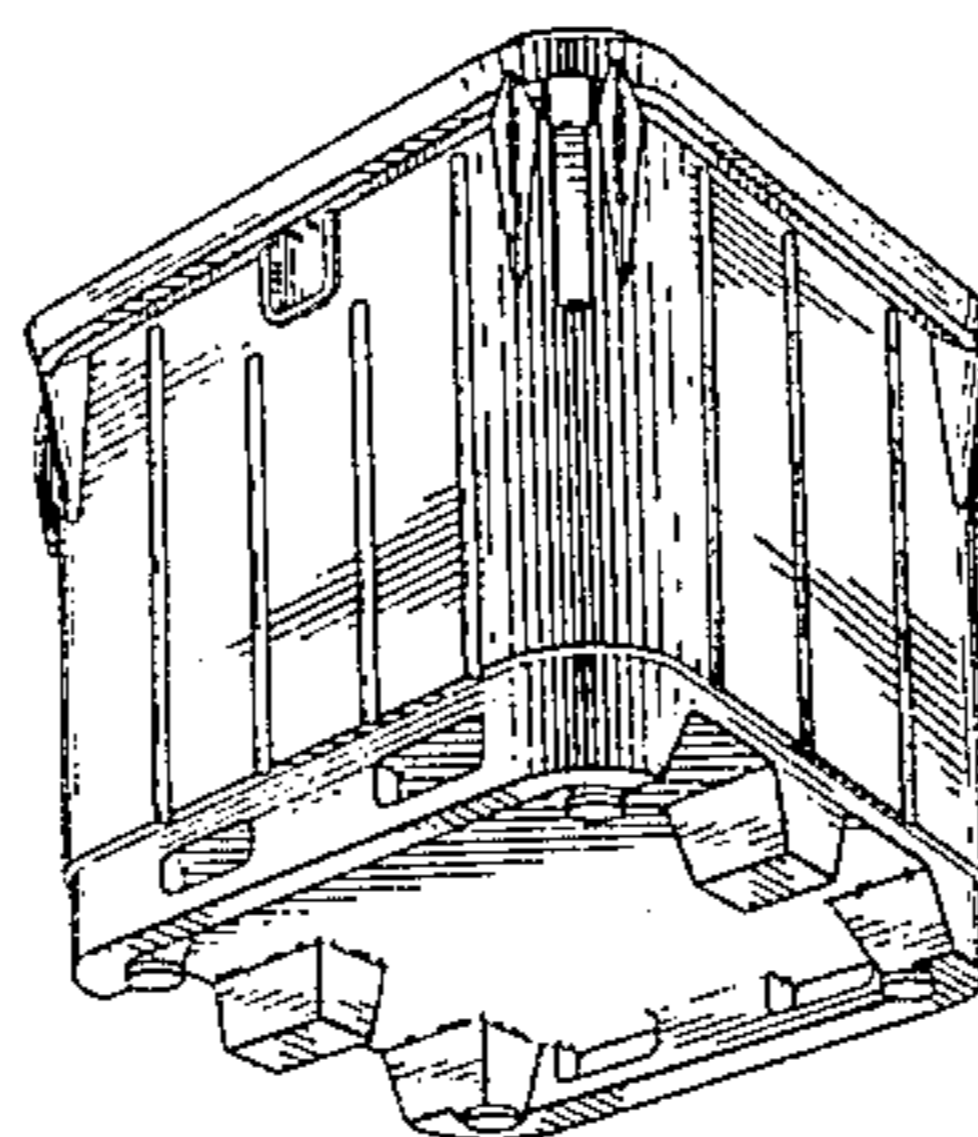
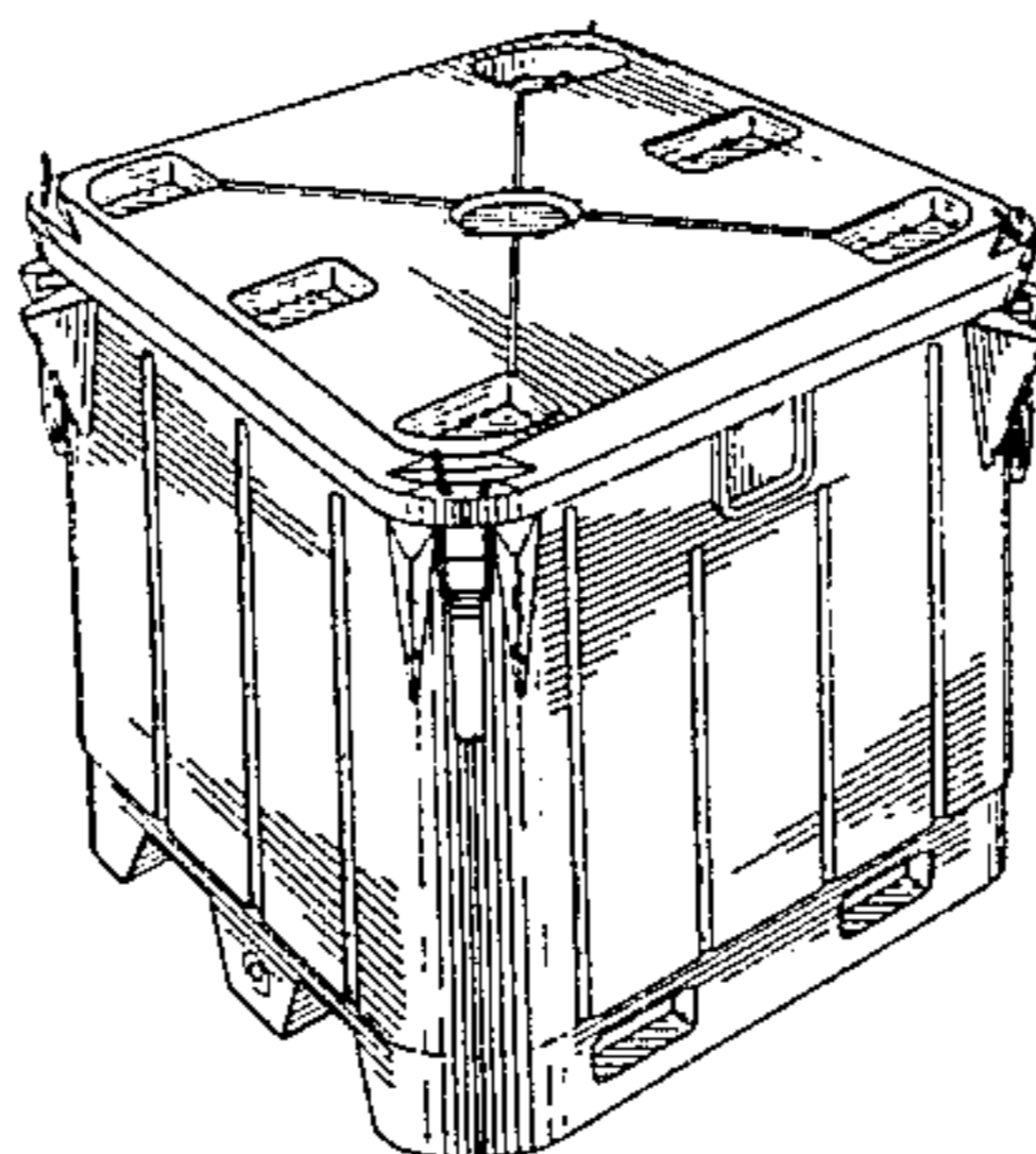


FIG. 1

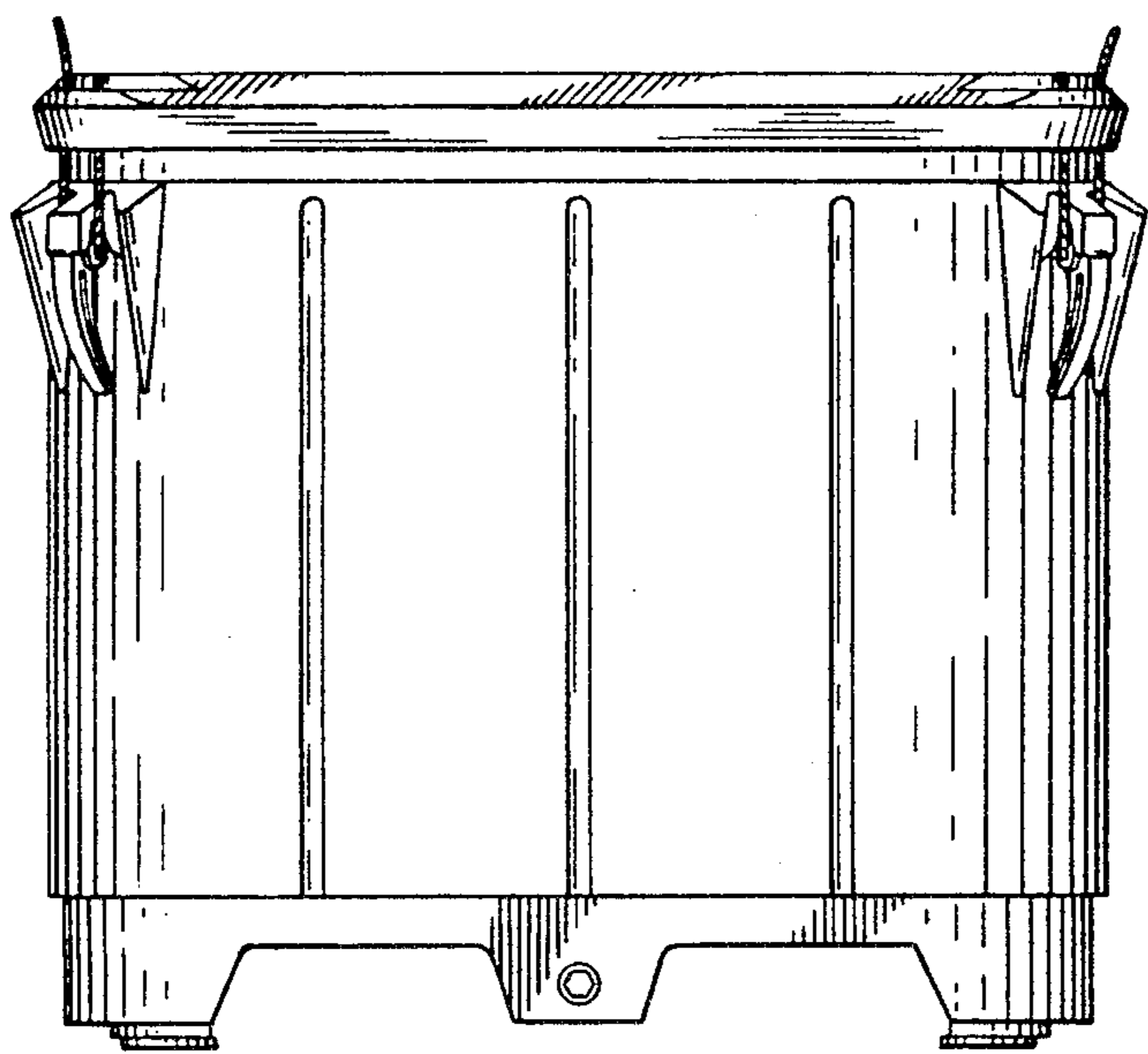
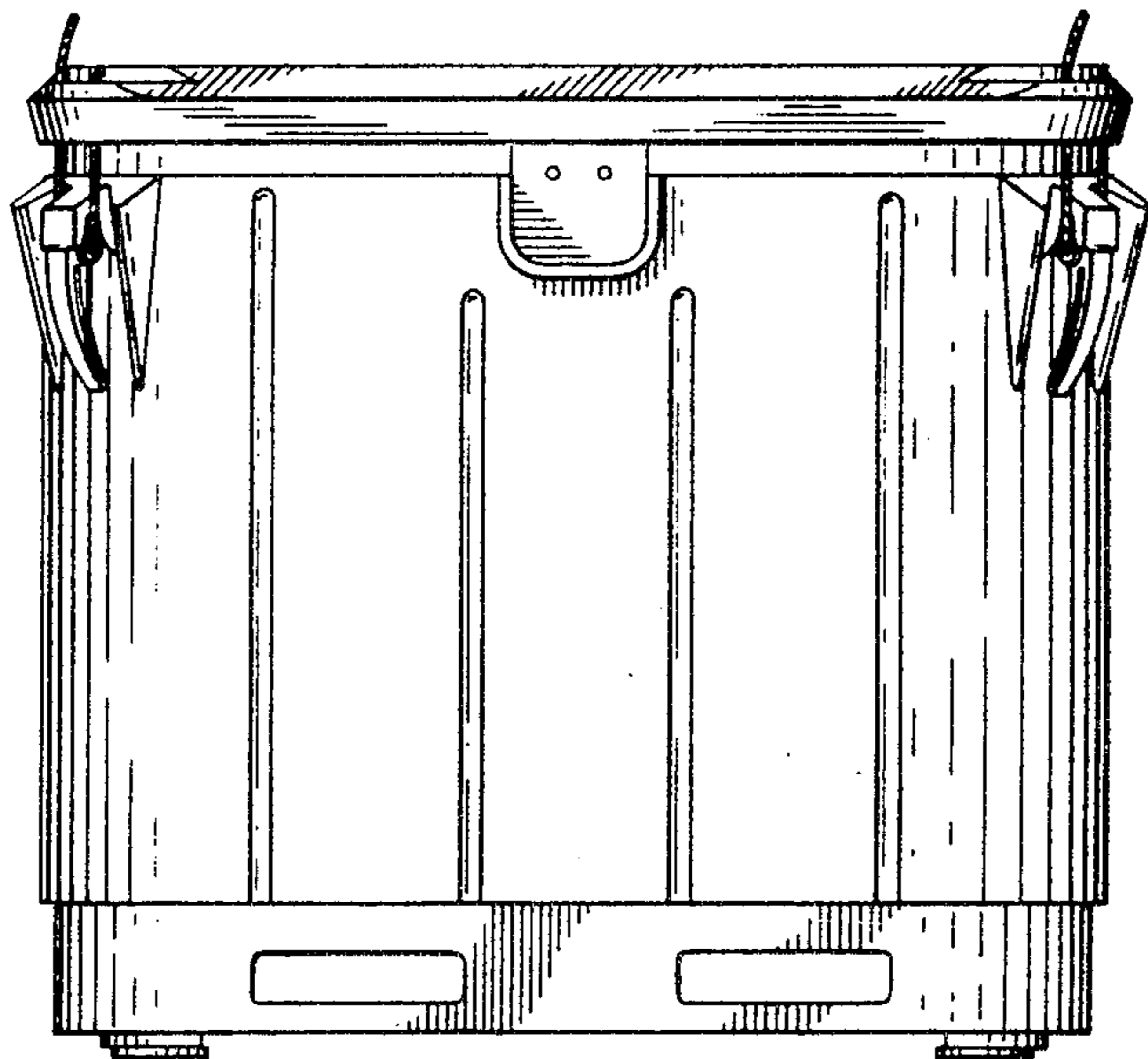


FIG. 2

FIG. 3

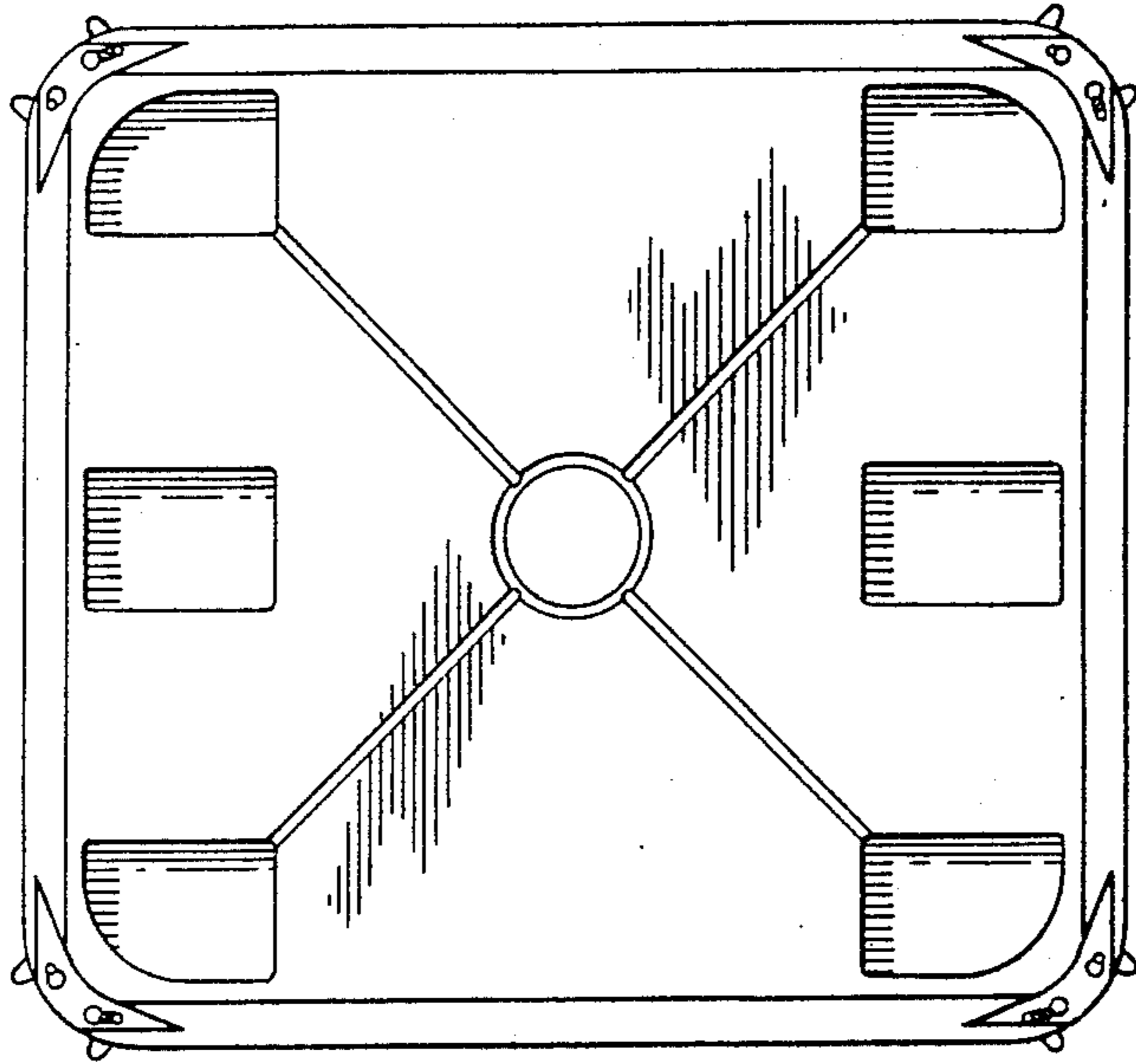
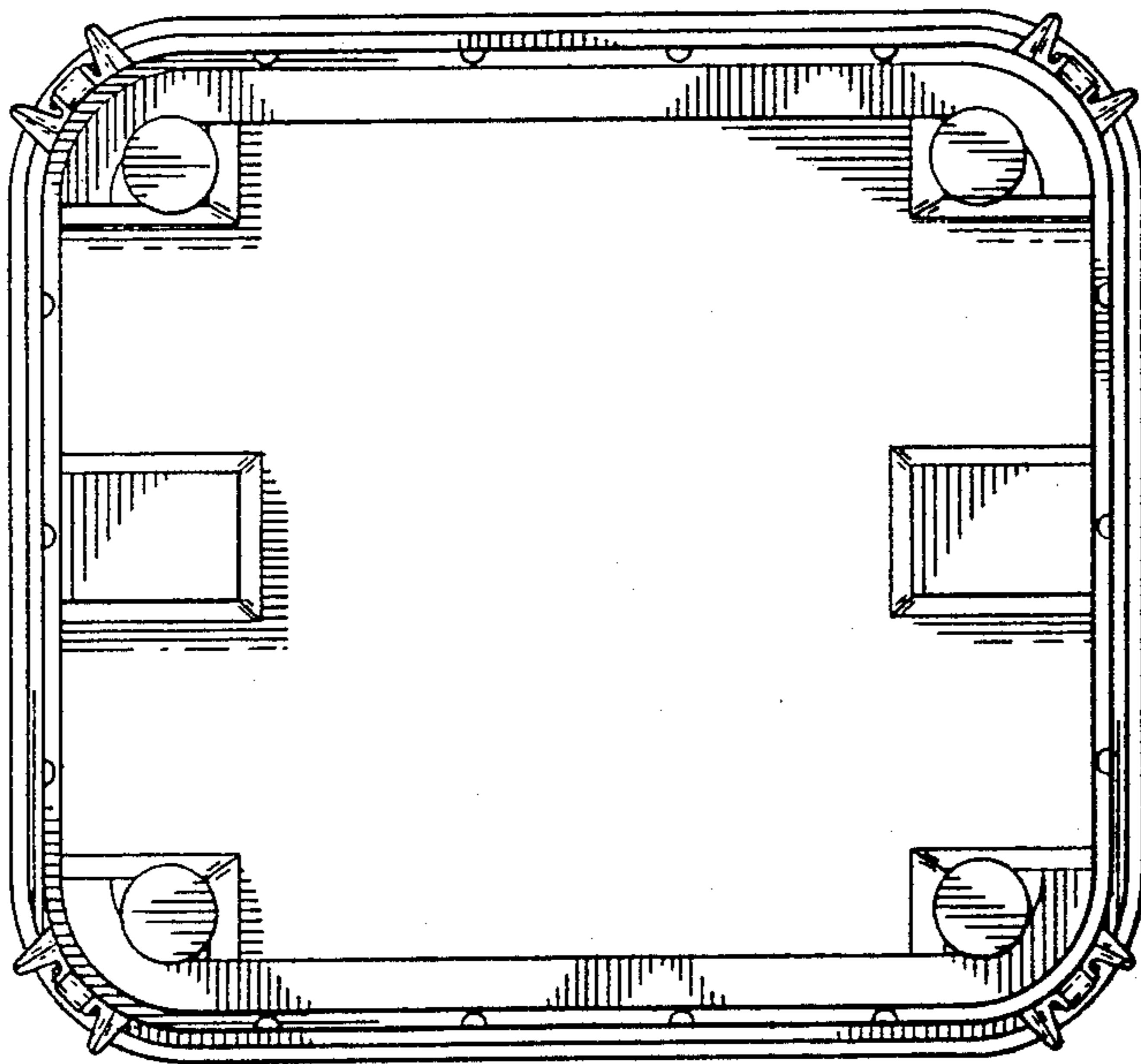


FIG. 4



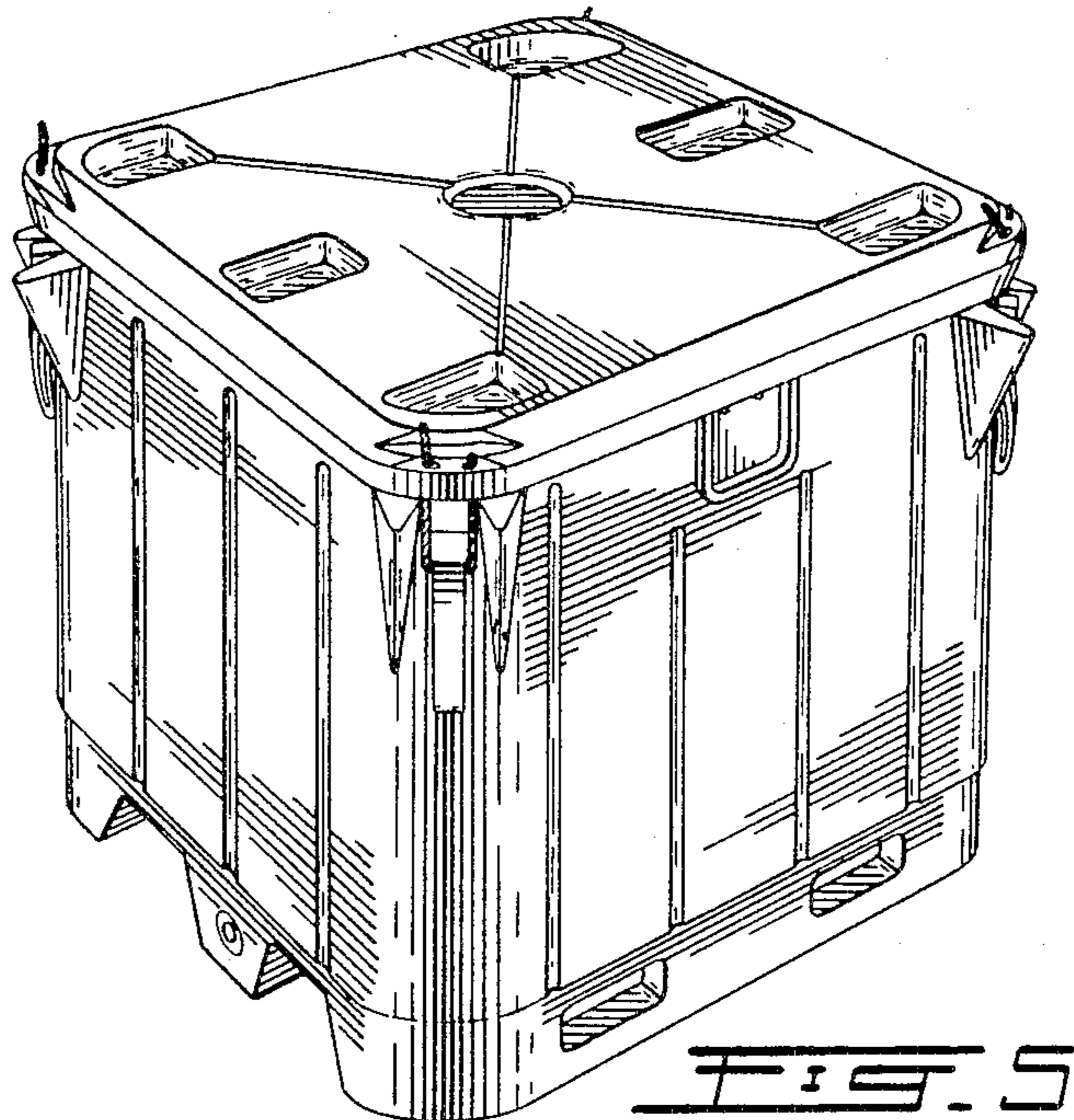


FIG. 6

