

[54] COMPUTER MINI DISK STORAGE
CARROUSEL

D. 227,190	6/1973	McKinsey	D3/35
D. 234,325	2/1975	Snyder	D3/35
1,445,340	2/1923	Mears	312/11
4,253,789	3/1981	Hultgren	312/11

[76] Inventor: Kenneth M. McAlhany, 2612
Cliffview Dr., Lilburn, Ga. 30247

Primary Examiner—George P. Word

[**] Term: 14 Years

[57] CLAIM

[21] Appl. No.: 569,288

The ornamental design for a computer mini disk storage carousel, as shown and described.

[22] Filed: Jan. 9, 1984

DESCRIPTION

[52] U.S. Cl. D3/35; D6/407

[58] Field of Search D3/33, 35, 74; D6/407;
312/11, 12, 15; 206/309, 444; 211/40

FIG. 1 is a perspective view of a computer mini disk storage carousel showing my new design;
FIG. 2 is a front elevational view showing the access opening;

[56] References Cited

U.S. PATENT DOCUMENTS

D. 211,430 6/1968 Balos D6/407

FIG. 3 is a rear elevational view thereof;

FIG. 4 is a top plan view thereof; and

FIG. 5 is a bottom plan view thereof.

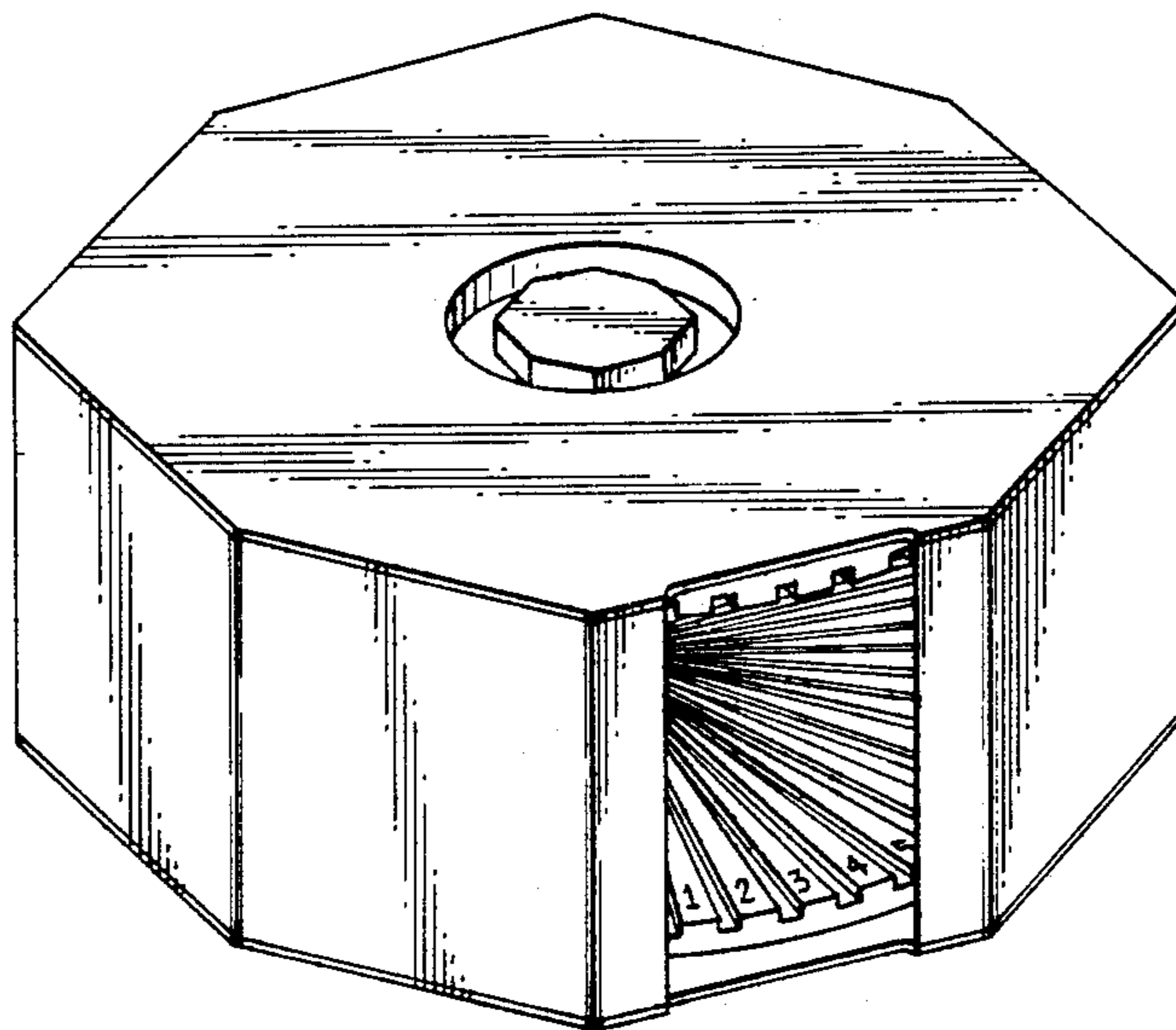


FIG. 1.

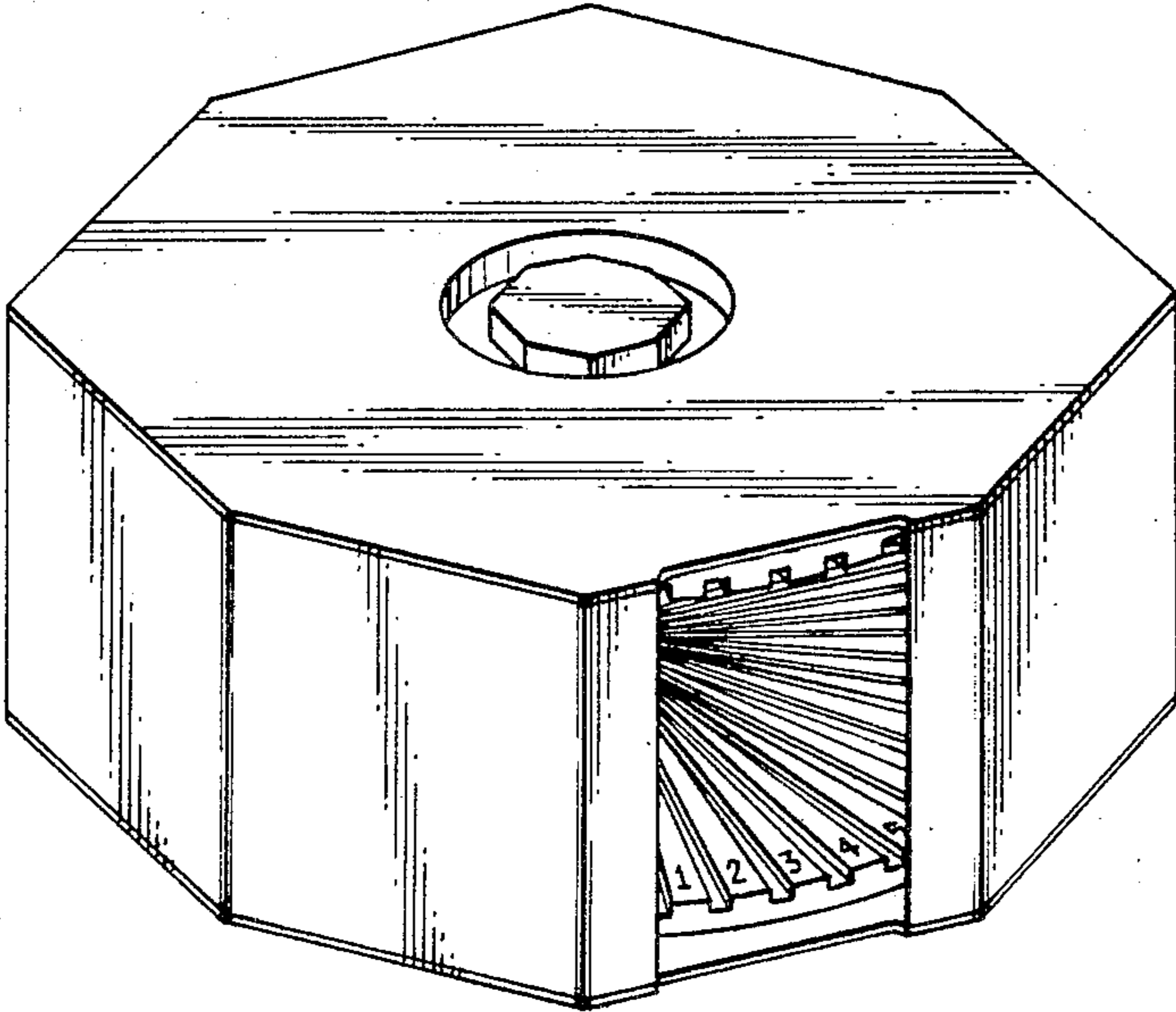


FIG. 2.

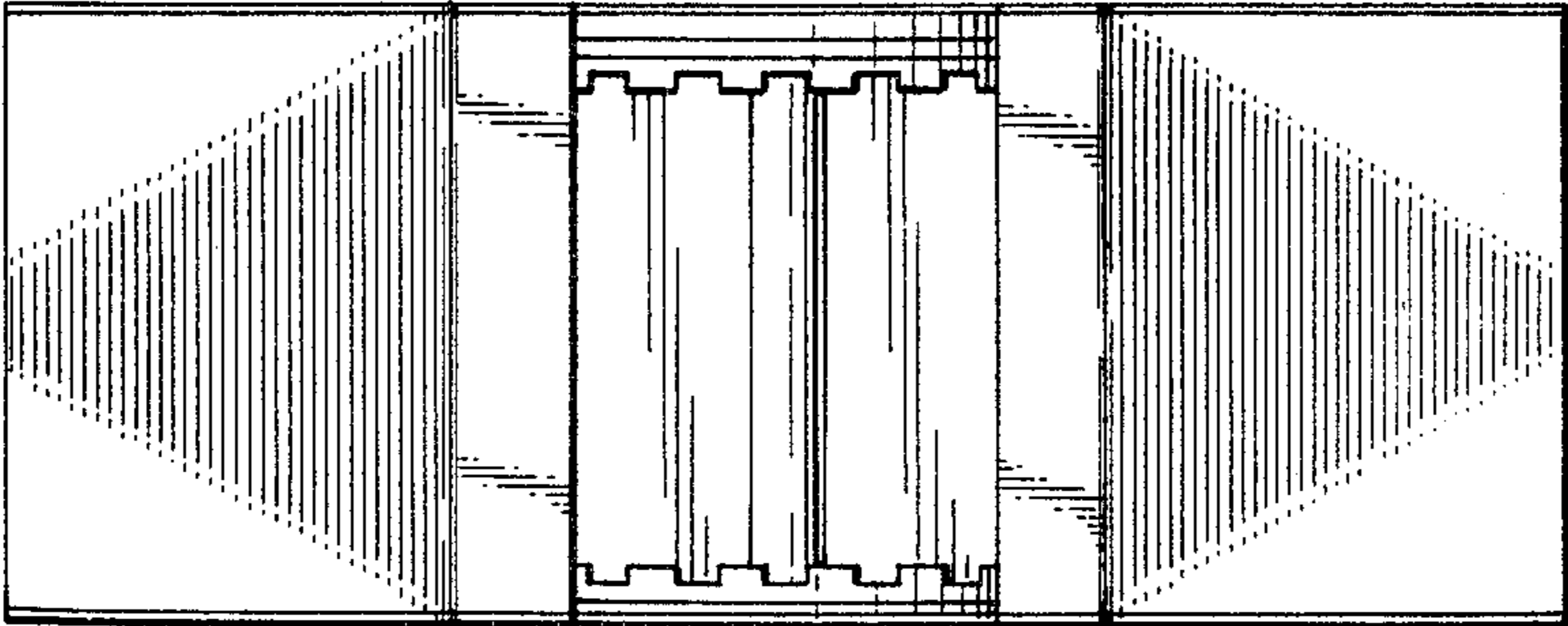


FIG. 3.

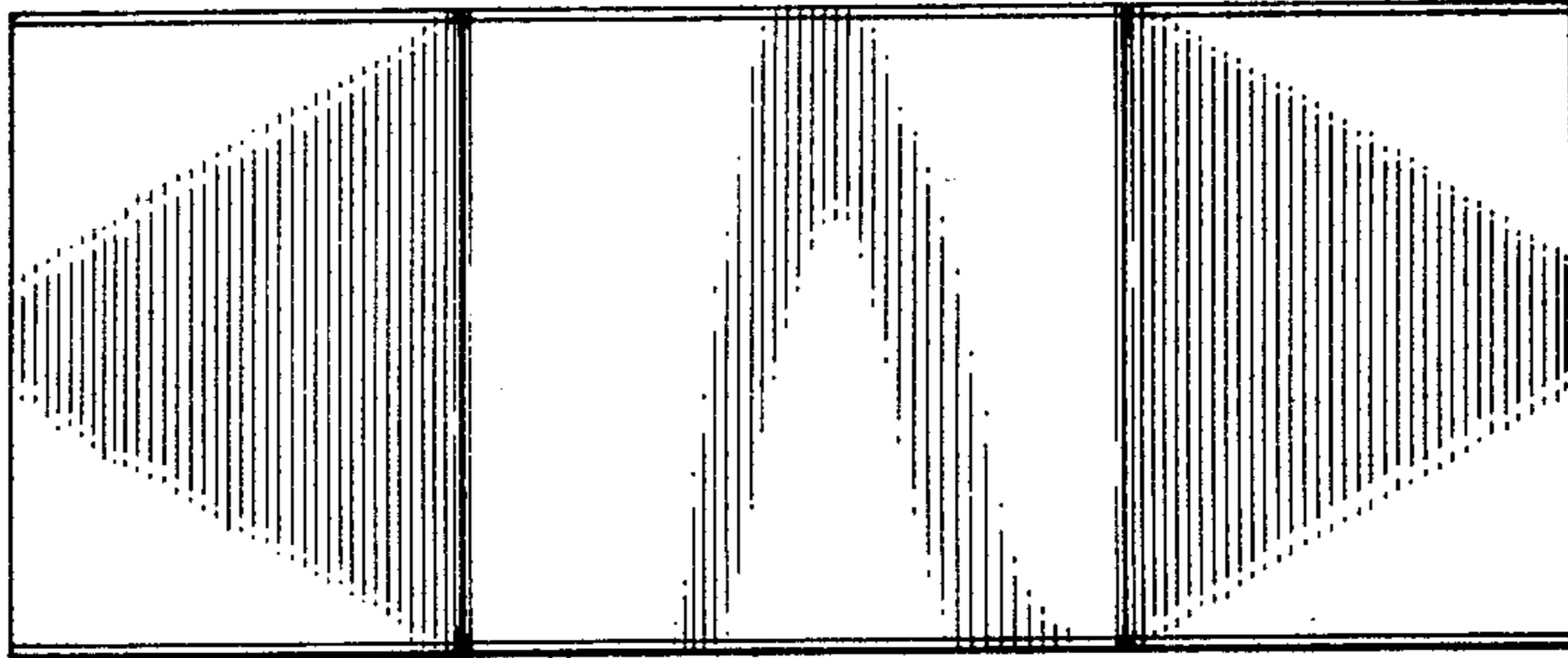
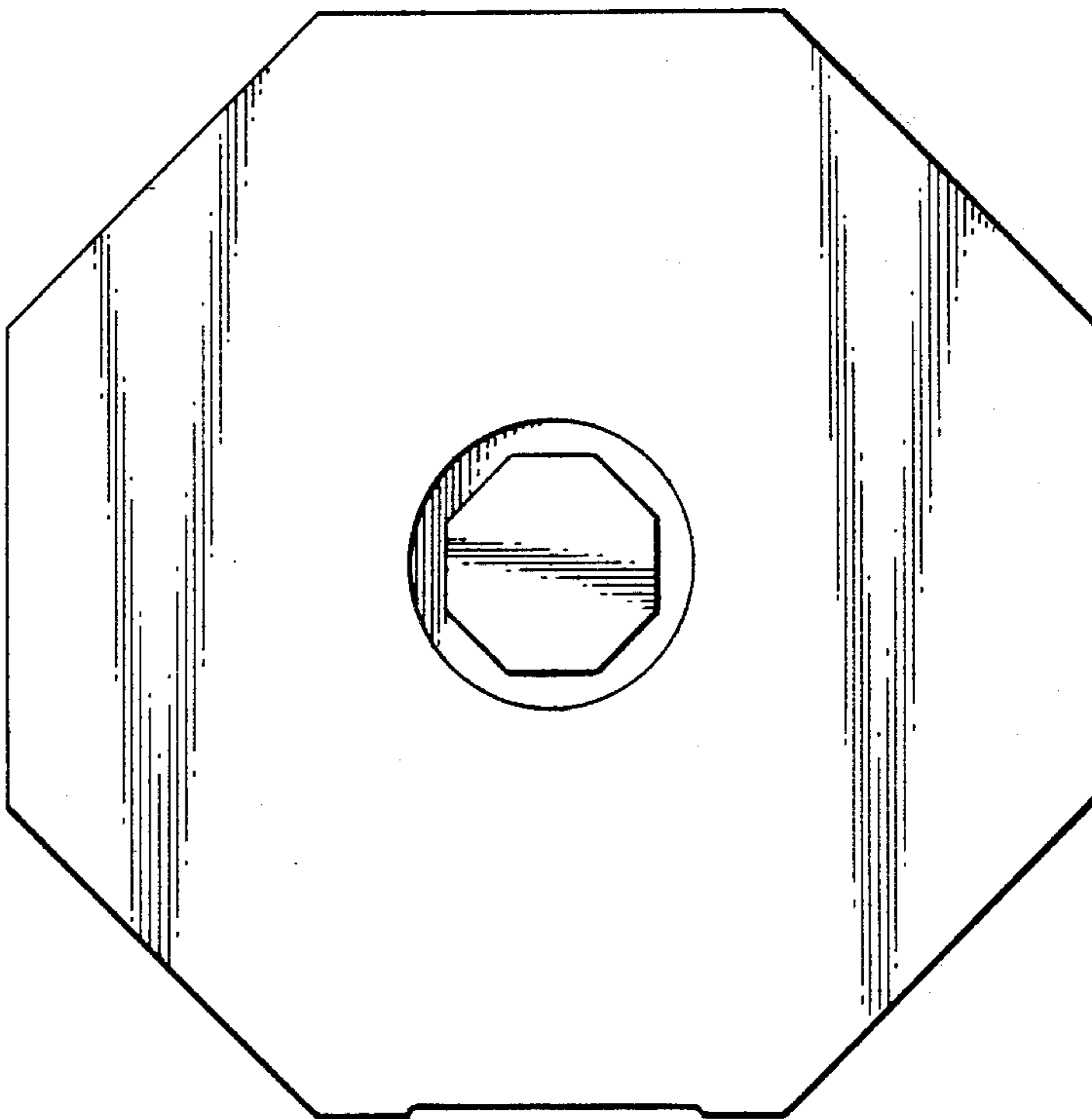


FIG. 4.



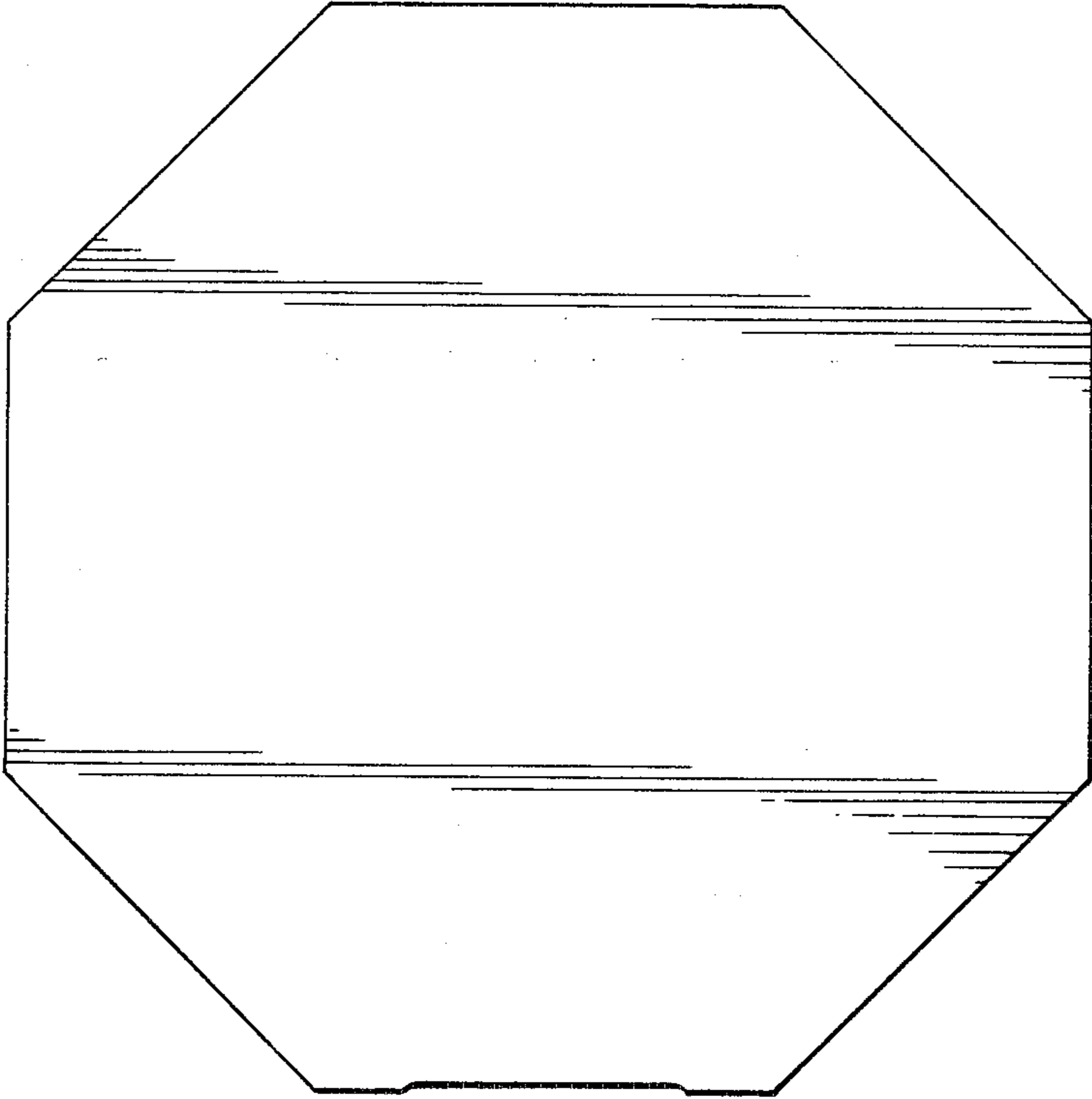


FIG. 5