

[54] STACKABLE STORAGE CONTAINER

[76] Inventor: Howard Sussman, 3101 NW. 25th St., Pompano Beach, Fla. 33060

[\*\*] Term: 14 Years

[21] Appl. No.: 544,421

[22] Filed: Oct. 21, 1983

[52] U.S. Cl. .... D3/30.1

[58] Field of Search ..... D3/30.1, 78, 75, 39; D7/76; D9/424, 432; 206/508, 509, 511, 512, 449; 220/4 D; 221/45, 46, 63

[56] References Cited

U.S. PATENT DOCUMENTS

D. 155,117	9/1949	Barton	.....	D3/75 X
D. 171,615	3/1954	Pehr	.....	D7/76
D. 244,085	4/1977	Gidding, et al.	.....	D9/432
D. 265,867	8/1982	Margulis	.....	D3/39 X
2,564,997	8/1951	Rome	.....	221/46
2,714,471	8/1955	Sherman	.....	206/509
2,807,387	9/1957	Siciliano	.....	220/4 D
3,145,840	8/1964	Wright	.....	206/449 X

OTHER PUBLICATIONS

Karmel Plastics, 1980, p. 9, item 103.

Primary Examiner—Bernard Ansher  
Assistant Examiner—Linda Titolo  
Attorney, Agent, or Firm—Bauer & Amer

[57] CLAIM

The ornamental design for stackable storage container, as shown and described.

DESCRIPTION

FIG. 1 is an exploded top front and left side perspective view of a stackable storage container, showing my new design;

FIG. 2 is an exploded top front and right side perspective view thereof, with a second embodiment of the cover member shown in FIG. 1;

FIG. 3 is an exploded fragmentary cross-sectional view thereof, taken on line 3—3 of FIG. 9, showing two storage containers in their stackable relationship to each other shown for clarity of illustration;

FIG. 4 is a top plan view of the cover member of FIG. 1, shown separately for clarity of illustration, the bottom plan view being a mirror image thereof;

FIG. 5 is a side elevational view thereof, the other three sides being mirror images thereof;

FIG. 6 is a top plan view of the cover member of FIG. 2 shown separately for clarity of illustration, the bottom plan view being a mirror image thereof;

FIG. 7 is a front elevational view thereof, the rear view being a mirror image thereof;

FIG. 8 is a right side elevational view thereof, the left side being a mirror image thereof;

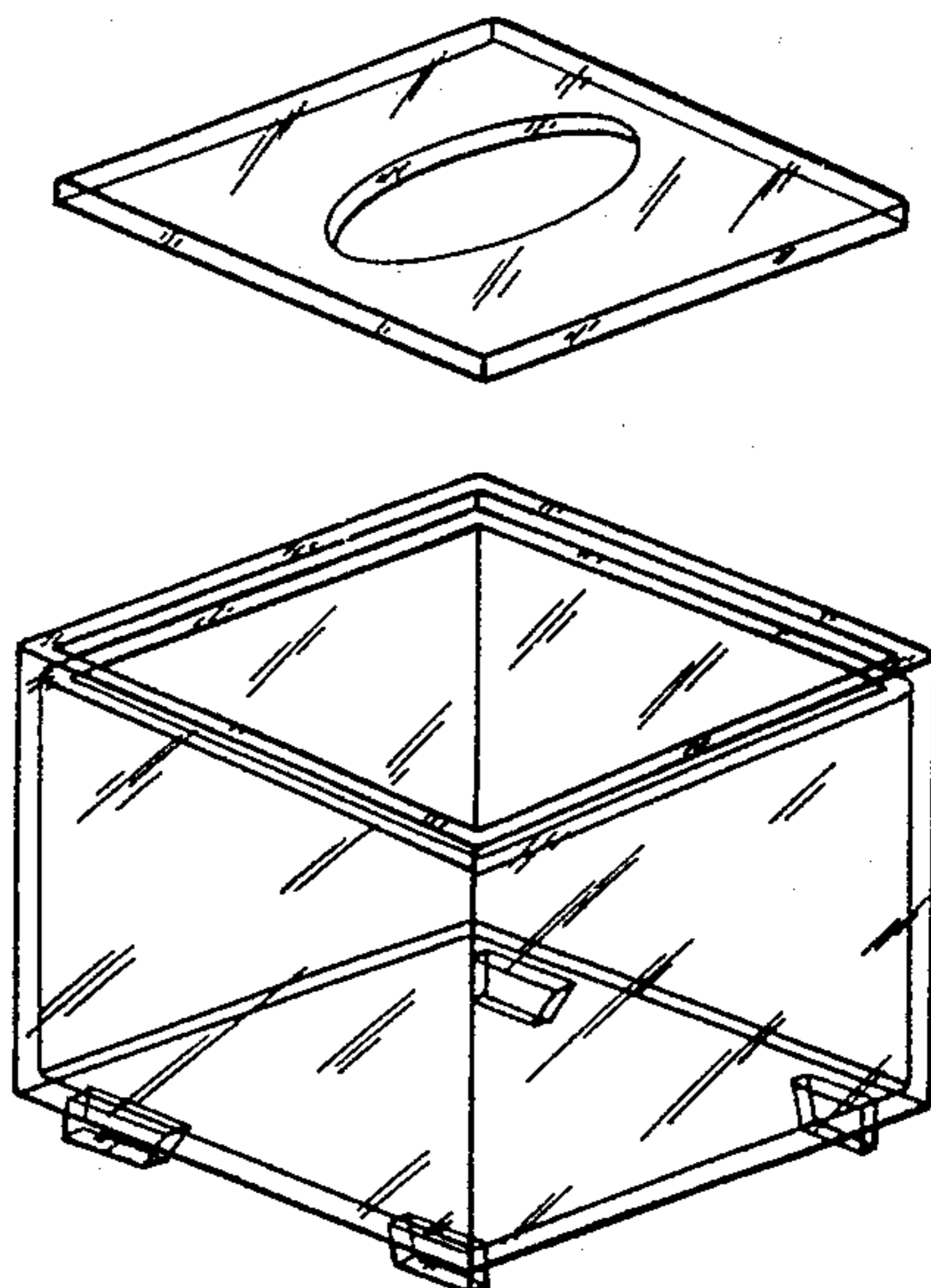
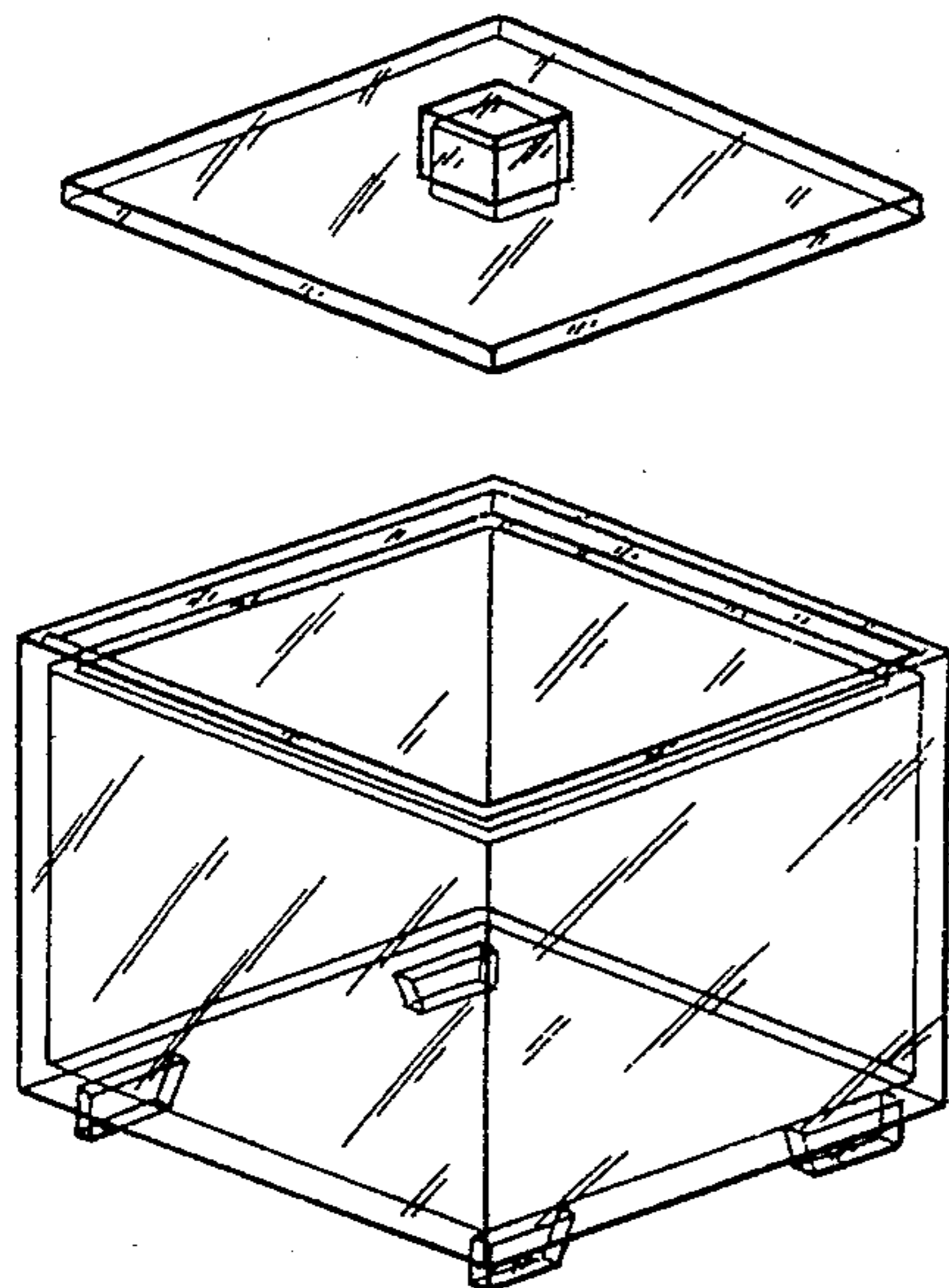
FIG. 9 is a top plan view of that shown in FIG. 1, with the cover member removed for clarity of illustration;

FIG. 10 is a front elevational view thereof, the rear view being a mirror image thereof;

FIG. 11 is a right side elevational view thereof, the left side being a mirror image thereof;

FIG. 12 is a bottom plan view thereof; and

FIG. 13 is a cross-sectional view thereof taken on line 13—13 of FIG. 9.



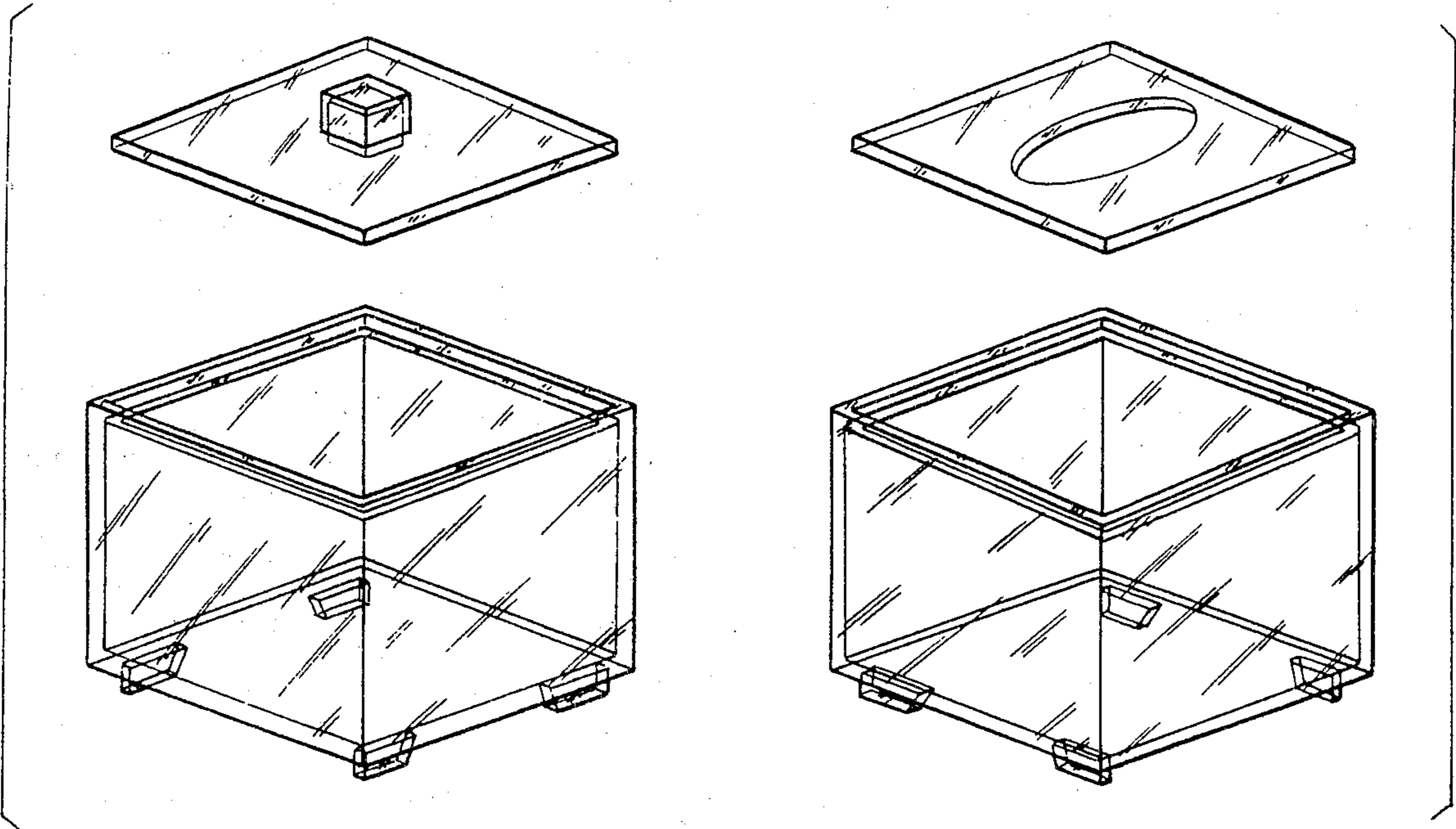


FIG. 1

FIG. 2

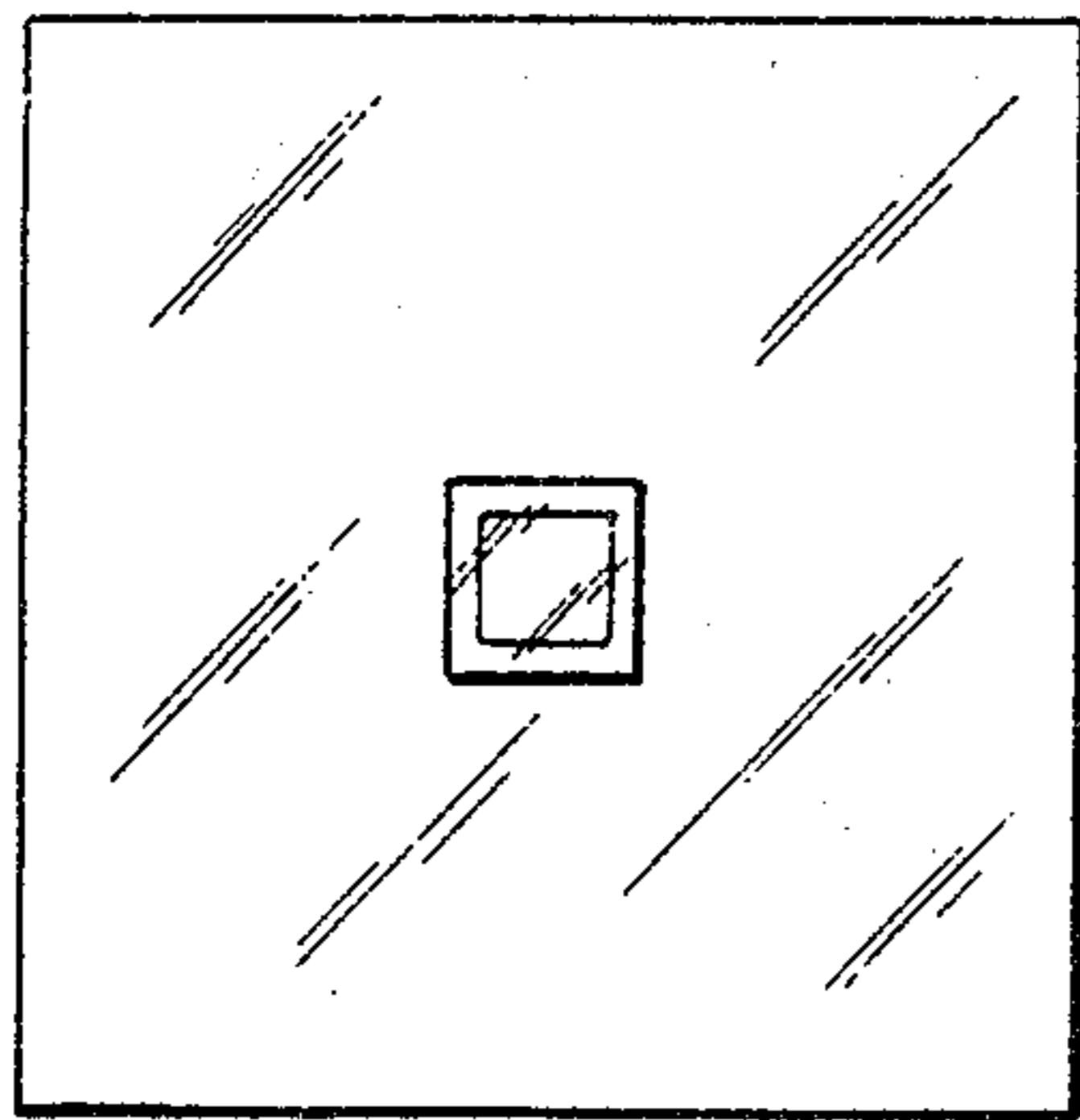


FIG. 4

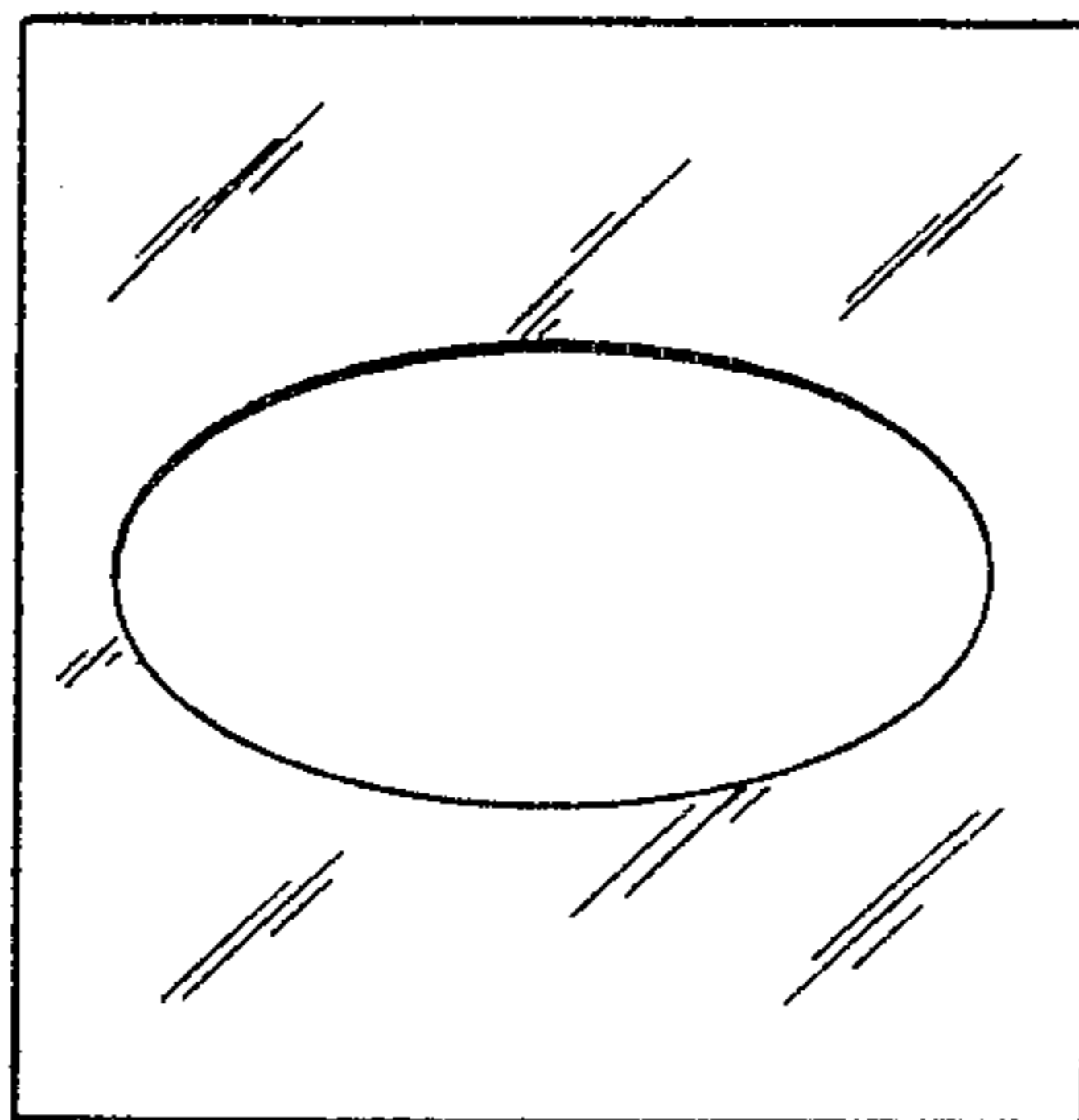


FIG. 6

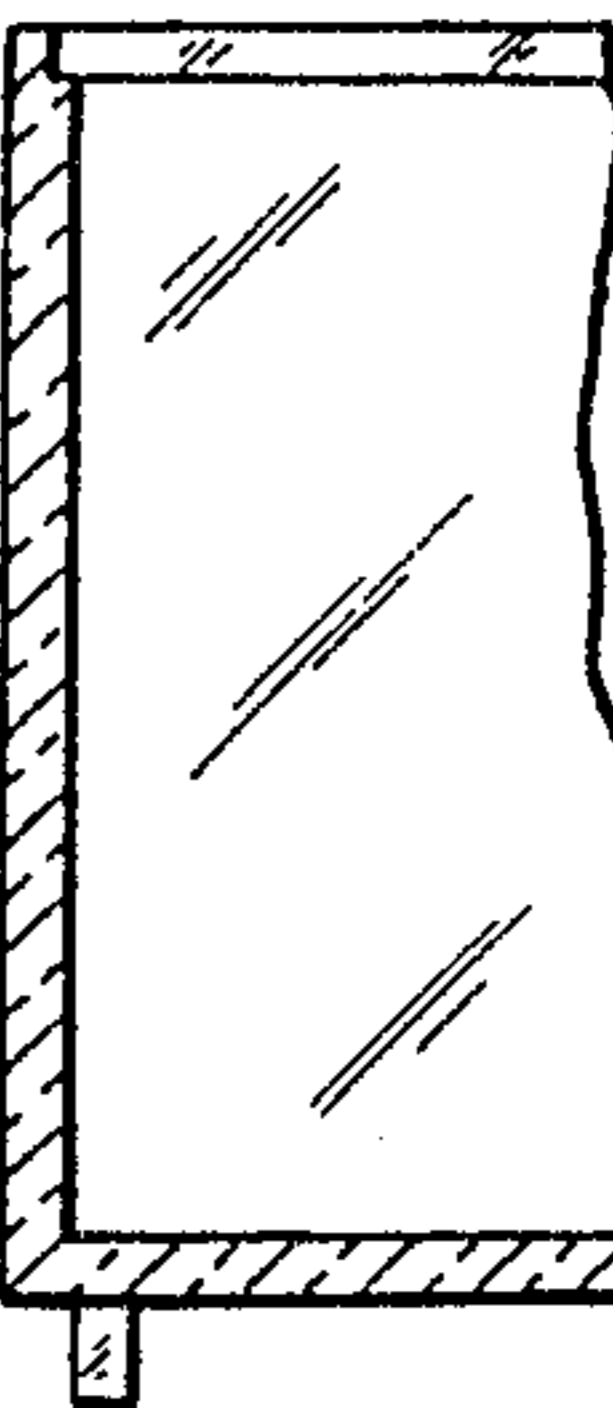
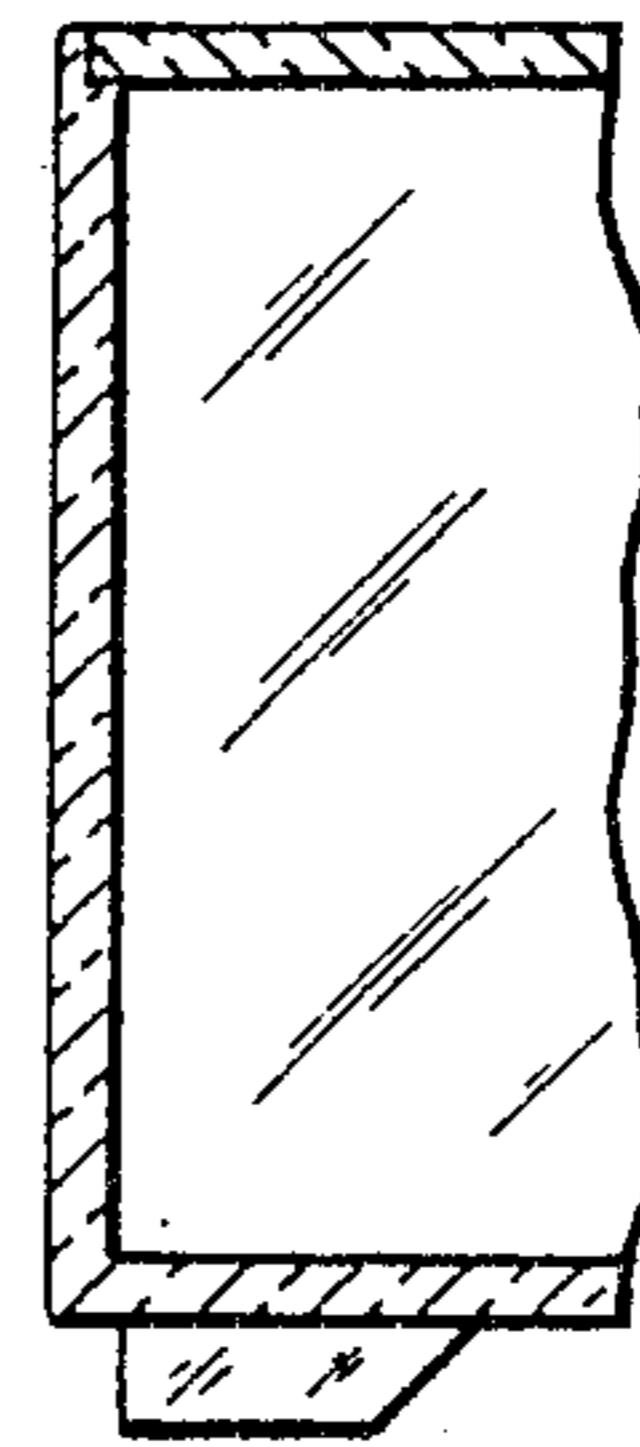


FIG. 3



FIG. 5

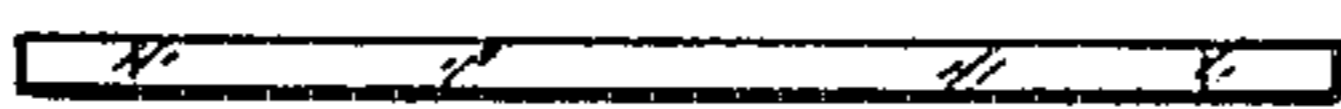


FIG. 7

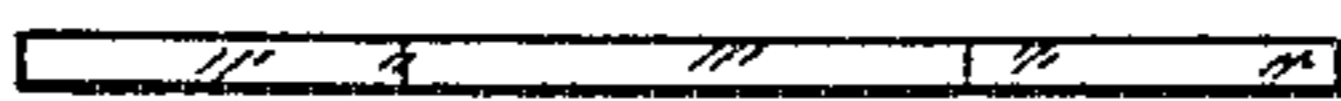


FIG. 8

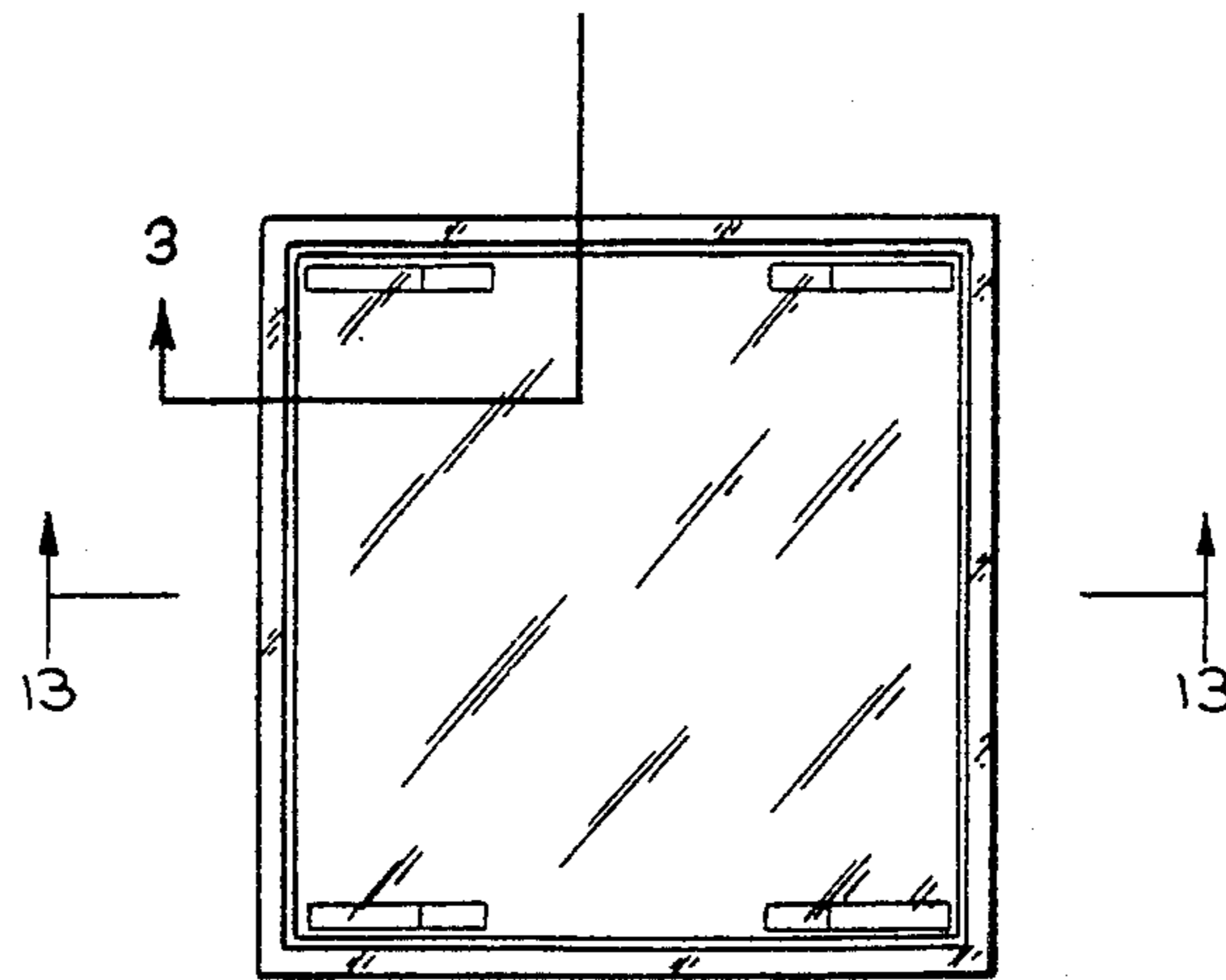


FIG. 9

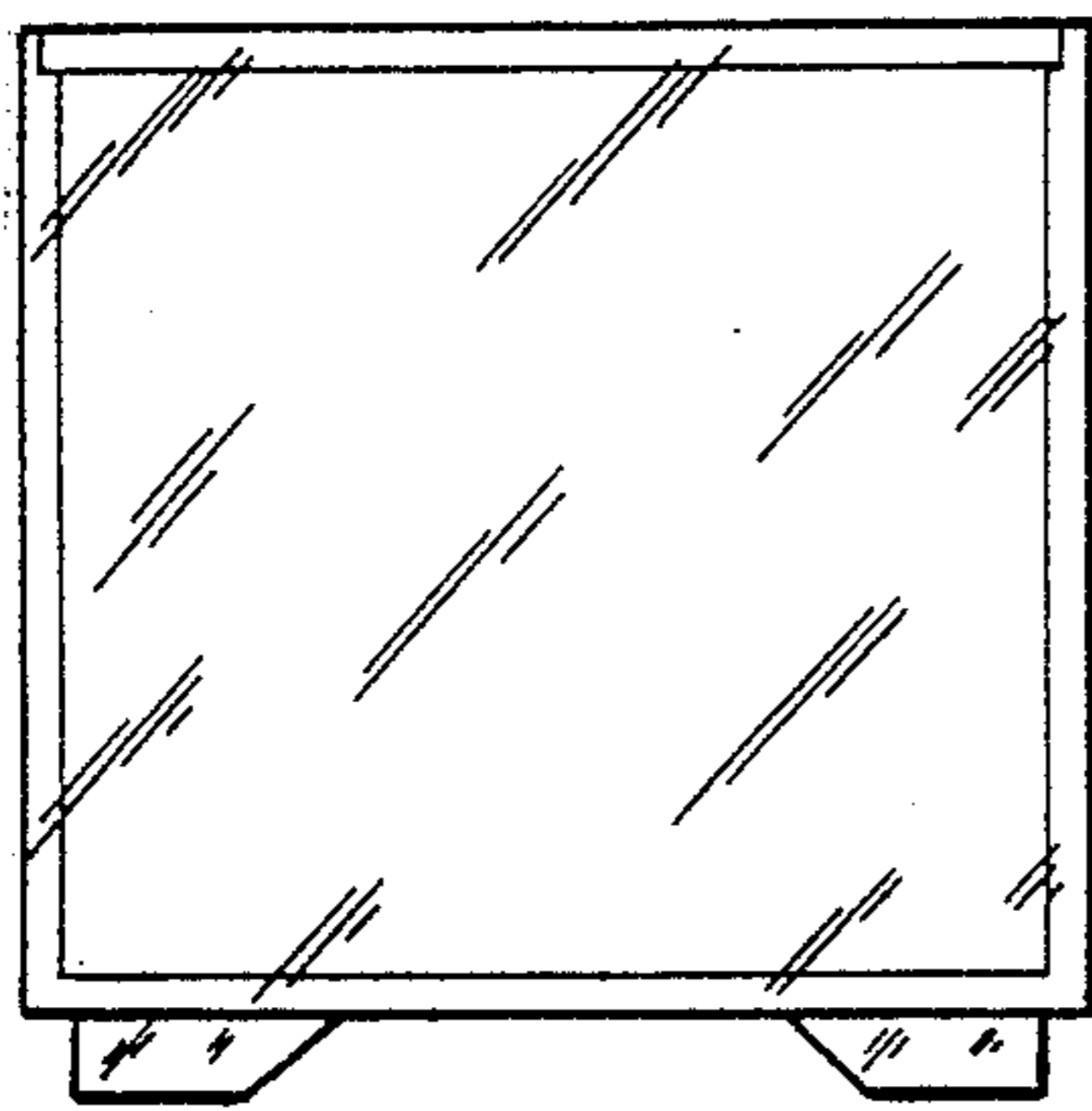


FIG. 10

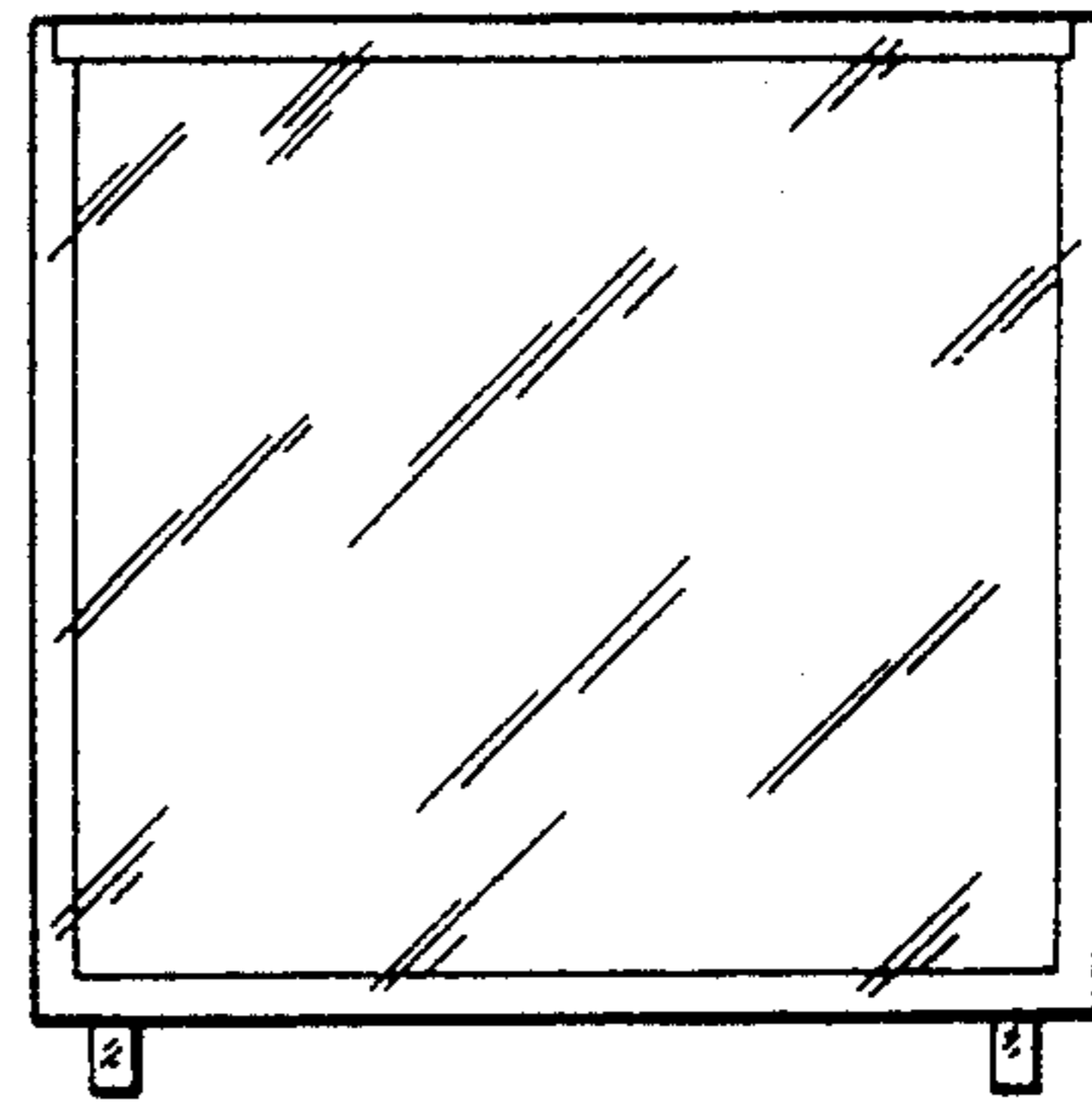


FIG. 11

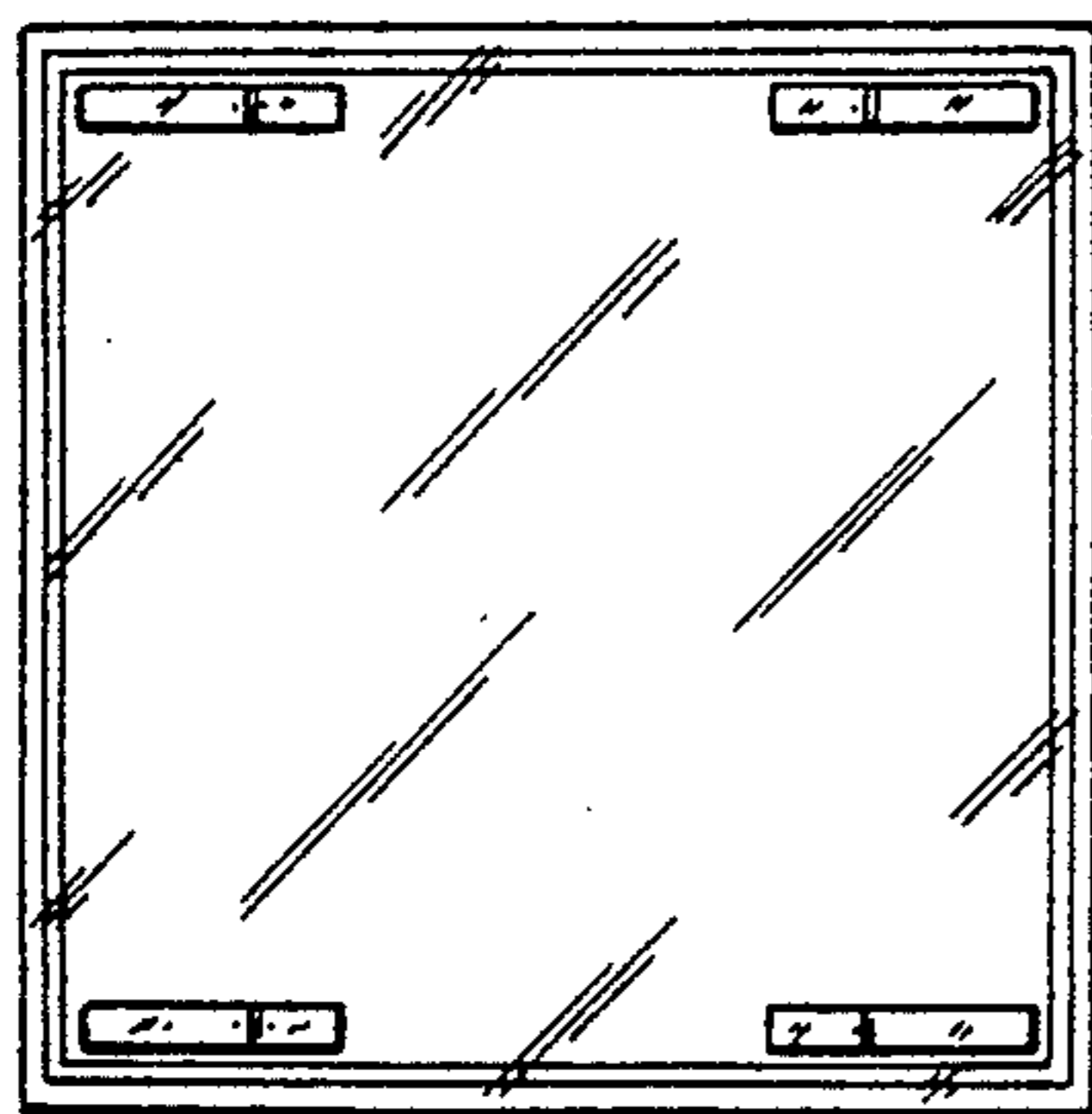


FIG. 12

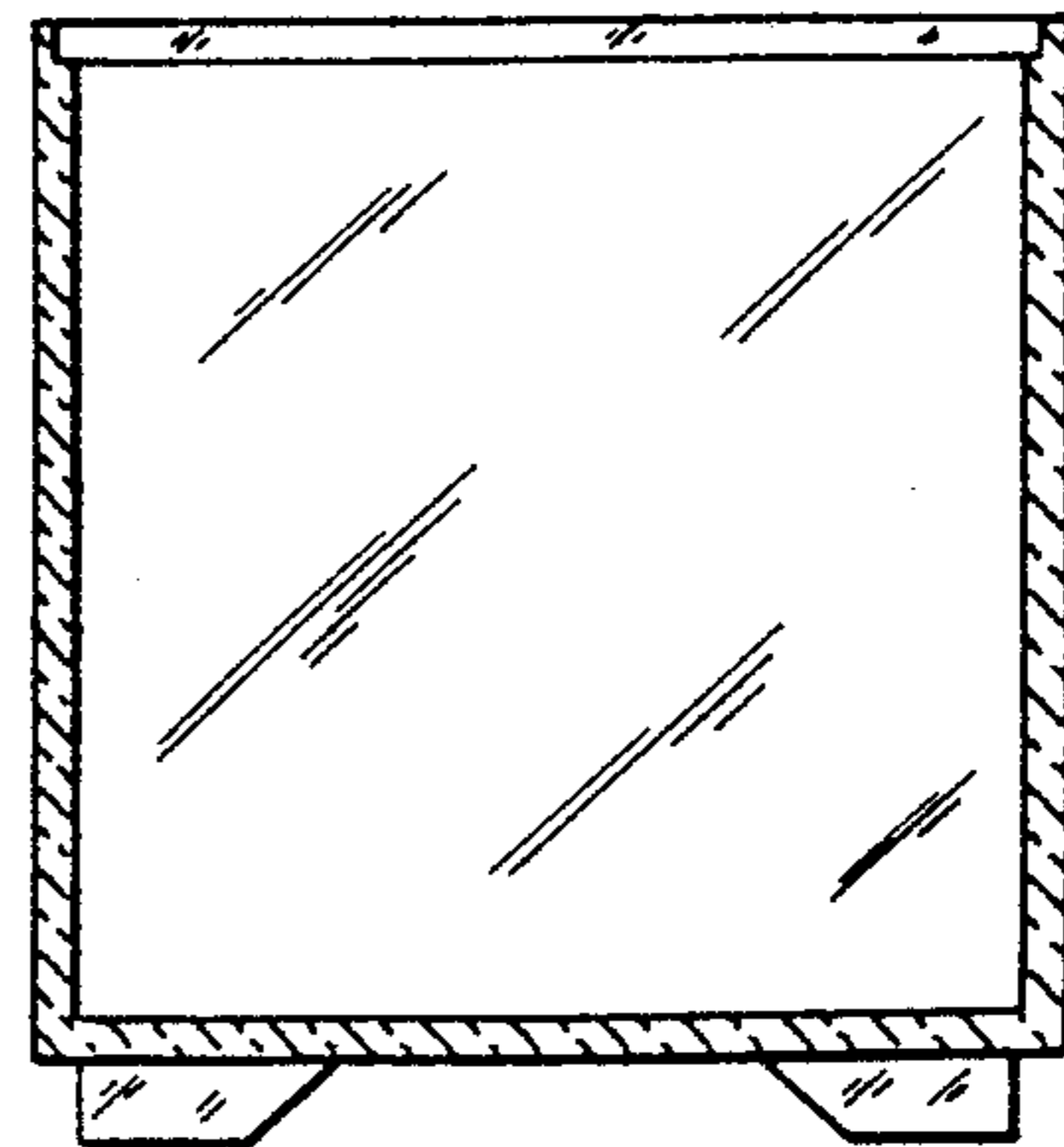


FIG. 13