

[54] ELECTRIC VACUUM CLEANER

[75] Inventors: Tsuneo Takahashi, Kawagoe; Takaharu Andoh, Yokohama; Kyouichi Morioka, Yokohama; Keiichi Washizuka, Yokohama, all of Japan

[73] Assignees: Kabushiki Kaisha Toshiba, Kawasaki; Tokyo Electric Co., Ltd., Tokyo, both of Japan

[\*] Notice: The portion of the term of this patent subsequent to Mar. 24, 2001 has been disclaimed.

[\*\*] Term: 14 Years

[21] Appl. No.: 621,568

[22] Filed: Jun. 18, 1984

[30] Foreign Application Priority Data

Dec. 19, 1983 [JP] Japan ..... 58-54363

[52] U.S. Cl. .... D32/24

[58] Field of Search ..... D32/18, 21, 23-24, D32/25, 31-32, 34; 15/143 A, 146, 321, 323, 327 R, 327 E, 327 F, 347, 352

[56] References Cited

U.S. PATENT DOCUMENTS

- D. 175,345 8/1955 Guild et al. .... D32/24
D. 201,668 7/1965 Hubertus ..... D32/24

- D. 246,752 12/1977 Fukuda et al. .... D32/18
D. 247,117 1/1978 Yoshida et al. .... D32/21
D. 276,944 12/1984 Parker et al. .... D32/24
3,022,101 2/1962 Descarries ..... 15/327 F
3,653,189 4/1972 Miyake et al. .... 15/323
4,426,211 1/1984 Ataka et al. .... 15/352

OTHER PUBLICATIONS

Merchandising, vol. 6, Nov. 1981, p. 93, Hoover Porta-power.
Washington Post, Woodward and Lothrop ad, 2/3/83, Eureka Mighty Mite Vacuum Cleaner.
W. Bell & Co. 1983, ©1982, p. 370, items B & D Vacuum Cleaners.

Primary Examiner—Wallace R. Burke
Assistant Examiner—Ruth E. Takemoto
Attorney, Agent, or Firm—Finnegan, Henderson, Farabow, Garrett & Dunner

[57] CLAIM

The ornamental design for an electric vacuum cleaner, substantially as shown.

DESCRIPTION

FIG. 1 is a front, top and right side perspective view of an electric vacuum cleaner showing our new design; FIG. 2 is a front elevational view thereof; FIG. 3 is a rear elevational view thereof; FIG. 4 is a right side elevational view thereof, the left side being a mirror image of the right; FIG. 5 is a top plan view thereof; and FIG. 6 is a bottom plan view thereof.

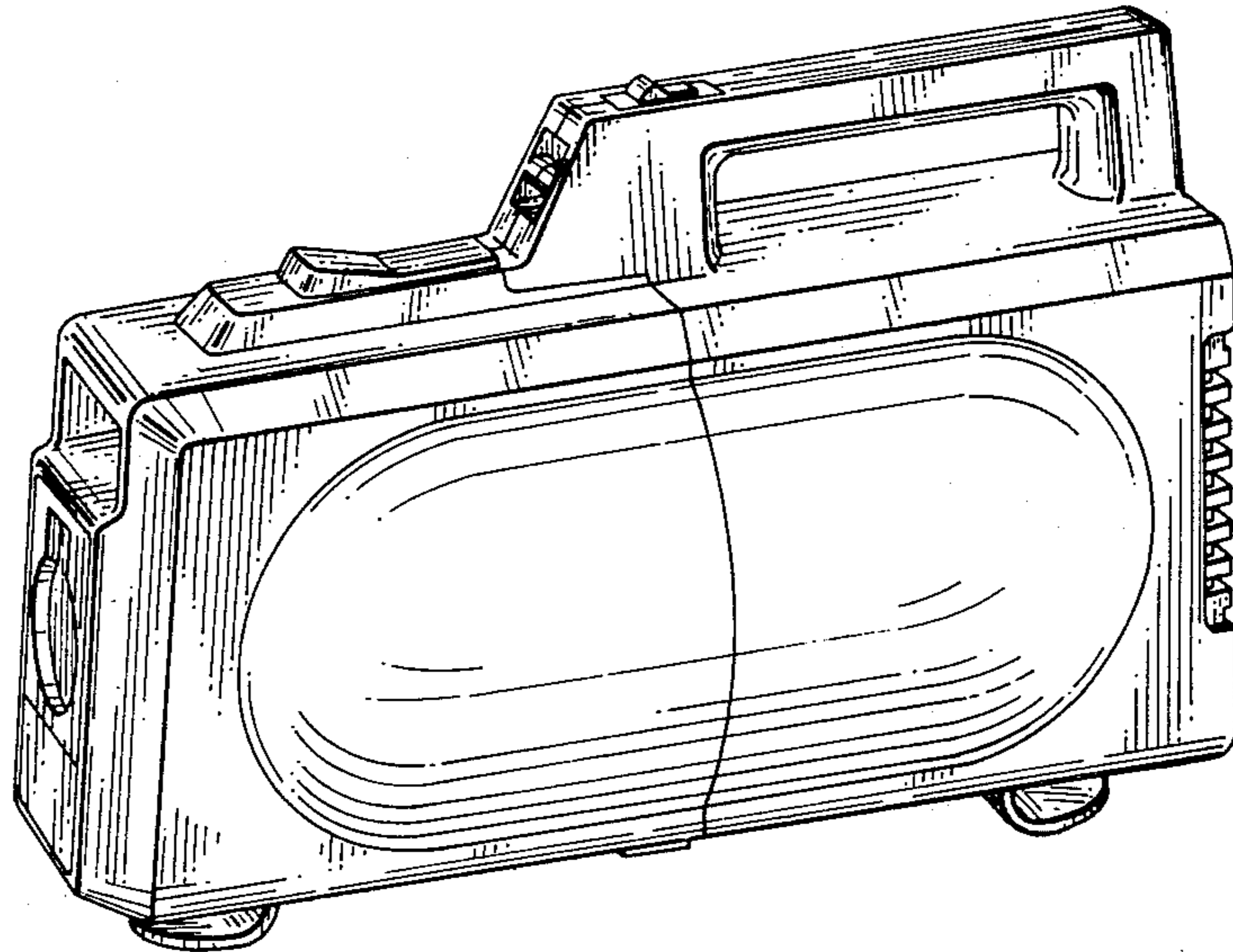


FIG. 1

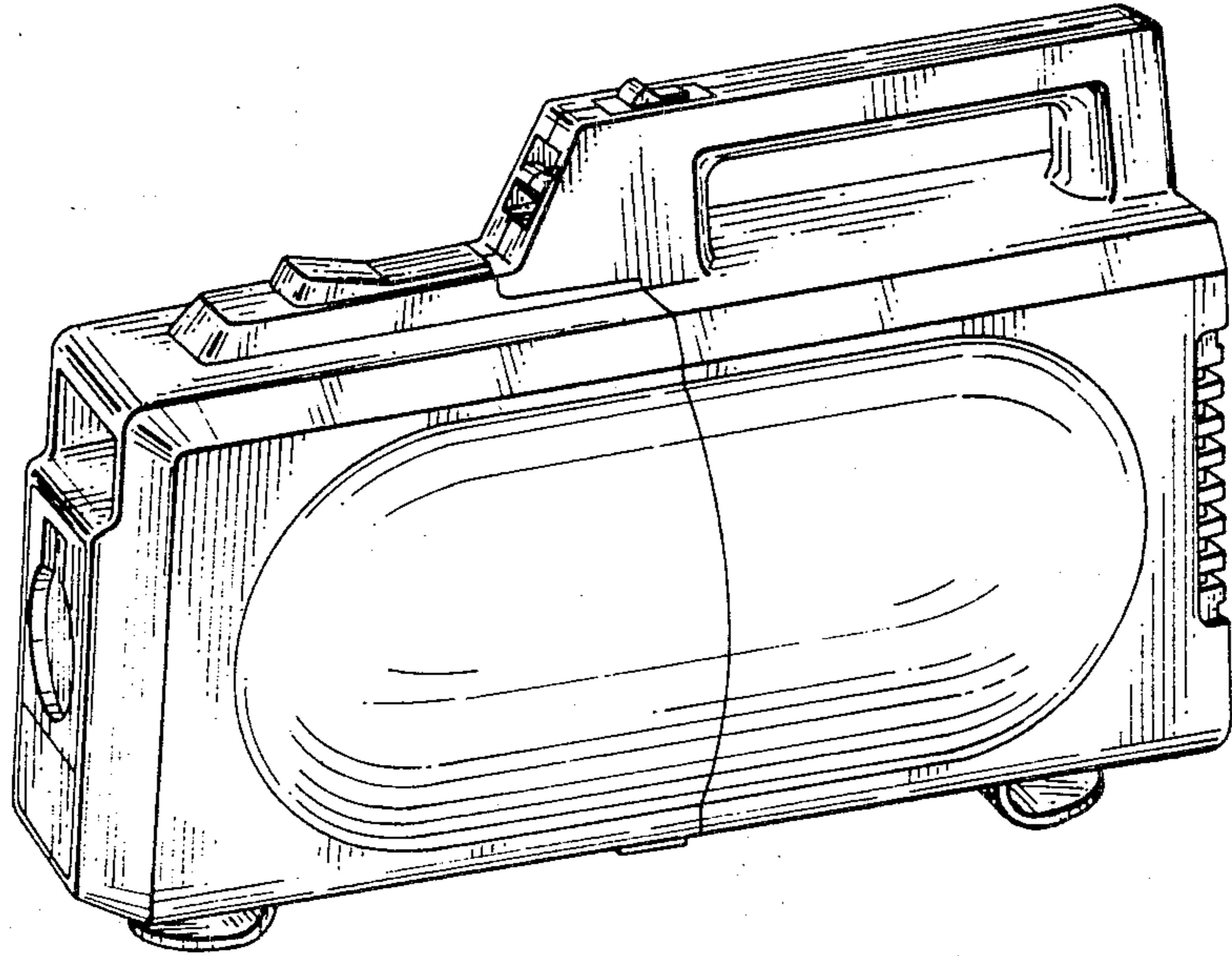


FIG. 2

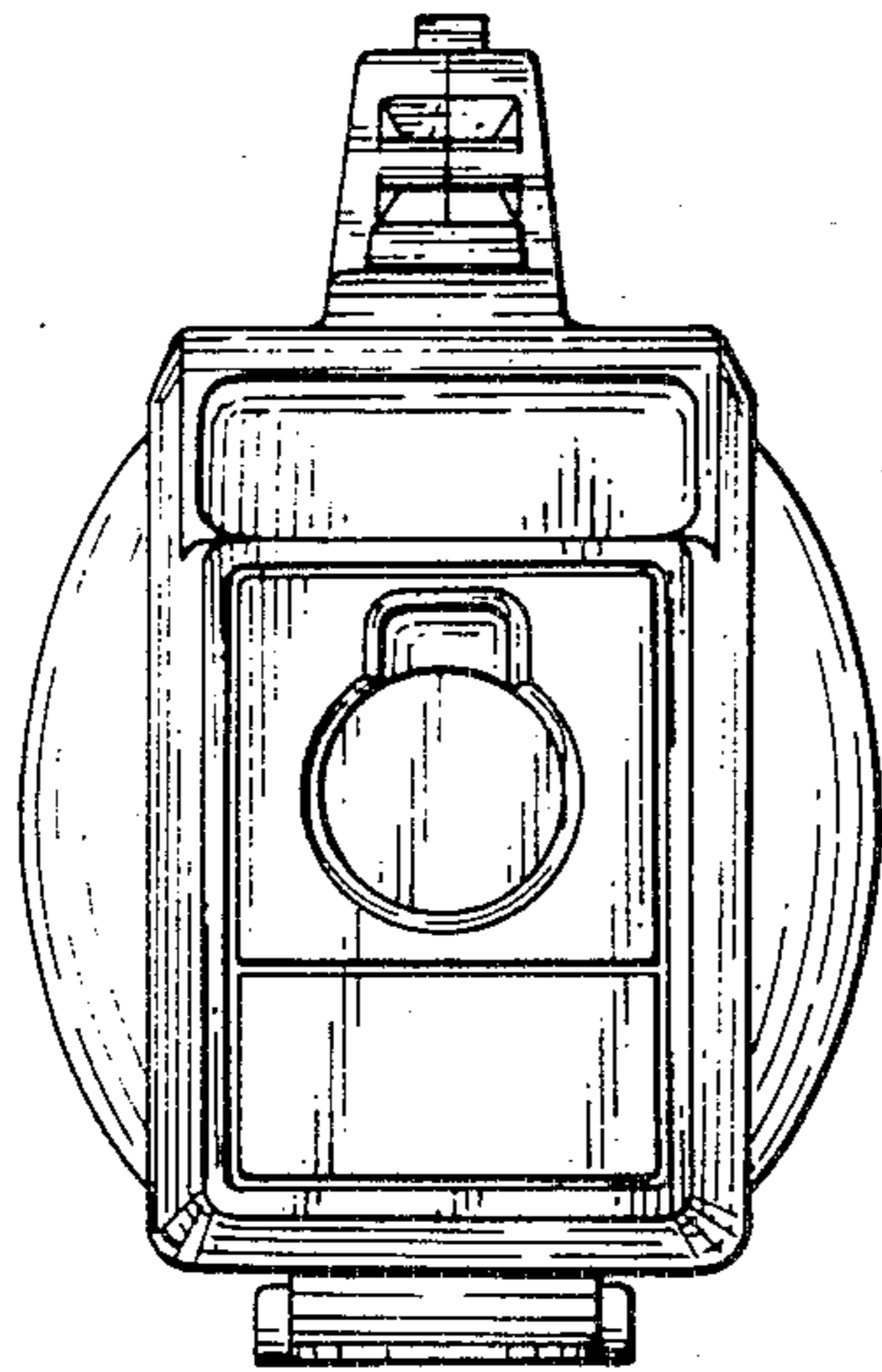


FIG. 3

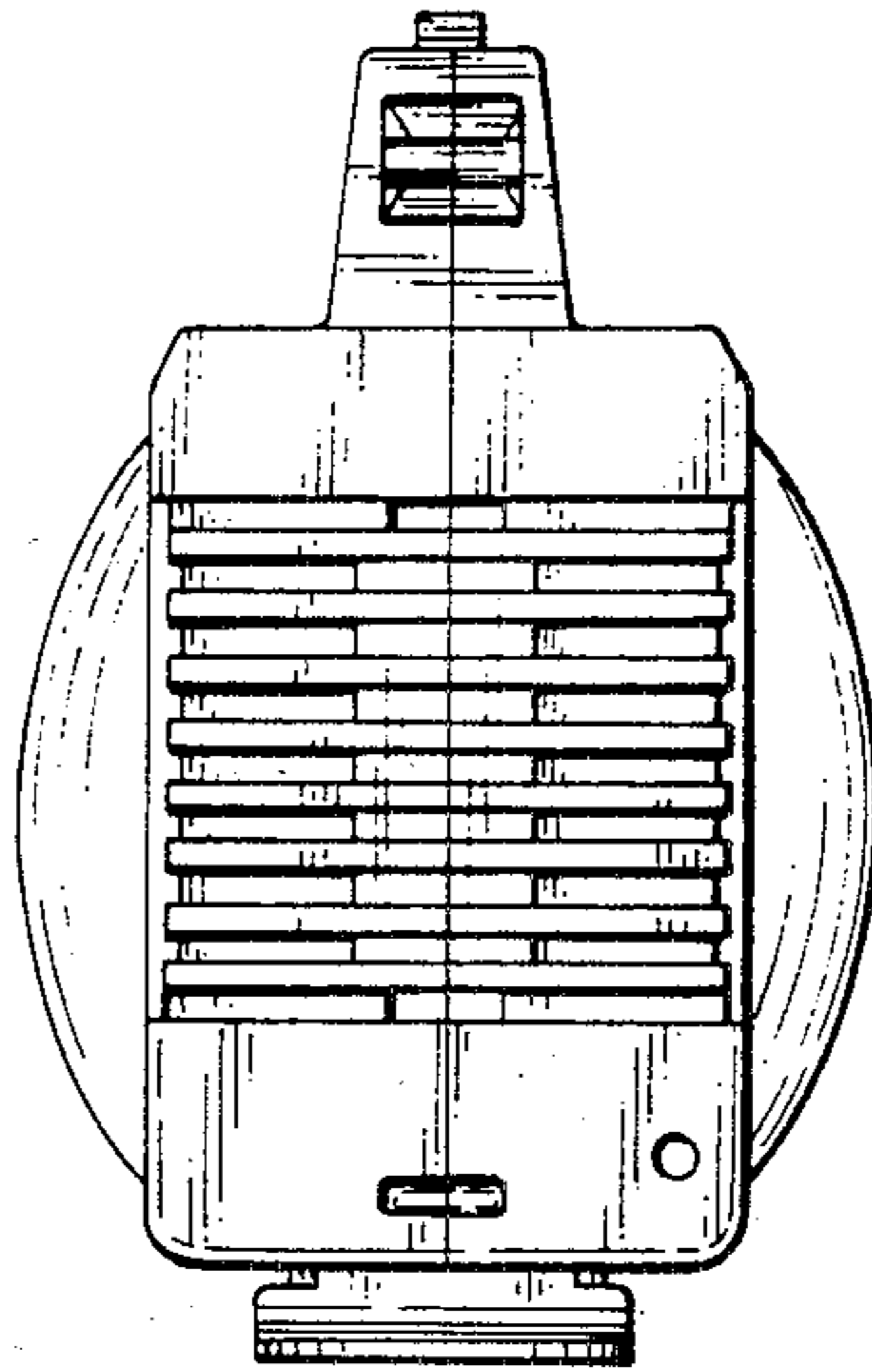


FIG. 4

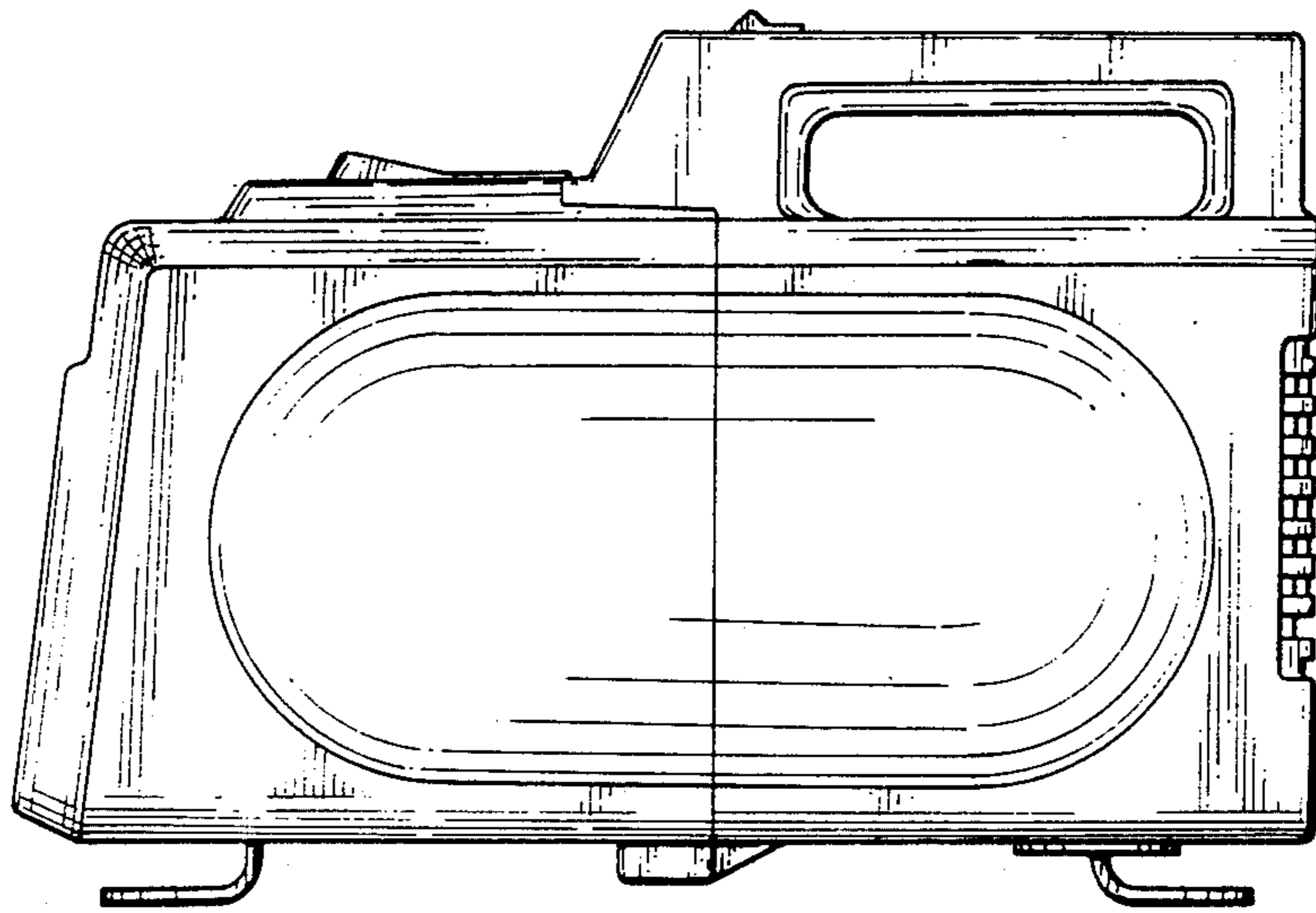


FIG. 5

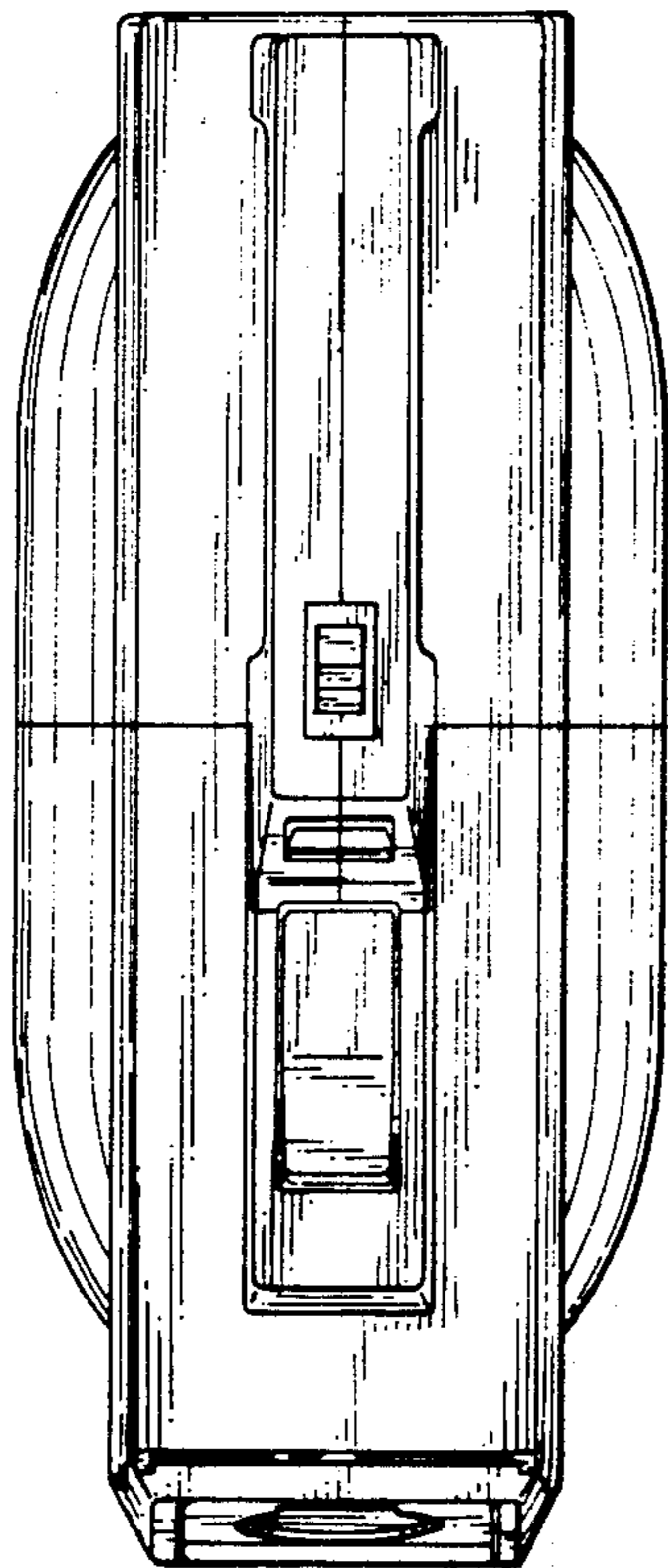


FIG. 6

