

[54] AIR SUCTION CLEANING DEVICE

[76] Inventor: Flemming Larsen, 2482 Ferrier St., Winnipeg, Manitoba, Canada, R2P 0G7

[\*\*] Term: 14 Years

[21] Appl. No.: 630,297

[22] Filed: Jul. 12, 1984

[52] U.S. Cl. .... D32/21

[58] Field of Search ..... D32/1, 6, 8, 13, 15-16, D32/25-26, 29, 35, 45; 134/102, 117, 104-105, 169 A, 184, 198, 200

[56] References Cited

U.S. PATENT DOCUMENTS

D. 239,559	4/1976	Crener et al. ....	D32/16
2,454,585	11/1948	Alderman .....	134/169 A
3,308,609	3/1967	McCulloch et al. ....	15/327 R

Primary Examiner—Wallace R. Burke  
Assistant Examiner—Ruth E. Takemoto  
Attorney, Agent, or Firm—Stanley G. Ade; Adrian D. Battison

[57] CLAIM

The ornamental design for an air suction cleaning device, as shown and described.

DESCRIPTION

FIG. 1 is a side elevational view of an air suction cleaning device showing my new design.

FIG. 2 is a front elevational view thereof.

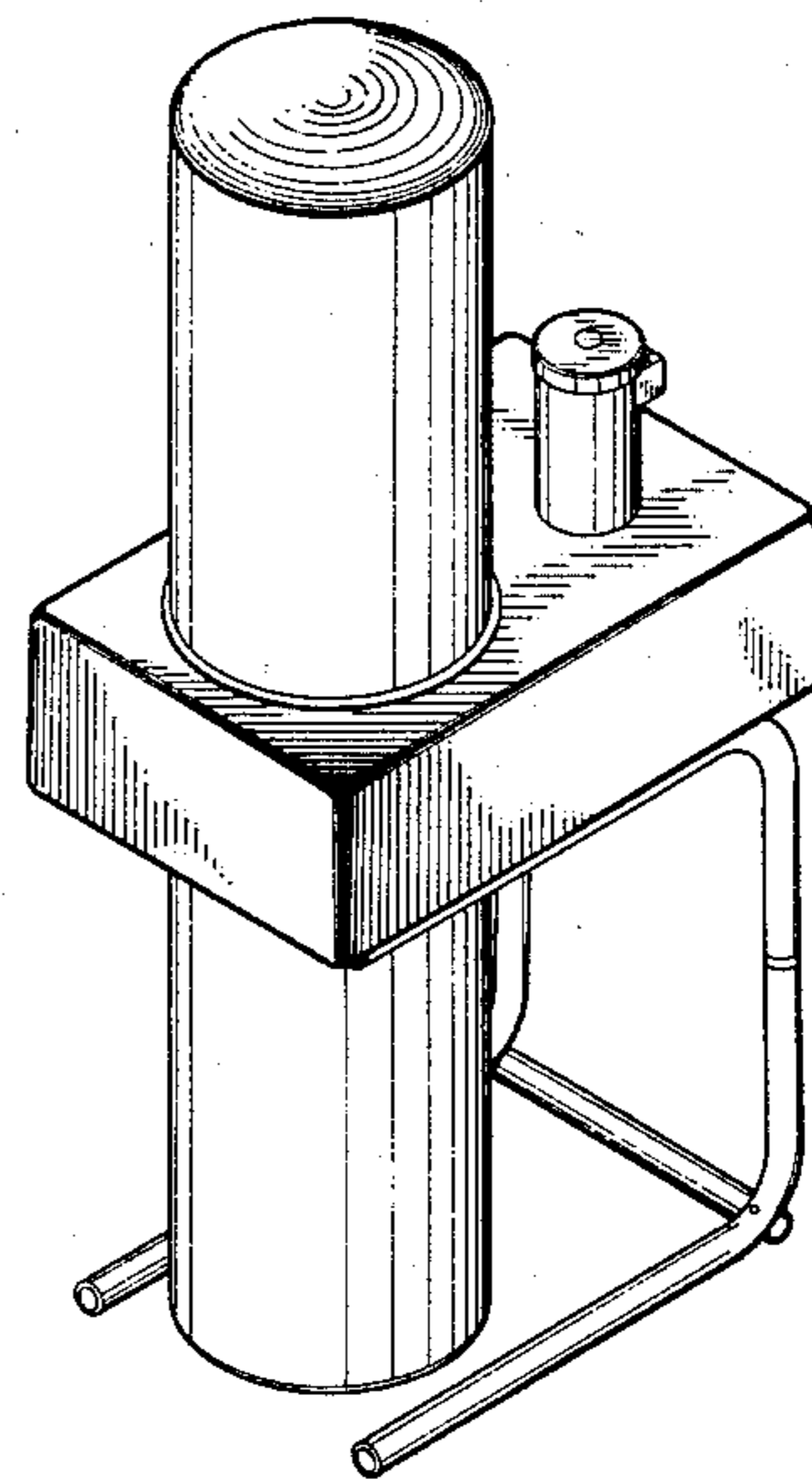
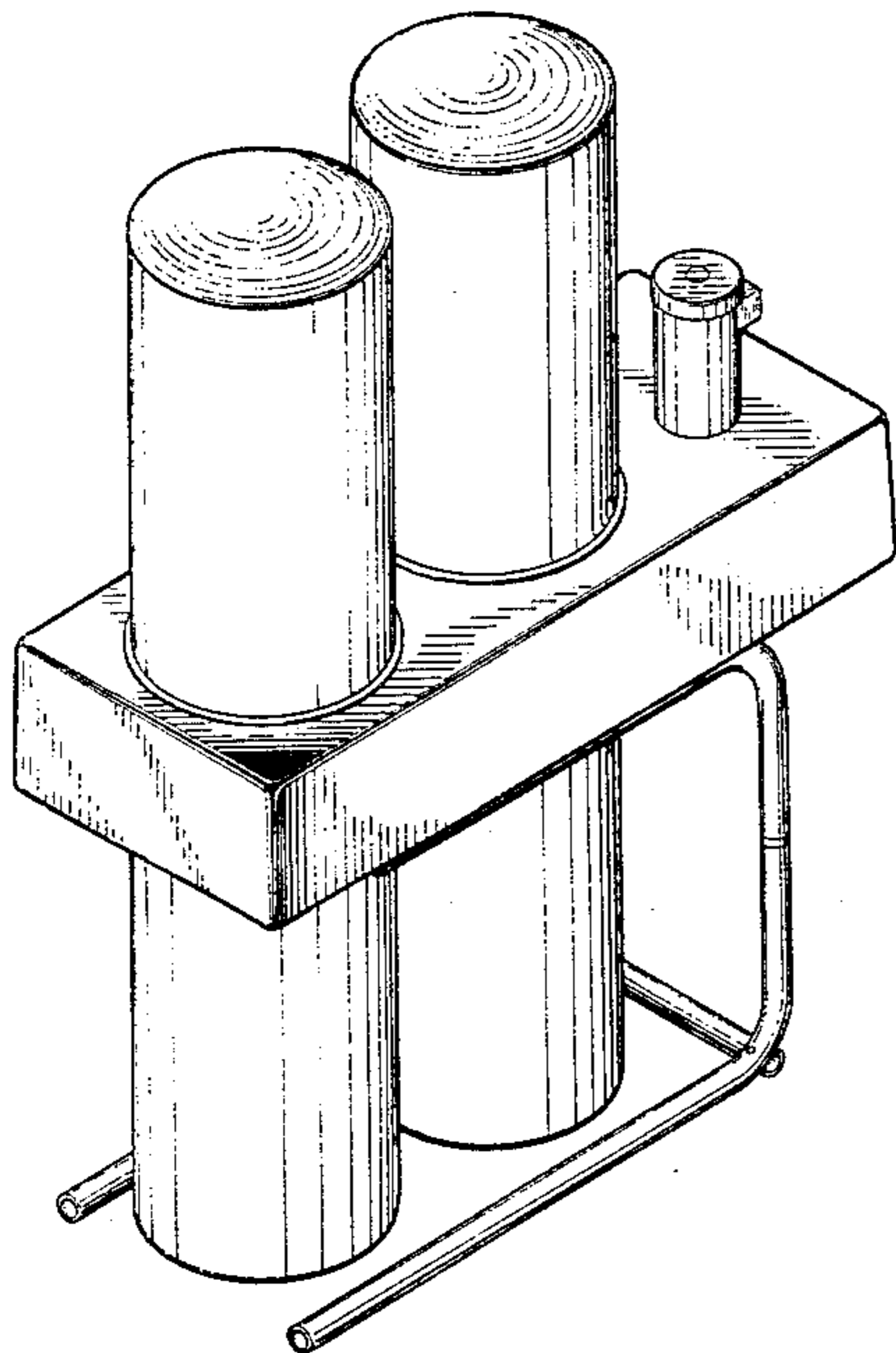
FIG. 3 is a rear elevational view thereof.

FIG. 4 is a top plan view thereof.

FIG. 5 is a bottom plan view thereof.

FIG. 6 is an isometric view thereof.

FIG. 7 is an isometric view of a second embodiment of the air suction cleaning device, wherein the only difference resides in the use of a single tank.



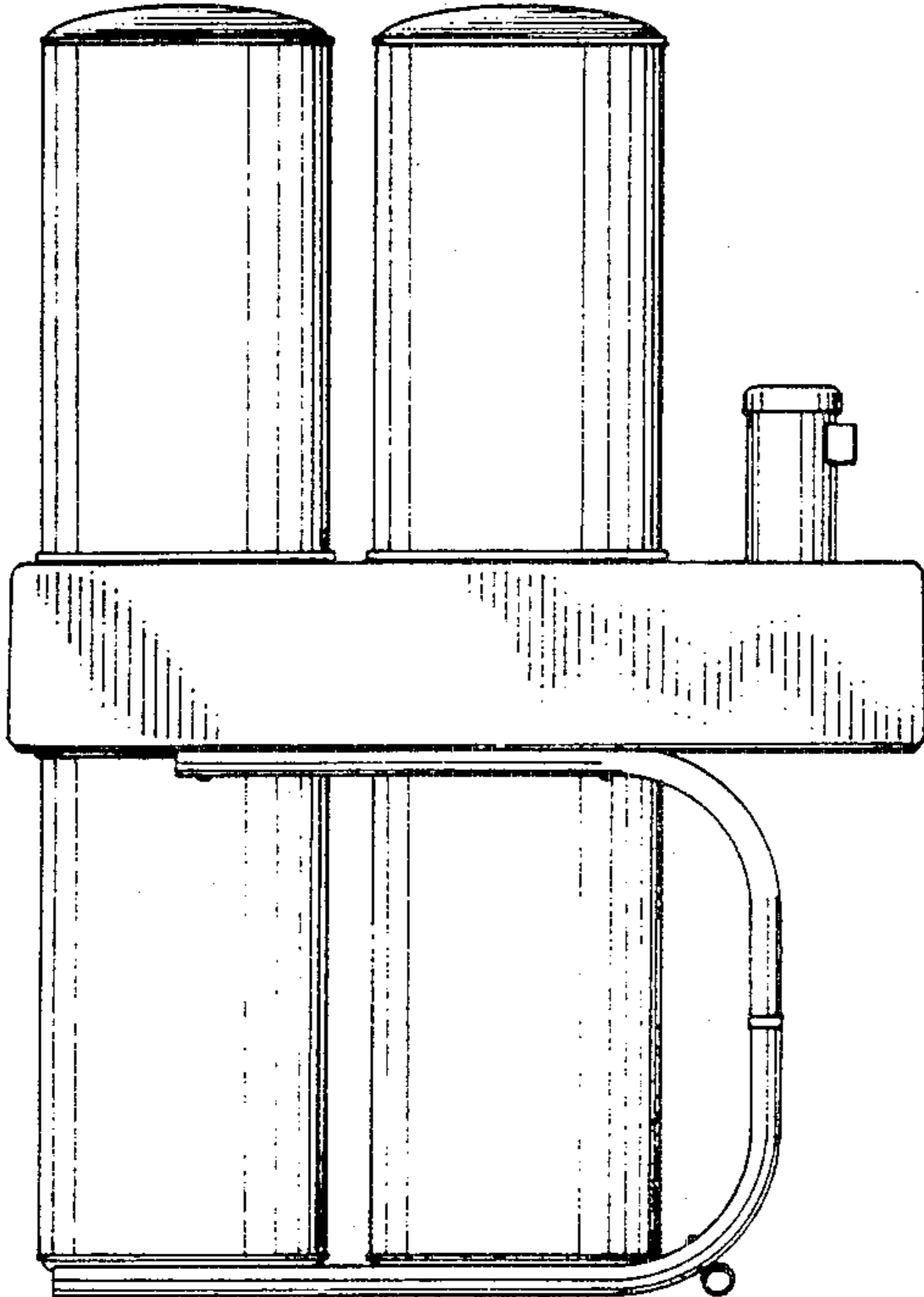


FIG. 1

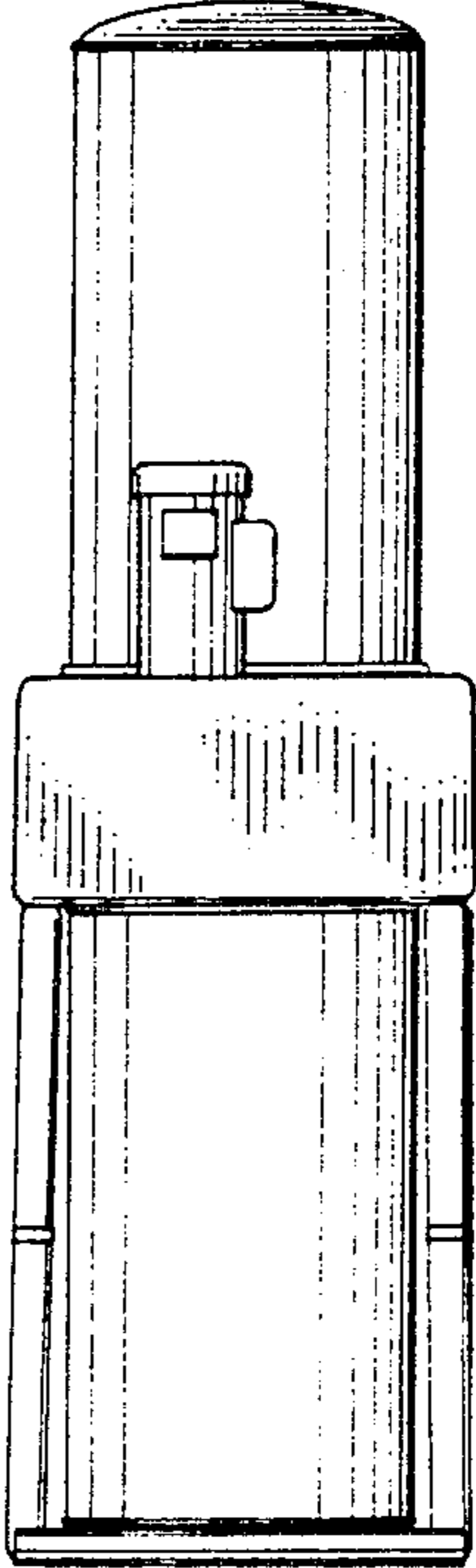


FIG. 2

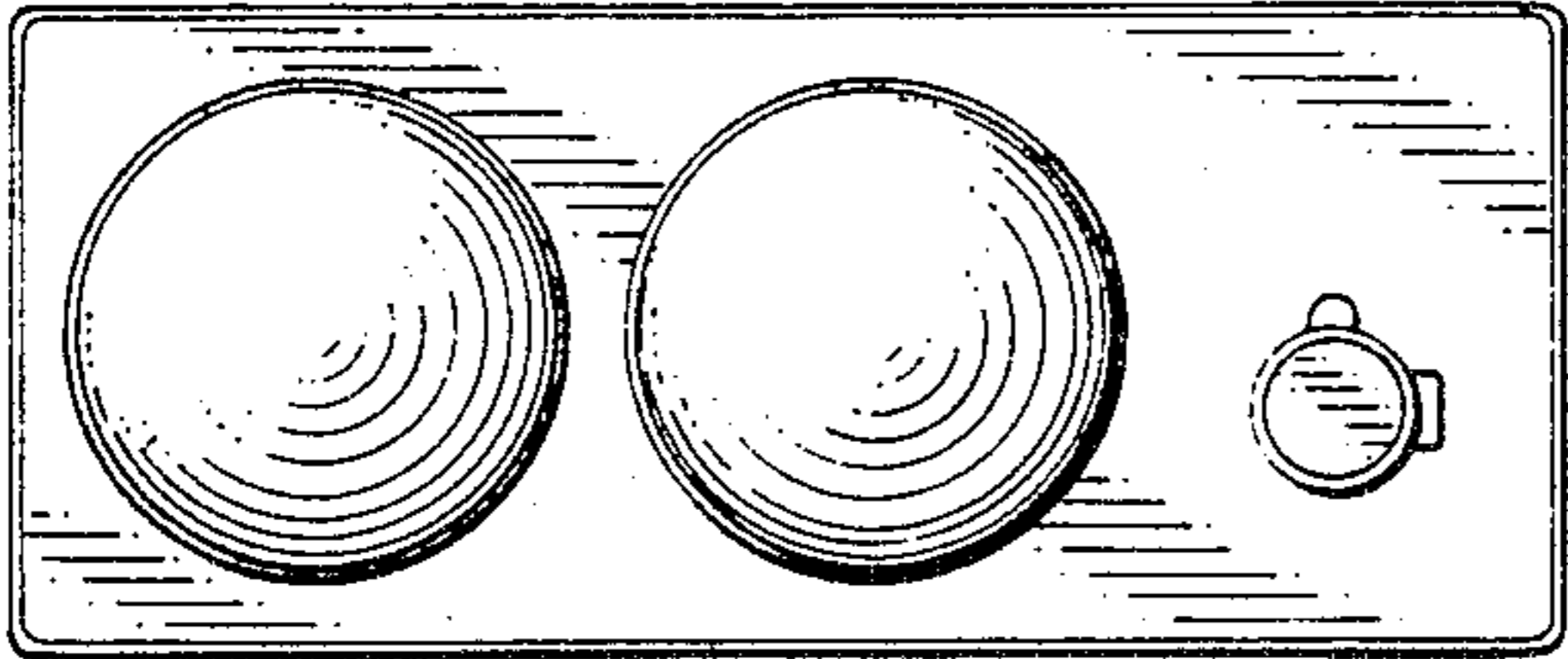


FIG. 4

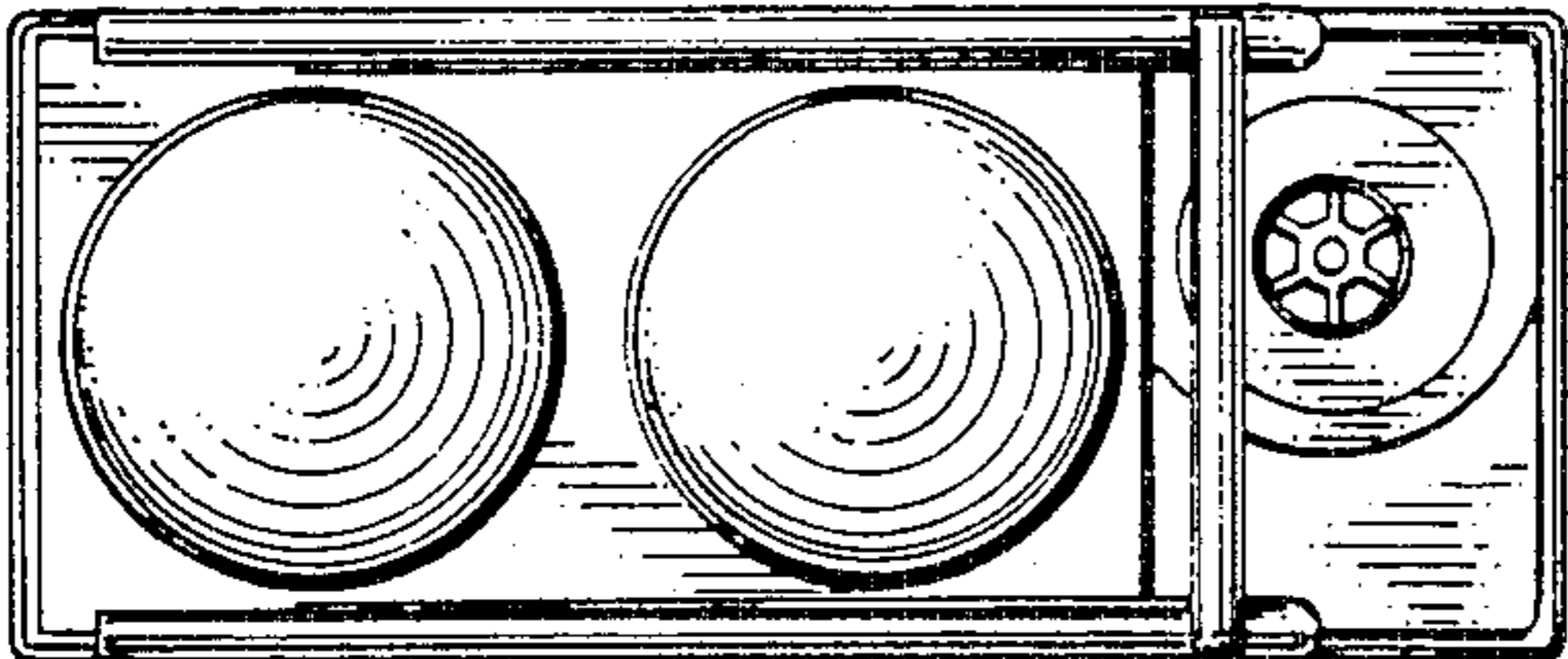


FIG. 5

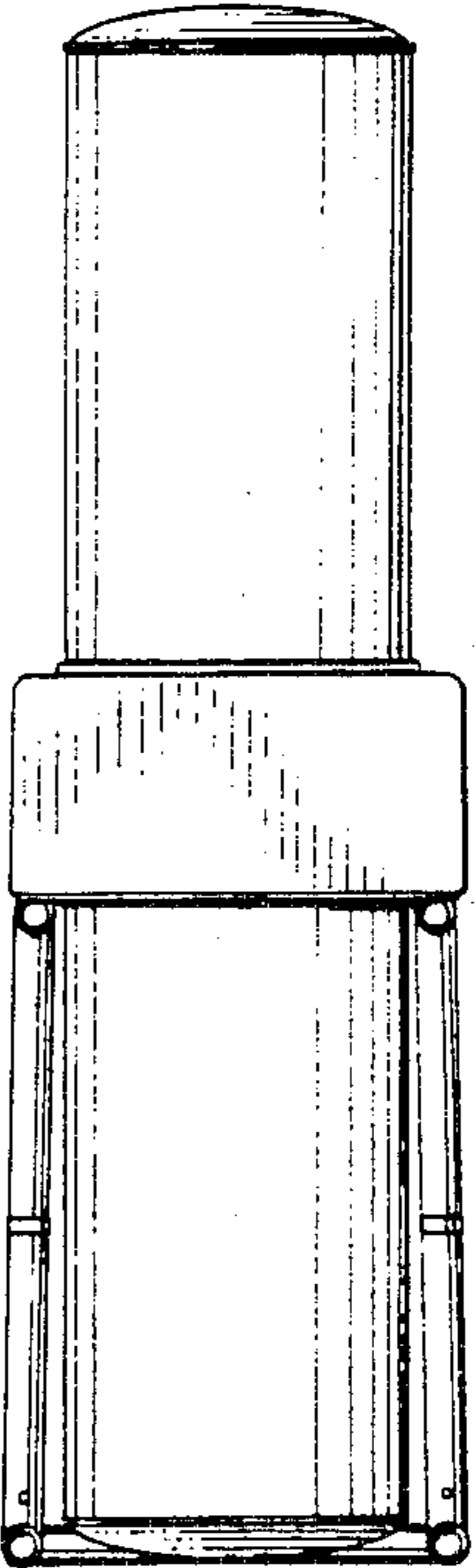


FIG. 3

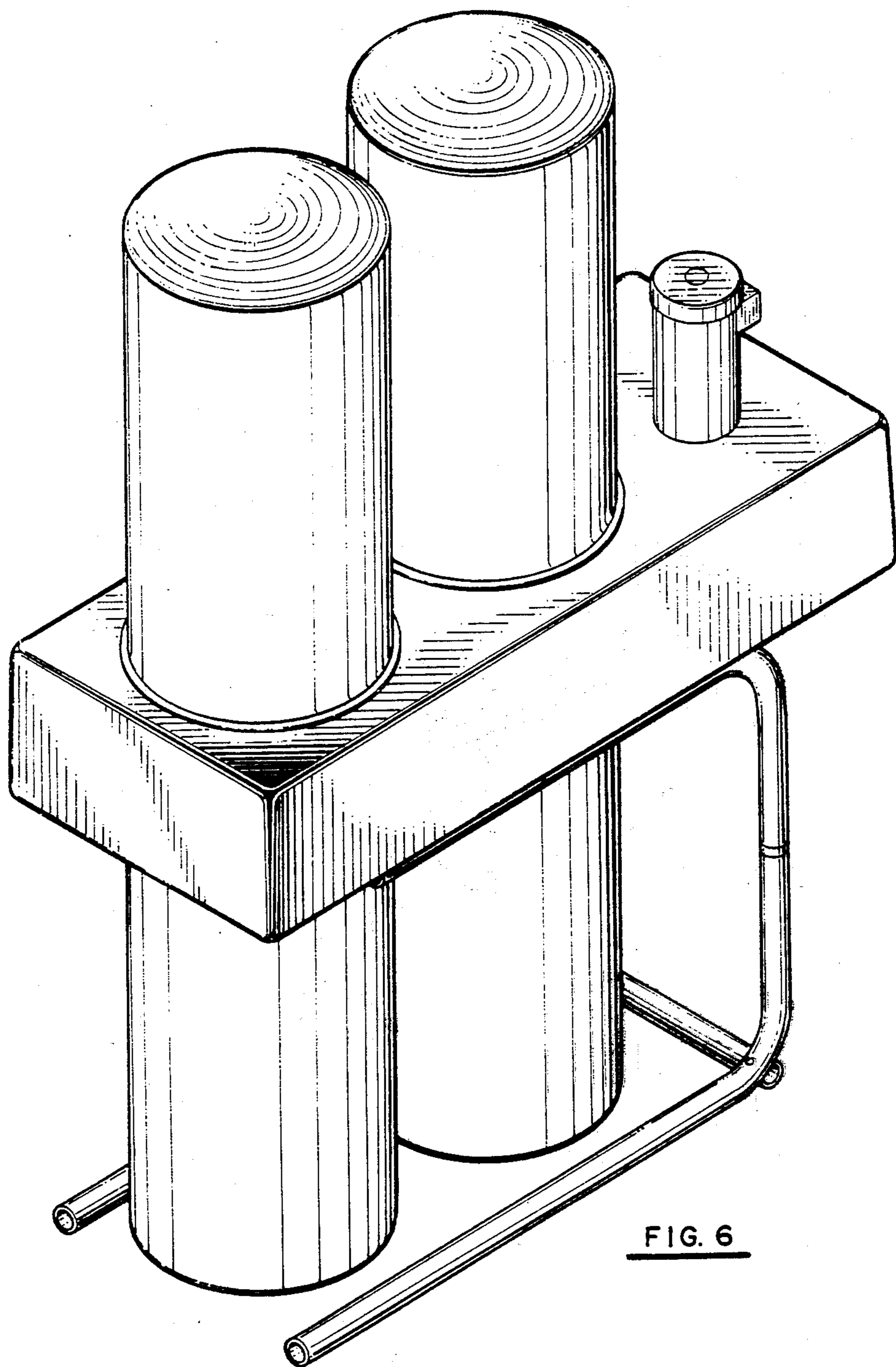


FIG. 6

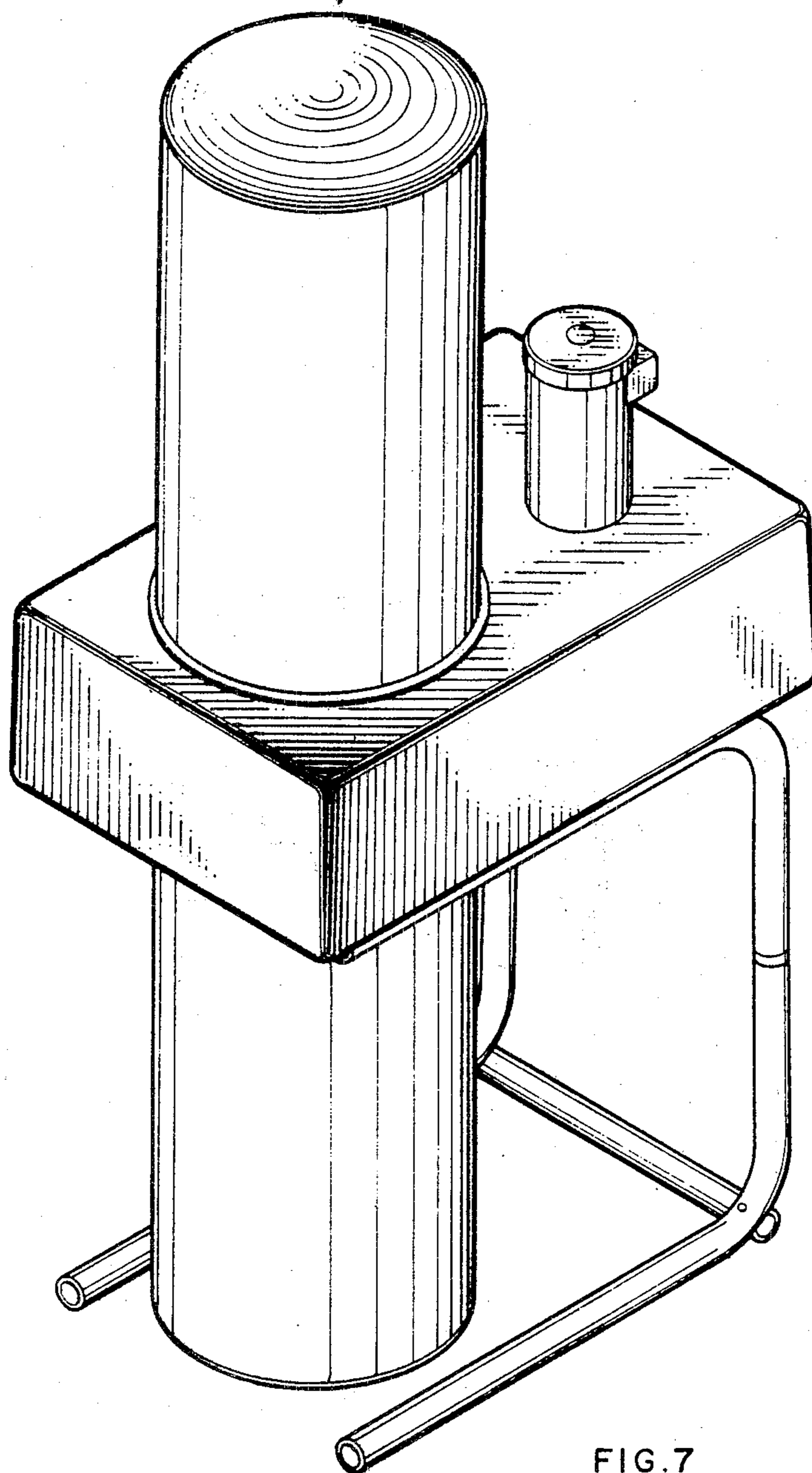


FIG. 7