

[54] HAIRSETTER

[75] Inventor: Jorgen Skovdal, Trumbull, Conn.

[73] Assignee: Clairol Incorporated, New York, N.Y.

[**] Term: 14 Years

[21] Appl. No.: 697,360

[22] Filed: Feb. 1, 1985

[52] U.S. Cl. D28/38

[58] Field of Search D28/9-11, D28/35, 38, 73; 219/222, 242; 132/1 R, 7, 9

[56] References Cited

U.S. PATENT DOCUMENTS

- D. 221,603 8/1971 Levin D28/38
- D. 222,519 10/1971 Kudo D28/38

Primary Examiner—Louis S. Zarfes
Attorney, Agent, or Firm—G. Warzecha

[57] CLAIM

The ornamental design for a hairsetter, as shown and described.

DESCRIPTION

FIG. 1 is a perspective view of a hairsetter showing my new design with the cover open;
 FIG. 2 is a top plan view of my hairsetter design with the cover closed;
 FIG. 3 is a front elevational view thereof;
 FIG. 4 is a right-side elevational view thereof;
 FIG. 5 is a back elevational view thereof;
 FIG. 6 is a bottom plan view thereof;
 FIG. 7 is a right-side elevational view of an alternate embodiment of the hairsetter; and
 FIG. 8 is a bottom plan view thereof.

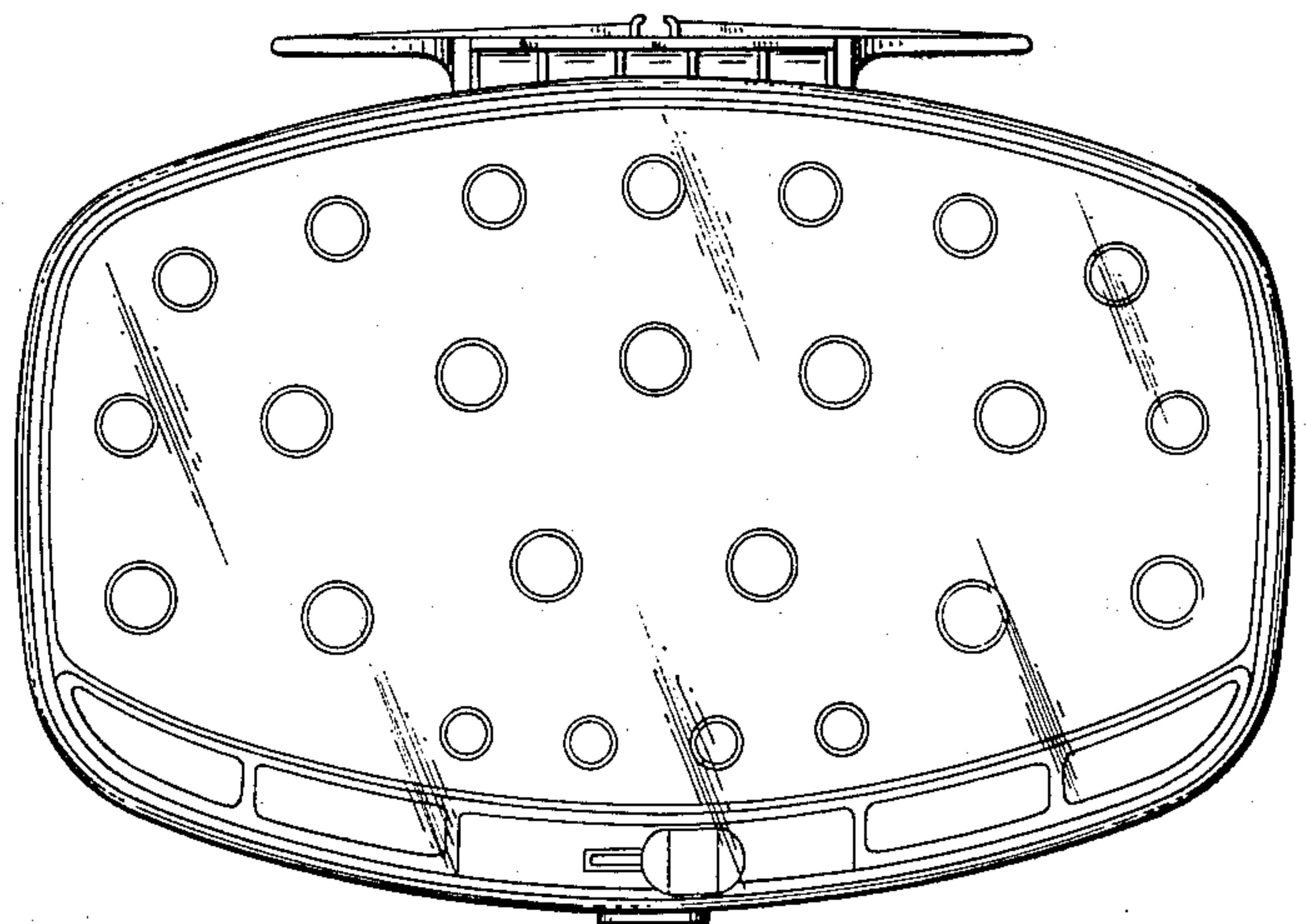
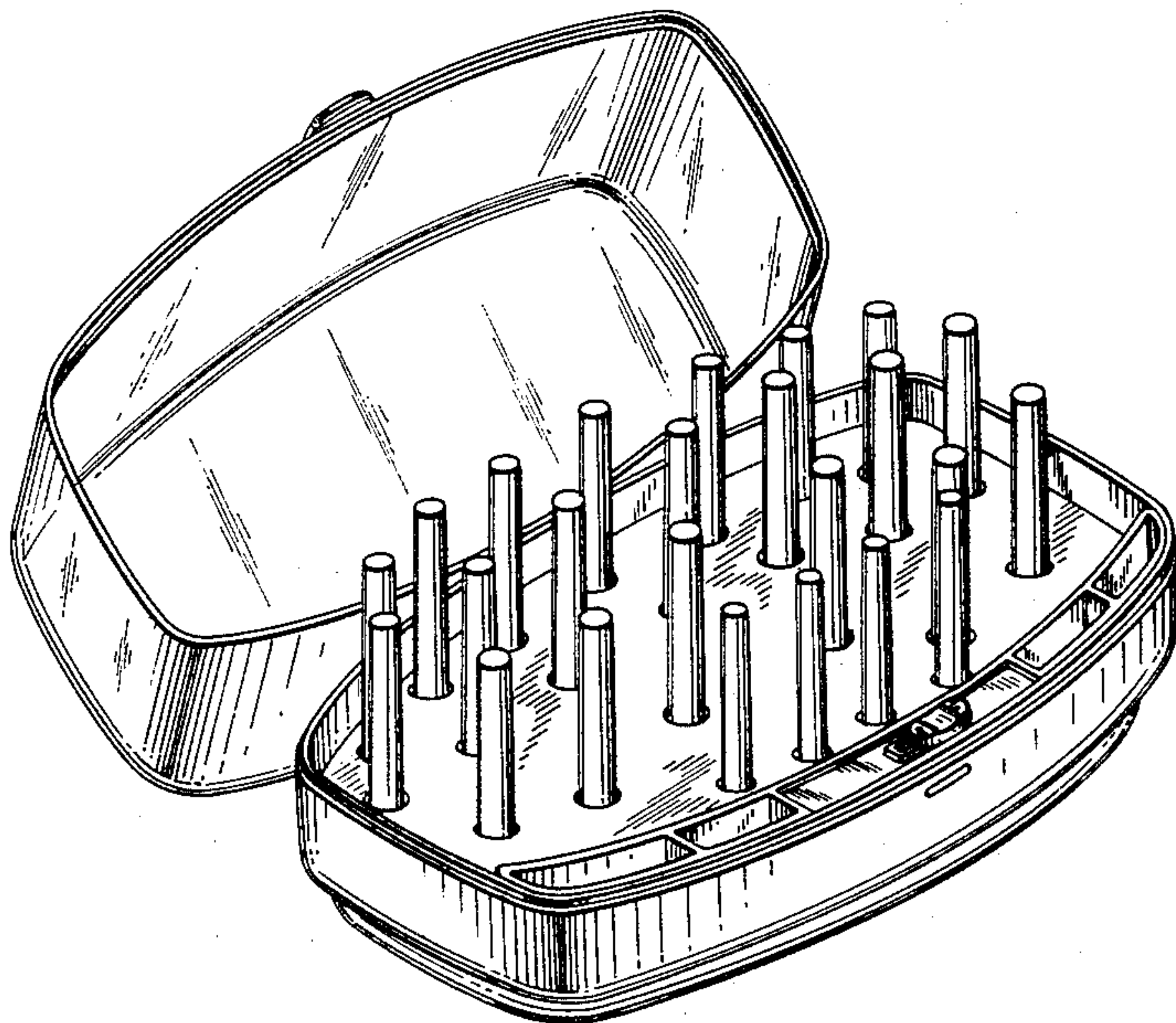


FIG. 1

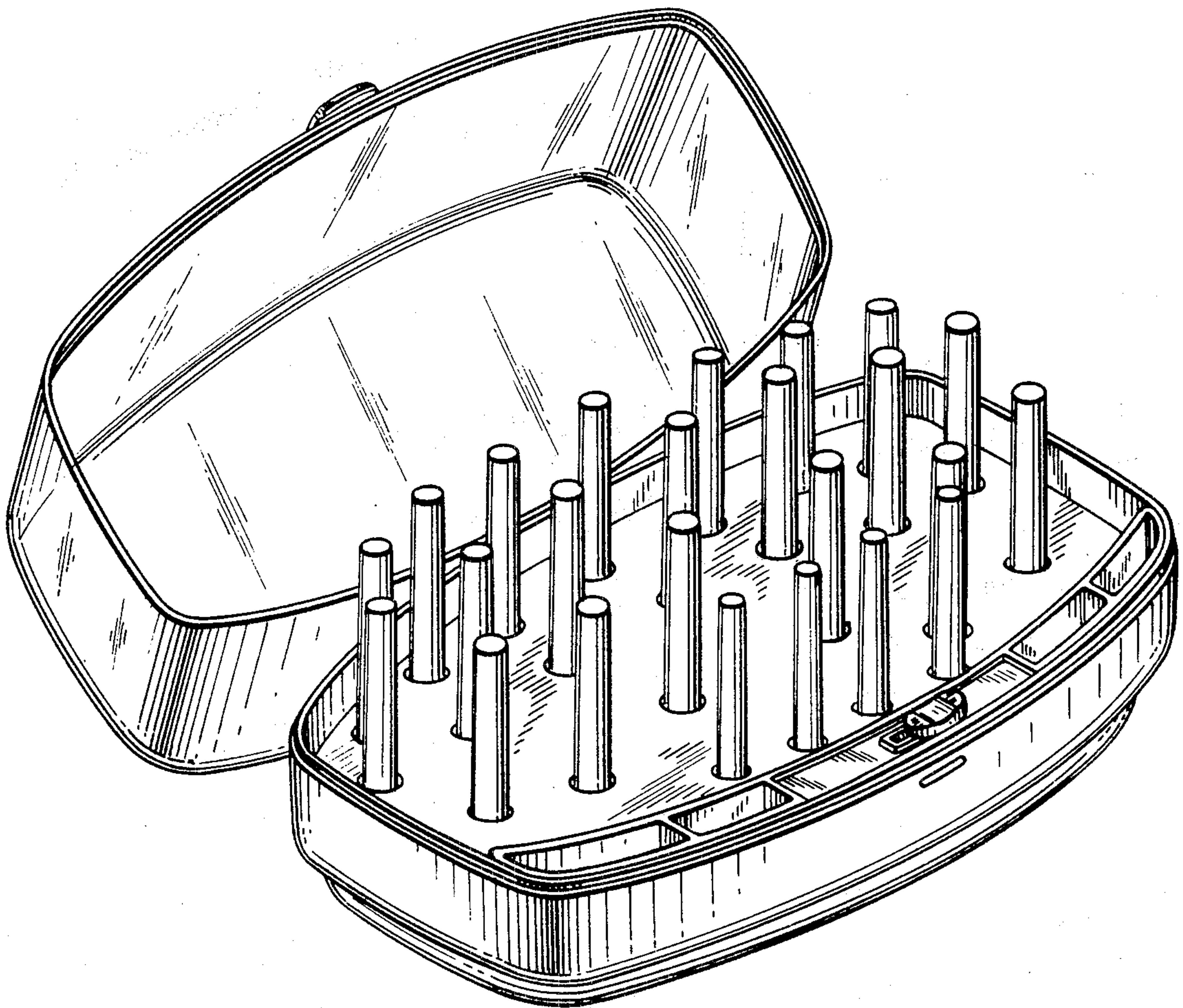


FIG. 2

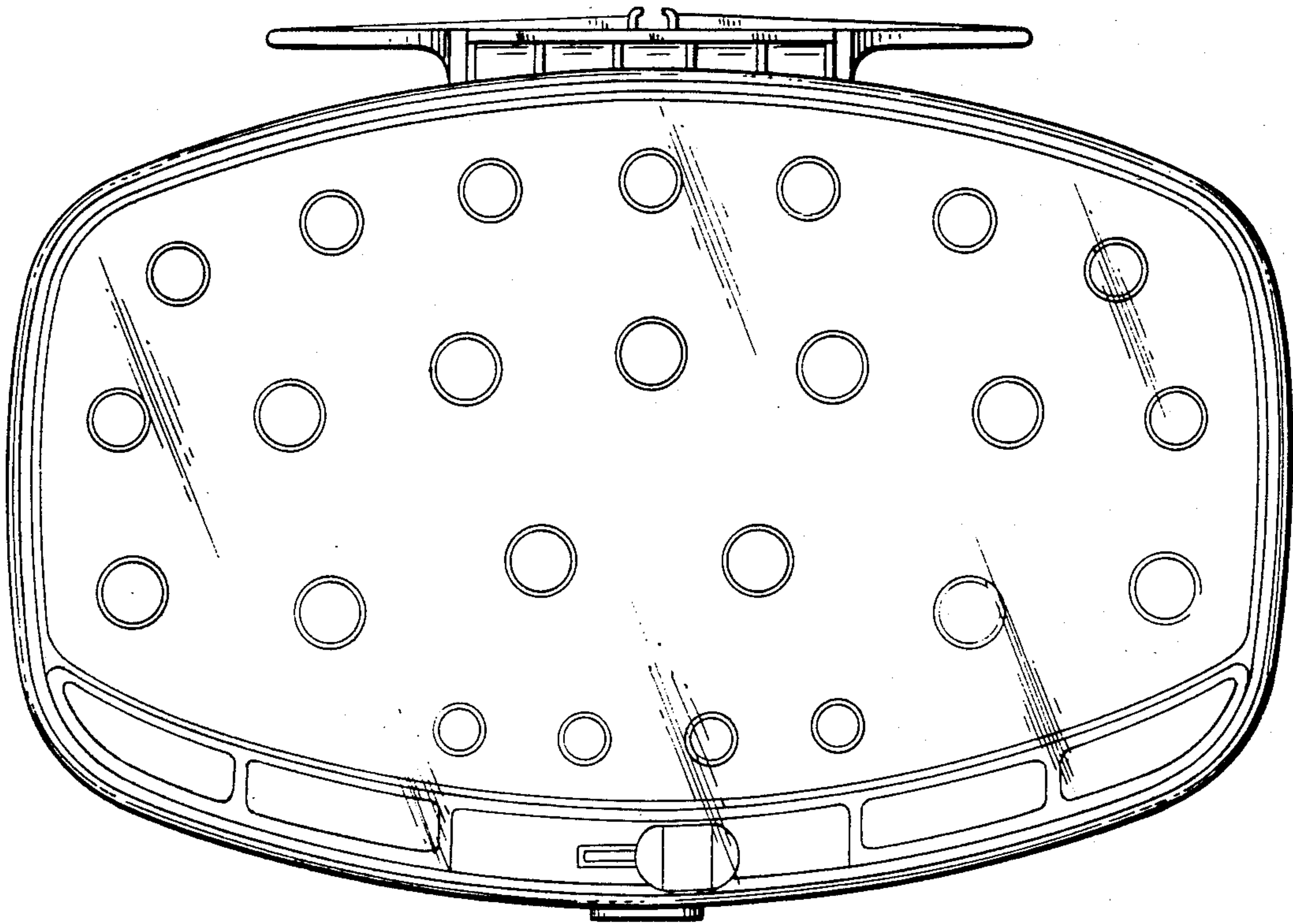


FIG. 3

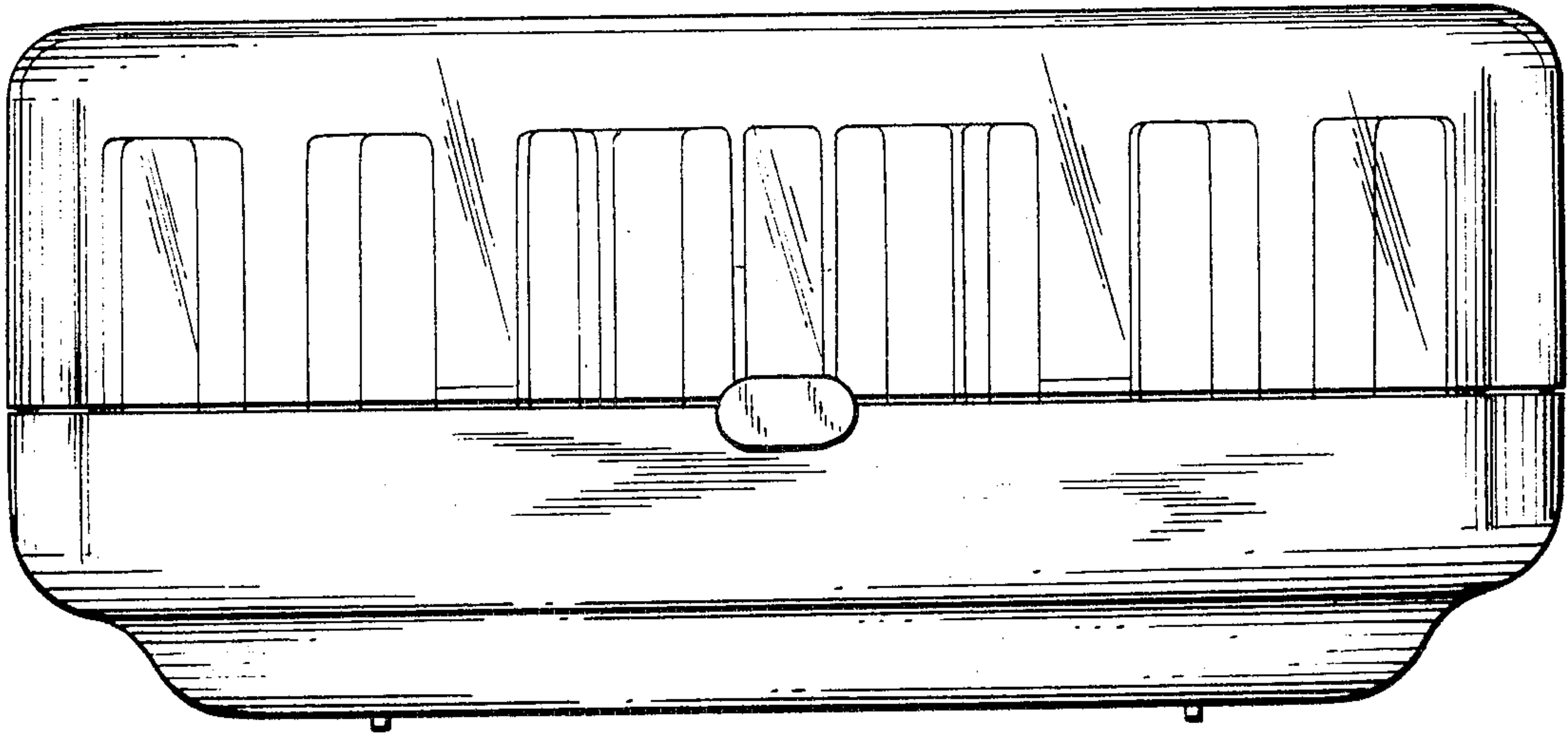


FIG. 4

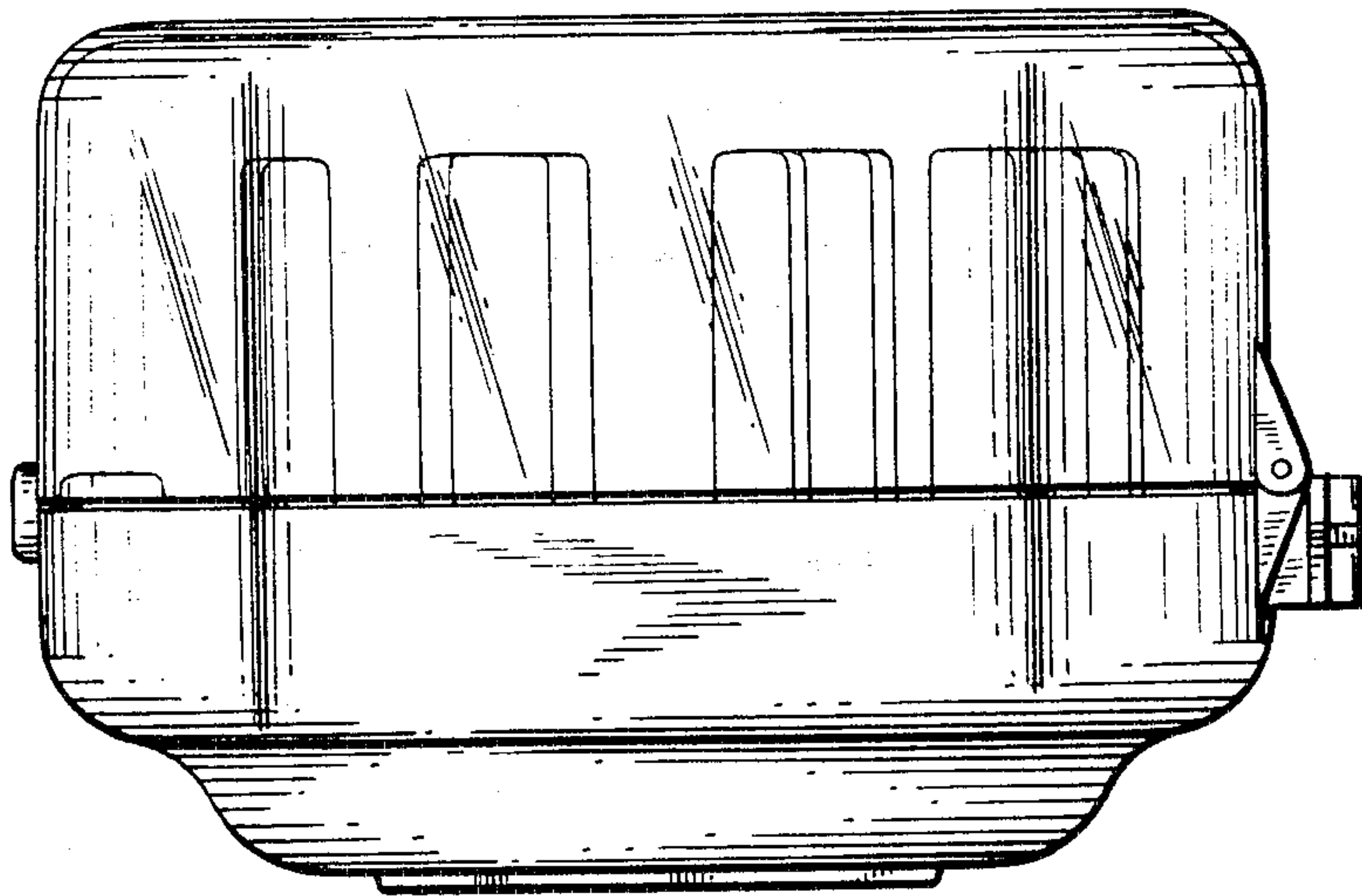


FIG. 5

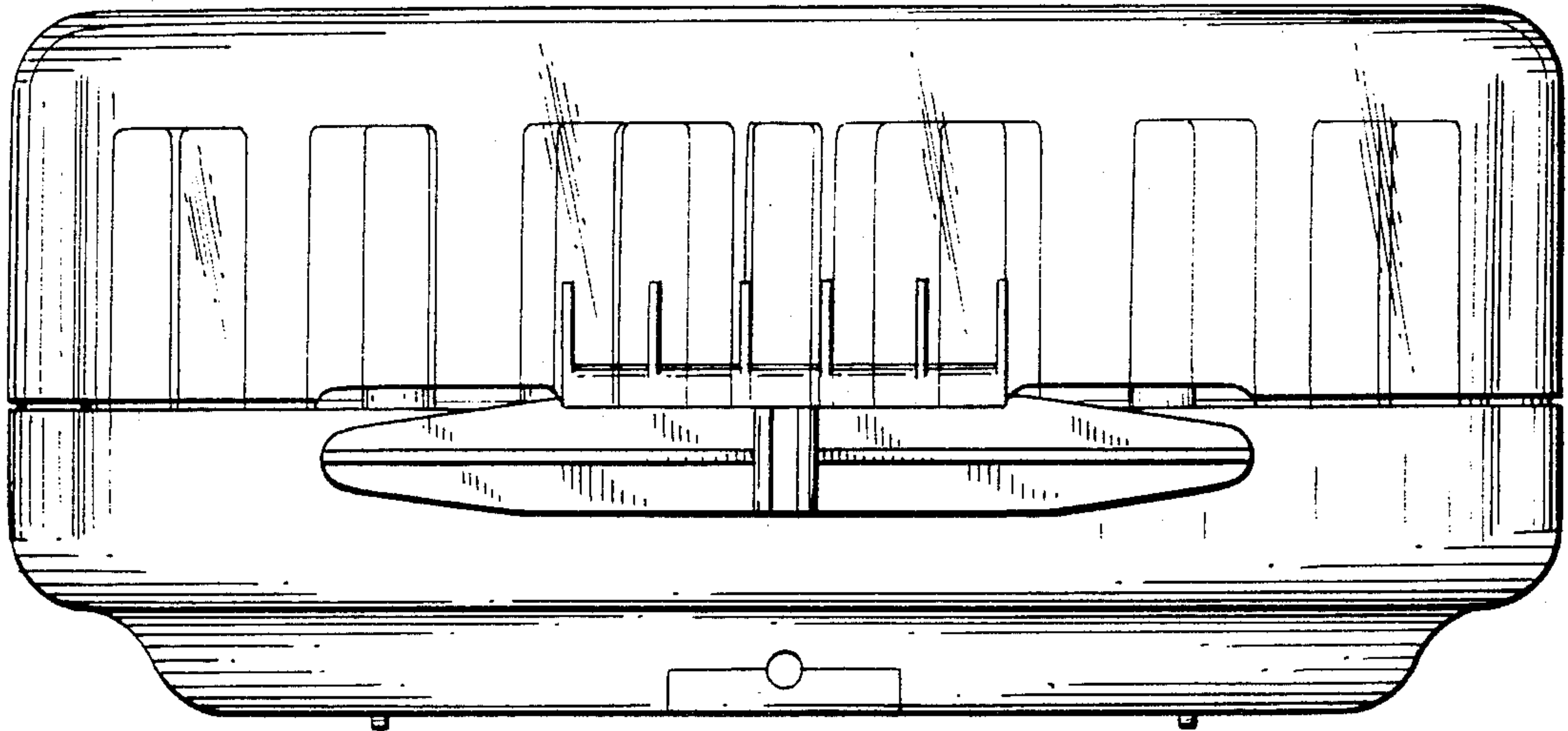


FIG. 6

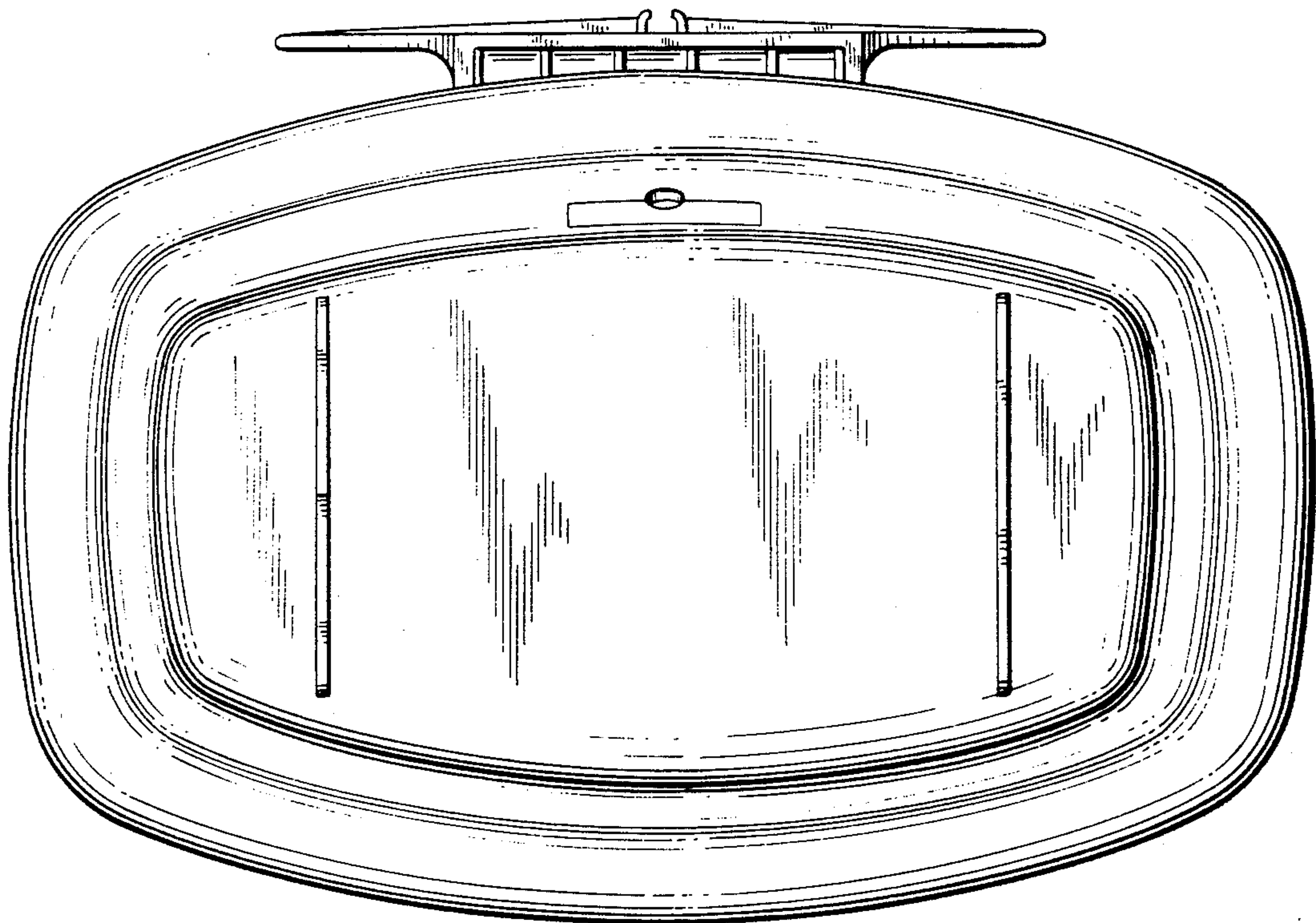


FIG. 7

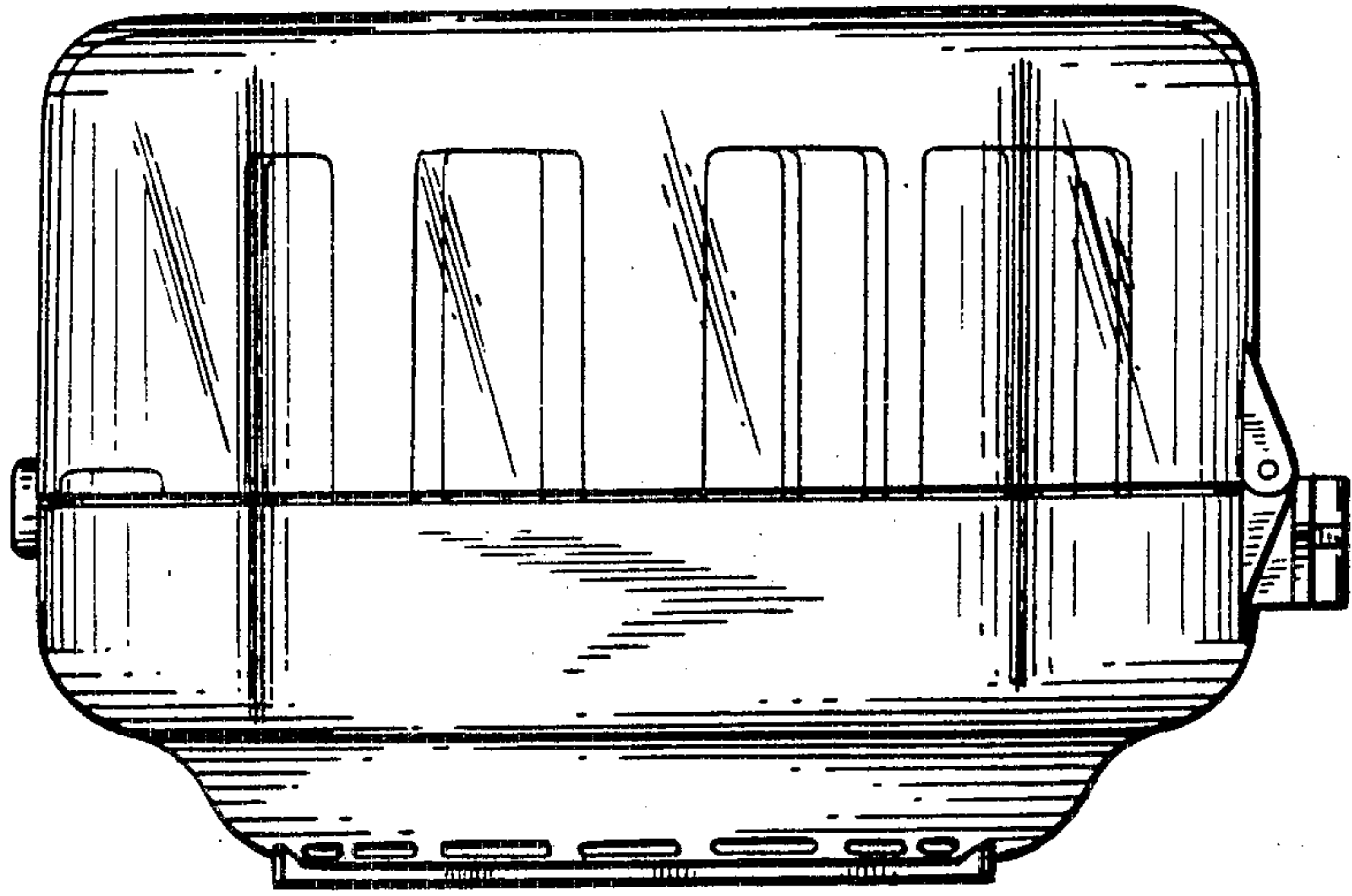


FIG. 8

