

[54] FOG LIGHT

D. 276,849 12/1984 Bailly ..... D26/29

[75] Inventor: Hisao Yabata, Gunma, Japan

Primary Examiner—Susan J. Lucas  
Attorney, Agent, or Firm—Lowe, Price, LeBlanc,  
Becker & Shur

[73] Assignee: Ichikawa Press Industry Co, Ltd.,  
Japan

[\*\*] Term: 14 Years

[57] CLAIM

The ornamental design for a fog light, as shown and described.

[21] Appl. No.: 631,900

[22] Filed: Jul. 18, 1984

DESCRIPTION

[52] U.S. Cl. .... D26/29

FIG. 1 is a front perspective view of a fog light showing my new design;

[58] Field of Search ..... D26/28-36,  
D26/118-124; 362/61, 80, 81, 82, 83, 309, 326,  
329-340, 418, 419, 427, 269, 275

FIG. 2 is a rear perspective view thereof;

FIG. 3 is a side elevational view thereof;

FIG. 4 is a front elevational view thereof;

FIG. 5 is a rear elevational view thereof;

FIG. 6 is a top plan view thereof;

FIG. 7 is a bottom plan view thereof; and

FIG. 8 is an elevational view thereof of the side opposite that shown in FIG. 3.

[56] References Cited

U.S. PATENT DOCUMENTS

- D. 256,057 7/1980 Ichikawa ..... D26/29
- D. 266,956 11/1982 Kritz et al. .... D26/28
- D. 271,426 11/1983 Yabata ..... D26/29

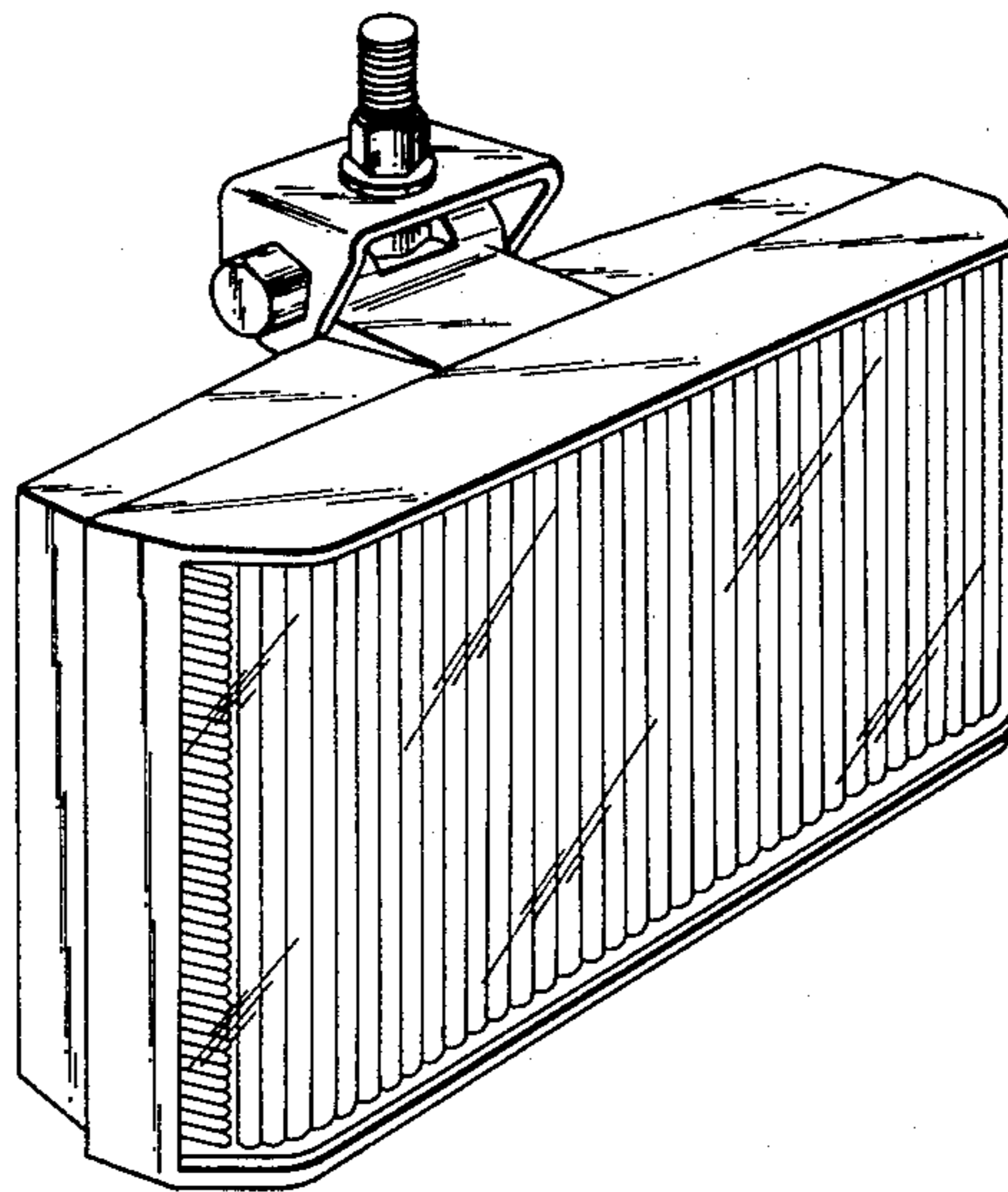


FIG. 1

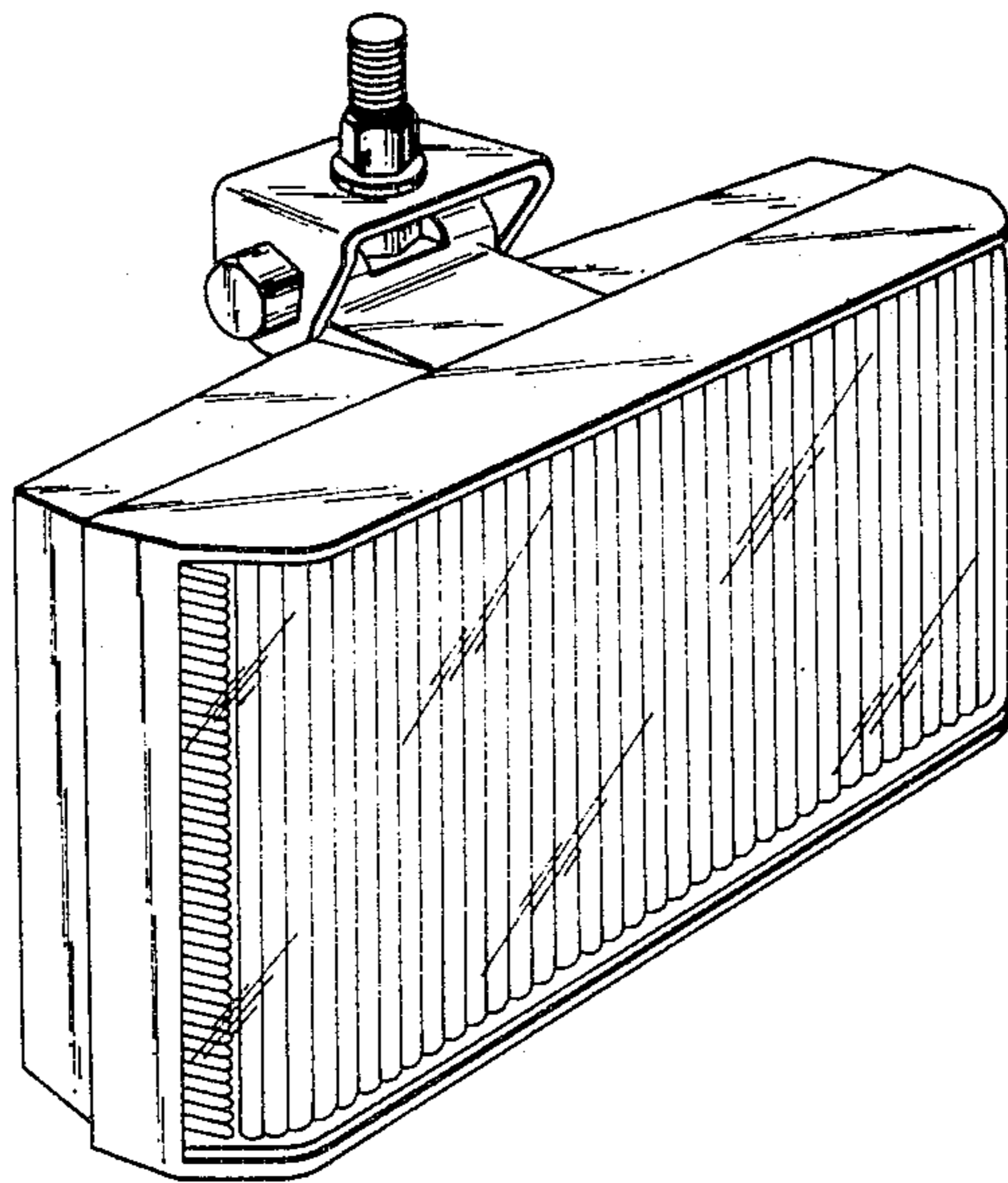


FIG. 2

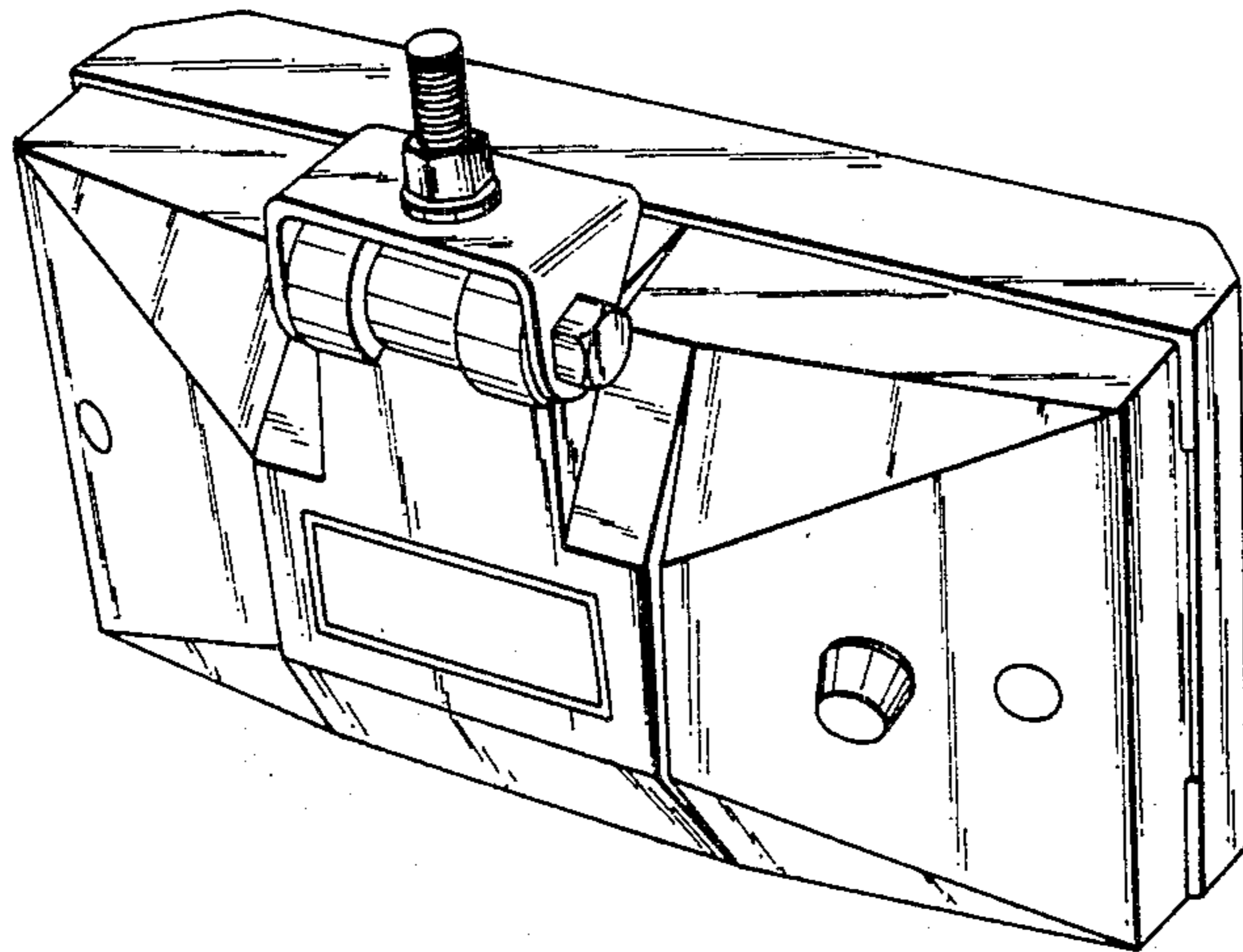
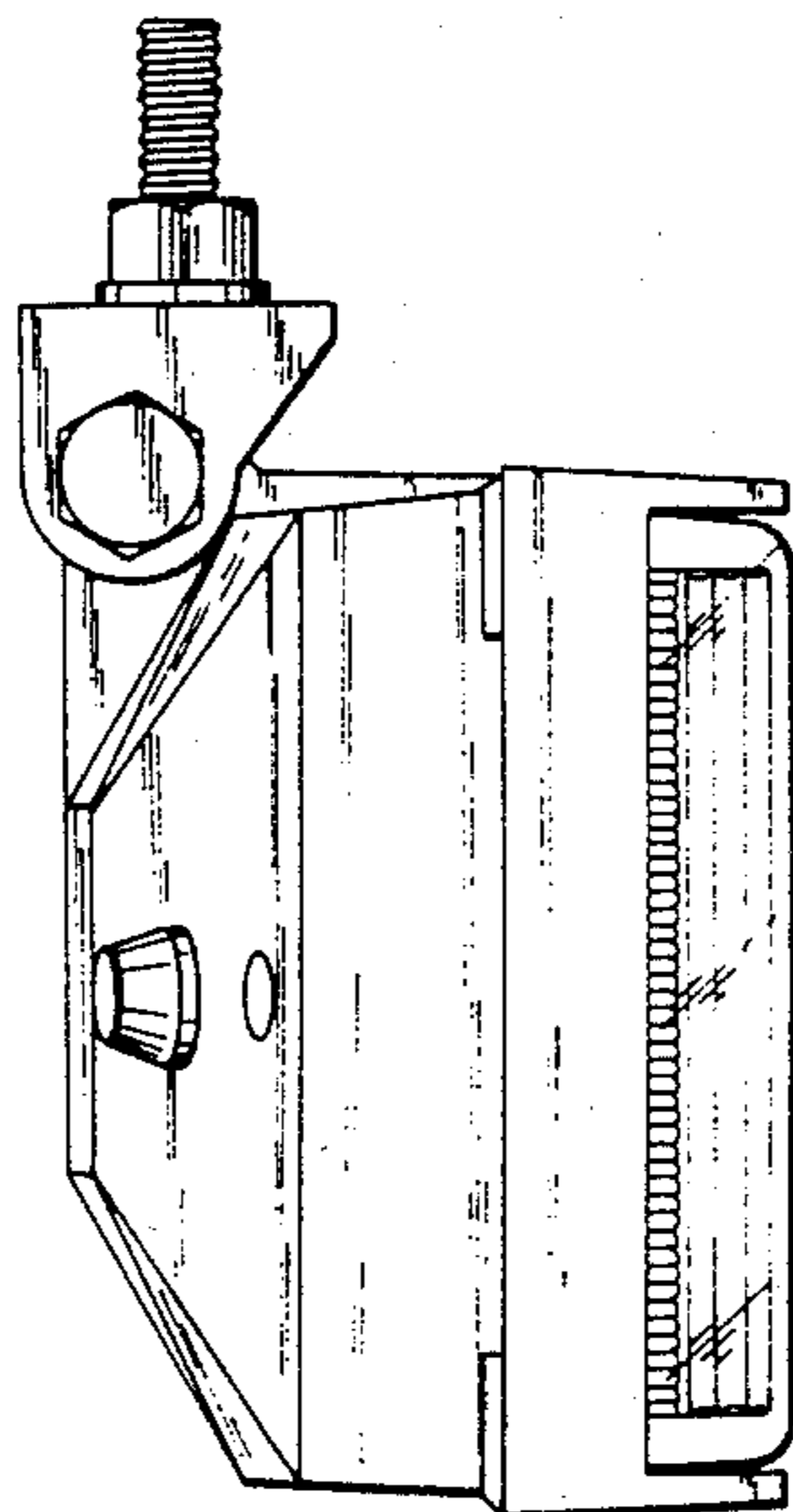


FIG. 3



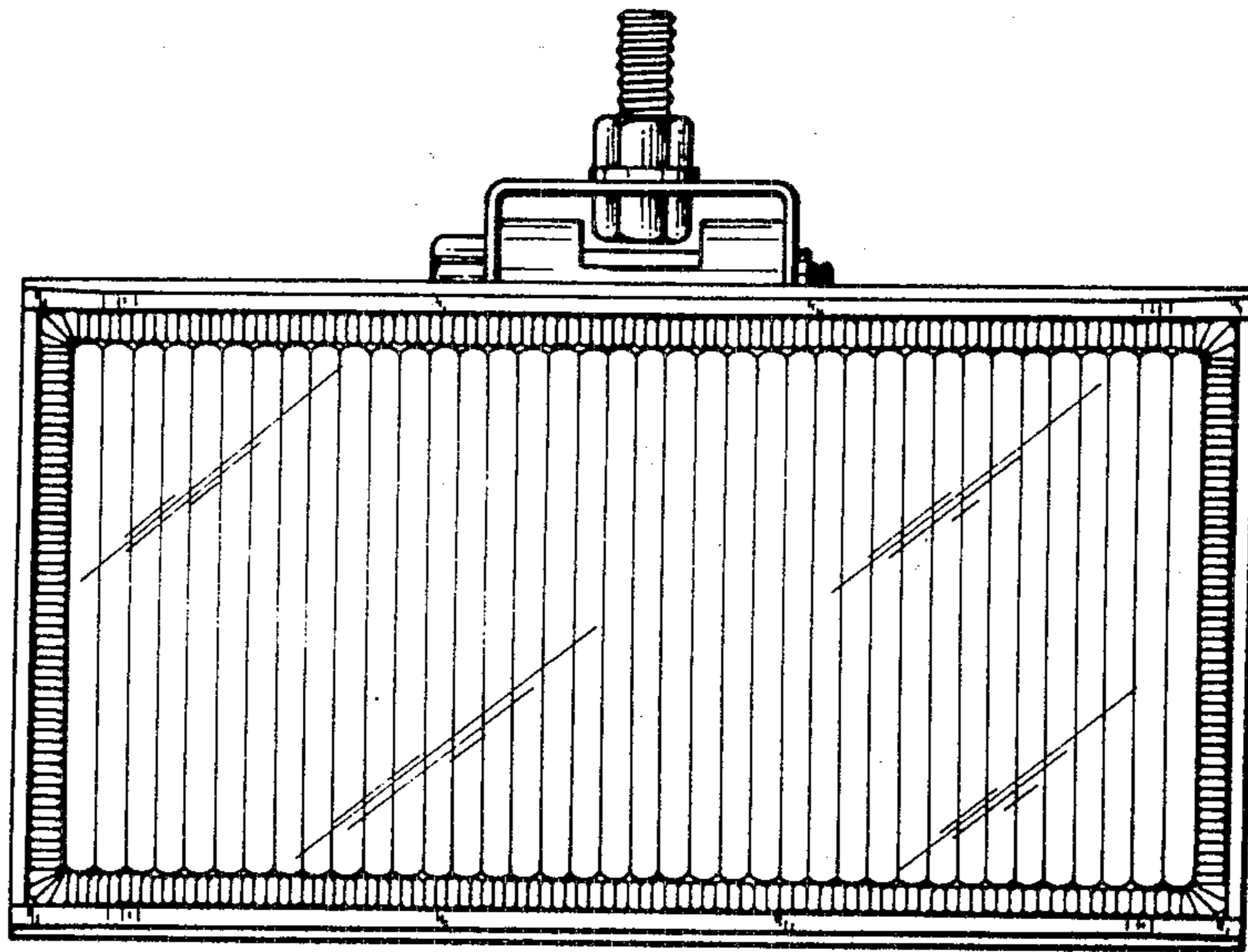


FIG. 4

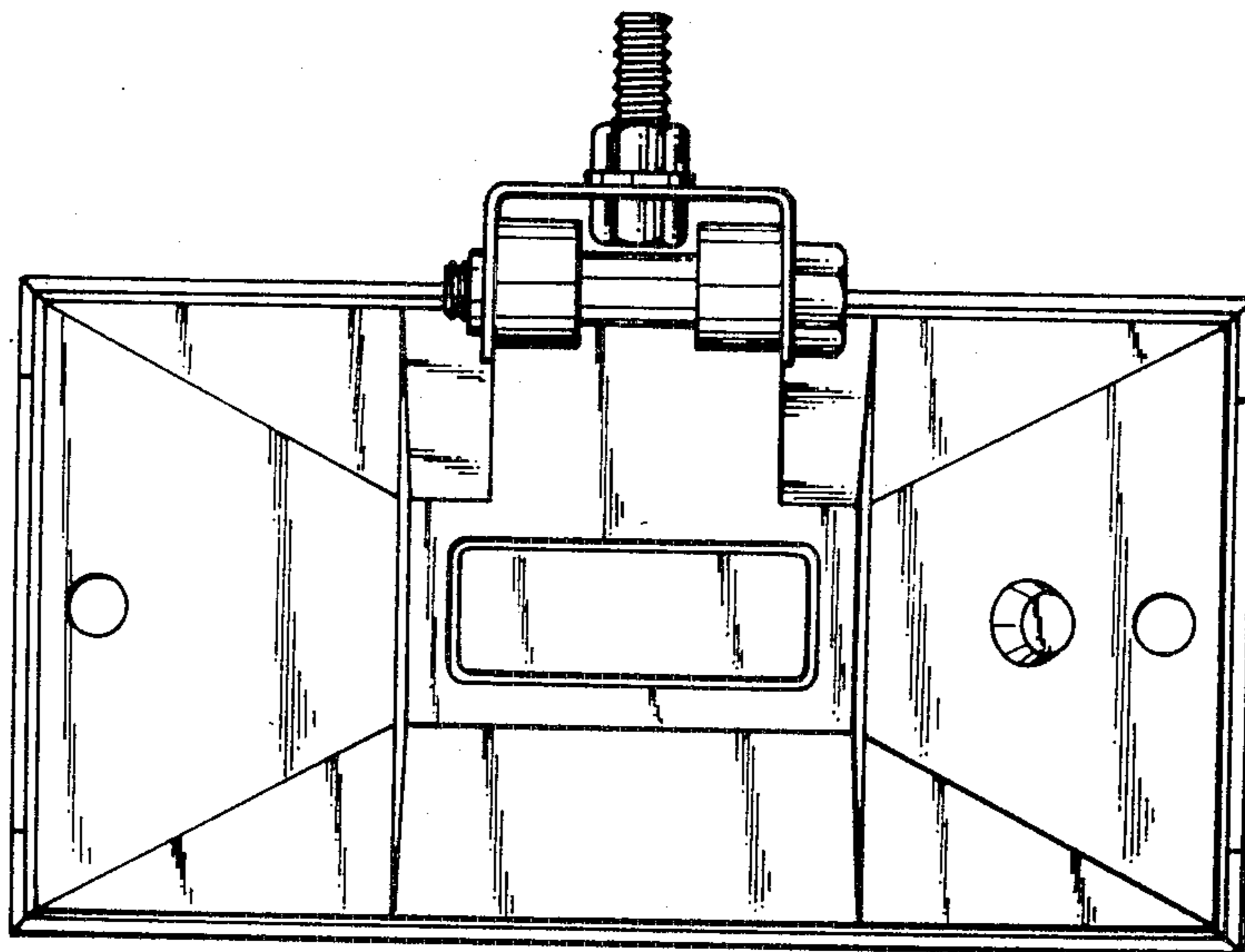


FIG. 5

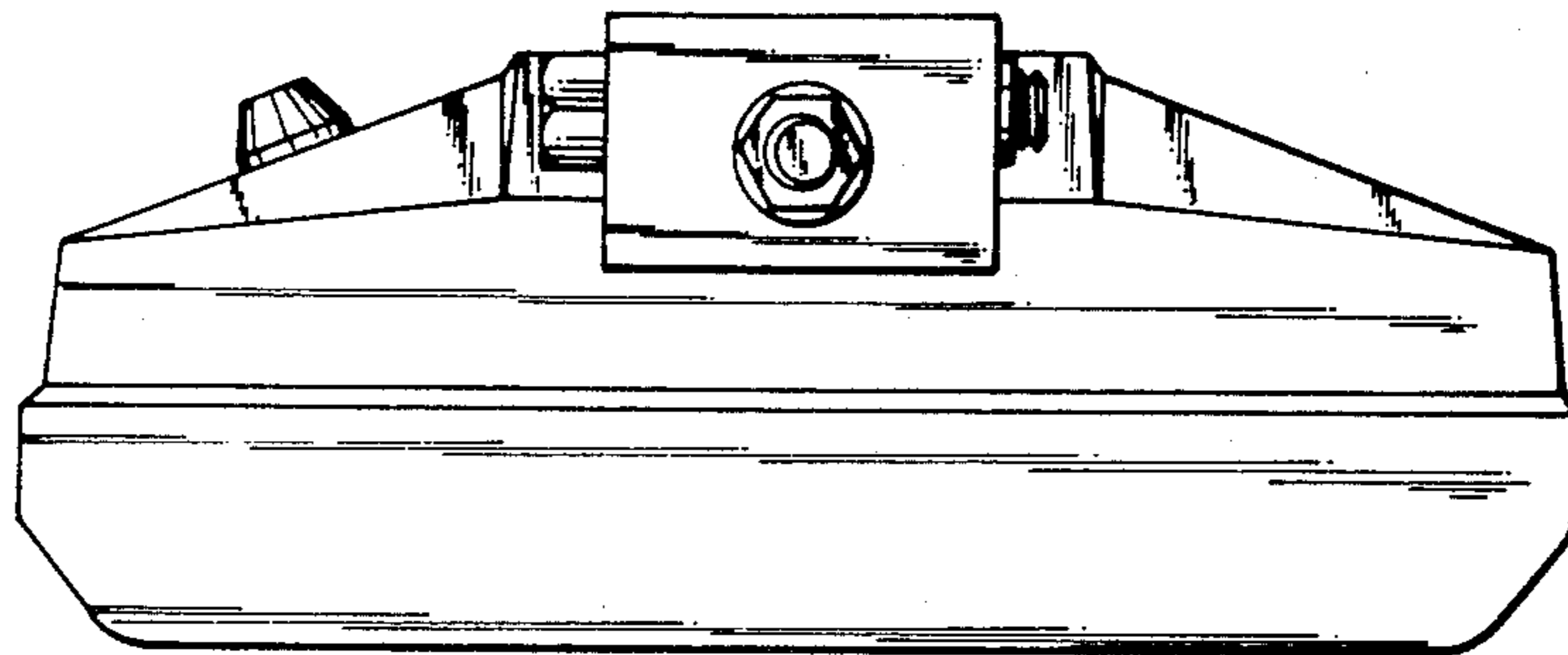


FIG. 6

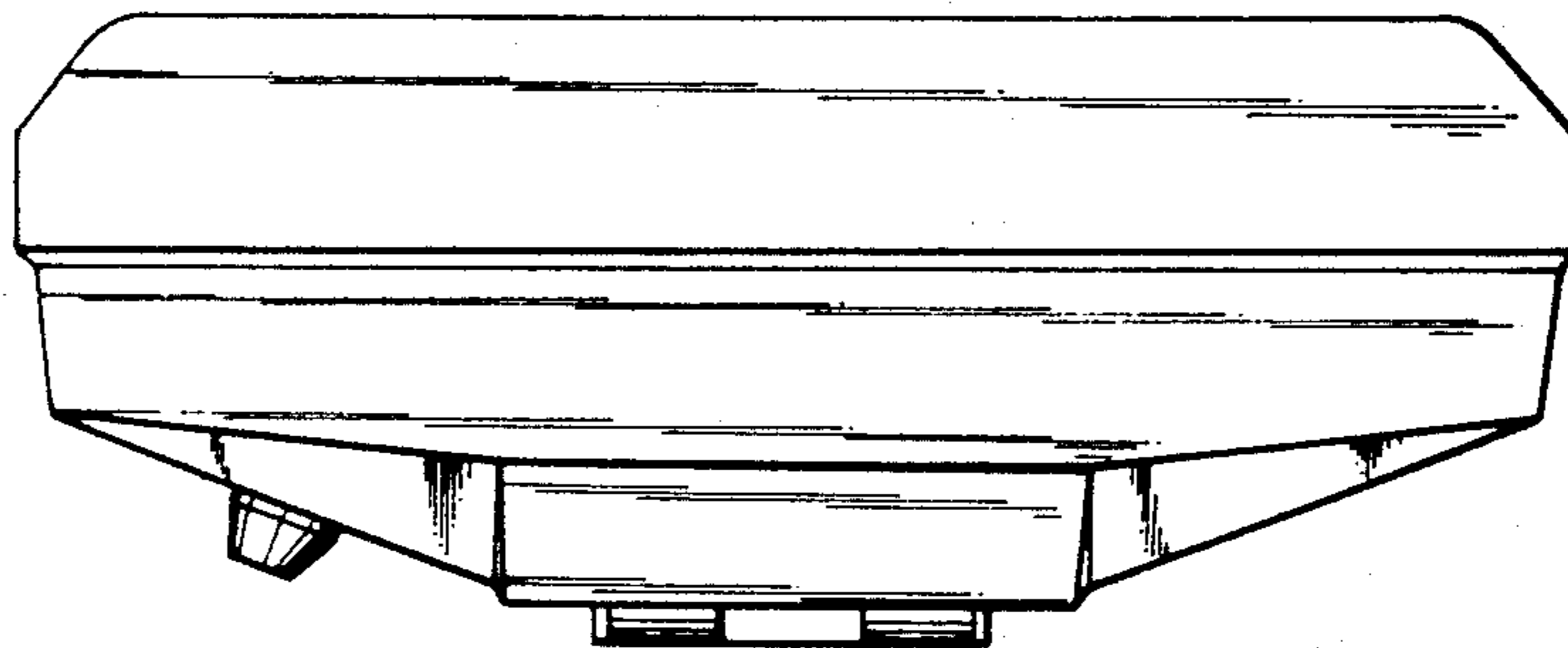


FIG. 7

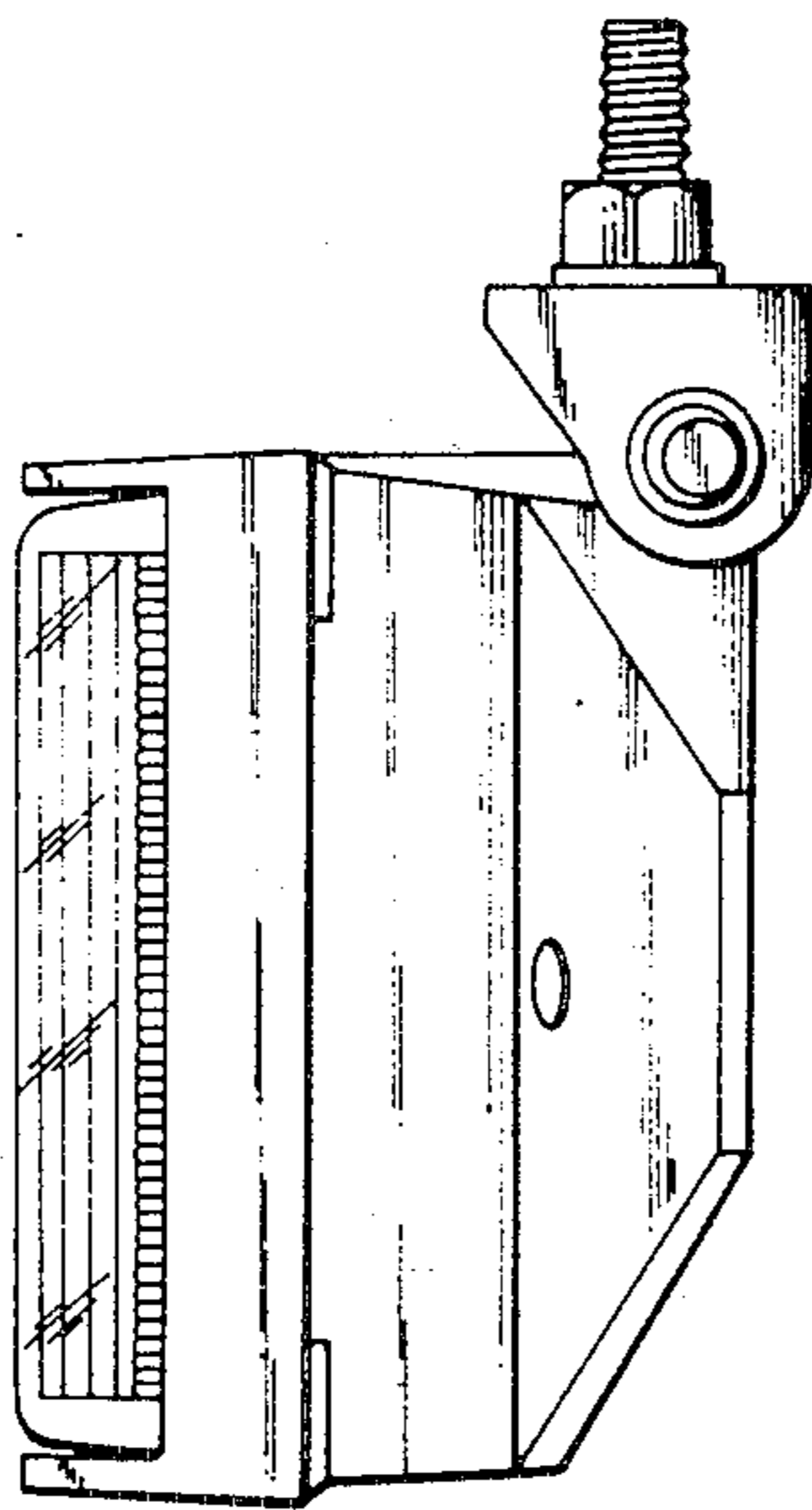


FIG. 8