

[54] EMERGENCY NECK IMMOBILIZER

[76] Inventor: William Nesbitt, 6967 Blue Oak La., Loomis, Calif. 95650

[**] Term: 14 Years

[21] Appl. No.: 579,501

[22] Filed: Feb. 13, 1984

[52] U.S. Cl. D24/64

[58] Field of Search D24/64; 128/87 R, 87 B, 128/76 R, 132 R, 133 R, 134

[56] References Cited

U.S. PATENT DOCUMENTS

D. 239,981	5/1976	Arluck	D24/64
D. 242,955	1/1977	Arluck	D24/64
3,397,688	8/1968	Gottfried	D24/49 X
3,620,211	11/1971	Goodell	128/78 X
4,211,218	7/1980	Kendrick	128/87 R
4,299,209	11/1981	Behrens et al.	128/87 B

Primary Examiner—A. Hugo Word
Assistant Examiner—Stella M. Reid
Attorney, Agent, or Firm—Mark C. Jacobs

[57] CLAIM

The ornamental design for an emergency neck immobilizer, substantially as shown and described.

DESCRIPTION

FIG. 1 is a front elevational view of an emergency neck immobilizer showing my new design.

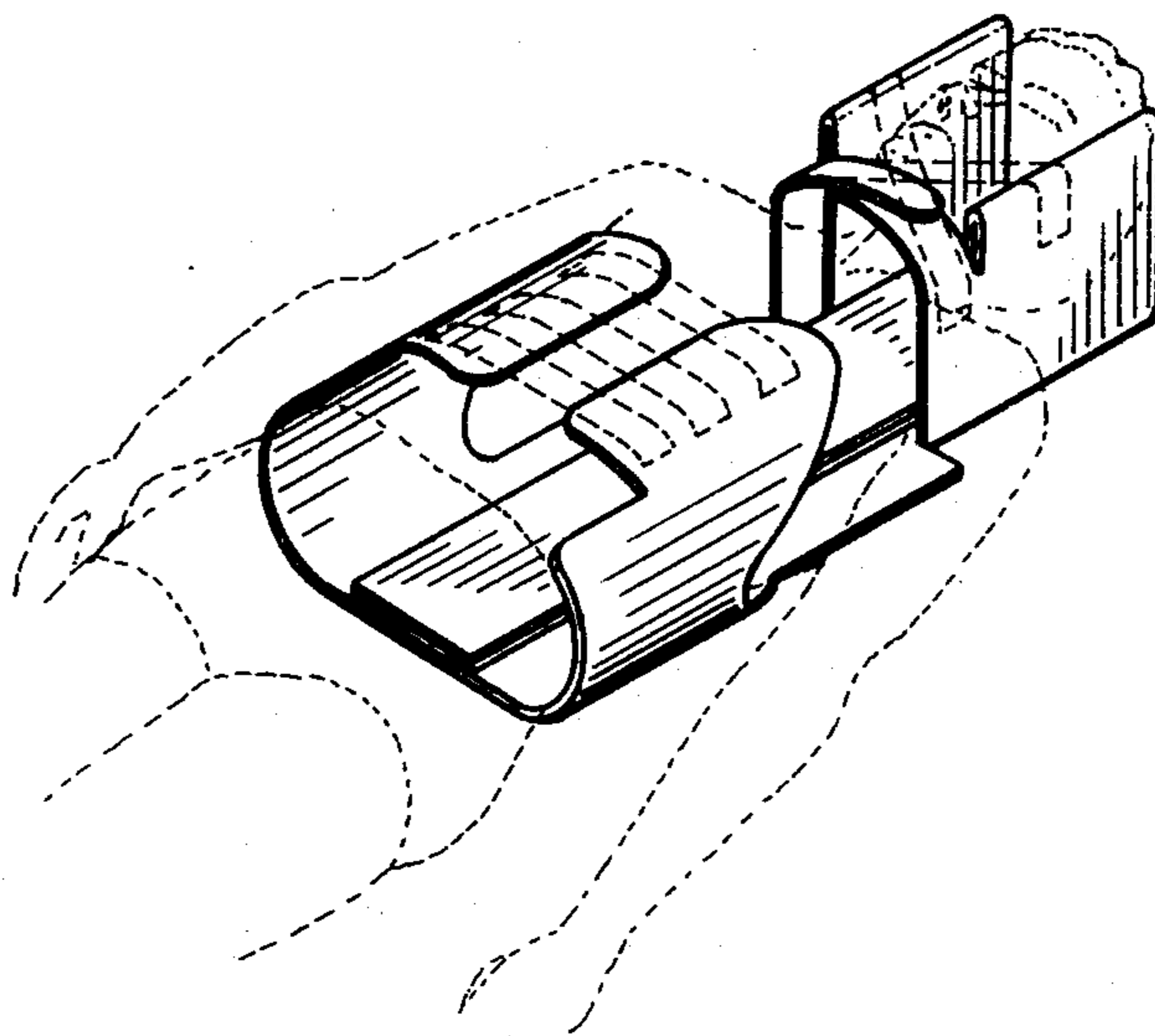
FIG. 2 is right side elevational view thereof, the left side being a mirror image.

FIG. 3 is a top plan view thereof.

FIG. 4 is a rear elevational view thereof.

FIG. 5 is a bottom plan view thereof.

FIG. 6 is a perspective view thereof illustrating the use of the instant device to immobilize a human being. The dotted line indicia on the device forms no part of the design.



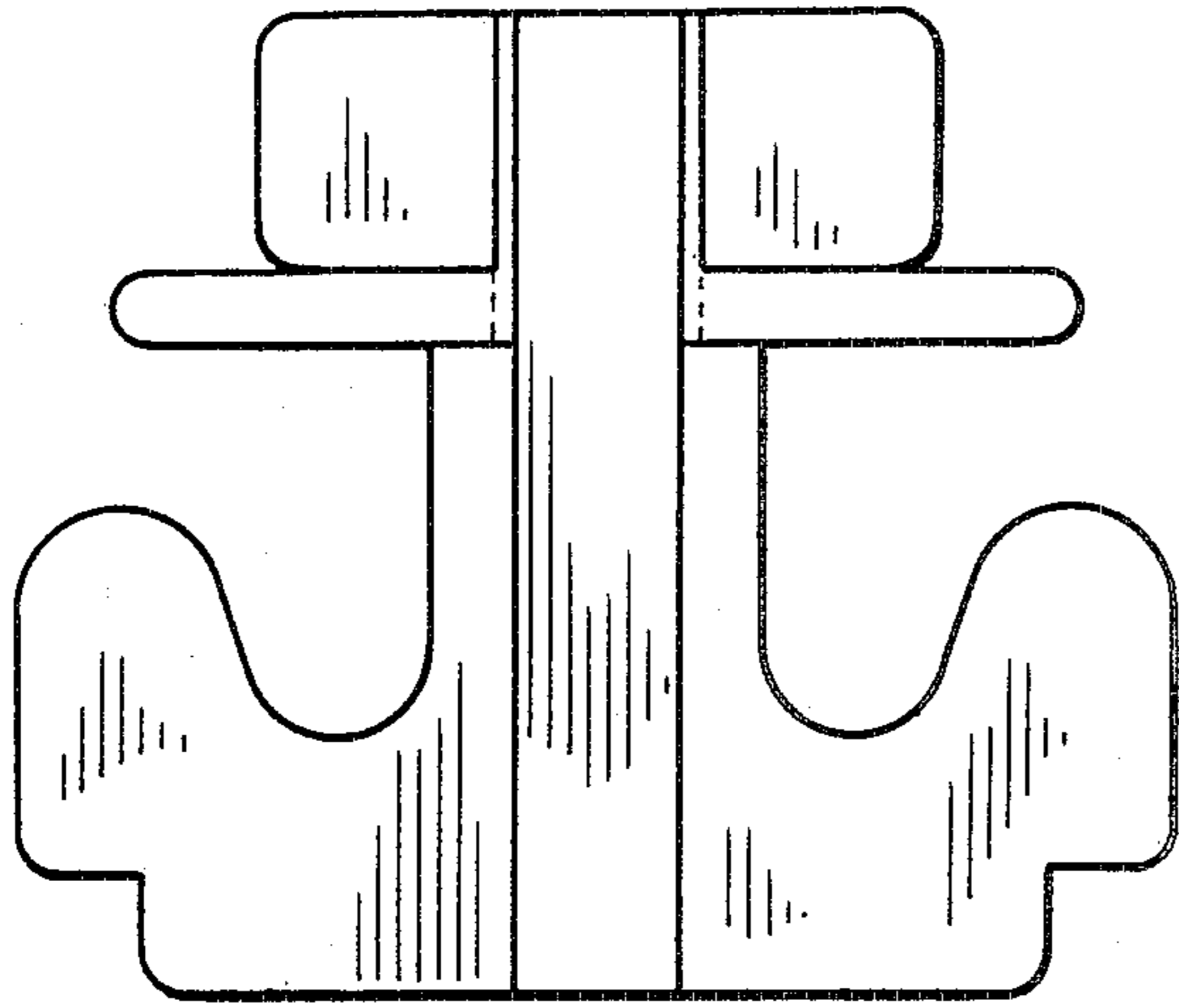


FIG. 1



FIG. 2

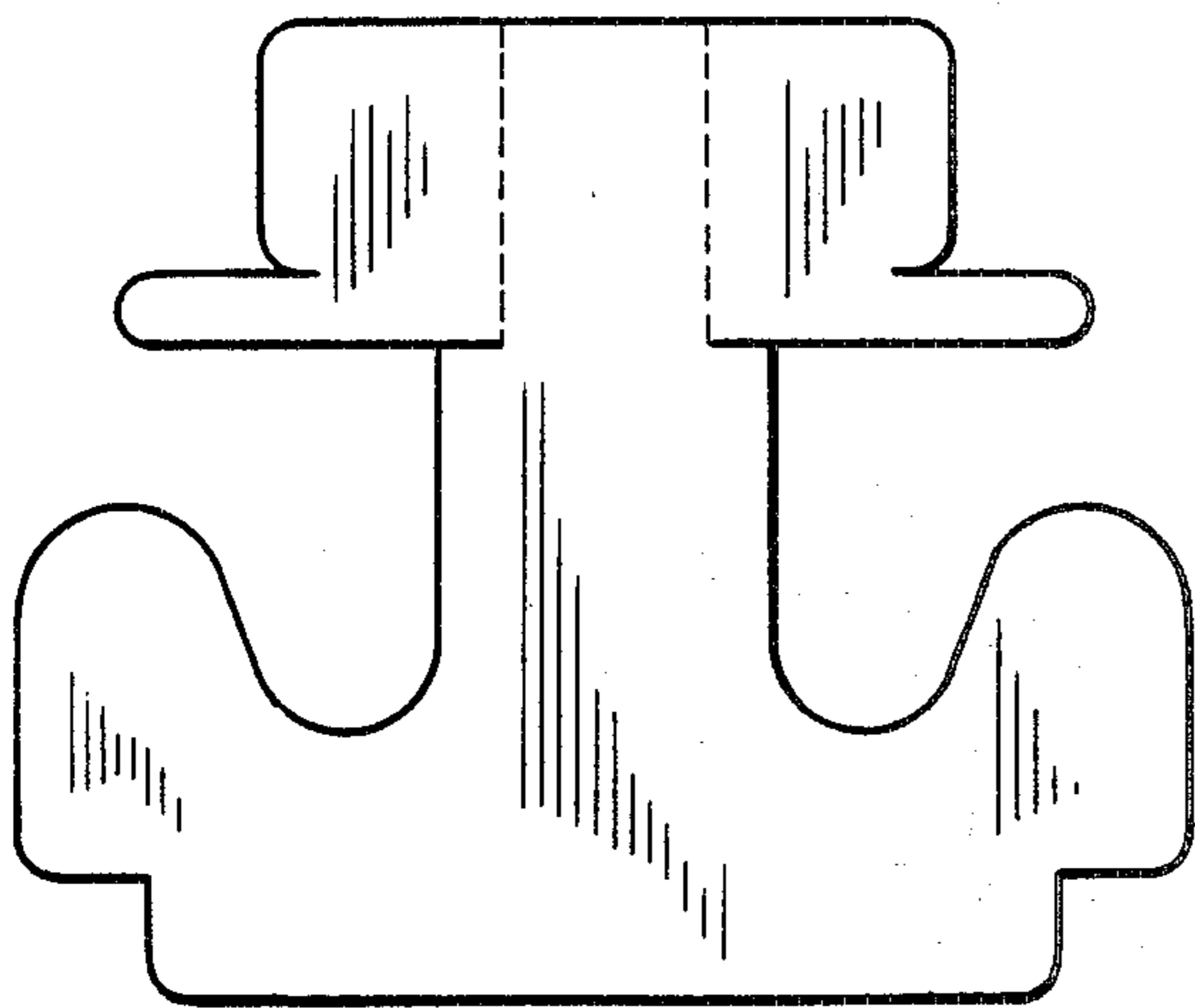


FIG. 4



FIG. 3

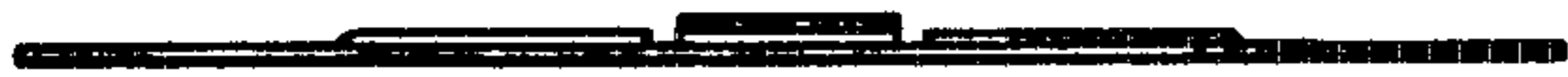


FIG. 5

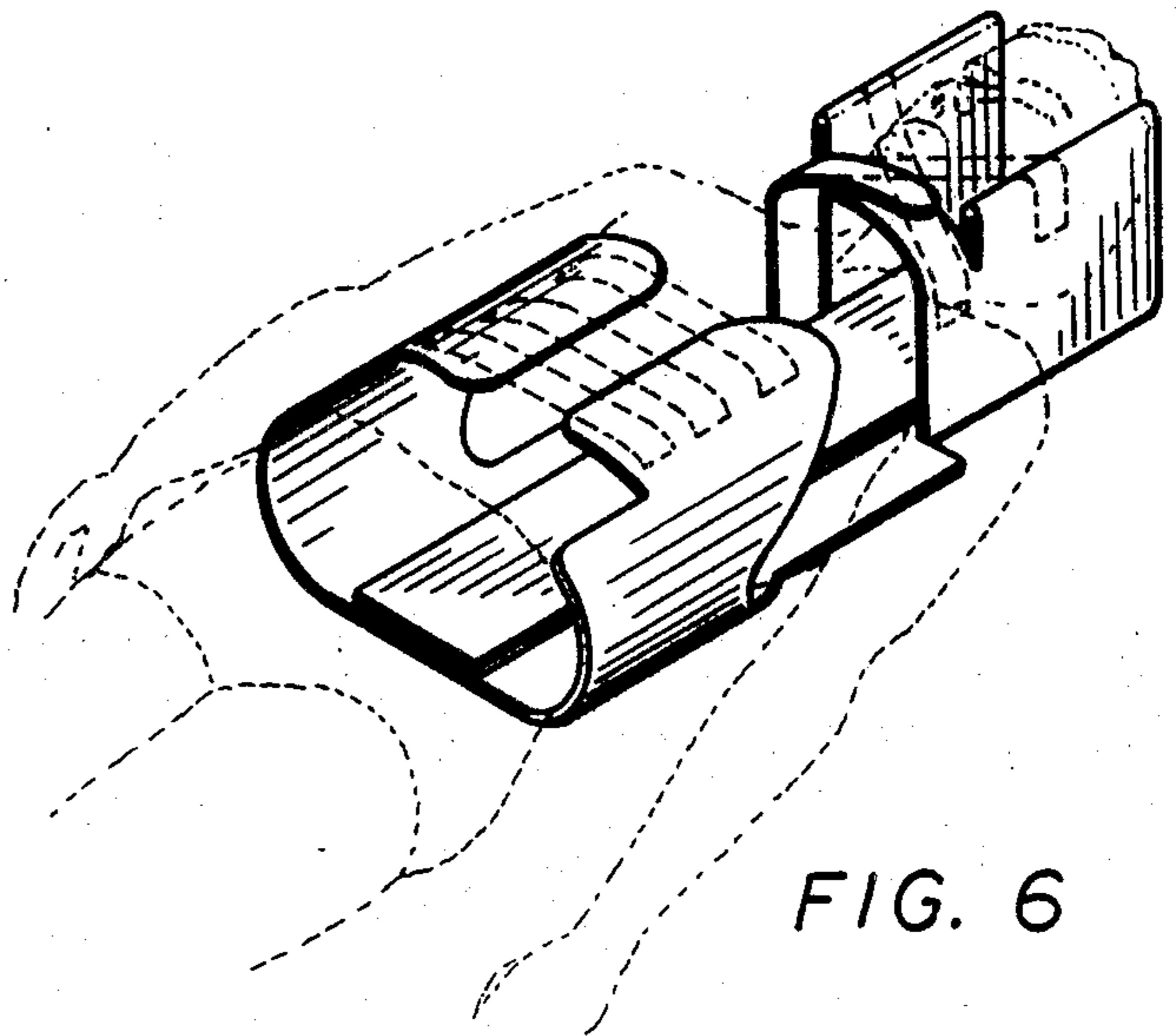


FIG. 6