

[54] **BATH TUB**

[75] **Inventor: Barry Rousseau, Cornwall, Canada**

[73] **Assignee: Almico Ltd., Cornwall, Canada**

[**] **Term: 14 Years**

[21] **Appl. No.: 612,135**

[22] **Filed: May 21, 1984**

[30] **Foreign Application Priority Data**

Nov. 25, 1983 [CA] Canada 25-11-83-3

[52] **U.S. Cl. D23/55**

[58] **Field of Search D23/48, 55, 56; D24/38; 4/538, 541-543, 576, 575, 584, 589**

[56] **References Cited**

U.S. PATENT DOCUMENTS

D. 233,756 11/1974 Schrock D23/55

OTHER PUBLICATIONS

1981 Sweet's catalog file, Waterjet brochure, sec. 15.7/wat, p. 4, "The Plaza" Whirlpool Bath Tub, top of page.

Primary Examiner—James M. Gandy
Attorney, Agent, or Firm—John A. Baker

[57] **CLAIM**

The ornamental design for a bath tub, as shown and described.

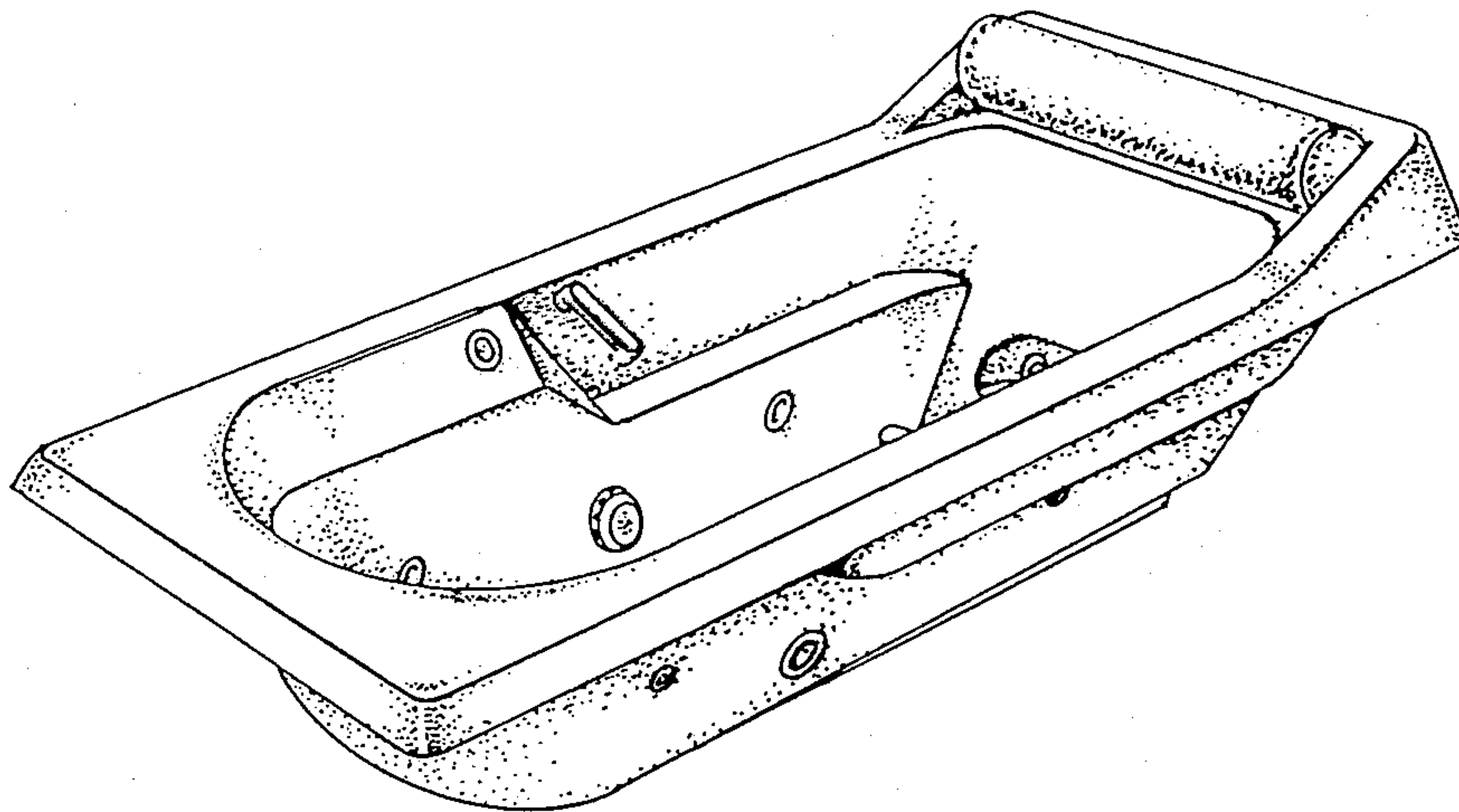
DESCRIPTION

FIG. 1 is a perspective view of a bath tub showing my new design;

FIG. 2 is a top plan view thereof;

FIG. 3 is a right side elevation view thereof, the left being substantially a mirror image of that shown; and

FIGS. 4 and 5 are right and left end elevation views thereof, respectively.



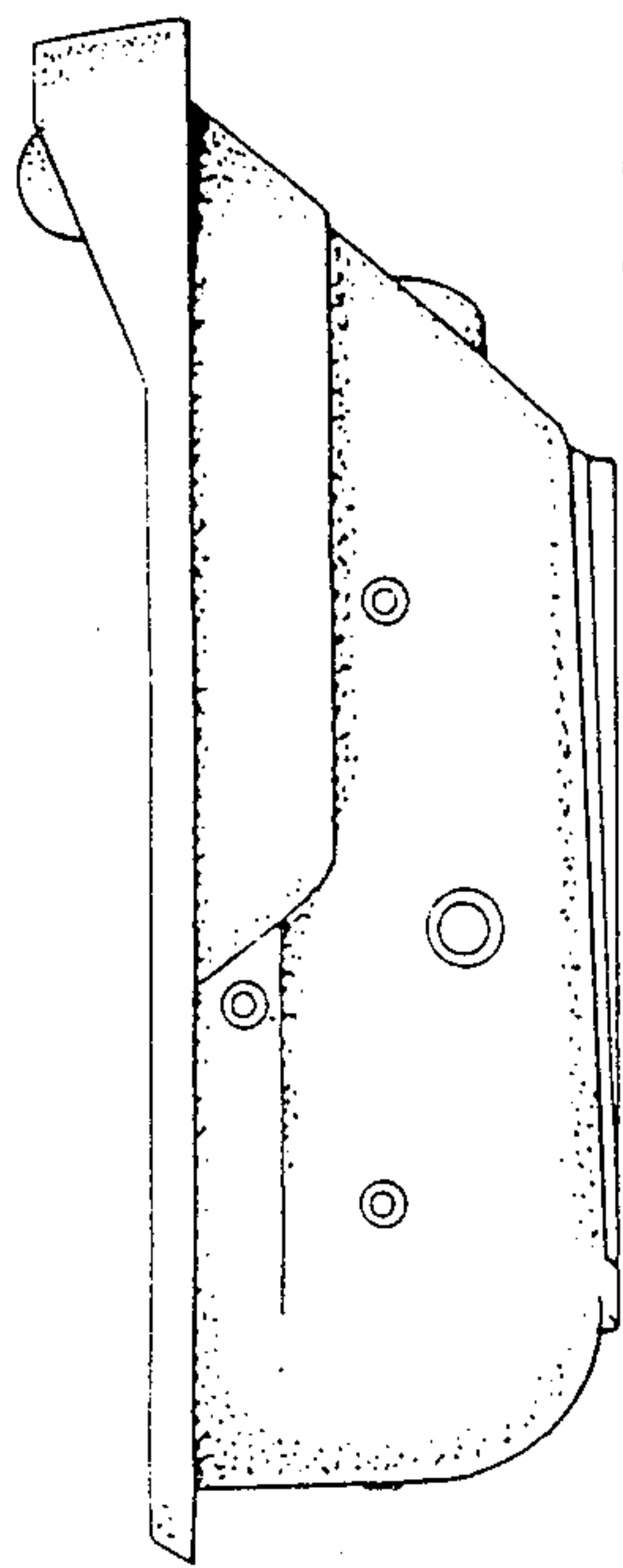


FIG. 3

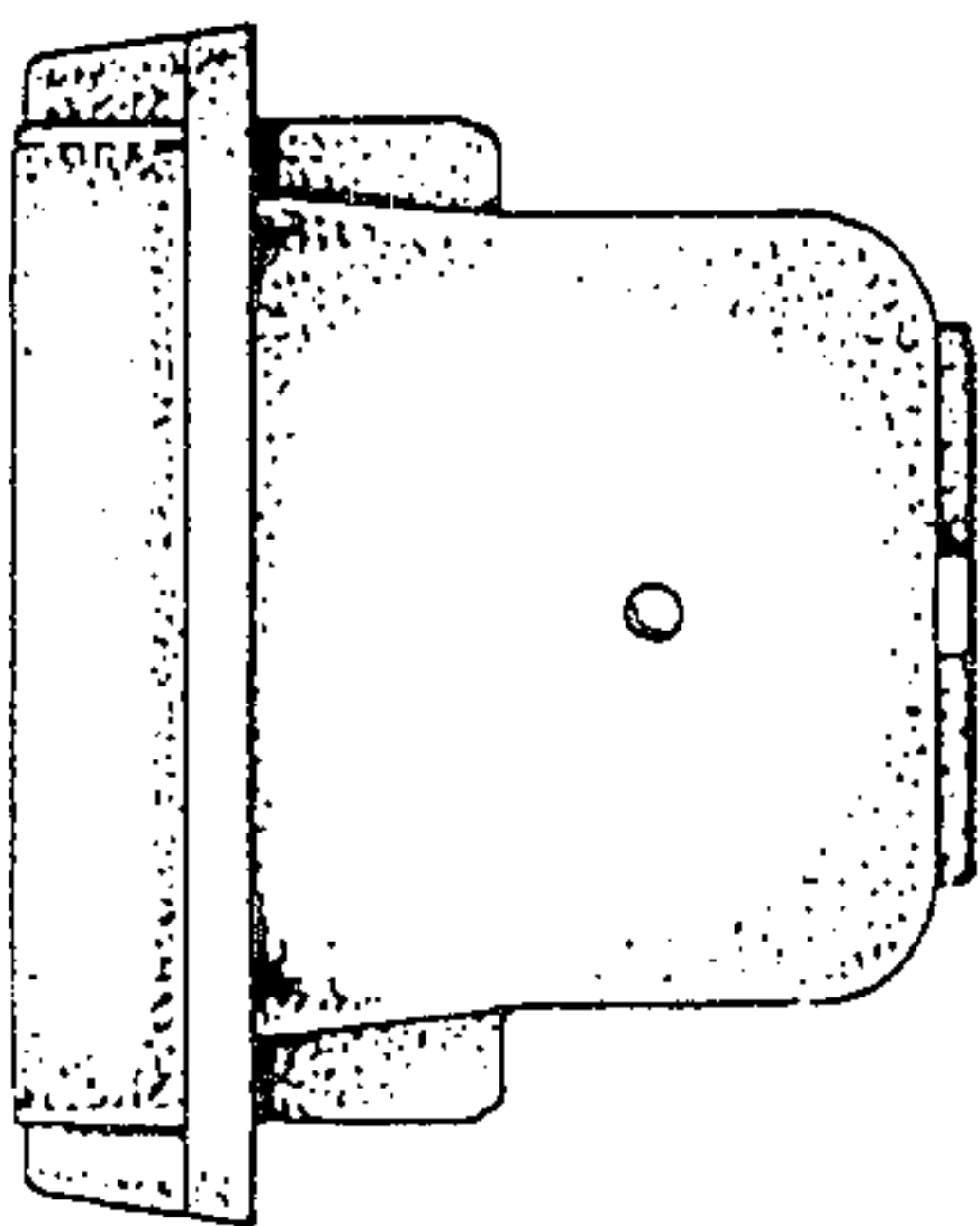


FIG. 4

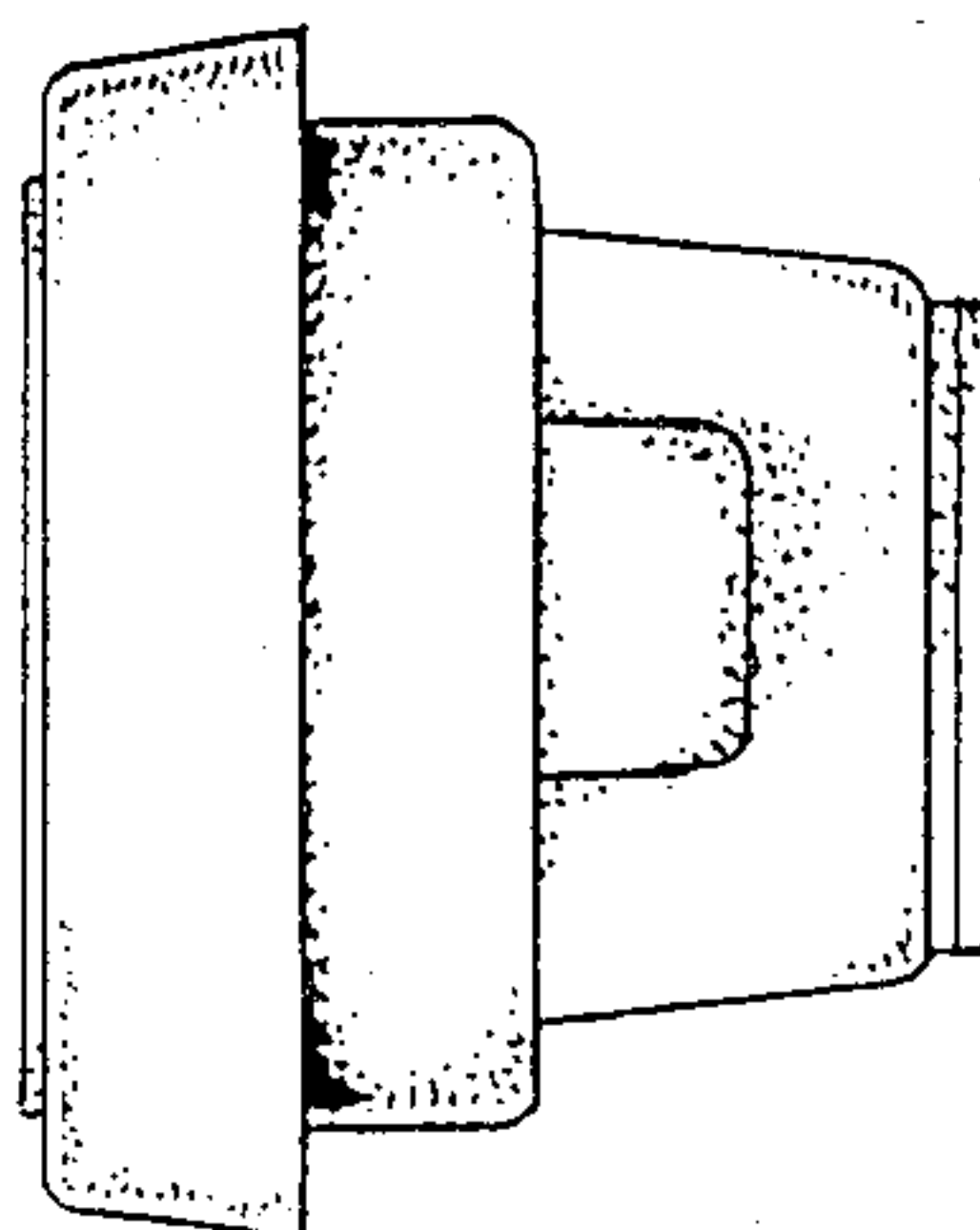


FIG. 5

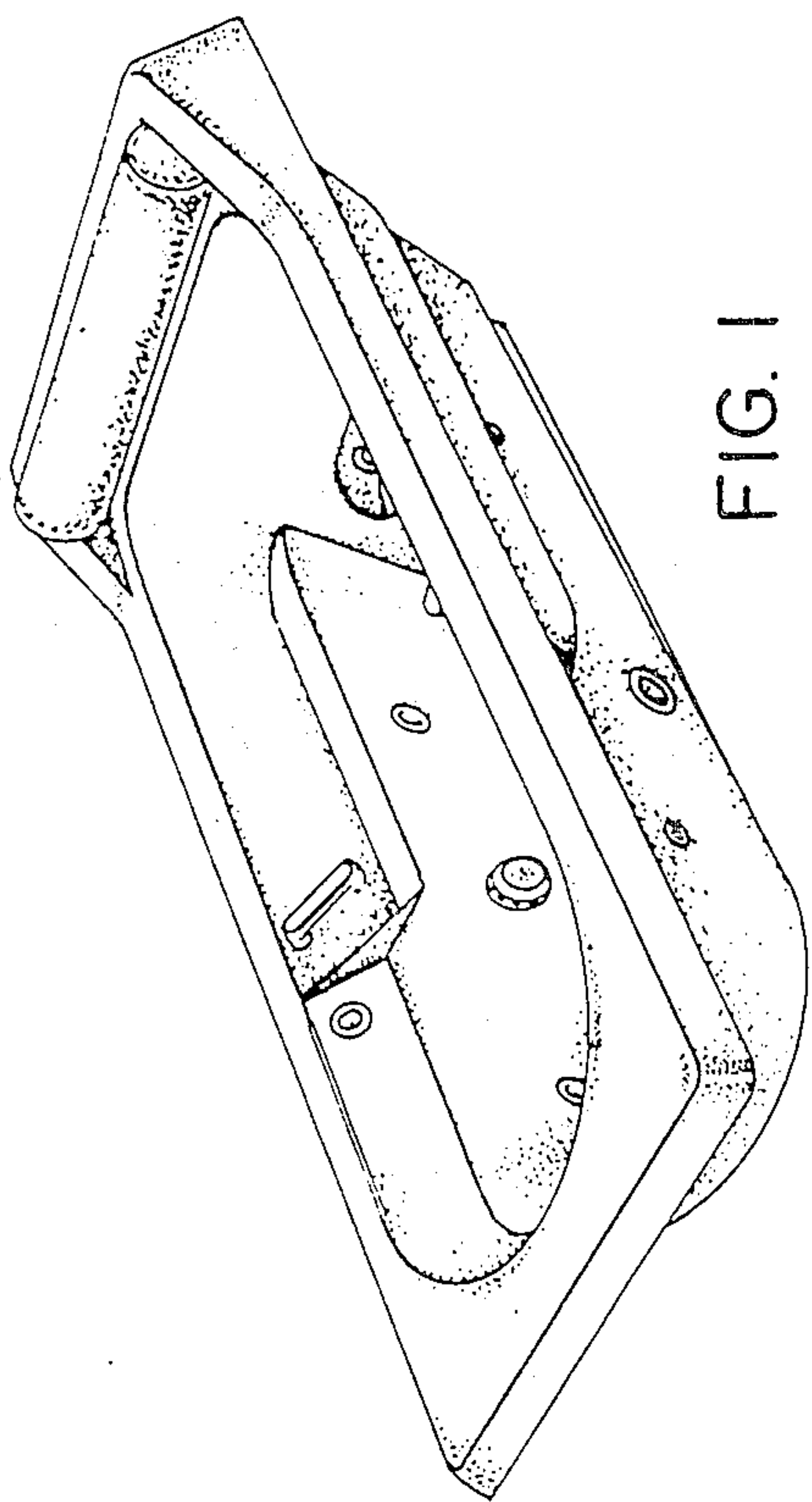


FIG. 1

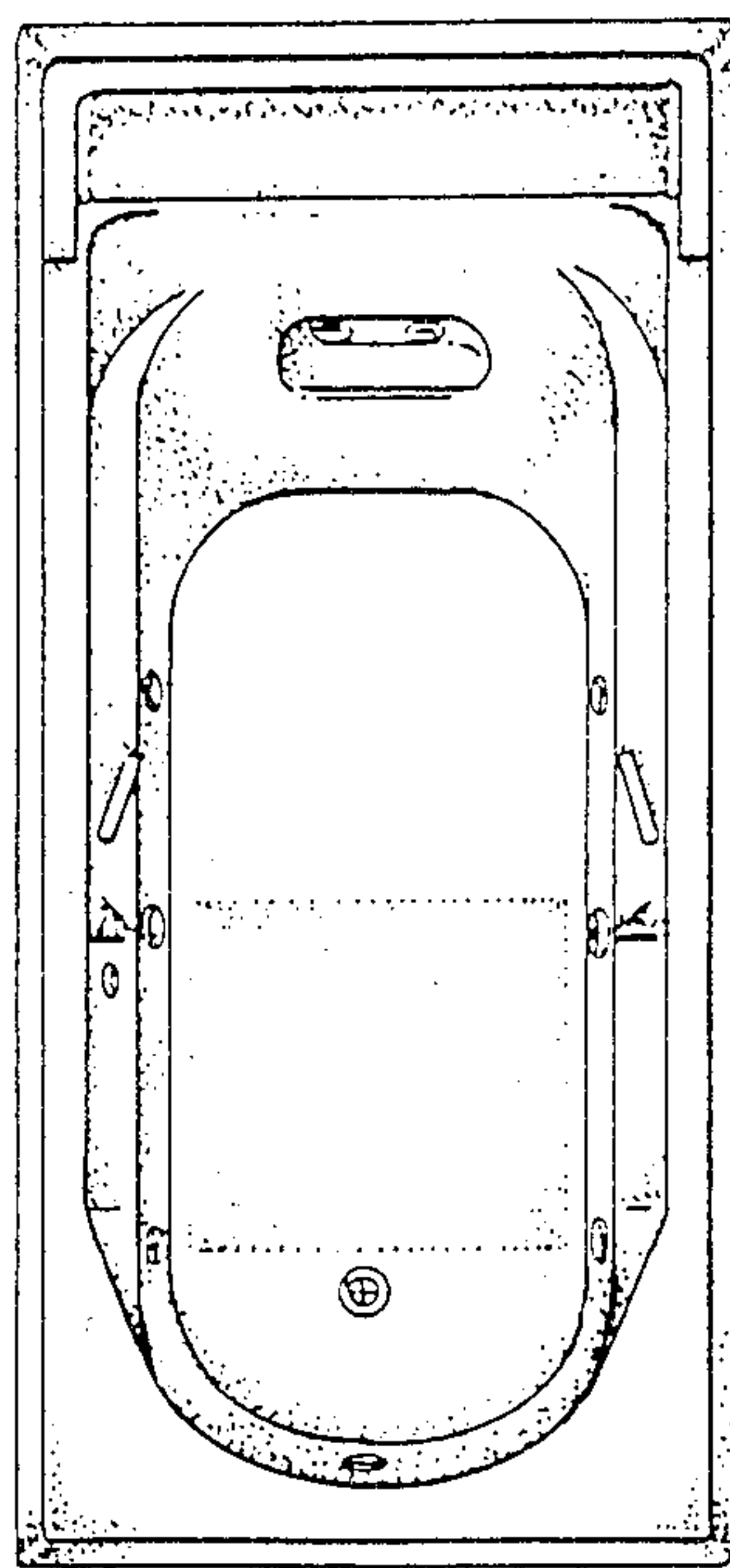


FIG. 2