

[54] FAUCET

[75] Inventor: Richard J. Paul, Los Angeles, Calif.

[73] Assignee: Paul Associates, Inc., Long Island City, N.Y.

[\*\*] Term: 14 Years

[21] Appl. No.: 664,200

[22] Filed: Oct. 24, 1984

[52] U.S. Cl. .... D23/23

[58] Field of Search ..... D23/23-32;  
4/191, 192, 591; 137/801

[56] References Cited

U.S. PATENT DOCUMENTS

- D. 217,670 5/1970 Rowlands ..... D23/32
- D. 237,385 10/1975 Gustafsson ..... D23/25
- D. 266,349 9/1982 Piesco ..... D23/32
- D. 266,350 9/1982 Piesco ..... D23/32

- D. 271,513 11/1983 Paul ..... D23/23
- D. 271,704 12/1983 Paul ..... D23/23
- D. 280,232 8/1985 Paul ..... D23/25
- D. 280,437 9/1985 Rademacher ..... D23/23
- 4,446,885 5/1984 Nolden ..... 4/191 X

Primary Examiner—James R. Lagen  
Attorney, Agent, or Firm—Blum Kaplan Friedman  
Silberman & Beran

[57] CLAIM

The ornamental design for a faucet, as shown and described.

DESCRIPTION

FIG. 1 is a top plan view of a faucet showing my new design;  
FIG. 2 is a left side elevational view thereof, the right side being a mirror image of the left side shown;  
FIG. 3 is a front elevational view thereof;  
FIG. 4 is a rear elevational view thereof; and  
FIG. 5 is a bottom plan view thereof.

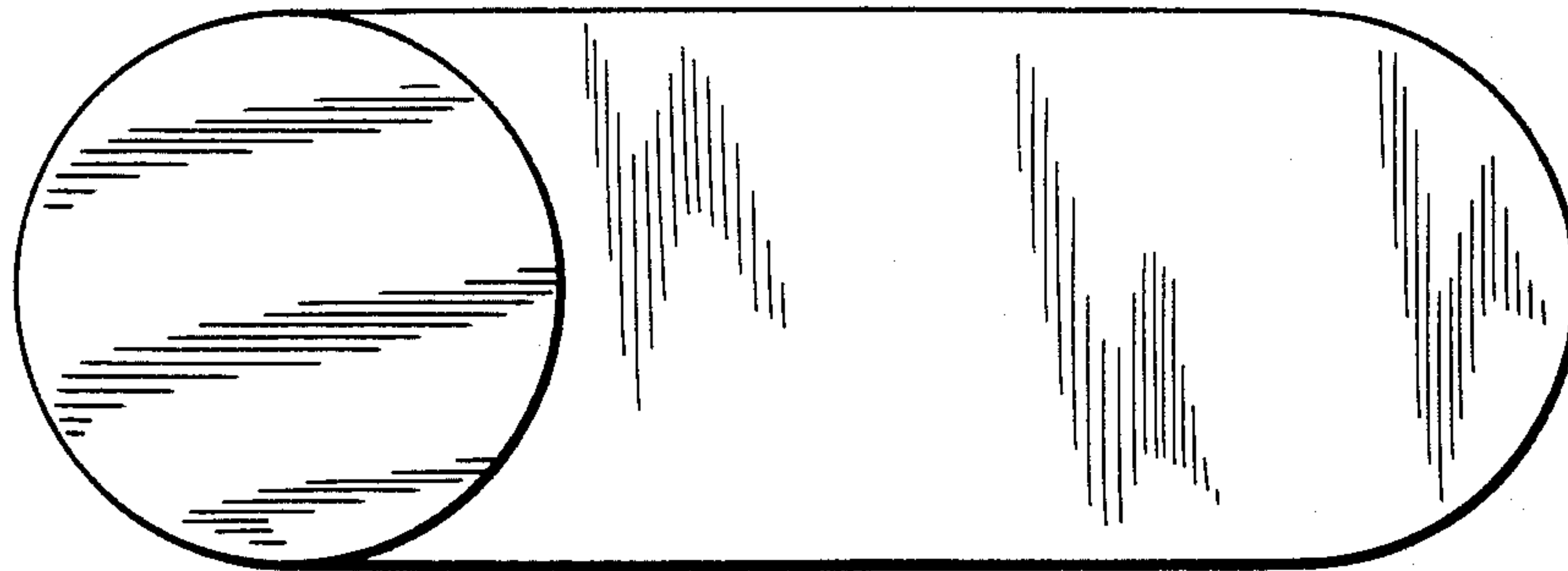


FIG. 1

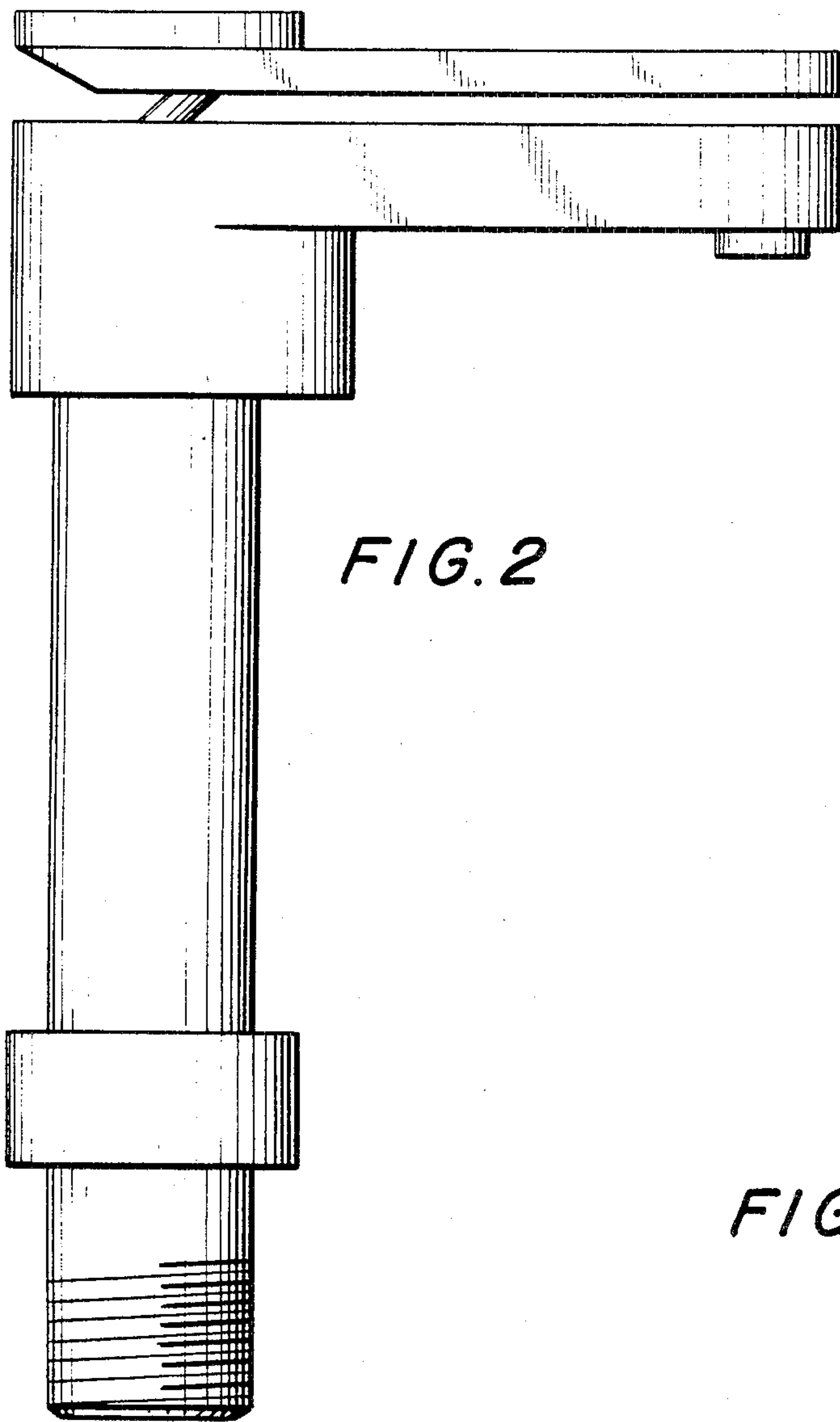
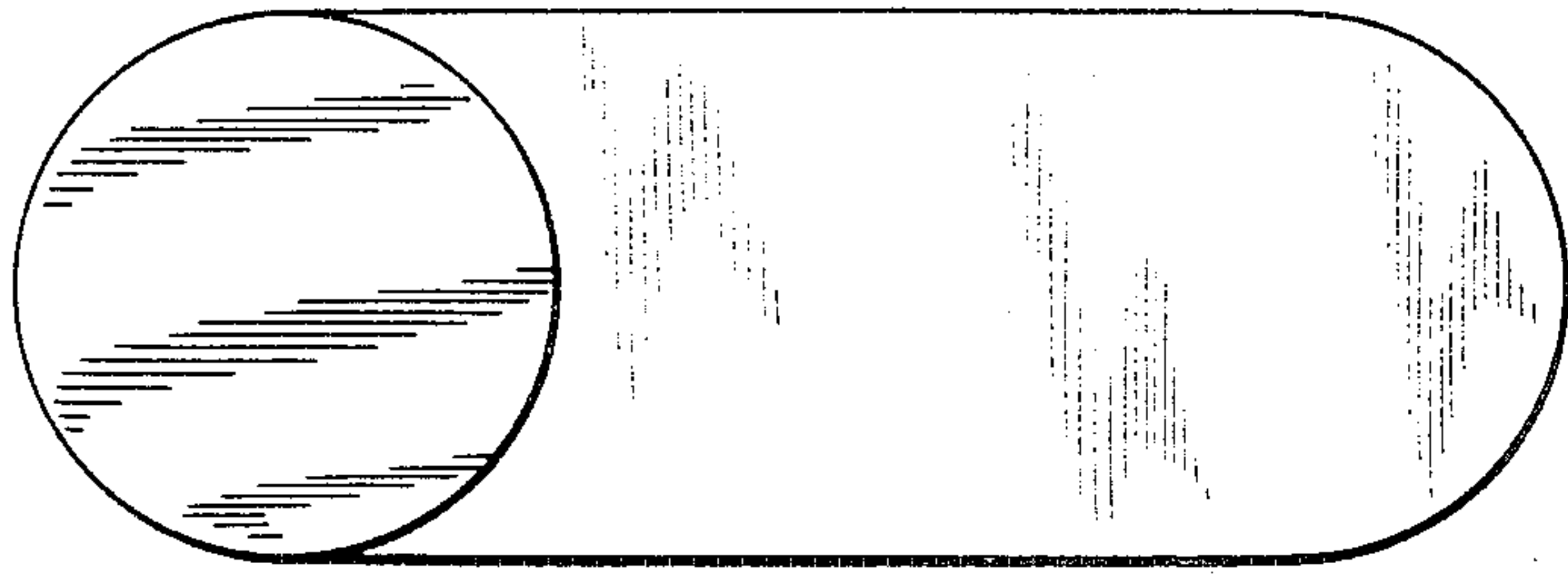


FIG. 2

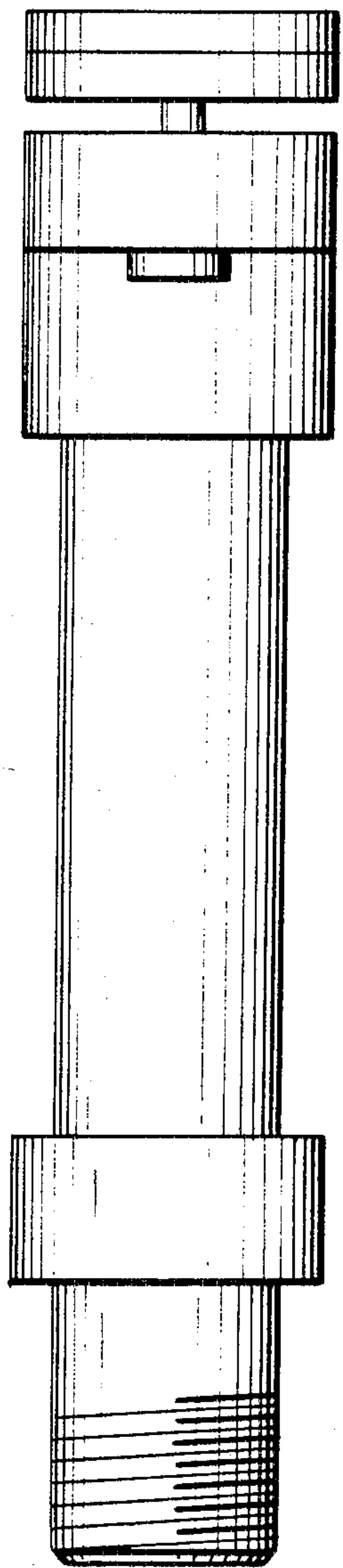
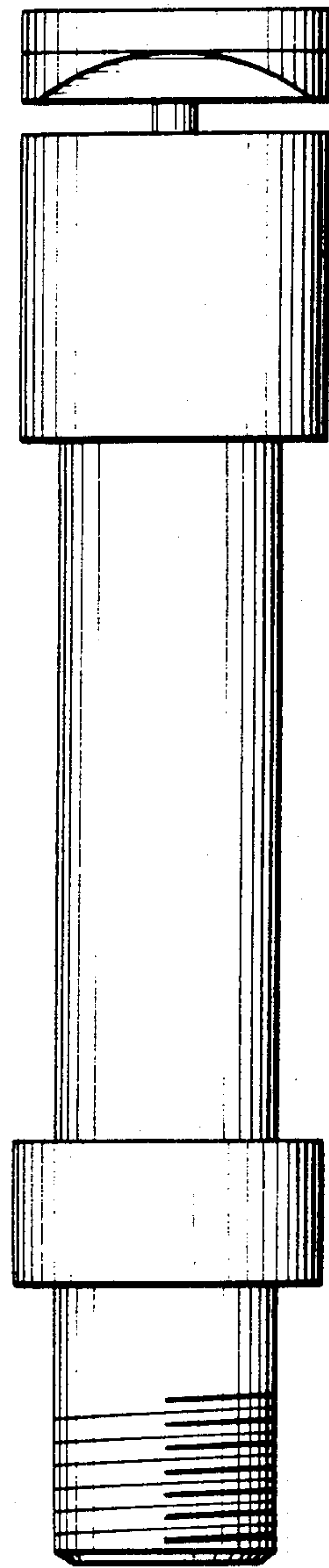


FIG. 3

*FIG. 4*



*FIG. 5*

