

[54] ROLLER SKATE

[56] References Cited

[75] Inventor: Reuben B. Klamer, Los Angeles, Calif.

U.S. PATENT DOCUMENTS

- D. 106,323 10/1937 Norman D21/226
- D. 180,333 5/1957 Jones et al. D21/226
- D. 191,363 9/1961 Williams D21/226

[73] Assignee: The Quaker Oats Company, Chicago, Ill.

Primary Examiner—Charles A. Rademaker
Attorney, Agent, or Firm—Cushman, Darby & Cushman

[**] Term: 14 Years

[57] CLAIM

[21] Appl. No.: 862,422

The ornamental design for a roller skate, as shown and described.

[22] Filed: May 7, 1986

DESCRIPTION

Related U.S. Application Data

- [62] Division of Ser. No. 547,648, Nov. 1, 1983.
- [52] U.S. Cl. D21/226
- [58] Field of Search D21/226, 227;
280/11.12, 11.19, 11.20, 11.27, 11.28

FIG. 1 is a top plan view of a roller skate showing my new design.
 FIG. 2 is a left side elevational view thereof;
 FIG. 3 is a bottom plan view thereof;
 FIG. 4 is a rear elevational view thereof;
 FIG. 5 is a right side elevational view thereof;
 FIG. 6 is a front elevational view thereof.

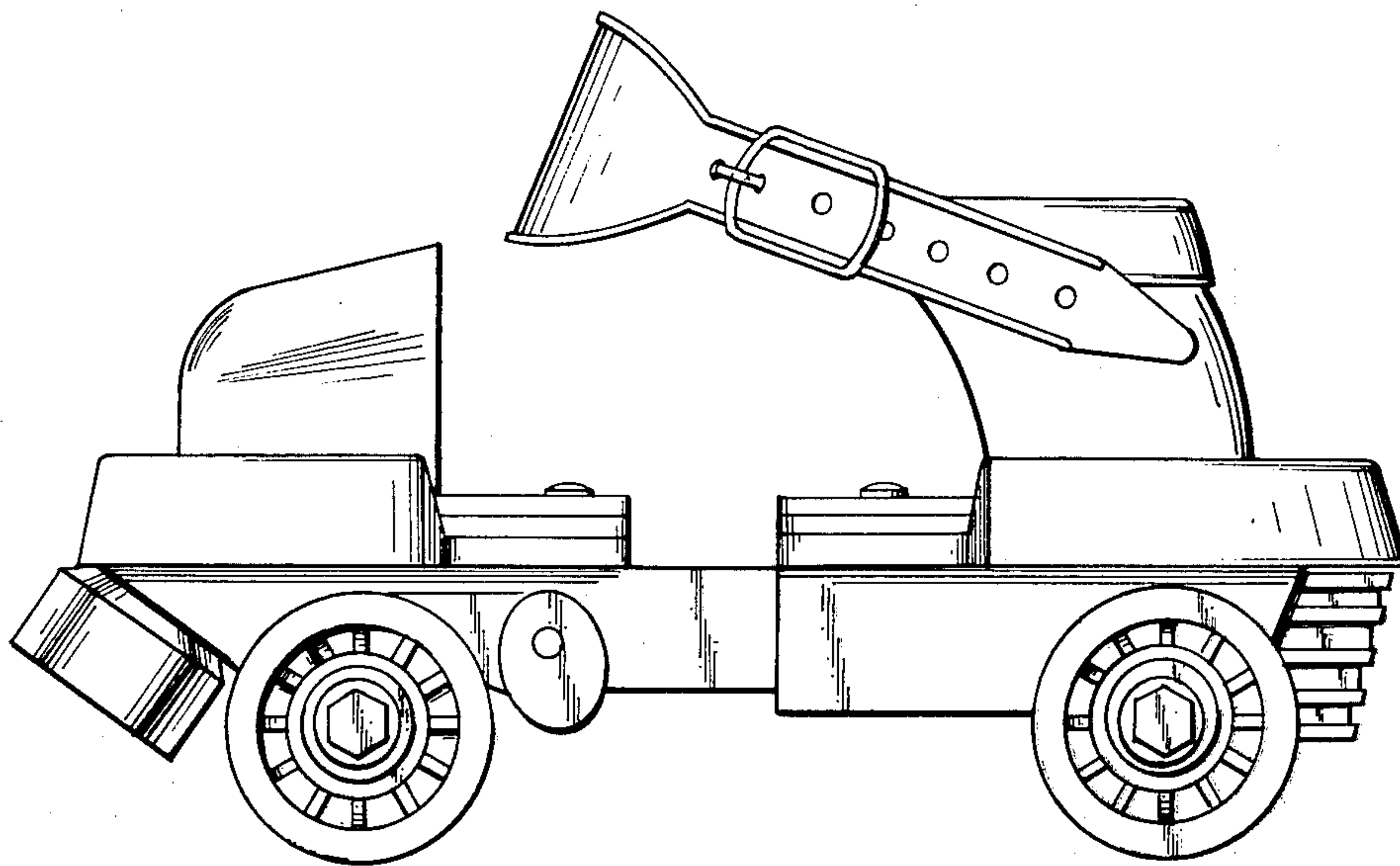


Fig. 1

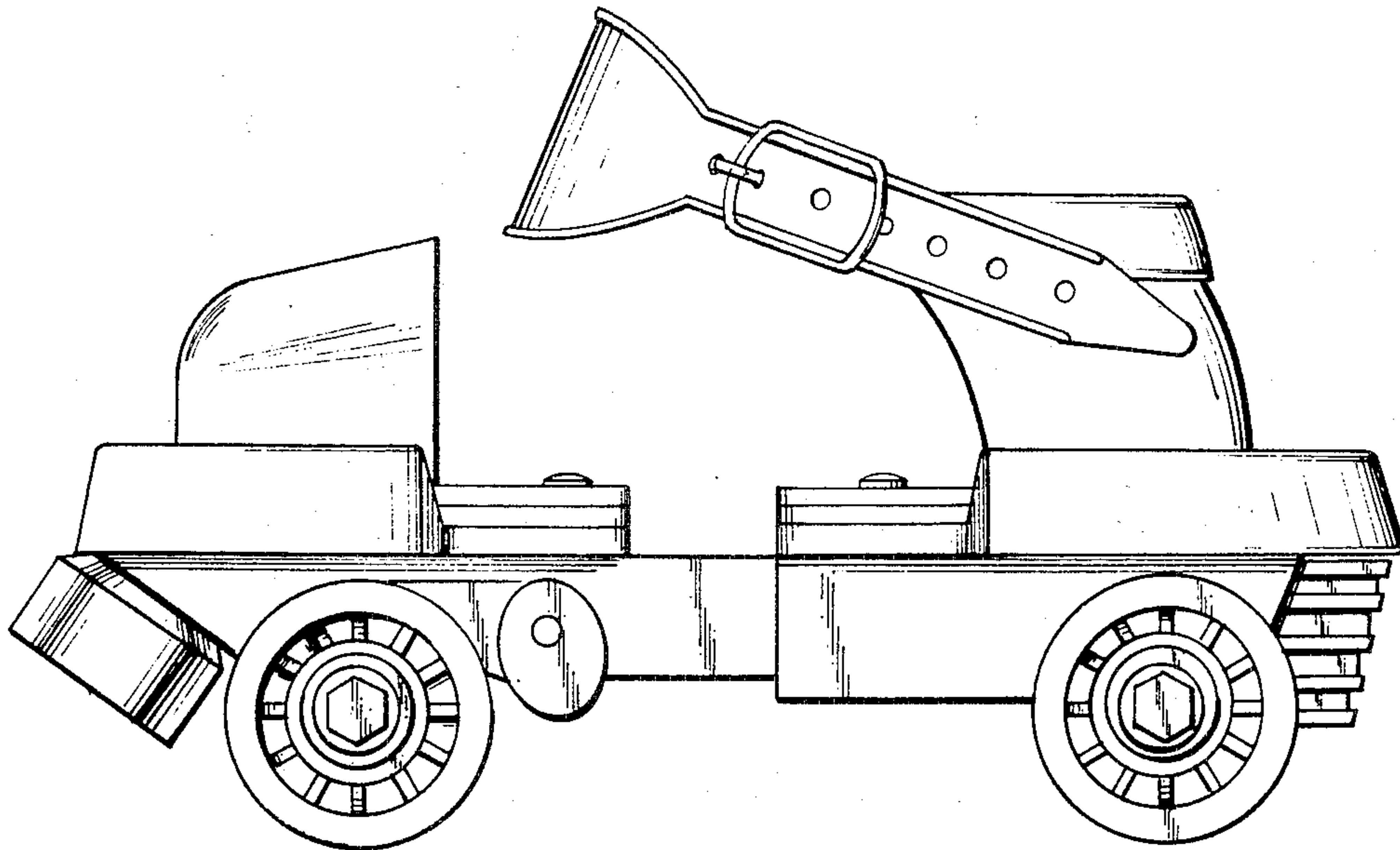
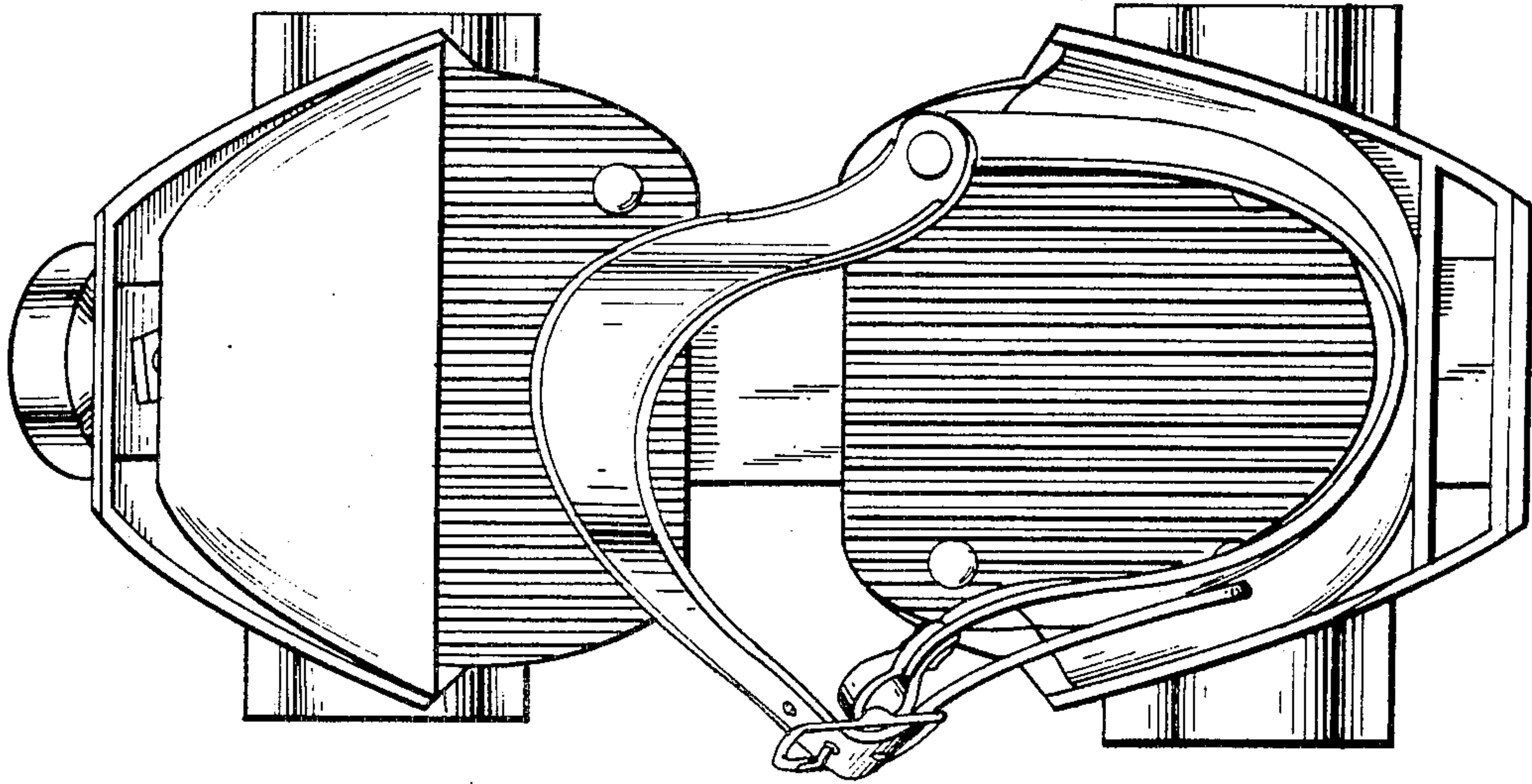


Fig. 2

Fig. 3

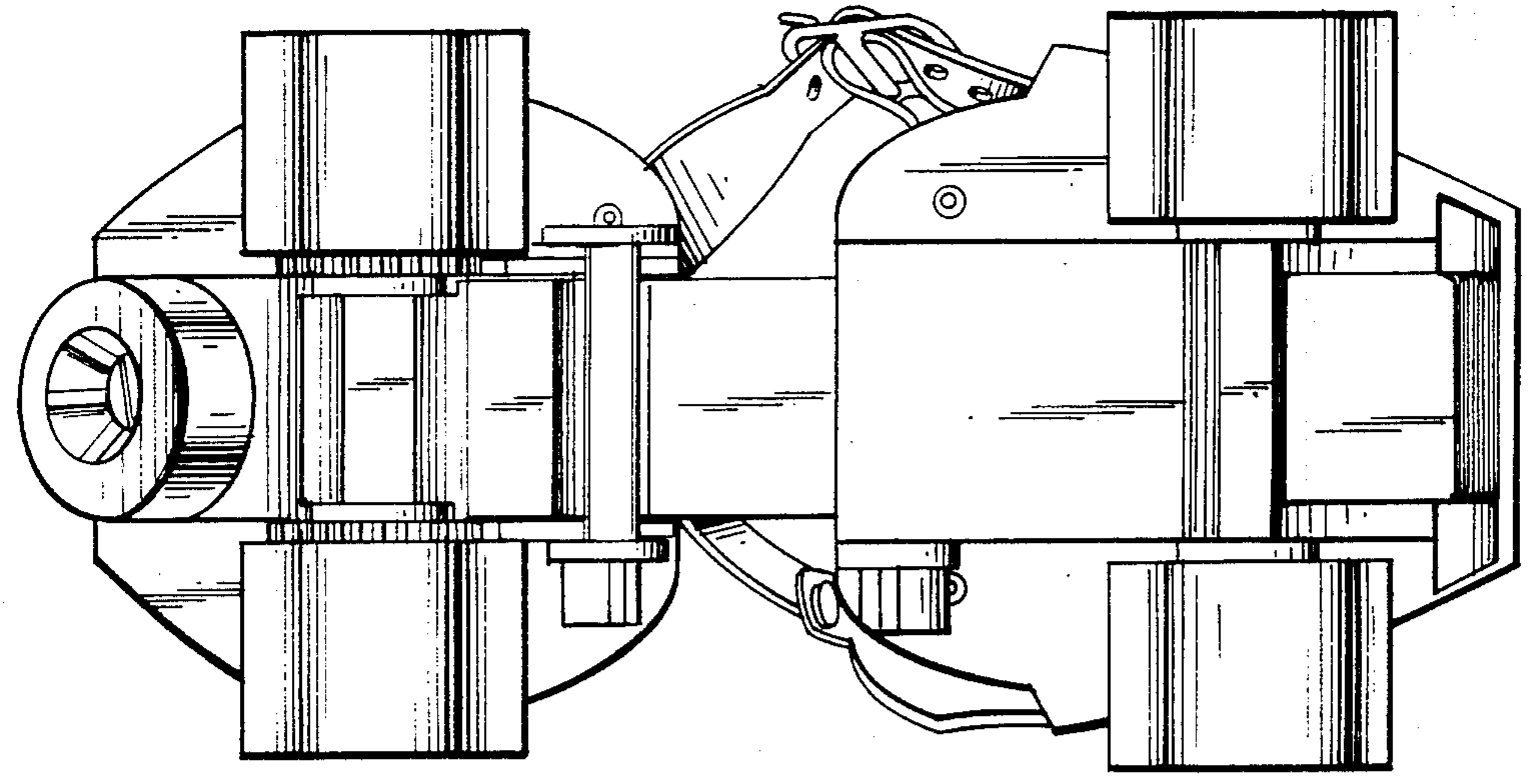


Fig. 4

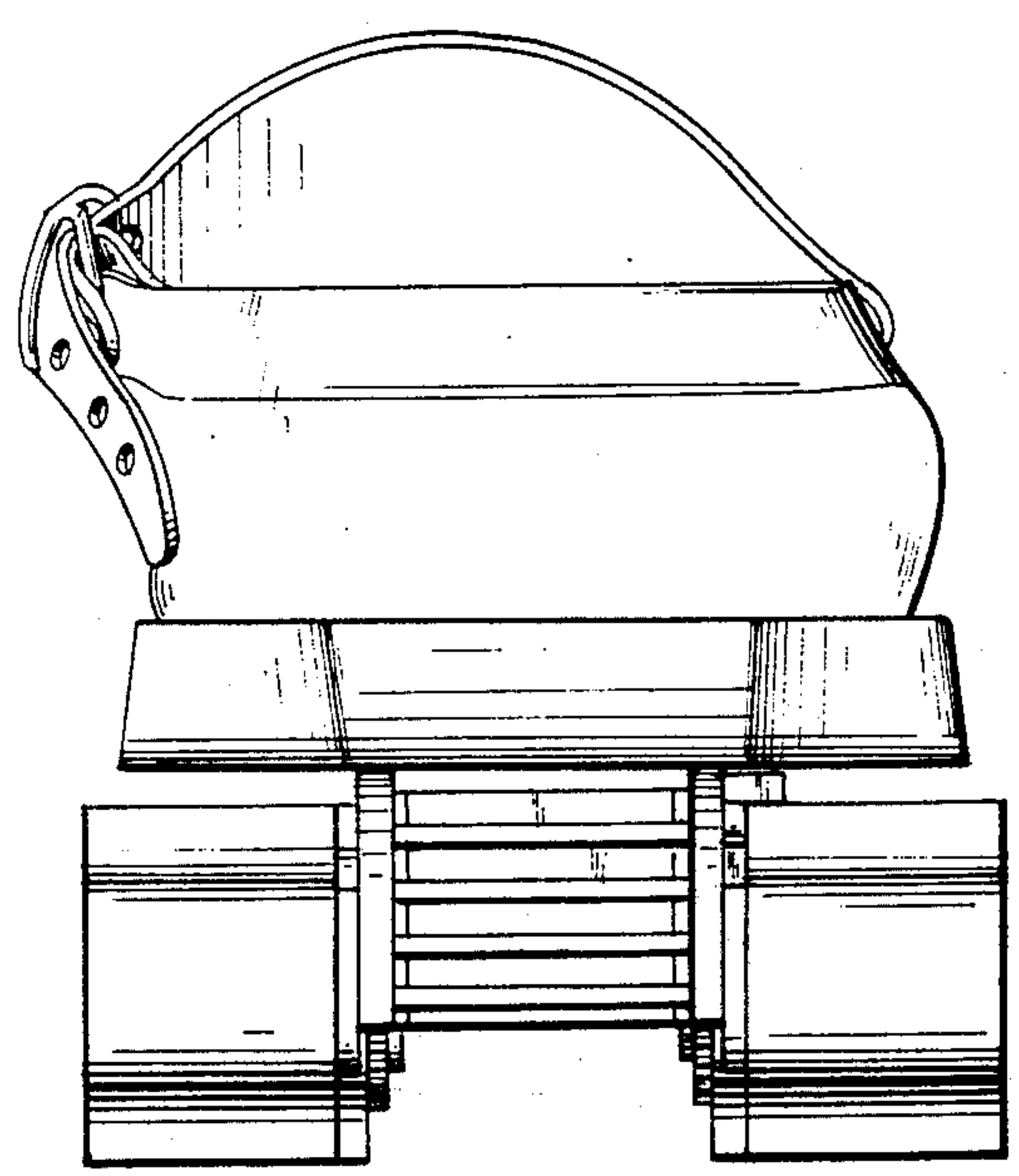


Fig. 5

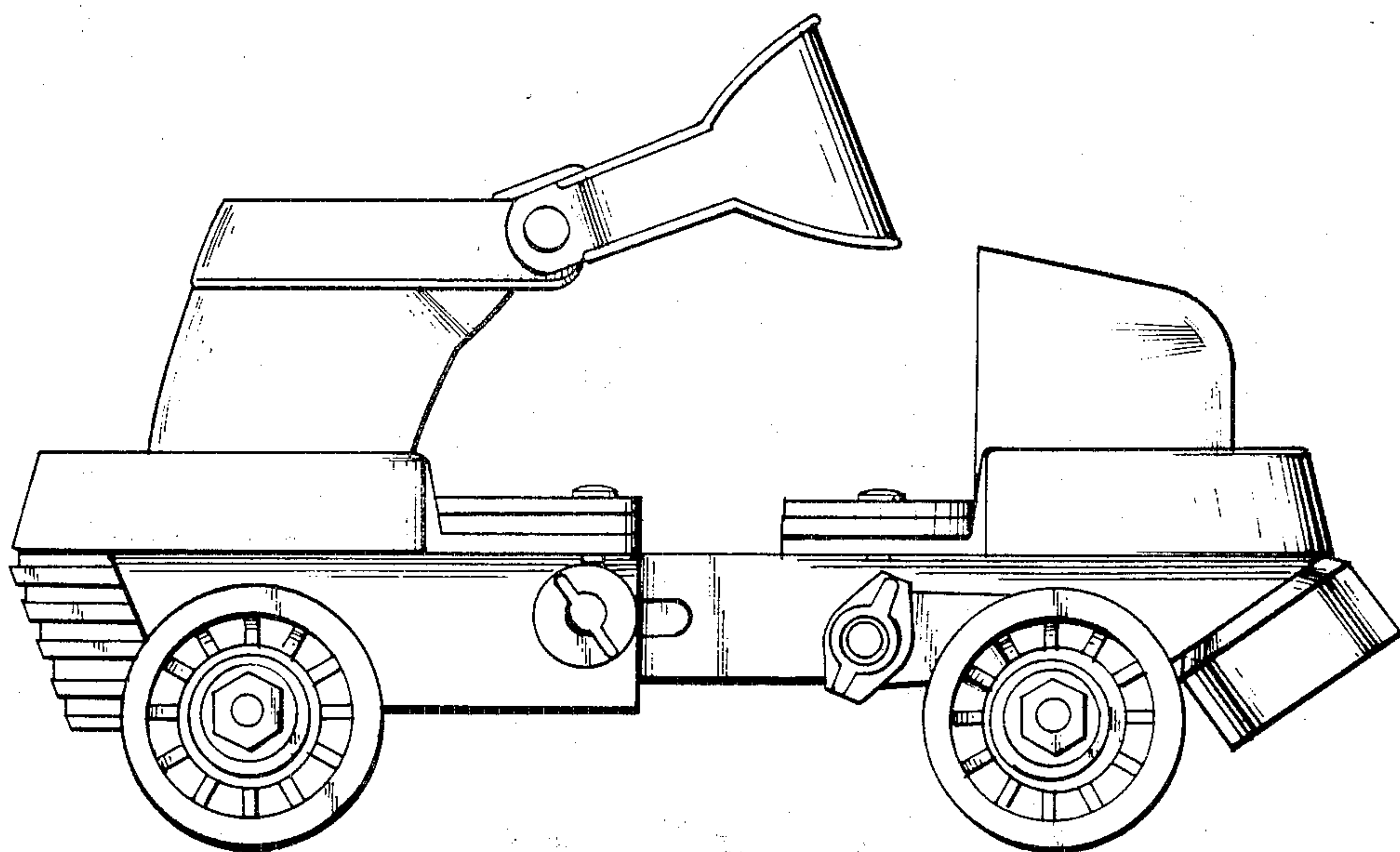


Fig. 6

