

[54] **BUG FIGURE**

[76] **Inventors:** Stephen B. Forbes, P.O. Box 994,
Derry, N.H. 03038; Marlene A.
Winch, 426 Beacon St., Manchester,
N.H. 03104

[**] **Term:** 14 Years

[21] **Appl. No.:** 653,883

[22] **Filed:** Sep. 25, 1984

[52] **U.S. Cl.** D21/155; D21/185

[58] **Field of Search** D21/155, 148, 185;
D11/158; 446/268

[56] **References Cited**

U.S. PATENT DOCUMENTS

D. 230,490 2/1974 Bass D21/155
D. 272,894 3/1984 Kodaka D21/185

Primary Examiner—Melvin B. Feifer
Attorney, Agent, or Firm—Pearson & Pearson

[57] **CLAIM**

The ornamental design for a bug figure, substantially as shown and described.

DESCRIPTION

FIG. 1 is a perspective view of a bug figure showing our new design;
FIG. 2 is a side elevational view of a bug figure with the other side being a mirror image thereto;
FIG. 3 is a bottom plan view of a bug figure;
FIG. 4 is a top plan view of a bug figure;
FIG. 5 is a front view of a bug figure;
FIG. 6 is a rear view of a bug figure.

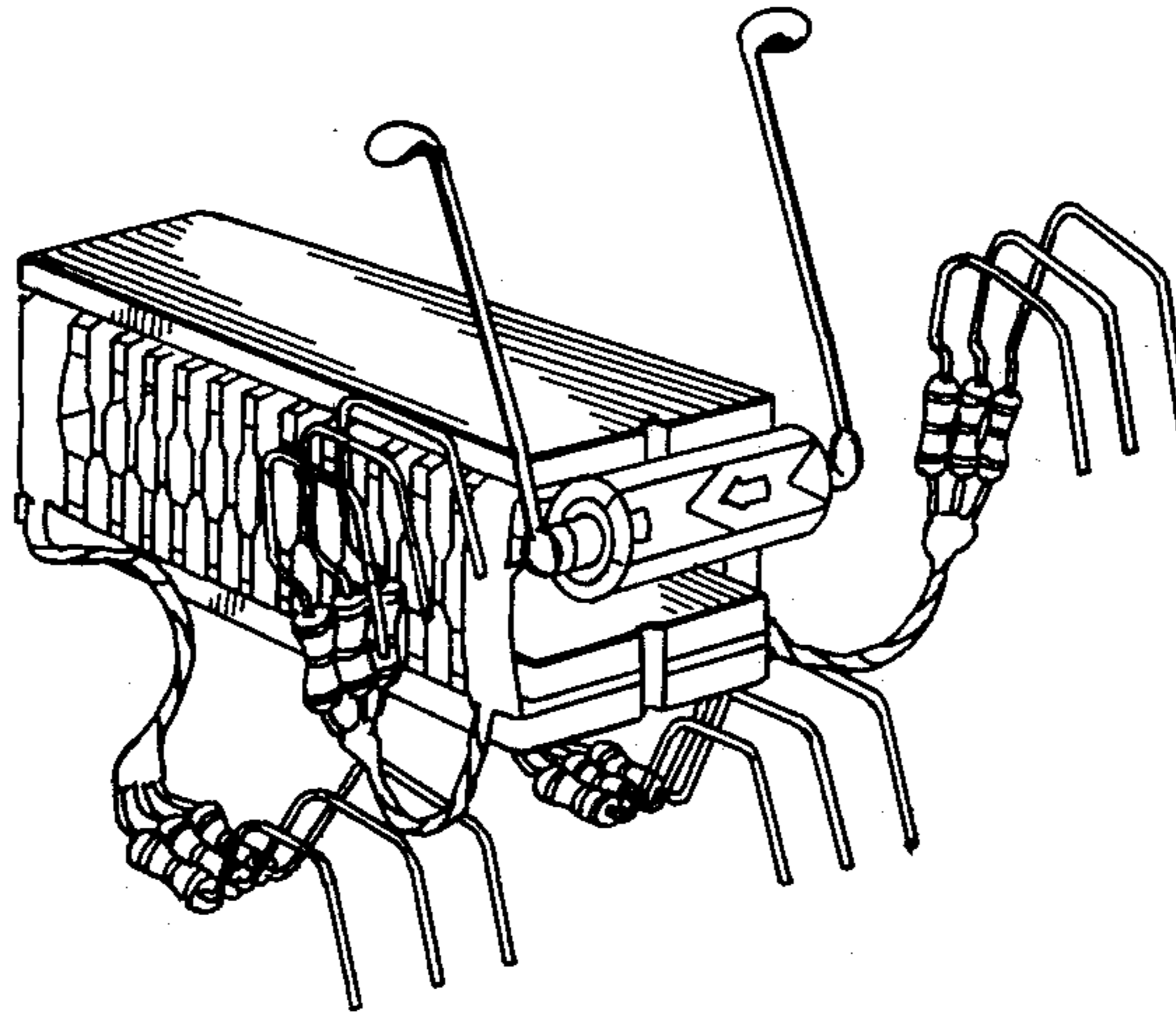


Fig. 1

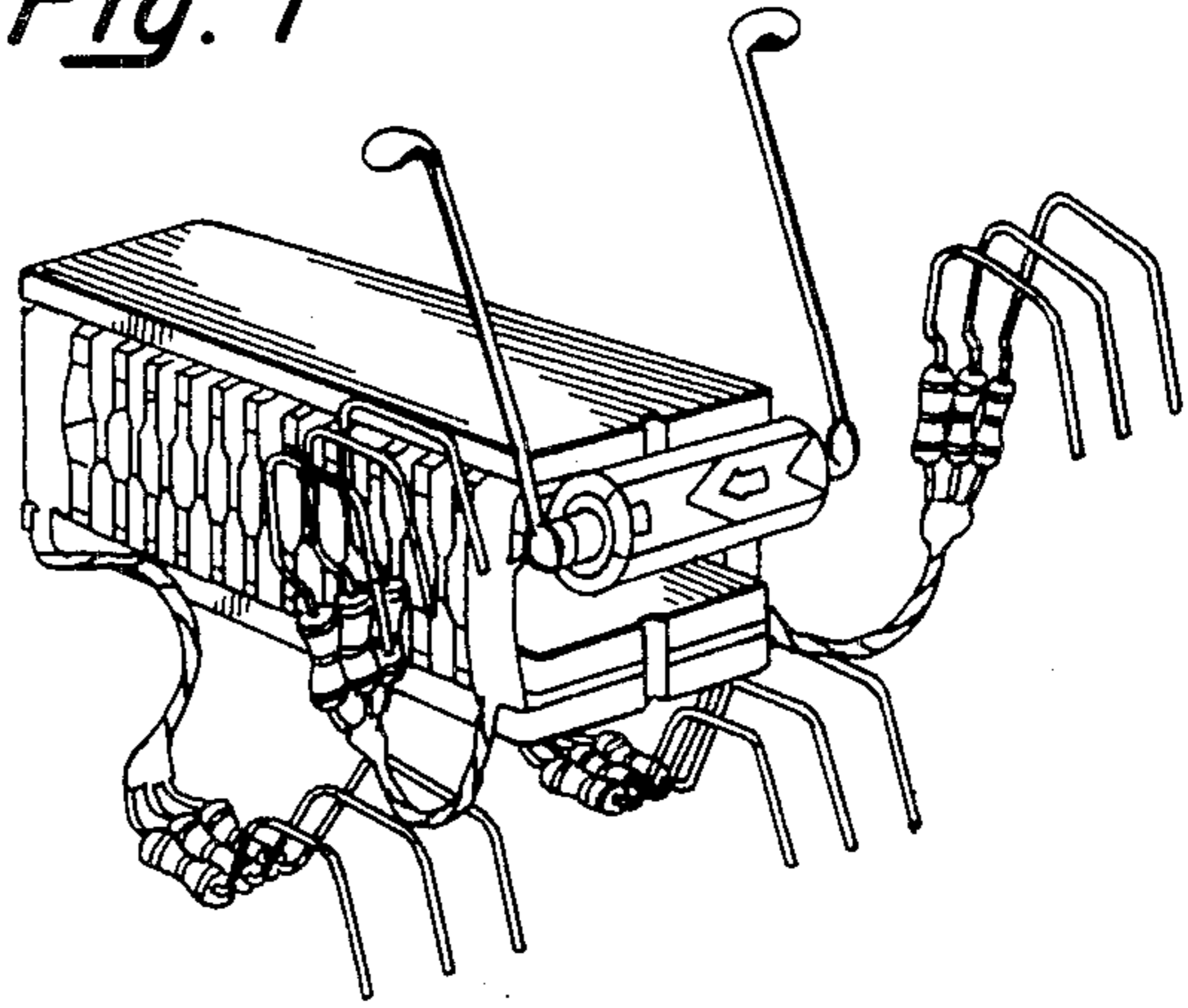


Fig. 2

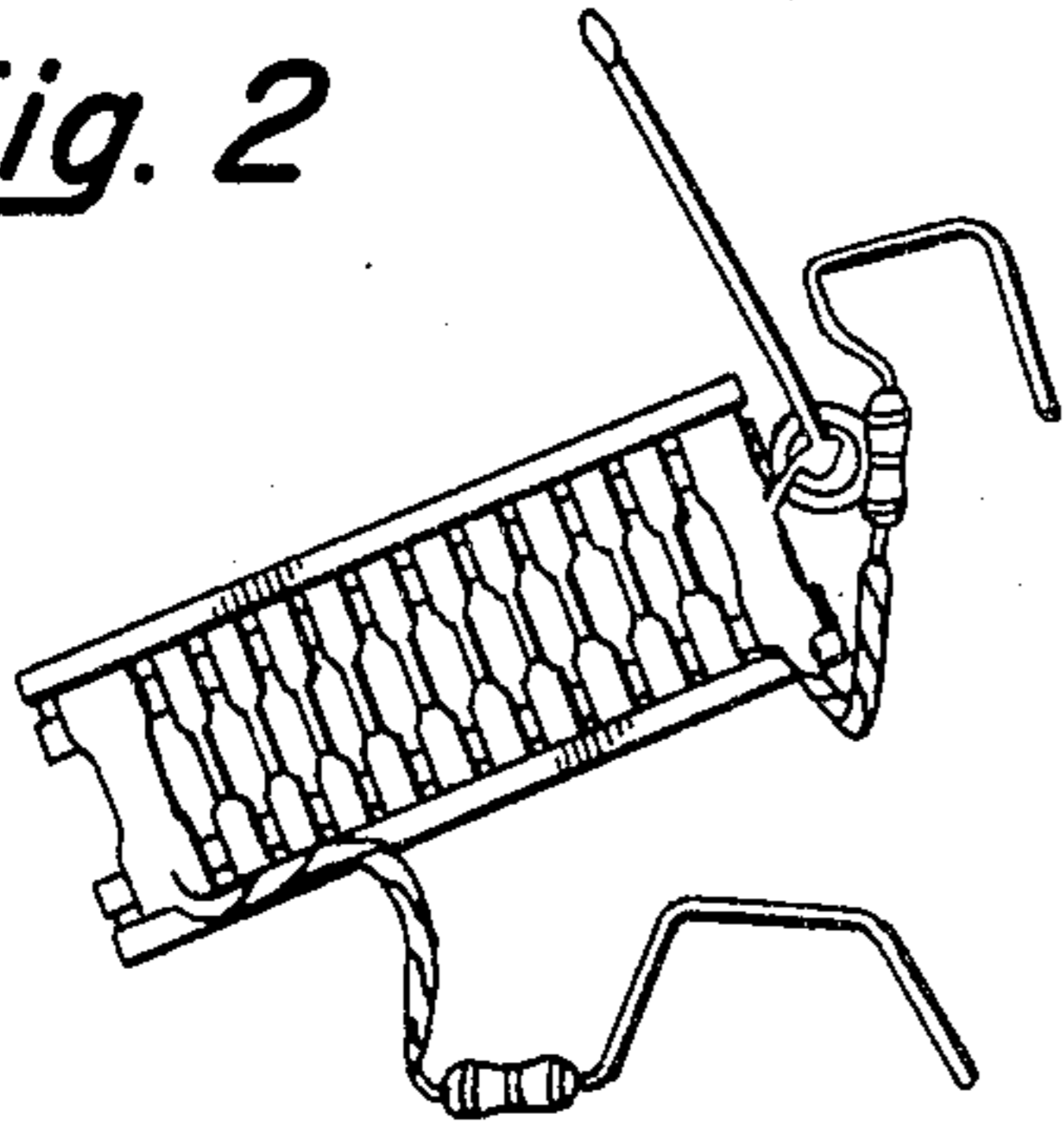


Fig. 3

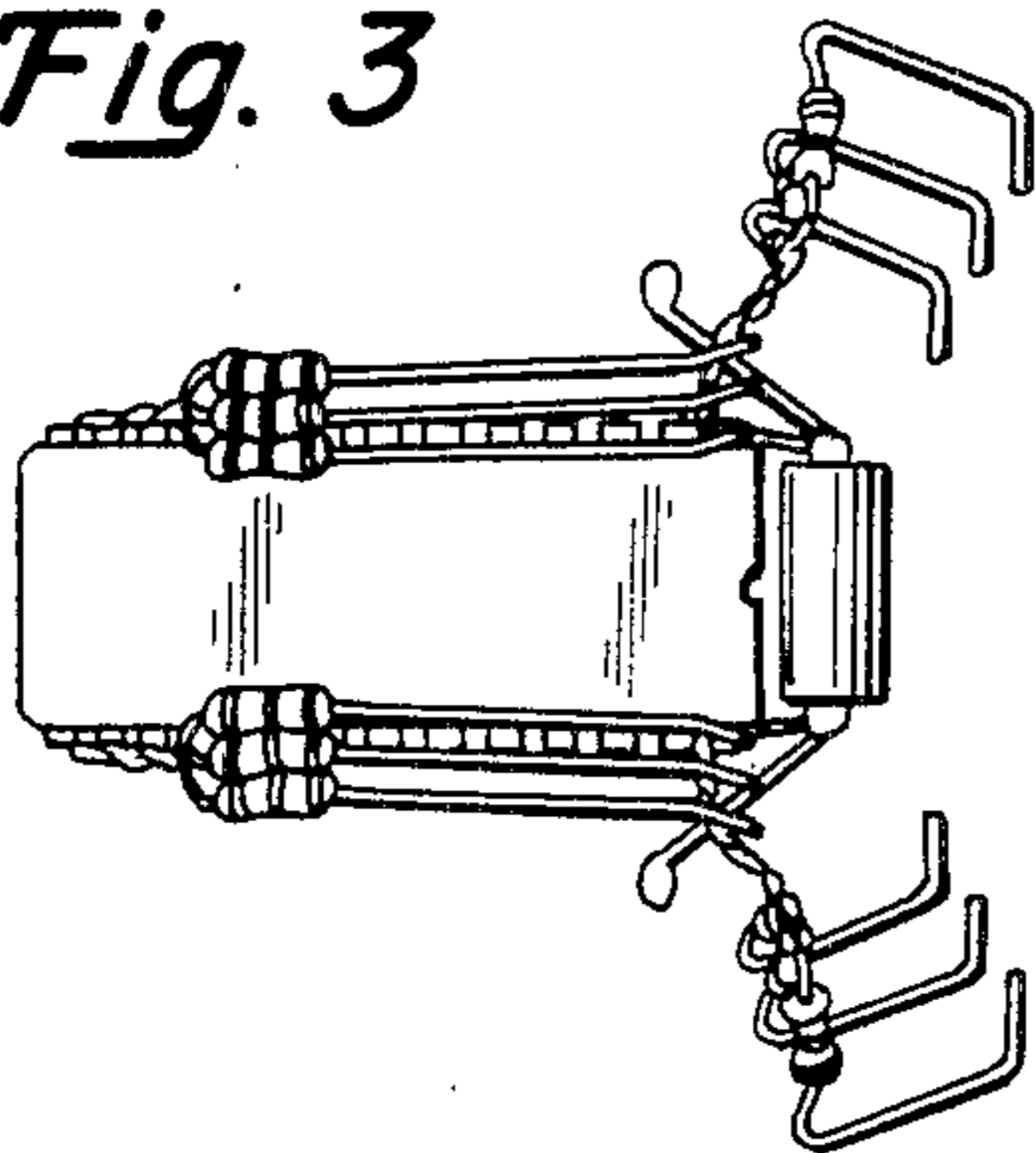


Fig. 4

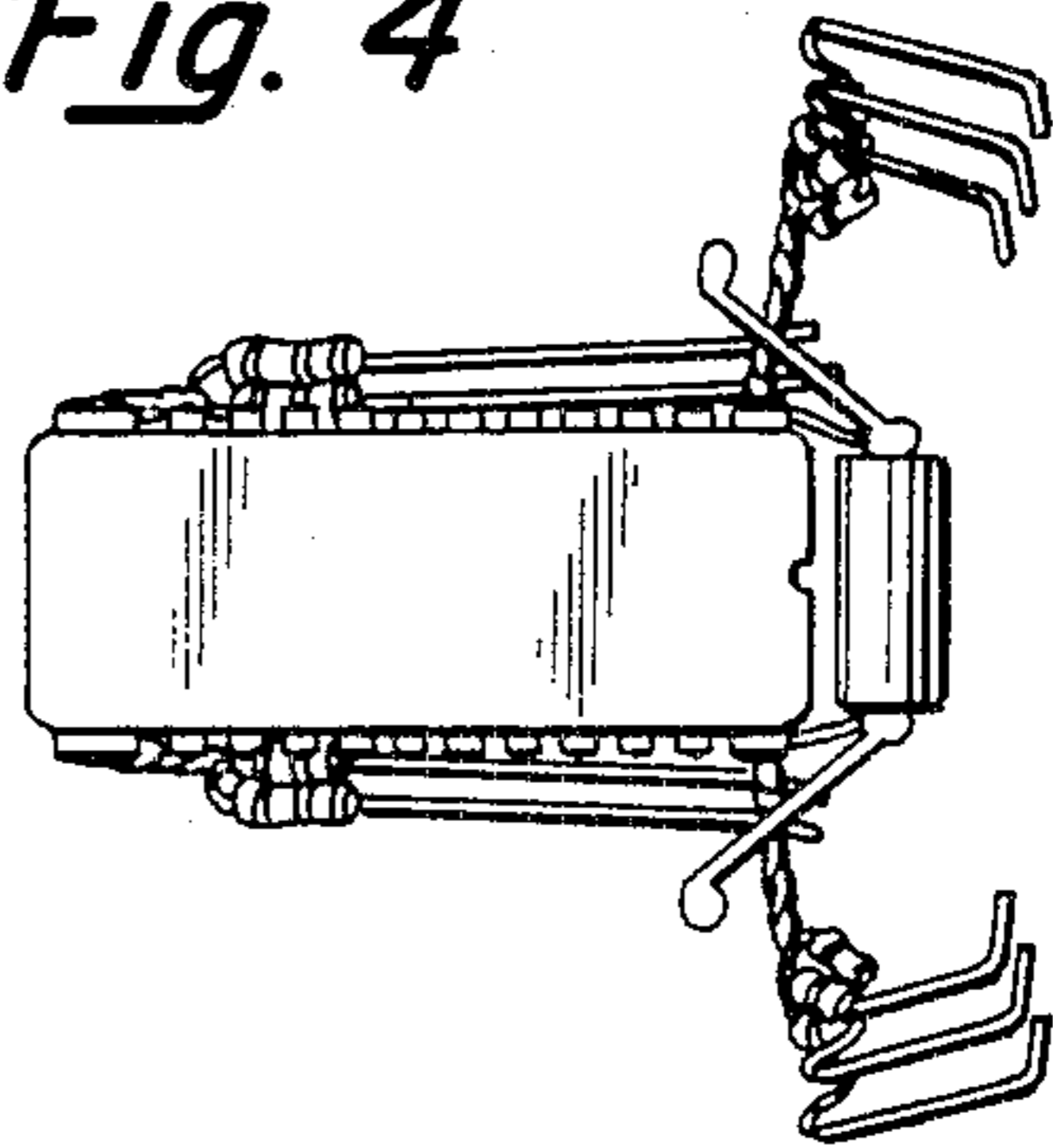


Fig. 5

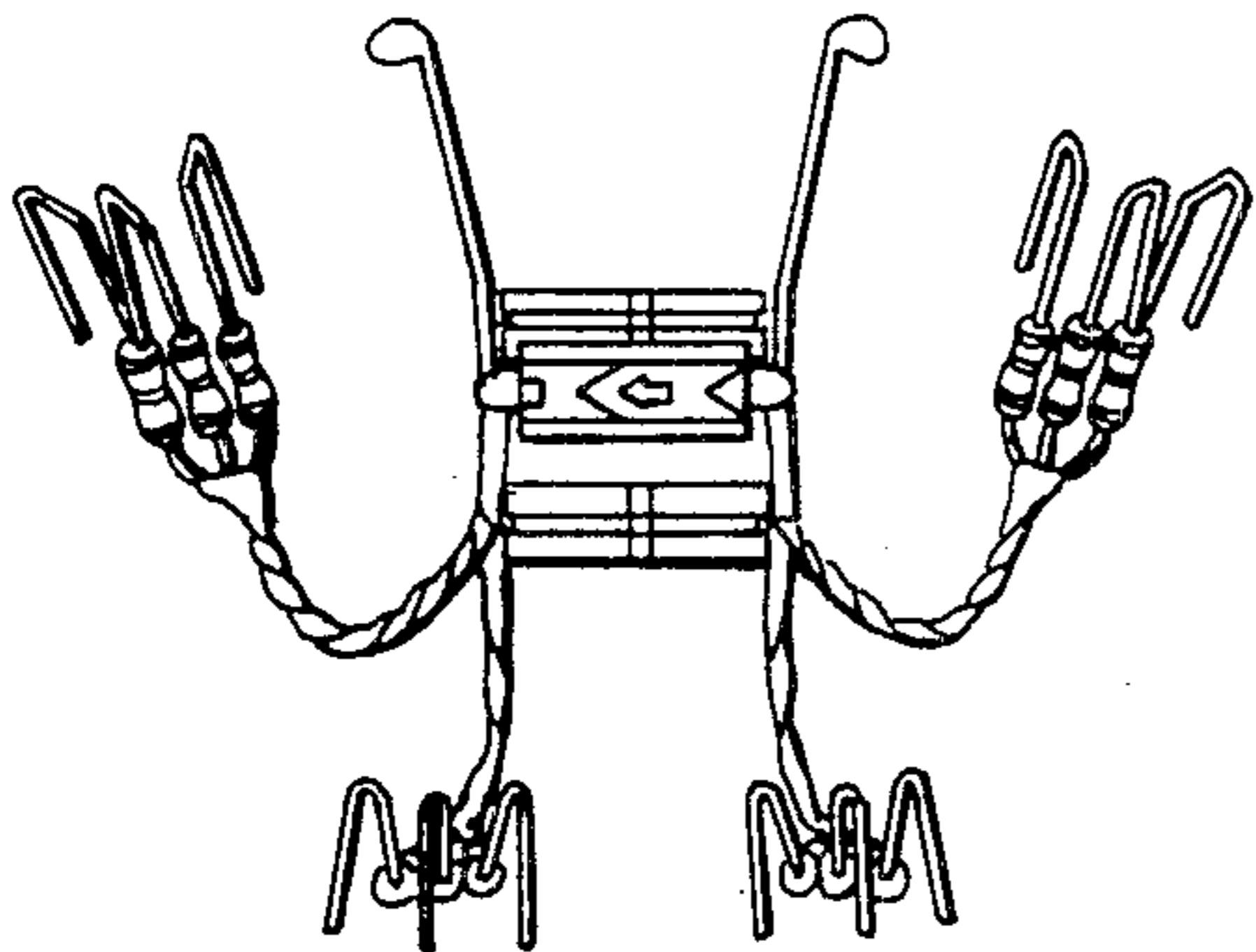


Fig. 6

